



3M™ DBI-SALA® Wall Mount Davit Base

User Instructions

Form Number: 5903663, Revision: F

This product is certified to or conforms with the following standards and regulations. Certification and conformance may be restricted to individual product models or applications. For more information, see *Certifications*.

- OSHA 29 CFR 1910.140, 1926.502
- EN 795:2012 (Type A)
- CEN/TS 16415:2013 (Type A)
- EN 1496:2006 (Clause 4.6)
- AS/NZS 5532:2013

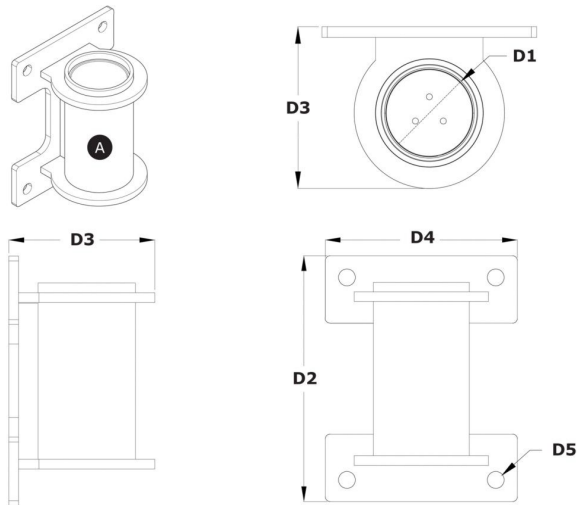
⚠WARNING:

For identification of product codes, refer to the product specification tables. See the Product Overview for more product information.

Some components may not be certified individually and may require assembly to meet certification requirements.

Figure 1 - Product Overview

Model	Style	D1	D2	D3	D4	D5	Product Weight
8000101	A	4.0 in. (10.2 cm)	12.75 in. (32.4 cm)	7.5 in. (19.0 cm)	10.0 in. (25.4 cm)	0.88 in. (22.2 mm)	34.0 lb. (15.7 kg)
8000102	A	4.0 in. (10.2 cm)	12.75 in. (32.4 cm)	7.5 in. (19.0 cm)	10.0 in. (25.4 cm)	0.88 in. (22.2 mm)	34.0 lb. (15.7 kg)



Safety Information

Please read, understand, and follow all safety information contained in these instructions, prior to the use of this product. FAILURE TO DO SO COULD RESULT IN SERIOUS INJURY OR DEATH.

These instructions must be provided to the user of the equipment. Retain these instructions for future reference.

Safety Information

Form: 5908277, Revision: B

Intended Use

This product is used as part of a complete Fall Protection system.

Use in any other application including, but not limited to, non-approved material handling, recreational or sports related activities, or other activities not described in these instructions, is not approved by 3M and could result in serious injury or death.

This product is only to be used by trained users in workplace applications.

Warning

This product is used as part of a complete Fall Protection system.

All users must be fully trained in the safe installation and operation of their complete Fall Protection system. Misuse of this product could result in serious injury or death. For proper selection, operation, installation, maintenance, and service, refer to all instruction manuals and manufacturer recommendations. For more information, see your supervisor or contact 3M Technical Services.

- **To reduce the risks associated with using a Confined Space Entry-Rescue System which, if not avoided, could result in serious injury or death:**
 - Inspect the product before each use and after any fall event, in accordance with the procedures specified in these instructions.
 - If inspection reveals an unsafe or defective condition, remove the product from service immediately and clearly tag it “DO NOT USE”. Destroy or repair the product as required by these instructions.
 - Any product that has been subject to fall arrest or impact force must be immediately removed from service. Destroy or repair the product as required by these instructions.
 - Ensure that Fall Protection systems assembled from components made by different manufacturers are compatible and meet all applicable Fall Protection regulations, standards, or requirements. Always consult a Competent Person before using these systems.
 - The product must only be installed as described in its instruction manuals. Installations and use outside the scope of these instruction manuals must be approved in writing by 3M.
 - Only connect Fall Protection subsystems to the designated anchorage connection points on the product.
 - Before installing, ensure that the installation methods and the product will not interfere with electric lines, gas lines, or other critical materials or systems.
 - Ensure the product is configured and installed properly for safe operation as described in these instructions.
 - Do not twist, tie, knot, or allow slack in the lifeline.
 - Do not exceed the number of allowable users specified in these instructions.
 - Use caution when installing, using, or moving the product as moving parts may create pinch points.
 - Lockout/tagout procedures must be followed when applicable.
 - Do not connect to the system while it is being transported or installed.
- **To reduce the risks associated with working at height which, if not avoided, could result in serious injury or death:**
 - Your health and physical condition must allow you to safely work at height and to withstand all forces associated with a fall arrest event. Consult your doctor if you have questions regarding your ability to use this equipment.
 - Never exceed allowable capacity of your Fall Protection equipment.
 - Never exceed the maximum free fall distance specified for your Fall Protection equipment.
 - Do not use any Fall Protection equipment that fails inspection, or if you have concerns about the use or suitability of the equipment. Contact 3M customer services with any questions.
 - Some subsystem and component combinations may interfere with the operation of this equipment. Only use compatible connections. Contact 3M customer services before using this equipment in combination with components or subsystems other than those described in these instructions.
 - Use extra precautions when working around moving machinery, electrical hazards, extreme temperatures, chemical hazards, explosive or toxic gases, sharp edges, abrasive surfaces, or below overhead materials that could fall onto you or your Fall Protection equipment.
 - Ensure use of your product is rated for the hazards present in your work environment.
 - Ensure there is sufficient fall clearance when working at height.
 - Never modify or alter your Fall Protection equipment. Only 3M, or persons authorized in writing by 3M, may make repairs to 3M equipment.
 - Before using Fall Protection equipment, ensure a written rescue plan is in place to provide prompt rescue if a fall incident occurs.
 - If a fall incident occurs, immediately seek medical attention for the fallen worker.
 - Only use a full body harness for Fall Arrest applications. Do not use a body belt.
 - Minimize swing falls by working as directly below the anchorage point as possible.
 - A secondary Fall Protection system must be used when training with this product. Trainees must not be exposed to an unintended fall hazard.
 - Always wear appropriate Personal Protective Equipment when installing, using, or inspecting the product.
 - Never work below a suspended load or worker.
 - Always maintain 100% tie-off.

Product Overview

Always ensure you are using the latest revision of your 3M instruction manual. Visit www.3m.com/userinstructions or contact 3M customer services for updated instruction manuals.

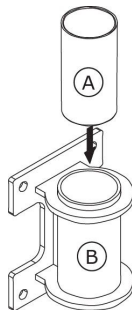
Before using this equipment, record the product information from the ID label in the 'Inspection and Maintenance Log' at the back of this manual.

Figure 1 illustrates available product models. Davit bases serve as the portion of the davit system that helps secure it to the ground. The davit is secured to the base while acting as an adjustable, movable anchorage point for the user. See the manufacturer instructions for the compatible davit or davit system for more information on system applications.

Figure 2 identifies key components of the available product models. The davit base is comprised of two pieces: a Liner (A) and a Davit Sleeve (B). The liner enables a secured davit to rotate freely inside the davit sleeve. The sleeve includes an attached mounting plate for securing the davit base to a structure.

Each product model has its own specifications as listed in Figure 1. See the product specification tables for more information.

Figure 2 - Components



Product Specification Tables

System Specifications

User Capacity:	See the manufacturer instructions for compatible davit models for more information on system capacity.
Standards:	Each product model is certified to, or conforms with, the applicable standards and regulations listed within Figure 1. If none are specified, then all standards and regulations listed on the cover apply.

Component Specifications

Figure 2 Reference	Component	Materials
A	Liner	High-Density Polyethylene
B	Davit Sleeve	8000101: Galvanized Carbon Steel
		8000102: Stainless Steel

1.0 Product Application

1.1 Purpose: Davit systems act as mobile anchorage structures for Fall Protection systems. Assembly and components will vary with the system. For more information on system applications, see the "Product Overview" and any sections about installation or use.

1.2 Supervision: Use of this equipment must be supervised by a Competent Person. Installation of this equipment must be supervised by a Competent Person. A Qualified Person must confirm that the installation meets local and federal regulations. Fasteners and davit base placement must also be approved by a Qualified Person.

1.3 Resale and Distribution: If this product is resold outside the original country of destination, the re-seller must provide these instructions in the language of the country in which the product will be used.

1.4 Training: This equipment must be installed and used by persons trained in its correct application. These instructions are to be used as part of an employee training program as required by national, regional, or local standards. It is the responsibility of the users and installers of this equipment to ensure they are familiar with these instructions, trained in the correct care and use of this equipment, and are aware of the operating characteristics, application limitations, and consequences of improper use of this equipment.

1.5 Rescue Plan: When using this equipment and connecting subsystems, the employer must have a written rescue plan and the means to implement and communicate that plan to users, authorized persons, and rescuers. A trained, on-site rescue team is recommended. Team members should be provided with the equipment and techniques necessary to perform a successful rescue. Training should be provided on a periodic basis to ensure rescuer proficiency. Rescuers should be provided with these instructions. There should be visual contact or means of communication with the person being rescued at all times during the rescue process.

2.0 System Requirements

2.1 Anchorage: The anchorage structure securing this product must be able to withstand any required loads as permitted by its Fall Protection system. See Section 4 for more information.

2.2 Capacity: The user capacity of a complete Fall Protection system is limited by its lowest rated maximum capacity component. For example, if your connecting subsystem has a capacity that is less than your harness, you must comply with the capacity requirements of your connecting subsystem. See the manufacturer instructions for each component of your system for capacity requirements.

2.3 Environmental Hazards: Use of this equipment in areas with environmental hazards may require additional precautions to prevent injury to the user or damage to the equipment. Hazards may include, but are not limited to: high heat, strong winds, chemicals, corrosive environments, high voltage power lines, explosive or toxic gases, moving machinery, sharp edges, or overhead materials that may fall and contact the user or equipment. Contact 3M customer services for further clarification.

2.4 Lifeline Hazards: Ensure the lifeline is kept free from all hazards including, but not limited to: entanglement with users, other workers, moving machinery, other surrounding objects, or impact from overhead objects that could fall onto the lifeline or users.

2.5 Component Compatibility: 3M equipment is designed for use with 3M equipment. Use with non-3M equipment must be approved by a Competent Person. Substitutions made with non-approved equipment may jeopardize equipment compatibility and may affect the safety and reliability of your Fall Protection system. Read and follow all instructions and warnings for all equipment prior to use.

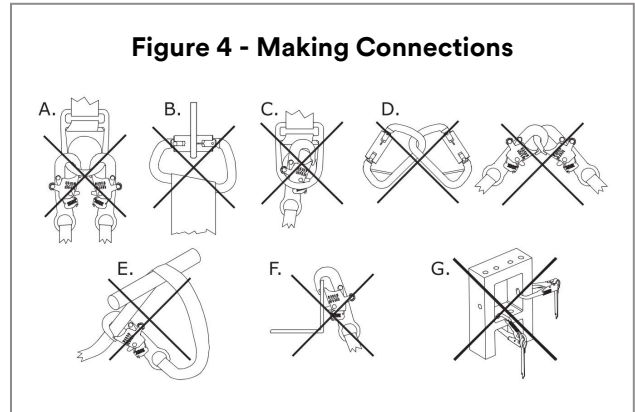
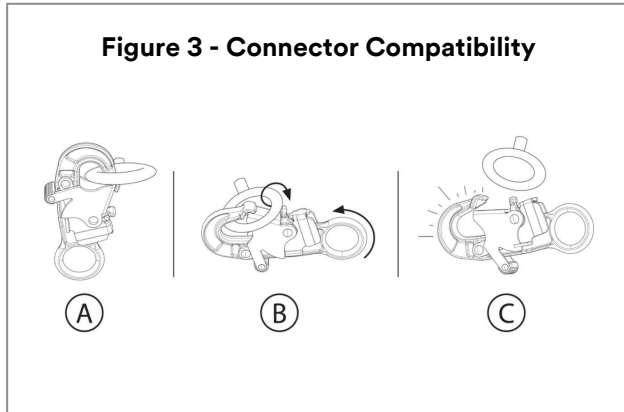
2.6 Connector Compatibility: Connectors are compatible with connecting elements when the size and shape of either component does not cause the connector to inadvertently open, regardless of orientation. Connectors must comply with applicable standards. Connectors must be fully closed and locked during use.

3M Connectors (snap hooks and carabiners) are designed to be used only as specified in each instruction manual. Ensure connectors are compatible with the system components to which they are connected. Do not use equipment that is noncompatible. Use of non-compatible components may cause the connector to unintentionally disengage. See figure for reference. If the connecting element to which a connector attaches is undersized or irregular in shape, a situation could occur where the connecting element applies a force to the gate of the connector (A). This force could then cause the gate to open (B), disengaging the connector from the connecting element (C).

2.7 Making Connections: All connections must be compatible in size, shape, and strength. See figure for examples of inappropriate connections. Do not attach snap hooks and carabiners:

- A. To a D-Ring to which another connector is attached.

- B. In a manner that would result in a load on the gate. Large-throat snap hooks should not be connected to D-Rings or other connecting elements, unless the snap hook has a gate strength of 3,600 lbf (16 kN) or greater.
- C. In a false engagement, where size or shape of the connector or connecting element is not compatible and, without visual confirmation, would seem to be fully engaged.
- D. To each other.
- E. Directly to harness webbing, lanyard leg material, or tie-back material unless such a connection is explicitly allowed for by the manufacturer instructions.
- F. To any object whose size or shape does not allow the connector to fully close and lock, or that could cause connector roll-out.
- G. In a manner that does not allow the connector to align properly while under load.



3.0 Installation

3.1 Overview: Installing a davit system can be a lengthy procedure with multiple steps. Effective planning and awareness of your worksite and your equipment are of great help in making this process move as smoothly as possible.

3.2 Planning: Plan your Fall Protection system before starting your work. Account for all factors that may affect your safety before, during, and after a fall. Consider all requirements and limitations specified in these instructions.

1. **Sharp Edges:** Avoid working where system components may be in contact with, or scrape against, unprotected sharp edges and abrasive surfaces. All sharp edges and abrasive surfaces should be covered with protective material.
2. **Compatibility:** When installing your system, it is important that you use compatible components. Each product model is compatible for use with a specific set of product models or designs.

The davit base may also receive any davit mast extensions that are compatible with the listed davits.

Compatible Davit Models	Davit User Instruction
8000107	5908417
8000108	5908417
8000130	5908364
8000131	5908364

3.3 Installing the Davit Base: Install the davit base per the instructions provided for your product model.

The surface of the anchorage structure should be cleared of any debris before installing the davit base.

A. Wall Mount Davit Base: The davit base must be prepared before use.

1. **Prepare the location.** Select an appropriate mounting surface to install the davit base, then determine where the base should be installed. There must be enough setback from the edge (A) and material thickness (B) to support the strength requirements for your structure and system. Mark and then drill all mounting holes to the fastener manufacturer's recommended diameter and depth.

The davit base must be installed on a flat, vertical surface.

2. **Place the davit base.** Align the holes in the mounting plate with the drilled holes. The davit base must be positioned within plus-or-minus 1 degree from vertical.
3. **Secure the davit base.** Secure the davit base using the selected fasteners, as specified in the fastener manufacturer's instructions.

Figure 6 - Installing the Wall Mount Davit Base

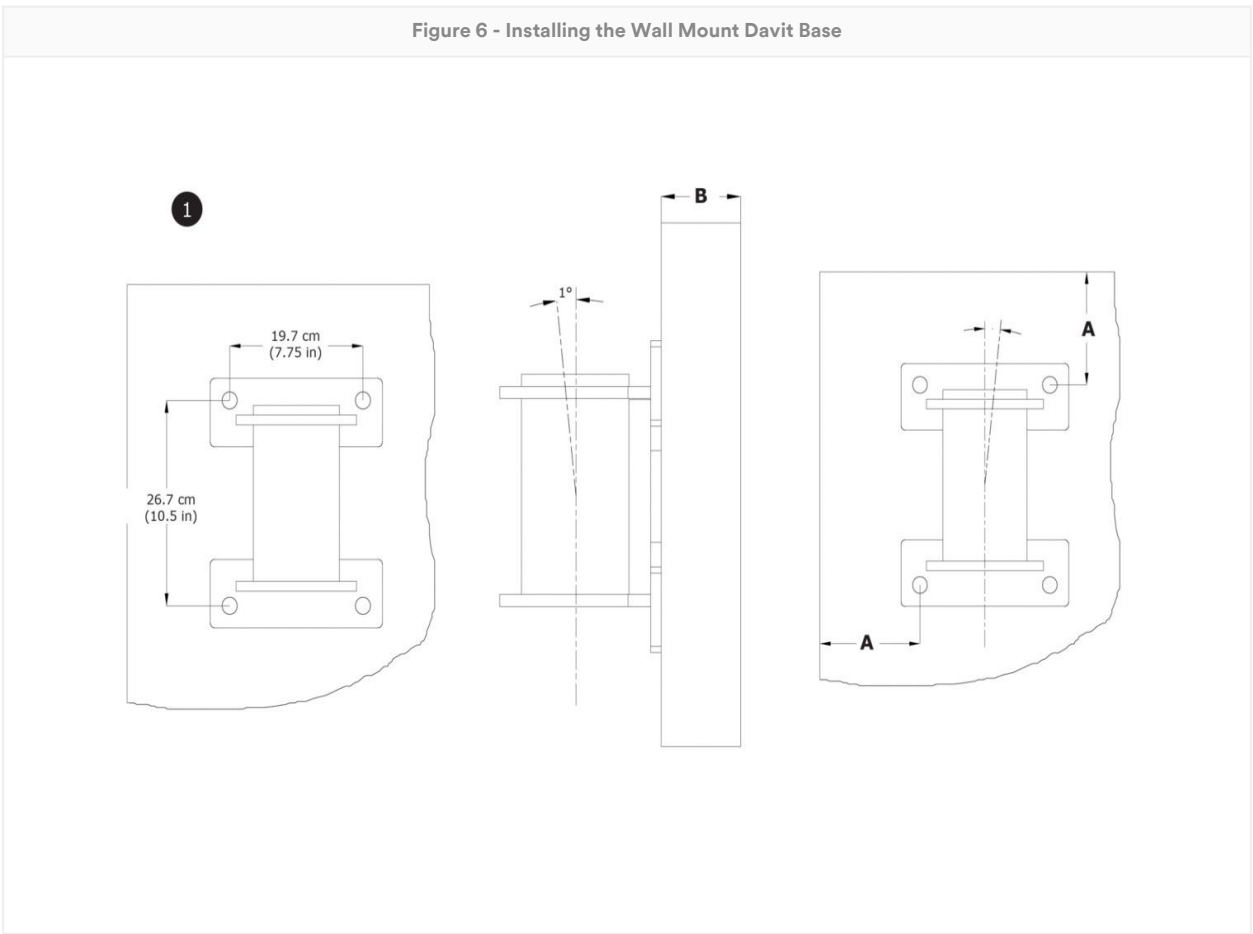
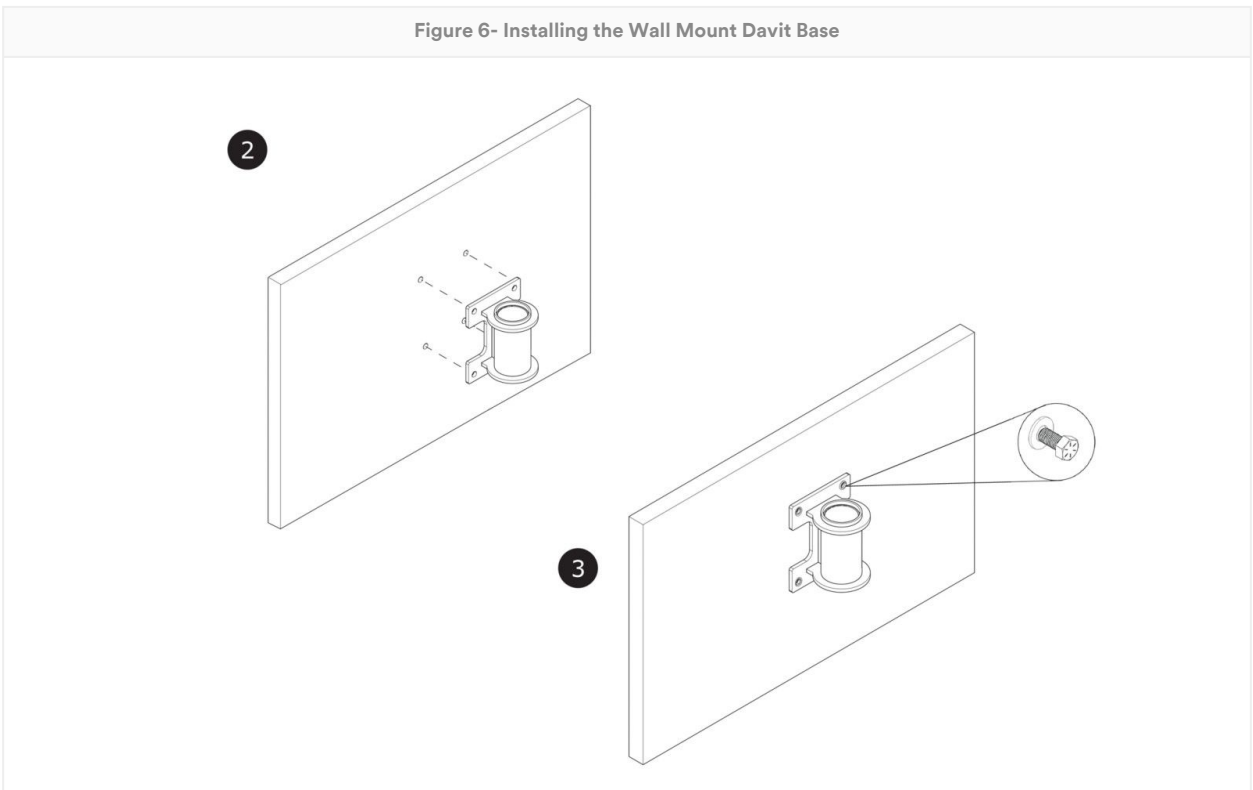


Figure 6- Installing the Wall Mount Davit Base



3.4 Securing the Davit: After the davit base has been installed, the user may secure the davit arm or mast to the base. The davit should be secured to the mounting post or inside the sleeve of the davit base, as applicable for the davit base you are using. Verify that the davit is secure and that any guides or locking pins are used appropriately. See the manufacturer's instructions for your davit or davit system for more information.

4.0 Use

4.1 Before Each Use: Verify that your work area and Fall Protection system meet all criteria defined in these instructions. Verify that a formal Rescue Plan is in place. Inspect the product per the ‘User’ inspection points defined in the “Inspection and Maintenance Log”. If inspection reveals an unsafe or defective condition, or if there is any doubt about its condition for safe use, remove the product from service immediately. Clearly tag the product “DO NOT USE”. See Section 5 for more information.

4.2 Anchorage: In addition to product capacity, any fall protection system must take into account the strengths of any supporting structures or components.

1. **Anchorage Structure:** The anchorage structure securing this product must be able to withstand the required loads, as permitted by this product’s fall protection system.

Moment Load	136,400 in-lb. (15.41 kN*m)
--------------------	-----------------------------

2. **Anchorage Connection Points:** Anchorage connection points used with the product must be able to withstand any loads applied by the product.
3. **Fasteners:** Any fasteners securing the product in place must be strong enough to keep the product secured during use. See the fasteners’ manufacturer instructions for more information.

Fastener Pullout Force	8,000 lbf (35.59 kN)
Shear Strength per Fastener	5,000 lbf (22.2 kN)

4.3 After a Fall: If this equipment is subjected to fall arrest or impact force, remove it from service immediately. Clearly tag it “DO NOT USE”. See Section 5 for more information.

4.4 Material Handling: 3M permits use of this product for material handling as directed. Local regulations or standards may have additional restrictions or may regulate using fall protection equipment for material handling.

⚠CAUTION:

This product must be used with a compatible davit in order to be used for material handling. Never secure a material load directly onto the davit base.

Before securing your material load, verify that it has been prepared for transport.

Never secure this product to materials and users simultaneously.

Product used for material handling must be inspected by a Competent Person before its next use. Local regulations or standards may restrict switching between personnel use and material handling.

1. **Secure the davit.** Secure the davit to the davit base as specified in its user instructions.
2. **Secure a connecting subsystem to the davit.** See the manufacturer instructions for your davit for more information.
3. **Secure the lifeline to your material load.** Lower or raise the material load as necessary.

Material Handling Capacity

750 lb. (340 kg)

5.0 Inspection

After equipment has been removed from service, it may not be returned to service until a Competent Person confirms in writing that it is acceptable to do so.

5.1 Inspection Frequency: The product shall be inspected before each use by the user and, additionally, by a Competent Person other than the user at the intervals specified below. A higher frequency of equipment use and harsher conditions

may require increasing the frequency of Competent Person inspections. The frequency of these inspections should be determined by the Competent Person per the specific conditions of the worksite.

Applicable Standard or Region	Required Frequency of Competent Person Inspections
ANSI and OSHA	Once every year
EN Standards	Once every year
AS/NZS	Once every year

5.2 Inspection Procedures: Inspect this product per the procedures listed in the “Inspection and Maintenance Log”. Documentation of each inspection should be maintained by the owner of this equipment. An inspection and maintenance log should be placed near the product or be otherwise easily accessible to users. It is recommended that the product is marked with the date of next or last inspection.

5.3 Defects: If the product cannot be returned to service because of an existing defect or unsafe condition, then the product must be either destroyed or sent to 3M or a 3M-authorized service center for repair.

5.4 Product Life: The functional life of the product is determined by work conditions and maintenance. As long as the product passes inspection criteria, it may remain in service.

6.0 Maintenance, Storage, and Repair

Equipment that is in need of maintenance or scheduled for maintenance should be tagged “DO NOT USE”. These equipment tags should not be removed until maintenance is performed.

6.1 Cleaning: Periodically clean the metal components of the product using warm water and a mild soap solution. Rinse the product with clean water, then allow it to air dry. For more information, please refer to the technical bulletin on our website: <https://www.3M.com/FallProtection/Mechanical-Device-Cleaning>

6.2 Repair: Only 3M or parties authorized in writing by 3M may make repairs to this equipment.

6.3 Storage and Transport: Store and transport the product in a cool, dry, clean environment out of direct sunlight. Avoid areas where chemical vapors may exist. Thoroughly inspect components after extended storage.

Bases that are permanently installed should not leave the work location. Other components may be removed from these bases for storage or transport, but the base will have to remain.

⚠WARNING:

Sudden transitions between warm and extremely cold environments could affect the performance of your equipment. Mechanical devices (such as self-retracting devices, winches, retrieval devices, climbing sleeves, etc.) should be adapted for use in extreme cold or heat by storing them in temperatures similar to the work environment. Always perform a pre-use inspection of your equipment in its work environment before using it.

7.0 Labels and Markings

7.1 Summary: The "Product Labels" figure illustrates labels and markings present on the product. See below for a summary of information provided with each label and marking.

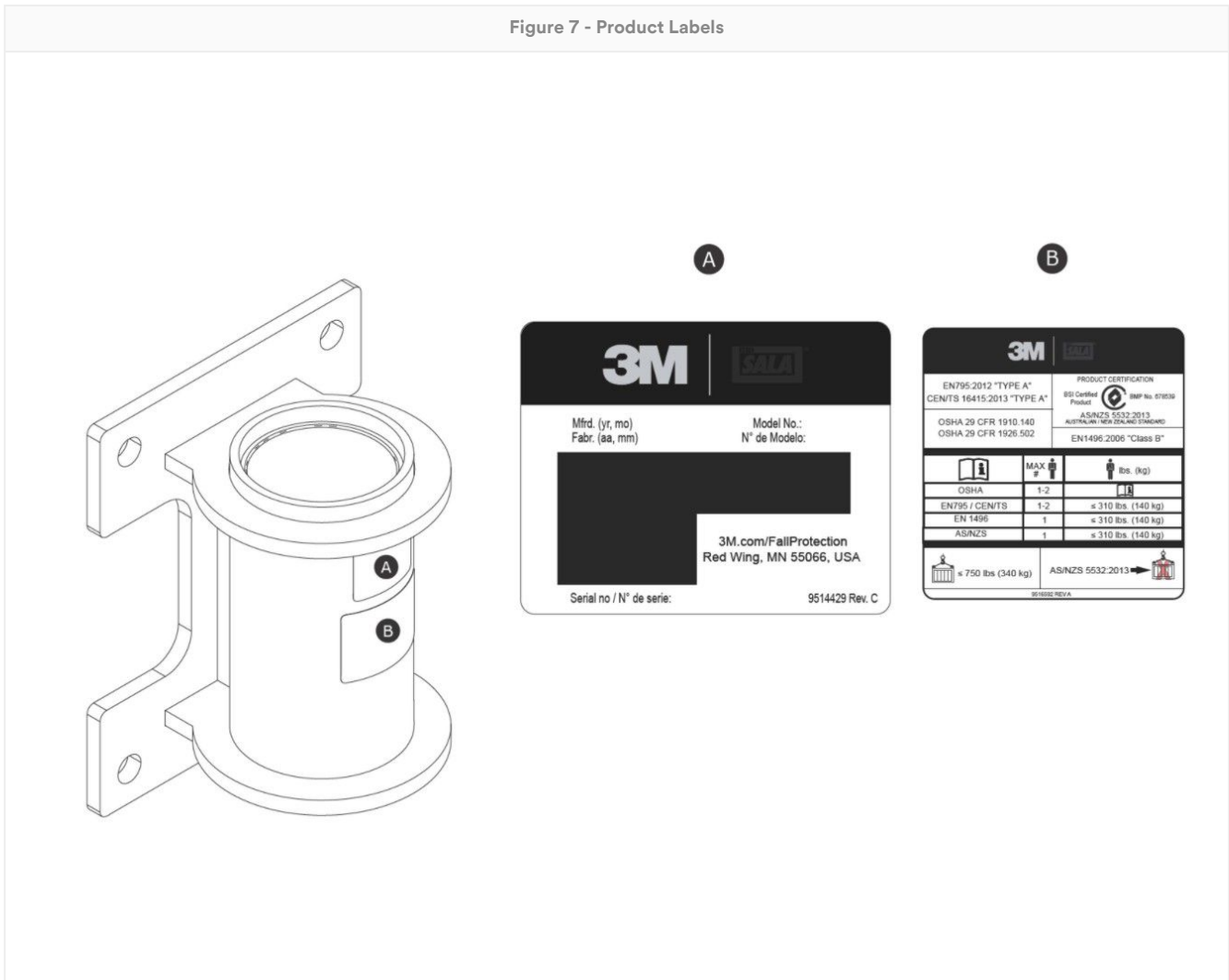
NOTICE:

Label images are intended to be representative. Please refer to your product labels for specific information.

Missing or damaged labels must be replaced. All labels must be fully legible.

A	Product Specifications Label
B	ID Label

Figure 7 - Product Labels



Glossary

Definitions: The following terms and definitions are used in these instructions:

For a comprehensive list of terms and definitions, please visit our website: www.3m.com/FallProtection/ifu-glossary

- **Authorized Person:** A person assigned by the employer to perform duties at a location where the person will be exposed to a fall hazard.

- **Competent Person:** One who is capable of identifying existing and predictable hazards in the surroundings or working conditions which are unsanitary, hazardous, or dangerous to employees, and who has authorization to take prompt corrective measures to eliminate them.
- **Fall Arrest System:** A collection of Fall Protection equipment configured to protect the user in the event of a fall.
- **Qualified Person:** A person with a recognized degree, certificate, or professional standing, or who by extensive knowledge, training, and experience has successfully demonstrated their ability to solve or resolve problems relating to Fall Protection and Rescue systems to the extent required by applicable national, regional, and local regulations.
- **Rescue System:** A collection of Fall Protection equipment configured to remove a person from hazards to a safe location. No free fall is permitted.
- **Rescuer:** A person using the Rescue system to perform an assisted rescue.
- **Restraint System:** A collection of Fall Protection equipment configured to prevent the user from reaching a fall hazard. No free fall is permitted.
- **User:** A person who performs activities while protected by a Fall Protection system.
- **Work Positioning System:** A collection of Fall Protection equipment configured to support a user at a work position.

Inspection and Maintenance Log

A copy of this table should be used for each inspection. Record information below.

Manufacturer: 3M Fall Protection

Model Number (Serial Number):

Date Purchased:

Date of First Use:

This product must be inspected by the user and, additionally, by a Competent Person other than the user at the specified intervals. See Section 5 for more information.

Component	Inspection Procedure	Inspection Result (Pass or Fail)
Product (Figure 2)	Inspect the davit base for damage, deformation, corrosion, and rust. Look for cracks, bends, dents, or wear that could affect strength and operation of the system. When inspecting for corrosion, you should also inspect the anchor device, its fixings or fasteners, and the structure to which the anchor device is secured.	
	Inspect all fasteners for damage or corrosion. Tighten as necessary.	
	Inspect all moving parts for chips, cracks, breaks, or worn areas that can cause malfunction during operation.	
Labels	All labels are present and fully legible.	
Fall Protection Equipment	Additional Fall Protection equipment that is used with the product is installed and inspected per the manufacturer instructions. Verify that the strength rating for each of your products is compatible and sufficient for the intended application.	

Summary of Product Inspection

If the product fails an inspection procedure, then the product fails overall inspection. If the product fails inspection, remove it from service immediately. Clearly tag the product "DO NOT USE". See Section 5 for more information.

Inspection Type: (circle one)

User

Competent Person

Overall Inspection Result:

Inspected By:

Date of Inspection:

Signature:

Next Inspection Due:

Additional Notes:

Certifications

Your product conforms to the national or regional standards identified on the front cover of these instructions. Certification and conformance may be restricted to individual product models or applications.

For more information on certification or conformance requirements, refer to the applicable standards and regulations listed for your product.

Users under AS/NZS standards should consult AS/NZS 1891.4 for selection, use, maintenance, and training requirements.

BSI Certified Product
AS/NZS 5532:2013
License: BMP 678539

BSI - Head Office
Suite 1, Level 1, 54 Waterloo Road
Macquarie Park, NSW, 2113
Australia



3M™ DBI-SALA® Основа за кран тип Davit за монтаж на стена

Инструкции за потребителя

Номер на формуляра: 5903663, редакция: F

Този продукт е сертифициран или отговаря на следните стандарти и разпоредби. Сертифицирането и съответствието може да бъдат ограничени до отделни модели продукти или приложения. За повече информация вижте *Сертификати*.

- OSHA 29 CFR 1910.140, 1926.502
- EN 795:2012 (тип A)
- CEN/TS 16415:2013 (тип A)
- EN 1496:2006 (точка 4.6)
- AS/NZS 5532:2013

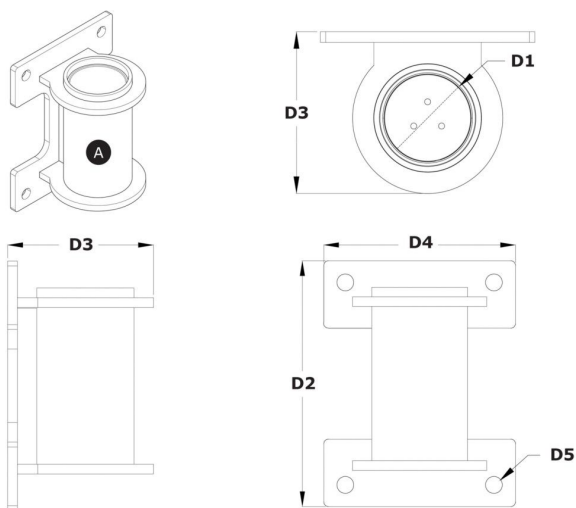
⚠WARNING:

За идентифициране на продуктите кодове вижте таблиците със спецификации на продуктите. Вижте общия преглед на продукта за повече информация за продукта.

Някои компоненти може да не са сертифицирани поотделно и може да се наложи да бъдат сглобени, за да отговарят на изискванията за сертифициране.

Фигура 1 - Общ преглед на продукта

Модел	Вид	D1	D2	D3	D4	D5	Тегло на продукта
8000101	A	10,2 cm (4,0 in)	32,4 cm (12,75 in)	19,0 cm (7,5 in)	25,4 cm (10,0 in)	22,2 mm (0,88 in)	15,7 kg (34,0 lb)
8000102	A	10,2 cm (4,0 in)	32,4 cm (12,75 in)	19,0 cm (7,5 in)	25,4 cm (10,0 in)	22,2 mm (0,88 in)	15,7 kg (34,0 lb)



Информация за безопасност

Прочетете, уверете се, че разбирате и следвайте цялата информация за безопасност, съдържаща се в тези инструкции, преди да използвате този продукт. НЕСПАЗВАНЕТО НА ИНСТРУКЦИИТЕ МОЖЕ ДА ДОВЕДЕ ДО СЕРИОЗНИ НАРАНЯВАНИЯ ИЛИ СМЪРТ.

Тези инструкции трябва да бъдат предоставени на потребителя на оборудването. Запазете тези инструкции за бъдещи справки.

Информация за безопасност

Формуляр: 5908277, редакция: В

Предназначение

Този продукт се използва като част от цялостна система за височинна защита.

Използването за каквато и да е друга цел, включително, но не само, неodobrena обработка на материали, развлекателни или спортни дейности или други дейности, които не са описани в тези инструкции, не е одобрено от ЗМ и може да доведе до сериозно нараняване или смърт.

Този продукт трябва да се използва само от обучени работници в работна среда.

⚠ Предупреждение

Този продукт се използва като част от цялостна система за височинна защита.

Всички потребители трябва да бъдат напълно обучени за безопасното инсталиране и експлоатация на цялата система за защита от падане, която ползват. Неправилното използване на този продукт може да доведе до сериозно нараняване или смърт. Информация за правилен избор, експлоатация, инсталиране, поддръжка и сервиз на продуктите ще намерите в съответните ръководства с инструкции и препоръки на производителя - прочетете ги внимателно. За повече информация говорете с ръководителя си или се свържете с отдела за техническо обслужване на ЗМ.

- **За да се намалят рисковете, свързани с употребата на система за влизане в затворени пространства/евакуация, които, ако не бъдат избегнати, могат да доведат до сериозно нараняване или смърт:**
 - Проверявайте продукта преди всяка употреба и след всяко падане, като спазвате процедурите, посочени в тези инструкции.
 - Ако проверката покаже опасност или дефект, спрете употребата на продукта и го маркирайте с „НЕИЗПОЛЗВАЕМО“. Унищожете или поправете продукта - в зависимост от посоченото в тези инструкции.
 - Всеки продукт, който е бил използван за височинна защита и се е задействал или се е ударил в нещо, трябва да бъде незабавно изваден от употреба. Унищожете или поправете продукта - в зависимост от посоченото в тези инструкции.
 - Ако сглобявате системи за височинна защита от компоненти, произведени от различни производители, компонентите трябва да са съвместими и отговарят на всички приложими разпоредби, стандарти или изисквания за височинна защита. Преди да използвате тези системи, винаги се консултирайте с компетентно лице.
 - Продуктът трябва да се монтира само както е описано в инструкциите за употреба. Монтажът и употребата по начин извън обхвата на описаното в тези инструкции за употреба трябва да бъдат одобрени писмено от ЗМ.
 - Свързвайте подсистеми за защита срещу падане само към обозначената точка за свързване на закрепване върху продукта.
 - Преди да монтирате продукта, уверете се, че методите за монтаж и продуктът няма да влязат в съприкосновение с електропроводни линии, газопроводи или други критични материали или системи.
 - Уверете се, че продуктът е конфигуриран и инсталиран правилно за безопасна работа, както е описано в тези инструкции.
 - Не усуквайте, не завързвайте за други предмети, не правете възли по въжето и не позволявайте отпускане на осигурителното въже.
 - Не надвишавайте броя на допустимите потребители, посочен в тези инструкции.
 - Бъдете внимателни, когато монтирате, използвате и премествате продукта, тъй като движещите се части може да създадат точки на прищипване.
 - Процедурите за заключване/означаване трябва да се спазват, когато е приложимо.
 - Не се свързвайте към системата, докато се транспортира или монтира.
- **За да се намалят рисковете, свързани с работата на височина, които, ако не бъдат избегнати, могат да доведат до сериозни наранявания или смърт:**
 - Вашето здраве и физическо състояние трябва да ви позволяват да работите безопасно на височина и да издържате на всички сили, свързани със спирането на падане. Ако имате въпроси относно способността си да използвате това оборудване, говорете с лекаря си.
 - Никога не надвишавайте допустимия капацитет на оборудването за защита срещу падане.
 - Никога не надвишавайте определеното максимално разстояние за свободно падане на оборудването за защита срещу падане.
 - Не използвайте оборудване за височинна защита, което не е било проверено, както и оборудване, за което се съмнявате, че може да не е подходящо или че не се използва правилно. За всякакви въпроси се свързвайте с отдела за обслужване на клиенти на ЗМ.
 - Някои комбинации от подсистеми и компоненти може да попречат на работата на това оборудване. Използвайте само съвместими връзки. Свържете се с отдела за обслужване на клиенти на ЗМ, преди да използвате това оборудване в комбинация с компоненти или подсистеми, различни от описаните в тези инструкции.
 - Прилагайте допълнителни предпазни мерки когато работите около движещи се машини, електрически опасности, екстремни температури, химически опасности, експлозивни или токсични газове, остри ръбове, абразивни повърхности, или под висящи материали, които могат да паднат върху Вас или върху оборудването за защита от падане.
 - Уверете се, че използването на този продукт е класифицирано според опасностите, присъстващи във Вашата работна среда.
 - Уверете се, че има достатъчно пространство за падане при работа на височина.
 - Никога не правете промени във Вашето оборудване за защита от падане. Само ЗМ или страни, писмено упълномощени от ЗМ, могат да извършват ремонт на оборудването на ЗМ.
 - Преди да използвате оборудване за защита от падане, уверете се, че е изготвен писмен план за спасяване, който да осигури бързо спасяване при падане.
 - Ако се случи инцидент, свързан с падане, незабавно потърсете медицинска помощ за падналият работник.
 - За приложение за спиране на падането използвайте само сбруя за цялото тяло. Не използвайте колан за тяло.
 - Минимизирайте възможността за падане със залюляване, като работите директно под точката на анкериране, доколкото е възможно.

- При обучение с този продукт трябва да се използва вторична система за защита от падане. Обучаващите се не бива да бъдат изложени на неволна опасност от падане.
- Когато инсталирате, използвате или проверявате този продукт, винаги носете подходящи лични предпазни средства.
- Никога не работете под окачен товар или работник.
- Винаги поддържайте 100% обвързване.

Общ преглед на продукта

Винаги използвайте най-новата версия на ръководството за употреба от 3M. Посетете www.3m.com/userinstructions или се свържете с отдела за обслужване на клиенти на 3M за актуализирани ръководства за употреба.

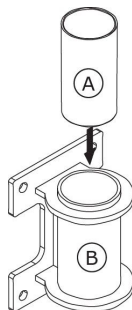
Преди да използвате това оборудване, запишете информацията за продукта от идентификационния етикет в „Дневник за проверка и поддръжка“ на гърба на това ръководство.

На фигура 1 са илюстрирани наличните модели на продукта. Основите на крановете служат като част от системата от кранове, която помага да се закрепят към земята. Кранът е закрепен към основата, като същевременно действа като регулируема, подвижна точка за анкерно закрепване за потребителя. Вижте инструкциите на производителя за съвместимия кран или системата от кранове за повече информация относно приложенията на системата.

На фигура 2 са посочени основните компоненти на наличните продуктови модели. Основата за крана тип Davit се състои от две части: втулка (A) и ръкав на крана тип Davit (B). Втулката позволява на закрепения кран тип Davit да се върти свободно вътре в ръкава. Ръкавът включва прикрепена монтажна плоча за закрепване на основата за крана тип Davit към конструкцията.

Всеки продуктов модел има свои собствени спецификации, както е посочено на фигура 1. Вижте таблиците със спецификации на продуктите за повече информация.

Фигура 2 – Компоненти



Таблицы със спецификации на продуктите

Спецификации на системата

Допустимо натоварване за потребителя:	Вижте инструкциите на производителя за съвместими модели кранове за повече информация относно капацитета на системата.
Стандарти:	Всеки модел продукт е сертифициран или отговаря на приложимите стандарти и разпоредби, изброени във фигура 1. Ако не са изброени такива, тогава се прилагат всички стандарти и разпоредби, изброени на корицата.

Спецификации на компонентите

Фигура 2 за справка	Компонент	Материали
A	Втулка	Полиетилен с висока плътност
B	Ръкав на крана тип Davit	8000101: Поцинкована въглеродна стомана
		8000102: Неръждаема стомана

1.0 Приложение на продукта

1.1 Предназначение: Системите с кранове тип Davit служат като мобилни конструкции за анкерно закрепване на системи за височинна защита. Модулите и компонентите варират в зависимост от системата. За повече информация относно приложенията на системата вижте „Общ преглед на продукта“ и всички раздели за монтаж или използване.

1.2 Контрол: Употребата на оборудването трябва да бъде контролирана от компетентно лице. Монтажът на това оборудване трябва да бъде контролиран от компетентно лице. Квалифицирано лице трябва да потвърди, че монтажът отговаря на местните и федералните разпоредби. Крепежните елементи и разположението на основата за крана също трябва да бъдат одобрени от квалифицирано лице.

1.3 Препродажба и дистрибуция: Ако този продукт е препродаден извън първоначалната страна по местоназначение, препродавачът трябва да предостави тези инструкции на езика на държавата, в която ще се използва продуктът.

1.4 Обучение: Това оборудване трябва да се монтира и използва от лица, обучени за правилното му приложение. Тези инструкции трябва да се използва като част от програмата за обучение на служители, както се изисква от националните, регионалните или местните разпоредби. Потребителите и монтажниците на това оборудване носят отговорност да се уверят, че са запознати с тези инструкции, обучени за правилната грижа и употреба на оборудването и са наясно с експлоатационните характеристики, ограниченията за прилагане и последствията от неправилното използване на това оборудване.

1.5 Спасителен план: При използването на това оборудване и свързващите подсистеми работодателят трябва да има спасителен план в писмен вид и необходимите средства, за да изпълни и съобщи този план на потребителите, упълномощените лица и спасителите. Препоръчва се на място да има обучен спасителен екип. Членовете на екипа трябва да бъдат снабдени с нужното оборудване и да са наясно с техники за успешно спасяване. Обучението трябва да е периодично, за да се гарантират уменията на спасителя. Настоящите инструкции трябва да бъдат предоставени на спасителите. Трябва да има визуален контакт или средства за комуникация със спасяваното лице във всеки един момент по време на спасителния процес.

2.0 Изисквания към системата

2.1 Анкерно устройство: Анкерната конструкция, която осигурява този продукт, трябва да може да издържа на всички необходими натоварвания, разрешени от системата за височинна защита. Вижте раздел 4 за повече информация.

2.2 Капацитет: Потребителският капацитет на цялостна система за височинна защита е ограничен от нейния компонент с най-ниска оценка за максимален капацитет. Например, ако вашата свързваща подсистема има капацитет, който е по-малък от този на вашата предпазна сбруя, трябва да се съобразите с изискванията за капацитет на вашата свързваща подсистема. Вижте изискванията за капацитет в инструкциите на производителя за всеки компонент от вашата система.

2.3 Опасности от околната среда: Използването на това оборудване в зони с опасности от околната среда може да изисква допълнителни предпазни мерки, за да се предотврати нараняване на потребителя или повреда на оборудването. Опасностите могат да включват (но не се ограничават до): Високи температури, химикали, корозивни среди, електропроводи с високо напрежение, експлозивни или токсични газове, движещи се машини, предмети с остри ръбове или материали над потребителя, които може да паднат и да ударят него или устройството. Свържете се с отдела за обслужване на клиенти на 3М за допълнително изясняване.

2.4 Опасности, свързани със осигурителното въже: Уверете се, че осигурителното въже е защитено от всички опасности, включително, но не само: заплитане с потребители, други работници, движещи се части на машини, други околни предмети, удар от висящи предмети, които могат да паднат върху въжето или потребителите.

2.5 Съвместимост на компонентите: Оборудването на 3М е предназначено за използване с оборудване на 3М. Употребата на оборудване, което не е произведено от 3М, трябва да бъде одобрена от компетентно лице. Замяната, извършена с неодобрено оборудване, може да застраши съвместимостта на оборудването и да повлияе на безопасността и надеждността на вашата система за защита от падане. Преди употреба, прочетете и следвайте всички инструкции и предупреждения за цялото оборудване.

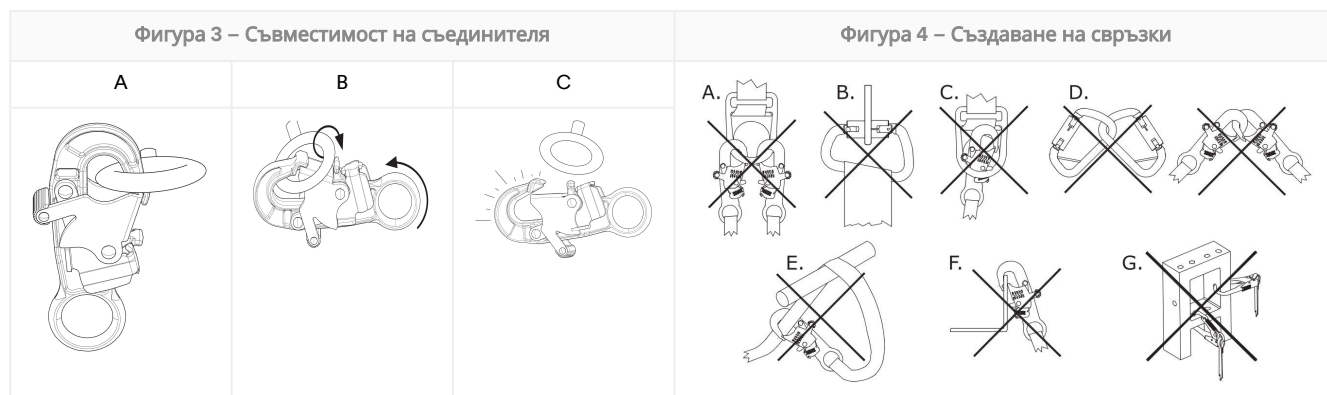
2.6 Съвместимост на съединителите: Съединителите са съвместими със свързващите елементи, когато размерът и формата на нито един от компонентите не причиняват неволно отваряне на съединителя,

независимо от ориентацията. Съединителите трябва да отговарят на приложимите стандарти. Съединителите трябва да са напълно затворени и заключени по време на употреба.

Съединителите на ЗМ (обезопасителни куки и карабинери) трябва да се използват само според указанията на съответното ръководство за употреба. Уверете се, че съединителите са съвместими с компонентите на системата, към които са свързани. Не използвайте оборудване, което не е съвместимо. Използването на несъвместими компоненти може да доведе до неволно освобождаване на съединителя. За справка вижте фигурата. Ако свързващият елемент, към който е прикрепен съединителят, е с по-малък размер или с неправилна форма, може да възникне ситуация, при която свързващият елемент прилага сила към ключалката на съединителя (А). След това тази сила може да доведе до отваряне на ключалката, (В) което да доведе до разкачване на съединителя от свързващия елемент (С).

2.7 Създаване на свързки: Всички съединители трябва да са съвместими по размер, форма и якост Вижте фигурата за примери за неподходящи връзки. Не свързвайте обезопасителни куки и карабинери:

1. към D-образна тока, към която е прикрепен друг съединител;
2. по начин, който би довел до натоварване на муфата; Обезопасителни куки с голям отвор не трябва да се свързват към D-образни токи или други свързващи елементи, освен ако обезопасителната кука няма якост на ключалката 16 kN (3600 lbf) или по-голяма.
3. при погрешно свързване, когато размерът или формата на свързващите съединители не са съвместими и, без визуална проверка, съединителите биха изглеждали добре свързани;
4. един към друг;
5. непосредствено към ремъците на сбруята, материала на крачето на колана или обтяжката, освен ако такава връзка не е изрично разрешена от инструкциите на производителя;
6. към който и да е предмет, чийто размер или форма не позволяват съединителят да се затвори напълно и да се заключи, в противен случай това може да доведе до разкачване на съединителя.
7. по начин, който не позволява съединителят да се подравнява правилно, докато е натоварен.



3.0 Монтаж

3.1 Общ преглед: Монтирането на система с кран тип Davit може да е дълга процедура с множество стъпки. Ефективното планиране и познаването на работната площадка и оборудването са от голяма полза за възможно най-гладкото протичане на този процес.

3.2 Планиране: Планирайте своята система за защита срещу падане преди да започнете работа. Отчетете всички фактори, които могат да повлияят на безопасността ви преди, по време и след падане. Вземете под внимание всички изисквания и ограничения, посочени в тези инструкции.

1. **Остри ръбове:** Избягвайте работата на места, където системните компоненти може да са в контакт или да се търкат в незащитени остри ръбове и абразивни повърхности. Всички остри ръбове и абразивни повърхности трябва да бъдат покрити със защитен материал.
2. **Съвместимост:** При монтирането на вашата система е важно да използвате съвместими компоненти. Всеки продуктов модел е съвместим за използване с определен набор от продуктови модели или дизайни.

Основата за кран тип Davit може също да приеме всякакви удължители на мачтата, които са съвместими с изброените кранове тип Davit.

Съвместими модели кранове тип Davit	Инструкция за потребителя на кран тип Davit
8000107	5908417
8000108	5908417
8000130	5908364
8000131	5908364

3.3 Монтаж на основата за кран тип Davit: Монтирайте основата за кран тип Davit съгласно инструкциите, предоставени за вашия модел продукт.

Повърхността на анкерната конструкция трябва да бъде почистена от всякакви отломки, преди да инсталирате основата за крана тип Davit.

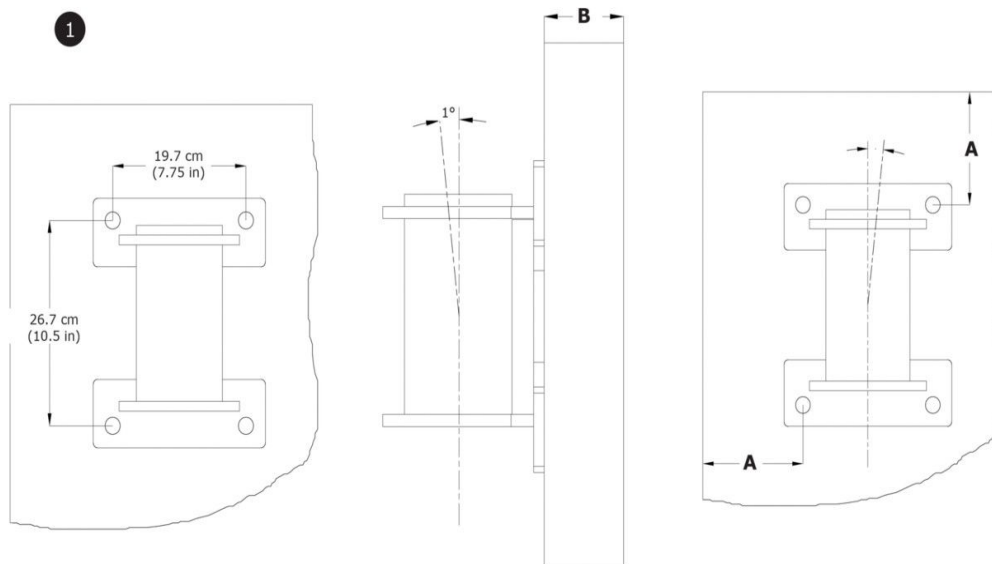
A. Основа за кран тип Davit за монтаж на стена: Основата за кран тип Davit трябва да се подготви преди употреба.

1. **Подгответе местоположението.** Изберете подходяща монтажна повърхност, за да монтирате основата за кран тип Davit, след което определете къде трябва да бъде монтирана основата. Трябва да има достатъчно отстъпление от ръба (A) и дебелината на материала (B), за да поддържат изискванията за якост на вашата конструкция и система. Отбележете и след това пробийте всички монтажни отвори до препоръчания от производителя на крепежния елемент диаметър и дълбочина.

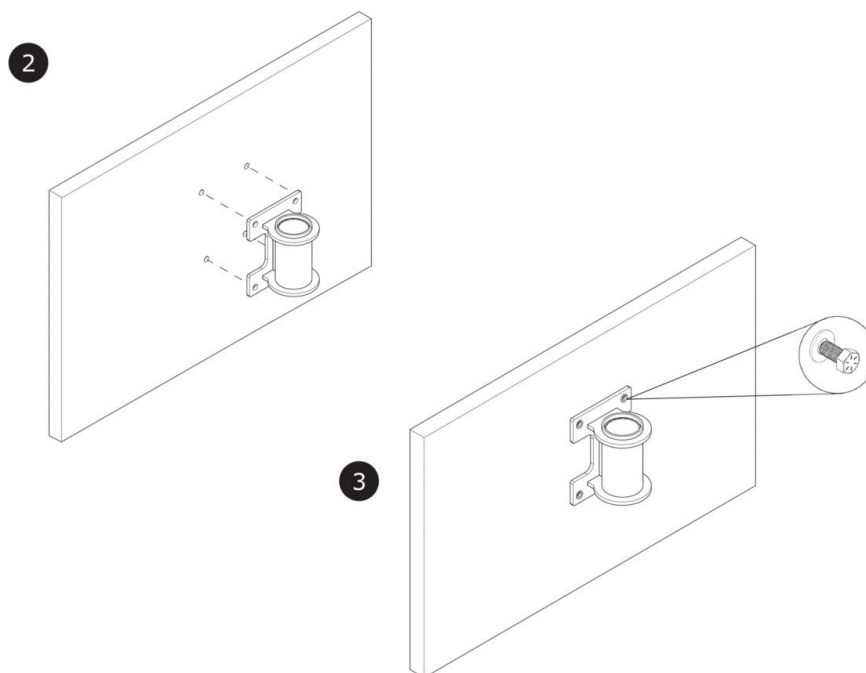
Основата за крана тип Davit трябва да се монтира върху равна, вертикална повърхност.

2. **Поставете основата за крана тип Davit.** Подравнете отворите в монтажната плоча с пробитите отвори. Основата за кран тип Davit трябва да бъде разположена в рамките на плюс или минус 1 градус от вертикалата.
3. **Закрепете основата за крана тип Davit.** Закрепете основата за крана тип Davit с помощта на избраните крепежни елементи, както е посочено в инструкциите на производителя на крепежния елемент.

Фигура 6 – Монтаж на основата за кран тип Davit за монтаж на стена



Фигура 6 – Монтаж на основата за кран тип Davit за монтаж на стена



3.4 Обезопасяване на крана тип Davit: След като основата за крана тип Davit бъде монтирана, потребителят може да закрепя рамото или мачтата на крана тип Davit към основата. Кранът тип Davit трябва да бъде закрепен към монтажния стълб или вътре в ръкава на основата за крана тип Davit според основата за крана тип Davit, която използвате. Проверете дали кранът тип Davit е закрепен и дали всички водачи или заключващи щифтове се използват правилно. За повече информация вижте инструкциите на производителя за вашия кран или система с кран тип Davit.

4.0 Употреба

4.1 Преди всяка употреба: Уверете се, че вашата работна зона и системата за височинна защита отговарят на всички критерии, описани в тези инструкции. Уверете се, че съществува официален план за спасяване. Проверете продукта според контролните точки в раздел „Потребител“, определени в „Дневника за проверка и поддръжка“. Ако проверката разкрие опасно или дефектно състояние или има съмнение относно възможността му за безопасна работа, незабавно извадете продукта от експлоатация. Ясно маркирайте продукта с текст „НЕ ИЗПОЛЗВАЙТЕ“. Вижте раздел 5 за повече информация.

4.2 Анкерно закрепване: В допълнение към капацитета на продукта, всяка система за височинна защита трябва да отчита здравината на всички носещи конструкции или компоненти.

1. **Анкерна конструкция:** Анкерната конструкция, която обезопасява този продукт, трябва да може да издържа на необходимите натоварвания, както е разрешено от системата за височинна защита на този продукт.

Моментно натоварване	136 400 in-lb. (15,41 kN*m)
----------------------	-----------------------------

2. **Точки на свързване на закрепващо устройство:** Точките за закрепване, използвани с продукта, трябва да могат да издържат на всички натоварвания, прилагани от продукта.
3. **Крепежни елементи:** Всички крепежни елементи, закрепващи продукта на място, трябва да са достатъчно здрави, за да държат продукта закрепен по време на употреба. За повече информация вижте инструкциите на производителя на крепежните елементи.

Сила на издърпване на крепежния елемент	8000 lbf (35,59 kN)
Якост на срязване на крепежен елемент	5000 lbf (22,2 kN)

4.3 След падане: Ако това оборудване е било под въздействие на сила в резултат на спиране на падане или удар, незабавно извадете устройството от експлоатация. Поставете му ясна маркировка „НЕ ИЗПОЛЗВАЙТЕ“. Вижте раздел 5 за повече информация.

4.4 Работа с материали: ЗМ позволява използването на този продукт за обработка на материали според указанията. Местните разпоредби или стандарти може да имат допълнителни ограничения или да регулират използването на оборудване за височинна защита за обработка на материали.

⚠CAUTION:

Този продукт трябва да се използва със съвместим кран тип Davit, за да се използва за обработка на материали. Никога не закрепвайте товар директно върху основата за кран тип Davit.

Преди да закрепите товара си, проверете дали е подготвен за транспортиране.

Никога не закрепвайте този продукт едновременно за материали и потребители.

Продуктът, използван за обработка на материали, трябва да бъде проверен от компетентно лице преди следващата му употреба. Местните разпоредби или стандарти може да ограничават прехода между използването за хора и за обработка на материали.

1. **Закрепете крана тип Davit.** Закрепете крана тип Davit към основата за крана тип Davit, както е посочено в инструкциите за потребителя.
2. **Закрепете свързваща подсистема към крана тип Davit.** За повече информация вижте инструкциите на производителя на вашия кран тип Davit.
3. **Закрепете осигурителното въже към вашия товар.** Намалете или увеличете материалния товар, ако е необходимо.

Капацитет за обработка на материали

750 lb (340 kg)

5.0 Проверка

След като оборудването бъде извадено от употреба, то не трябва да се връща в употреба, докато не бъде получено писмено потвърждение от компетентно лице, че това е приемливо.

5.1 Честота на проверките: Продуктът трябва да се проверява от потребителя преди всяка употреба, както и от компетентно лице, различно от потребителя, на посочените по-долу интервали. Ако честотата на използване на оборудването е по-голяма и условията, при които се използва са по-тежки, може да се наложи честотата на инспекциите от компетентни лица да бъде увеличена. Честотата на тези проверки трябва да се определя от компетентното лице според специфичните условия на работната площадка.

Приложим стандарт или регион	Изисквана честота на проверките от компетентни лица
ANSI (ИЗХОД) и OSHA (ВХОД)	Веднъж годишно
EN стандарти	Веднъж годишно
AS/NZS	Веднъж годишно

5.2 Процедури за проверка: Проверете този продукт според процедурите, изброени в „Дневник за проверка и поддръжка“. Документацията за всяка инспекция трябва да се поддържа от собственика на това оборудване. Близо до продукта трябва да бъде поставен дневник за проверка и поддръжка или да бъде лесно достъпен за потребителите. Препоръчва се продуктът да бъде маркиран с датата на следваща проверка.

5.3 Дефекти: Ако продуктът не може да бъде върнат в експлоатация поради съществуващ дефект или опасно състояние, тогава той трябва да бъде или унищожен, или изпратен за ремонт на ЗМ или на оторизиран от ЗМ сервизен център.

5.4 Живот на продукта: Функционалният живот на продукта се определя от работните условия и поддръжката. Докато при проверка продуктът отговаря на изискванията, той може да остане в експлоатация.

6.0 Поддръжка, съхранение и ремонт

Оборудване, което се нуждае от поддръжка или е планирано за поддръжка, трябва да бъде маркирано с „НЕ ИЗПОЛЗВАЙТЕ“. Тези етикети на оборудването не трябва да се премахват, докато не се извърши поддръжка.

6.1 Почистване: Периодично почиствайте металните компоненти на продукта с мека четка, топла вода и деликатен сапунен разтвор. Изплакнете продукта с чиста вода, след което го оставете да изсъхне на въздух. За допълнителна информация, моля, вижте техническите указания на нашия уебсайт: <https://www.3M.com/FallProtection/Mechanical-Device-Cleaning>

6.2 Ремонт: Само ЗМ или страни, писмено упълномощени от ЗМ, може да извършват ремонти на това оборудване.

6.3 Съхранение и транспорт: Съхранявайте и транспортирайте продукта в хладна, суха и чиста среда, далече от пряка слънчева светлина. Избягвайте места, където може да има химически изпарения. Ако системата е била съхранявана продължително, обстойно проверете всички компоненти.

Основите, които са постоянно монтирани, не трябва да напускат работното място. Другите компоненти може да бъдат демонтирани от тези основи, за да се приберат за съхранение или да се транспортират, но основата трябва да остане.

⚠WARNING:

Внезапните преходи между топла и изключително студена среда могат да повлияят на работата на вашето оборудване. Механичните устройства (като самоприбиращи се устройства, лебедки, устройства за изтегляне, водачи за въжета и др.) трябва да бъдат пригодени за използване при силен студ или топлина, като се съхраняват при температури, подобни на работната среда. Винаги извършвайте проверка преди употреба на вашето оборудване в работната му среда, преди да го използвате.

7.0 Етикети и маркировки

7.1 Резюме: На фигурата „Продуктови етикети“ са илюстрирани етикетите и маркировките върху продукта. Вижте по-долу обобщение на информацията, предоставена с всеки етикет и маркировка.

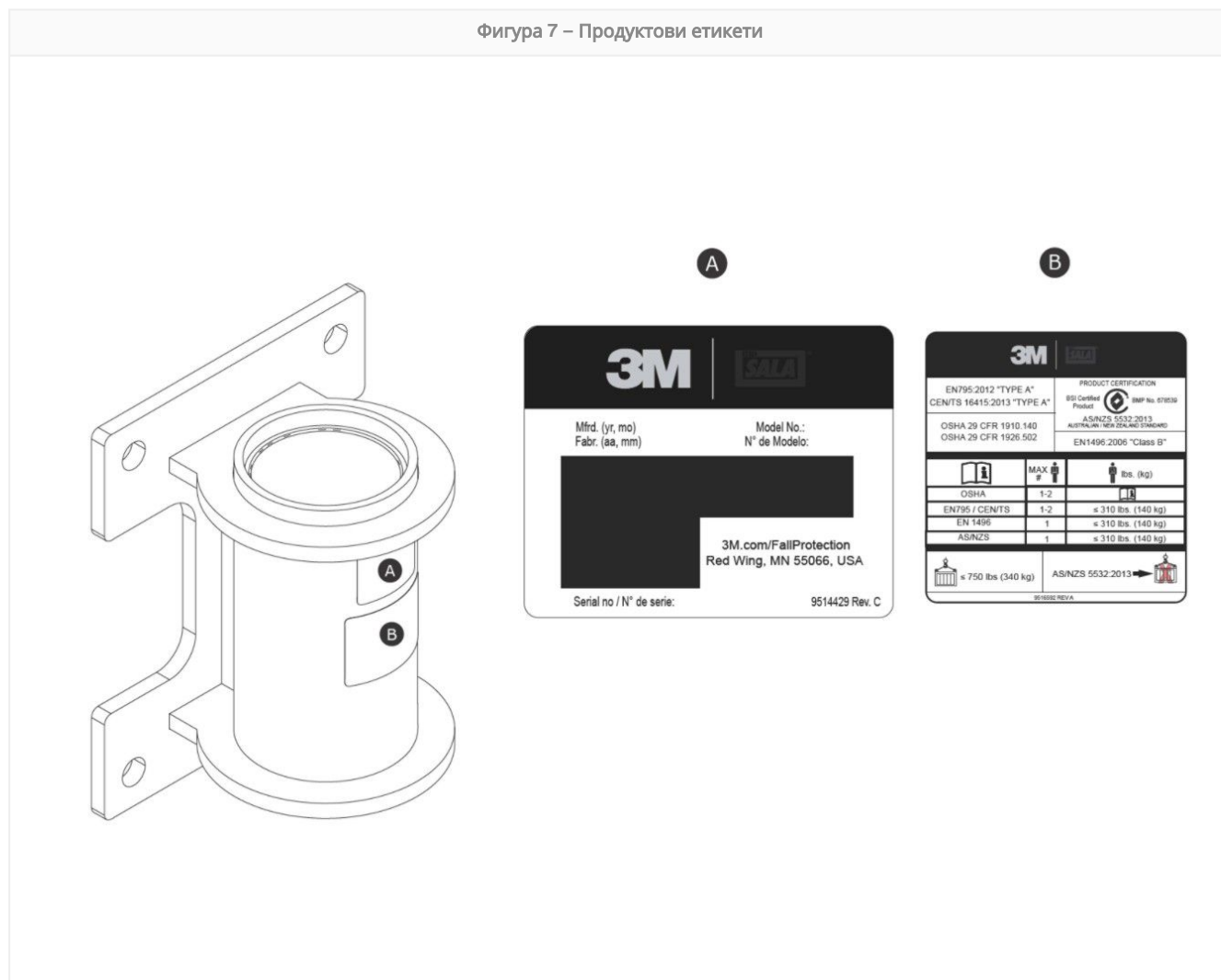
NOTICE:

Изображенията на етикетите са илюстративни. Вижте етикетите на вашия продукт за конкретна информация.

Липсващите или повредени етикети трябва да се сменят. Всички етикети трябва да са напълно четливи.

A	Етикет със спецификации на продукта
B	Идентификационен етикет

Фигура 7 – Продуктови етикети



Речник

Определения: В тези инструкции са използвани следните термини и определения:

За изчерпателен списък с термини и определения, моля, посетете нашия уебсайт: www.3m.com/FallProtection/ifu-glossary

- **Упълномощено лице:** Лице, назначено от работодателя да изпълнява задълженията си на място, където ще бъде изложено на опасност от падане.
- **Компетентно лице:** Лице, способно да установи съществуващи или предвидими опасности в околната среда или работни условия, които са нехигиенични, рискови или опасни за служителите, и имащо пълномощия да предприеме незабавни мерки за отстраняването им.
- **Система за спиране на падане:** Колекция от оборудване за височинна защита, конфигурирано да защити потребителя в случай на падане.
- **Квалифицирано лице:** Лице с призната степен, сертификат или професионална квалификация, или с обширни познания, обучение и опит, което успешно е демонстрирало способността си да разрешава или отстранява проблеми, свързани със системите за височинна защита и спасяване, до степента, изисквана от приложимите национални, регионални и местни разпоредби.
- **Спасителна система:** Колекция от оборудване за защита от падане, конфигурирано да изведе човек от опасността до безопасно място. Свободното падане не се разрешава.
- **Спасител:** Лице, което използва спасителната система, за да извърши асистирано спасяване.
- **Система с обезопасителен колан:** Набор от оборудване за височинна защита, конфигурирано да предпази потребителя от достигане на опасност от падане. Свободното падане не се разрешава.
- **Потребител:** Лице, което извършва дейности, докато е защитено от система за височинна защита.
- **Система за фиксиране на работната зона:** Колекция от оборудване за височинна защита, конфигурирано да поддържа потребител в работна зона.

Дневник за проверка и поддръжка

За всяка проверка трябва да се използва копие от тази таблица. Запишете информацията по-долу.

Производител: 3M Fall Protection

Номер на модела (сериен номер):

Дата на покупката:

Дата на първа употреба:

Този продукт трябва да бъде проверяван от потребителя преди всяка употреба. Освен това компетентно лице, различно от потребителя, трябва да проверява това оборудване на интервалите, посочени в раздел 5.

Компонент	Процедура за проверка	Резултат от проверката (успешно или неуспешно издържана)
Продукт (Фигура 2)	Проверете основата на крана тип Davit за повреди, деформации, корозия и ръжда. Потърсете пукнатини, огъвания, вдлъбнатини или износване, които могат да повлияят на здравината и работата на системата. Когато проверявате за корозия, трябва също да проверите анкерното устройство, неговите фиксиращи или крепежни елементи и конструкцията, към която е закрепено анкерното устройство.	
	Проверете всички крепежни елементи за повреди или корозия. Затегнете, ако е необходимо.	
	Проверете всички движещи се части за стружки, пукнатини, счупвания или износени участъци, които могат да причинят неизправност по време на работа.	
Етикети	Всички етикети са налице и напълно четливи.	
Оборудване за височинна защита	Допълнително оборудване за височинна защита, което се използва с продукта, се монтира и проверява съгласно инструкциите на производителя. Проверете дали номиналната якост за всеки от вашите продукти е съвместима и достатъчна за предвиденото приложение.	

Резюме на проверката на продукта

Ако продуктът не премине на процедура за проверка, тогава продуктът не преминава цялостна проверка. Ако продуктът не премине проверката, незабавно го извадете от експлоатация. Ясно маркирайте продукта с текст „НЕ ИЗПОЛЗВАЙТЕ“. Вижте раздел 5 за повече информация.

Вид проверка:

Потребител

Компетентно лице

Резултат от цялостна проверка:

Проверено от:

Дата на проверка:

Подпис:

Дата на следваща проверка:


Допълнителни бележки:

Сертификати

Вашият продукт отговаря на националните или регионалните стандарти, посочени на предната корица на тези инструкции. Сертифицирането и съответствието може да бъдат ограничени до отделни модели продукти или приложения.

За повече информация относно изискванията за сертифициране или съответствие вижте приложимите стандарти и разпоредби, посочени за вашия продукт.

Потребителите по стандартите на AS/NZS трябва да направят справка с AS/NZS 1891.4 за изискванията за избор, употреба, поддръжка и обучение.

<p>Сертифициран от BSI продукт</p> <p>AS/NZS 5532:2013</p> <p>Лиценз: BMP 678539</p>	<p>BSI - Head Office Suite 1, Level 1, 54 Waterloo Road Macquarie Park, NSW, 2113 Австралия</p>	
--	---	---

Глобална гаранция на продукта, ограничено средство за защита и ограничение на отговорността

Гаранция: Следващият текст заменя всички гаранции или условия, изрични или косвени, включително косвени гаранции или условия за продаваемост или пригодност за определена цел.

Освен ако не е посочено друго в местното законодателство, продуктите на 3M за височинна защита имат гаранция срещу производствени дефекти в изработката и на материалите за период от една година от датата на монтажа или първата употреба от първоначалния собственик.

Ограничено средство за защита: След писмено уведомление до 3M 3M ще поправи или замени всеки продукт, за който прецени, че има производствен дефект в изработката или на материалите. 3M си запазва правото да изиска връщането на продукт до завод на производителя за оценка на гаранционните претенции. Тази гаранция не покрива повреда на продукта поради износване, злоупотреба, неправилна употреба, повреда при транспорт, неправилна поддръжка на продукта или друга повреда извън контрола на 3M. Само 3M ще взема решение за състоянието на продукт и възможностите за гаранция.

Тази гаранция се прилага само за първоначалния купувач и е единствената приложима гаранция за продукти на 3M за защита от падане. При нужда от помощ, моля, свържете се с отдела за обслужване на клиенти на 3M за Вашия регион.

Ограничение на отговорността: До степента, разрешена от местното законодателство, 3M не носи отговорност за никакви косвени, случайни, специални или последващи повреди, включително, но не само, загуба на печалби, свързани по какъвто и да е начин с продуктите, независимо от предявеното правно основание.

3M™ DBI-SALA® Nástěnná základna zdvihacího zařízení

Návod k použití

Číslo vzoru: 5903663, verze: F

Tento produkt je certifikován nebo vyhovuje následujícím normám a předpisům. Certifikace a shoda se mohou omezovat na jednotlivé modely produktů nebo jejich použití. Další informace najdete v tématu *Certifikace*.

- OSHA 29 CFR 1910.140, 1926.502
- EN 795:2012 (typ A)
- CEN/TS 16415:2013 (typ A)
- EN 1496:2006 (článek 4.6)
- AS/NZS 5532:2013

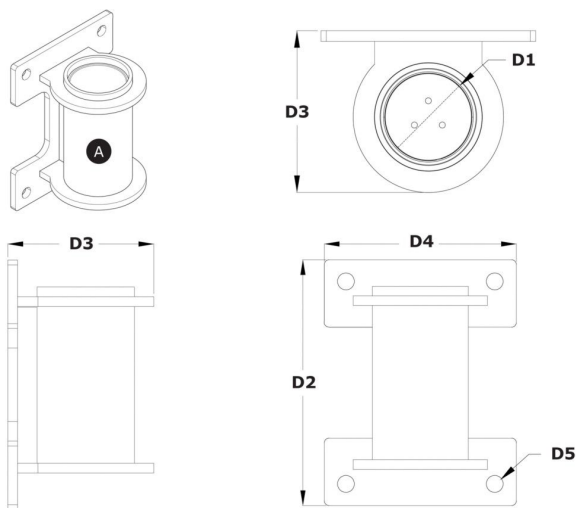
⚠WARNING:

Identifikace kódů produktů je uvedena v tabulkách specifikací produktů. Další informace o produktu najdete v Přehledu produktu.

Některé součásti nemusí být certifikovány jednotlivě a pro splnění požadavků na certifikaci mohou vyžadovat montáž.

Obrázek 1 – Přehled produktu

Model	Styl	D1	D2	D3	D4	D5	Hmotnost výrobku
8000101	A	4,0 in (10,2 cm)	12,75 in (32,4 cm)	7,5 in (19,0 cm)	10,0 in (25,4 cm)	0,88 in (22,2 mm)	34,0 lb (15,7 kg)
8000102	A	4,0 in (10,2 cm)	12,75 in (32,4 cm)	7,5 in (19,0 cm)	10,0 in (25,4 cm)	0,88 in (22,2 mm)	34,0 lb (15,7 kg)



Bezpečnostní informace

Před zahájením používání tohoto výrobku si prosím přečtěte, pochopte a dodržujte veškeré bezpečnostní informace obsažené v této příručce. POKUD TAK NEUČINÍTE, MŮŽE DOJÍT K VÁŽNÉMU ÚRAZU ČI ÚMRTÍ.

Tyto pokyny je nutno předat uživateli zařízení. Tyto pokyny si uschovejte k budoucímu nahlédnutí.

Bezpečnostní informace

Formulář: 5908277, verze: B

Účel použití

Tento výrobek se používá jako součást kompletního systému pro ochranu proti pádu.

Jakékoliv jiné použití včetně (kromě jiného) použití k neschválené manipulaci s materiálem, rekreačním činností nebo činností souvisejícím se sportem nebo k jiným činnostem, které nejsou popsány v této příručce, není schváleno společností 3M, a může mít za následek vážný úraz či úmrtí.

Tento výrobek mohou používat pouze vyškolení uživatelé na pracovišti.

Varování

Tento výrobek se používá jako součást kompletního systému pro ochranu proti pádu.

Všichni uživatelé musí být řádně zaškoleni ohledně bezpečné instalace a používání svého kompletního systému pro ochranu proti pádu. Nesprávné použití tohoto výrobku může mít za následek vážný úraz či úmrtí. Informace o správném výběru, provozu, instalaci, údržbě a servisu naleznete ve všech uživatelských příručkách a doporučeních výrobce. Další informace vám sdělí váš nadřízený nebo kontaktujte technický servis 3M.

- **Ke snížení rizik spojených s prací se systémem pro vstup do stíněného prostoru/záchranu z omezeného prostoru, která mohou mít, pokud jim nezabráníte, za následek vážný úraz či úmrtí, dodržujte tato opatření:**
 - Před každým použitím a po každém pádu zkontrolujte výrobek v souladu s postupy uvedenými v této příručce.
 - Pokud kontrola odhalí nebezpečný nebo vadný stav, okamžitě výrobek vyřadte z provozu a zřetelně jej označte nápisem „NEPOUŽÍVAT“. Výrobek zlikvidujte nebo opravte podle požadavků této příručky.
 - Pokud byl výrobek vystaven záhytné síle nebo síle způsobené pádem, musí být okamžitě vyřazen z provozu. Výrobek zlikvidujte nebo opravte podle požadavků této příručky.
 - Zajistěte, aby systémy pro ochranu proti pádu sestavené ze součástí vyrobených různými výrobci, byly kompatibilní a splňovaly všechny platné předpisy, normy nebo požadavky týkající se ochrany proti pádu. Před použitím těchto systémů se vždy poraďte s kompetentní osobou.
 - Výrobek musí být instalován pouze tak, jak je popsáno v jeho návodech k použití. Instalace a použití mimo rozsah těchto návodů musí být písemně schváleny společností 3M.
 - Subsystémy k ochraně proti pádu připojujte pouze k vyhrazeným bodům ukotvení na produktu.
 - Před instalací se ujistěte, že způsoby instalace a výrobek nebudou kolidovat s elektrickým/plynovým vedením nebo jinými kritickými materiály nebo systémy.
 - Ujistěte se, že je výrobek správně nakonfigurován a nainstalován pro bezpečný provoz, jak je popsáno v této příručce.
 - Záchrané lano nekrutěte, neuzlujete, neuvazujte a dbejte na to, aby nedocházelo k jeho prověšení.
 - Nepřekračujte počet povolených uživatelů uvedený v této příručce.
 - Při instalaci, používání nebo přesouvání výrobku postupujte opatrně, neboť pohyblivé součásti mohou vytvářet místa usklípnutí.
 - V případě potřeby je nutné dodržovat postupy uzamčení/označení.
 - Nepřipojujte se k systému během jeho přepravy nebo instalace.
- **Aby se snížila rizika související s prací ve výškách, která, pokud jim nezabráníte, mohou mít za následek vážný úraz či úmrtí:**
 - Váš zdravotní a fyzický stav vám musí umožnit bezpečnou práci ve výšce a odolat všem silám spojeným s případným jištěním proti pádu. Pokud máte dotazy týkající se vaší schopnosti používat toto zařízení, poraďte se se svým lékařem.
 - Nikdy nepřekračujte přípustnou kapacitu vašeho zařízení na ochranu proti pádu.
 - Nikdy nepřekračujte maximální délku volného pádu specifikovanou pro vaše zařízení na ochranu proti pádu.
 - Nepoužívejte zařízení na ochranu proti pádu, která neprojdou kontrolou, nebo pokud máte obavy ohledně vhodnosti zařízení. S případnými dotazy kontaktujte zákaznický servis společnosti 3M.
 - Některé kombinace subsystémů a součástí mohou narušovat provoz tohoto zařízení. Používejte pouze kompatibilní připojení. Pokud chcete toto zařízení používat v kombinaci s jinými součástmi nebo subsystémy, než které jsou popsány v této příručce, obraťte se na zákaznický servis 3M.
 - Buďte zvláště opatrní při práci u pohybujících se strojů, v prostředí s nebezpečím úrazu elektrickým proudem, s extrémními teplotami, chemickým nebezpečím, výbušnými nebo toxickými plyny, ostrými hranami, hrubými povrchy nebo pod stropními materiály, které by na vás nebo vaše zařízení na ochranu proti pádu mohly spadnout.
 - Ujistěte se, že je výrobek, který používáte, dimenzován pro nebezpečí přítomná ve vašem pracovním prostředí.
 - Při práci ve výškách zajistěte bezpečnou výšku ukotvení.
 - Nikdy své zařízení na ochranu proti pádu neupravujte ani neměňte. Opravy tohoto zařízení může provádět pouze společnost 3M nebo osoby s písemným oprávněním společnosti 3M.
 - Před použitím zařízení na ochranu proti pádu se ujistěte, že je zaveden písemný záchraný plán, který zajistí rychlou záchranu, pokud dojde k pádu.
 - Pokud dojde k pádu, okamžitě zajistěte pracovníkovi, který spadl, lékařskou pomoc.
 - Pro aplikace jištění proti pádu používejte pouze celotělový postroj. Nepoužívejte tělový pás.
 - Minimalizujte riziko výkyvu při pádu tím, že budete pracovat co nejbližší pod kotevním bodem.
 - Při školení s tímto výrobkem musí být použit sekundární systém ochrany proti pádu. Školené osoby nesmějí být vystaveny riziku neúmyslného pádu.
 - Při instalaci, používání nebo kontrole výrobku vždy noste vhodné osobní ochranné pomůcky.
 - Nikdy nepracujte pod zavěšenou zátěží nebo pracovníky.
 - Vždy udržujte 100% uvázání.

Přehled produktu

Vždy používejte nejnovější verzi uživatelské příručky 3M. Chcete-li získat aktuální uživatelské příručky, navštivte webové stránky zákaznického servisu www.3m.com/userinstructions nebo se obraťte na zákaznický servis společnosti 3M.

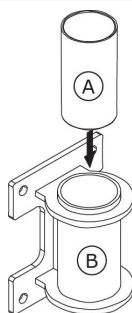
Před prvním použitím tohoto zařízení si poznamenejte údaje o něm z identifikačního štítku do deníku kontrol a údržby v příloze k této příručce.

Obrázek 1 znázorňuje dostupné modely produktu. Základny zdvihacího zařízení slouží jako součást zdvihacího zařízení, která zařízení zajišťuje k podkladu. Zdvihací zařízení je připevněno k základně a zároveň slouží jako nastavitelný pohyblivý kotevní bod pro uživatele. Další informace o systémových aplikacích najdete v pokynech výrobce ke kompatibilnímu zdvihacímu zařízení nebo systému.

Obrázek 2 znázorňuje klíčové součásti dostupných modelů produktů. Základna zdvihacího systému se skládá ze dvou částí: z Vložky (A) a z Objímky zdvihacího zařízení (B). Vložka umožňuje zajištěné průchodce volné otáčení uvnitř objímky zdvihacího zařízení. Objímka má připojenou montážní desku pro upevnění základny zdvihacího zařízení ke konstrukci.

Každý model produktu má své vlastní specifikace, jak je uvedeno na obrázku 1. Další informace najdete v tabulkách technických údajů produktu.

Obrázek 2 – Součásti



Tabulky specifikací produktu

Specifikace systému

Nosnost pro uživatele:	Další informace o nosnosti systému najdete v pokynech výrobce ke kompatibilním modelům zdvihacího zařízení.
Normy:	Každý model produktu je certifikován podle platných norem a předpisů uvedených na obrázku 1 nebo je splňuje. Pokud nejsou uvedeny žádné standardy, platí všechny standardy a předpisy uvedené na obálce.

Specifikace součástí

Reference k obrázku 2	Součást	Materiály
A	Vložka	Vysokohustotní polyethylen
B	Objímka zdvihacího systému	8000101: Pozinkovaná uhlíková ocel
		8000102: Nerezová ocel

1.0 Použití výrobku

1.1 Účel: Jeřábové systémy slouží jako mobilní kotevní konstrukce pro systémy ochrany proti pádu. Sestava a součásti se liší podle konkrétního systému. Další informace o systémových aplikacích najdete v části „Přehled produktu“ a v kapitolách věnovaných instalaci nebo použití.

1.2 Dohled: Používání tohoto zařízení musí probíhat pod dohledem kompetentní osoby. Instalace tohoto zařízení se musí provádět pod dohledem kompetentní osoby. Oprávněná osoba musí potvrdit, že instalace splňuje místní a federální předpisy. Upevňovací prvky a umístění základny jeřábu musí být schváleny oprávněnou osobou.

1.3 Další prodej a distribuce: Pokud bude tento produkt prodáván mimo původní cílovou zemi, pak prodejce musí tuto příručku poskytnout v jazykové verzi země, ve které se bude produkt používat.

1.4 Školení: Toto zařízení musí být instalováno a používáno osobami, které byly vyškoleny pro jeho správné používání. Tyto pokyny je třeba používat jako součást školicího programu pro zaměstnance dle požadavků státních, regionálních nebo místních předpisů. Uživatelé a montážní technici jsou odpovědní za zajištění toho, že budou obeznámeni s těmito pokyny, vyškoleni ve správné údržbě a používání tohoto zařízení a budou znát provozní vlastnosti, omezení k použití a následky nesprávného používání tohoto zařízení.

1.5 Záchranný plán: Při používání tohoto zařízení a připojených subsystémů musí mít zaměstnavatel k dispozici písemný záchranný plán a prostředky pro jeho realizaci a musí s ním seznámit uživatele, oprávněné osoby a záchranáře. Doporučuje se využít vyškoleného záchranného týmu na pracovišti. Členové týmu musí mít k dispozici vybavení a techniky nezbytné k provedení úspěšné záchraně. Aby byla zajištěna odbornost záchranářů, musí být školení prováděno v pravidelných intervalech. Záchranáři by měli mít tyto pokyny k dispozici. Po celou dobu záchranného procesu by měl být udržován vizuální kontakt se zachraňovanou osobou nebo jiné prostředky komunikace.

2.0 Požadavky systému

2.1 Ukotvení: Kotvící konstrukce zajišťující tento produkt musí být schopna odolat veškerým požadovaným zatížením, která povoluje systém ochrany proti pádu. Podrobnější informace najdete v části 4.

2.2 Nosnost: Nosnost kompletního systému ochrany proti pádu je omezena jeho součástí s nejnižší maximální nosností. Pokud má například váš připojovací subsystém nosnost nižší než váš postroj, musíte splňovat požadavky na nosnost vašeho připojovacího subsystému. Požadavky na nosnost naleznete v pokynech výrobce pro každou součást vašeho systému.

2.3 Nebezpečí vyplývající z prostředí: Používání tohoto vybavení v nebezpečném prostředí si možná vyžádá další předběžná opatření, aby nedošlo k úrazu uživatele nebo poškození vybavení. Nebezpečí může vyplývat například z těchto rizikových faktorů: vysoké tepelné zatížení, chemikálie, korozivní prostředí, vedení vysokého napětí, výbušné nebo jedovaté plyny, pohybující se části strojů, ostré hrany nebo zavěšené předměty, které mohou spadnout a zasáhnout uživatele nebo zařízení. Kontaktujte zákaznický servis společnosti 3M, který vám poskytne bližší informace.

2.4 Nebezpečí vyplývající ze záchytného lana: Záchranné lano je nutné uchovávat mimo veškeré překážky, jako například: aby se do něj nezamotali jiní uživatelé, pracovníci, pohyblivé stroje či ostatní okolní předměty nebo aby do něj nenarazily předměty nad hlavou, které by mohly spadnout na záchranné lano nebo uživatele.

2.5 Kompatibilita součástí: Zařízení 3M je navrženo k použití se zařízením 3M. Používání zařízení nepatřící společnosti 3M musí schválit kompetentní osoba. Záměny za neschválené zařízení mohou ohrozit kompatibilitu zařízení a případně též nepříznivě ovlivnit bezpečnost a spolehlivost systému ochrany proti pádu. Před použitím si přečtěte všechny pokyny a varování pro všechna zařízení a dodržujte je.

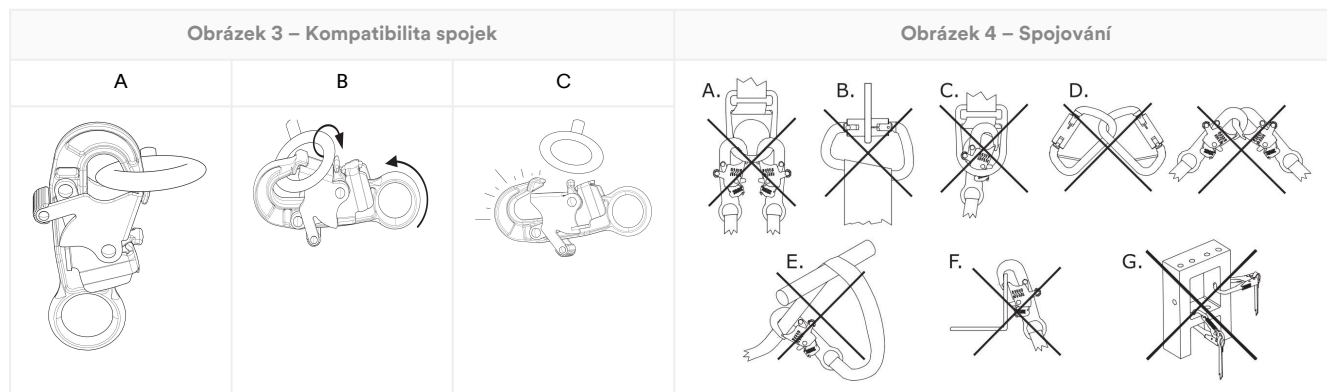
2.6 Kompatibilita spojek: Spojky jsou kompatibilní se spojovacími prvky, pokud velikost a tvar žádné součásti nezpůsobuje náhodné otevření spojky bez ohledu na orientaci. Spojky musí odpovídat platným normám. Spojky musí být během používání zcela uzavřeny a zajištěny.

Spojky 3M (háky s pojistným perem a karabiny) jsou navrženy pro používání pouze způsobem, který je uveden v jednotlivých uživatelských příručkách. Ujistěte se, že spojky jsou kompatibilní se součástmi systému, ke kterým jsou připojeny. Nepoužívejte nekompatibilní vybavení. Použití nekompatibilních součástí může způsobit nechtěné rozpojení spojky. Viz obrázek. Pokud je spojovací prvek, ke kterému se připevňuje spojka, poddimenzovaný nebo má nesprávný tvar, může nastat situace, kdy spojovací prvek vyvine sílu na uzávěr spojky (A). Tato síla by pak mohla způsobit otevření uzávěru (B) a odpojení spojky od spojovacího prvku (C).

2.7 Spojování: Všechny spojky musí být kompatibilní co do velikosti, tvaru a pevnosti. Na obrázku jsou uvedeny příklady chybných připojení. Nepřipojujte háky s pojistným perem a karabiny:

1. K úchytům ve tvaru D, na které jsou napojeny další spojky.
2. Způsobem, který by vedl k zatížení uzávěru. Velké nacvakávací háky nesmí být připojeny k d-kroužkům nebo jiným připojovacím prvkům, pokud nacvakávací hák není vybaven uzávěrem s pevností 16 kN (3 600 lbf) nebo vyšší.

3. U chybného zapojení, kde velikost nebo tvar spojky nebo připojovacího prvku nejsou kompatibilní a kde neproběhne vizuální kontrola, mohou spojky vypadat jako plně připojené.
4. Navzájem mezi sebou.
5. Přímo na popruh postroje, materiál větve bezpečnostního lana nebo materiál uvázání, pokud takové připojení není výslovně povoleno v pokynech výrobce.
6. Na jakýkoli předmět, jehož velikost nebo tvar neumožňuje úplné uzavření a uzamčení spojky nebo který by mohl způsobit uvolnění spojky.
7. Způsobem, který neumožňuje správný pohyb spojky při zatížení.



3.0 Instalace

3.1 Přehled: Instalace zdvihacího systému může být zdlouhavý postup o několika krocích. Efektivní plánování a povědomí o pracovišti a vybavení jsou velkým přínosem pro hladký průběh tohoto procesu.

3.2 Plánování: Před zahájením práce si naplánujte systém ochrany proti pádu. Vezměte v úvahu veškeré faktory, které mohou ovlivnit vaši bezpečnost před pádem, v průběhu pádu a po pádu. Zohledněte všechny požadavky a omezení uvedené v těchto pokynech.

1. **Ostré hrany:** Nepracujte v místech, kde mohou být komponenty systému v kontaktu nebo se mohou odírat o nechráněné ostré hrany a brusné povrchy. Všechny ostré hrany a brusné povrchy by měly být zakryty ochranným materiálem.
2. **Kompatibilita:** Při instalaci systému je důležité používat kompatibilní komponenty. Každý model produktu je kompatibilní pro použití s určitou sadou modelů produktů nebo provedení.

Základna zdvihacího zařízení může být také osazena nástavcem sloupku, který je kompatibilní s uvedenými zdvihacími zařízeními.

Kompatibilní modely zdvihacího systému	Návod k použití zdvihacího systému
8000107	5908417
8000108	5908417
8000130	5908364
8000131	5908364

3.3 Instalace základny zdvihacího systému: Nainstalujte základnu zdvihacího zařízení podle pokynů dodaných pro váš model produktu.

Povrch kotvicí konstrukce by měl být před instalací základny zdvihacího zařízení zbaven všech nečistot.

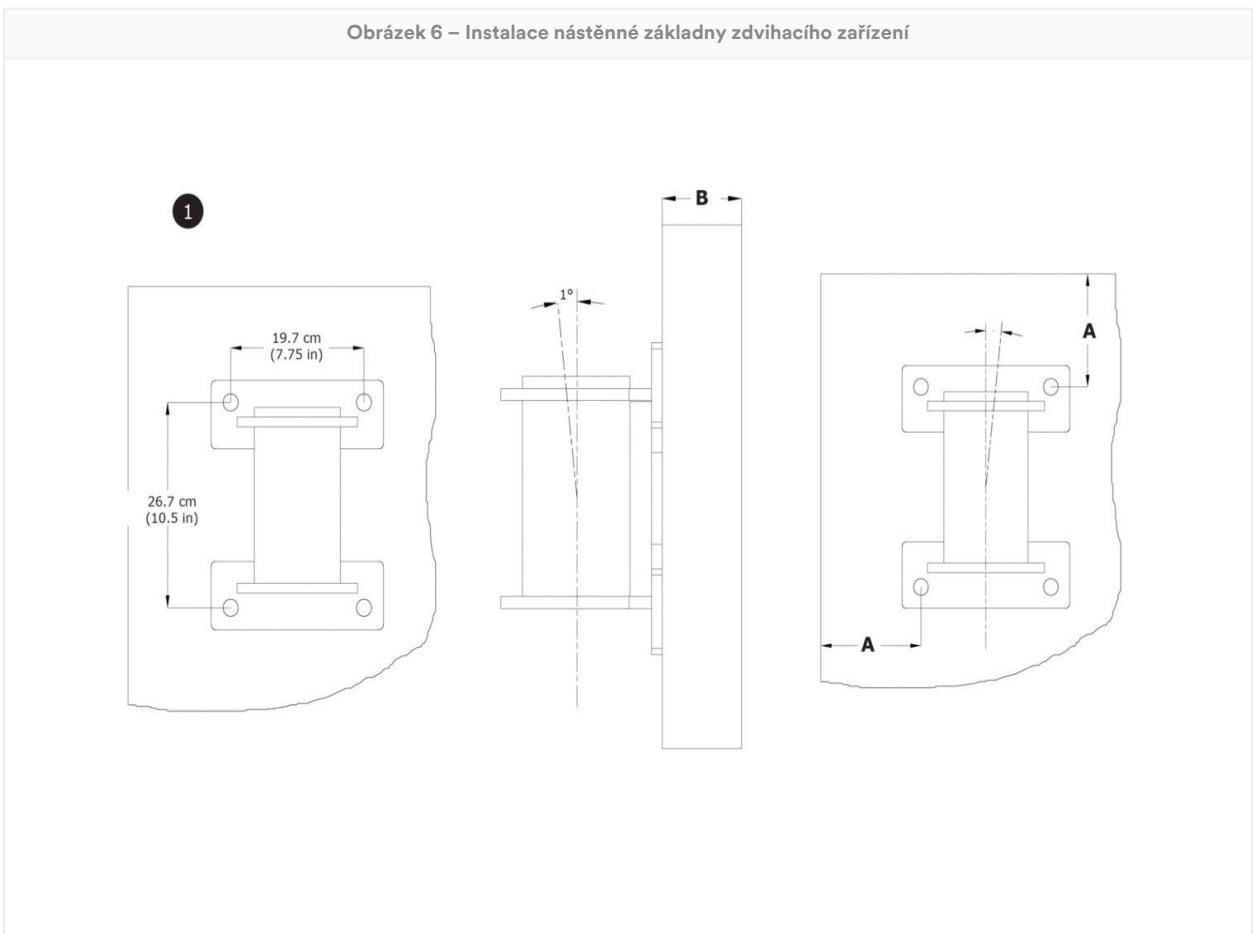
A. Nástěnná základna zdvihacího zařízení: Základnu zdvihacího zařízení je nutno před použitím připravit.

1. **Připravte si místo montáže.** Vyberte montážní povrch vhodný k instalaci základny zdvihacího zařízení a poté určete místo instalace základny. Je nutno zajistit dostatečný odstup od okraje (A) a tloušťku materiálu (B), které vyhovují pevnostním parametrům celé konstrukce a systému. Vyznačte a poté do upevňovacího prvku vyvrtejte všechny montážní otvory s průměrem a hloubkou podle doporučení výrobce.

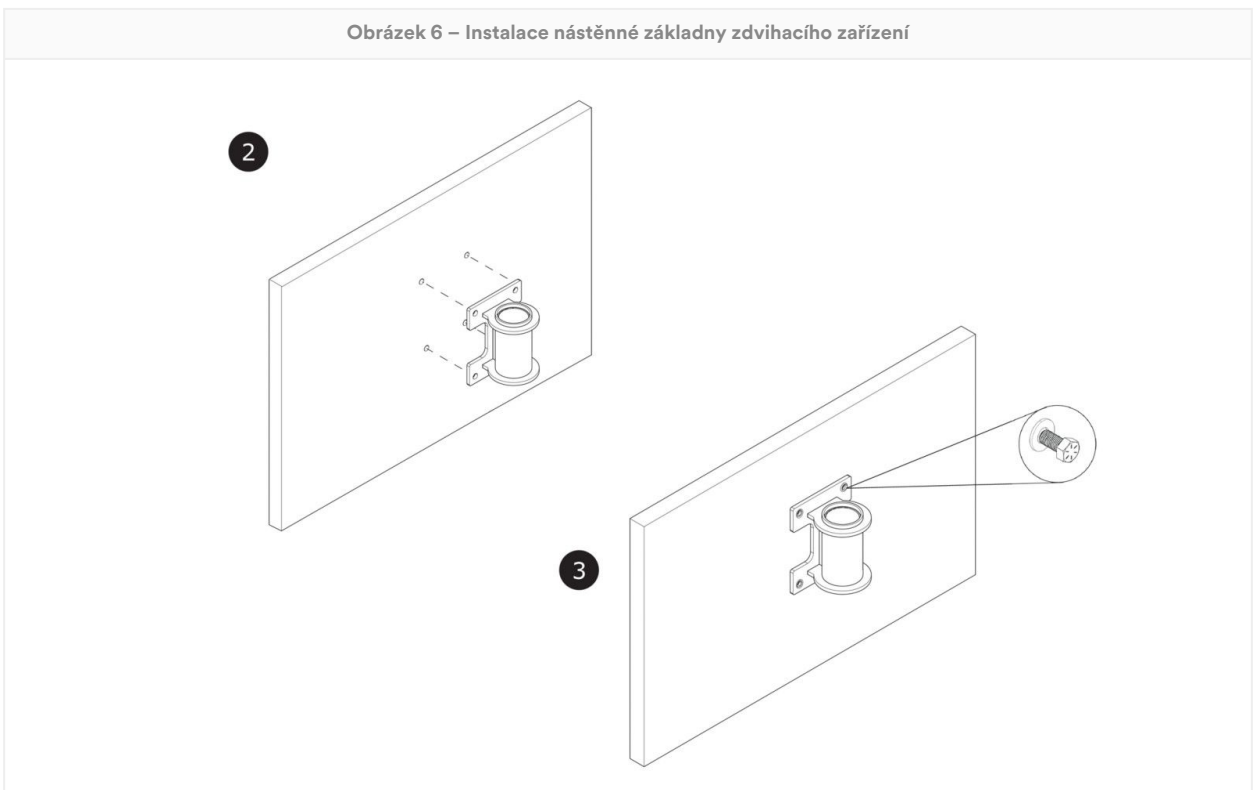
Základna zdvihacího zařízení musí být nainstalována na plochem svislém povrchu.

2. **Umístěte základnu zdvihacího systému.** Zarovnejte otvory v montážní desce s vyvrtanými otvory. Základna zdvihacího zařízení musí být umístěna v rozmezí $\pm 1^\circ$ od svislé polohy.
3. **Zajistěte základnu zdvihacího zařízení.** Uchyťte základnu zdvihacího systému pomocí vybraných upevňovacích prvků uvedených v pokynech výrobce upevňovacích prvků.

Obrázek 6 – Instalace nástěnné základny zdvihacího zařízení



Obrázek 6 – Instalace nástěnné základny zdvihacího zařízení



3.4 Zajištění zdvihacího zařízení: Po instalaci základny zdvihacího zařízení může uživatel připevnit rameno nebo sloupek zdvihacího zařízení k základně. Zdvihací zařízení je nutno připevnit k montážnímu sloupku nebo uvnitř objímky základny zdvihacího zařízení, a to dle typu použité základny. Ověřte, zda je zdvihací zařízení bezpečné a zda jsou správně použita všechna vodítka a pojistné kolíky. Další informace najdete v pokynech výrobce ke zdvihacímu zařízení nebo zdvihacímu systému.

4.0 Použití

4.1 Před každým použitím: Ověřte, zda vaše pracoviště a systém jištění proti pádu splňují všechny podmínky stanovené v těchto pokynech. Ověřte, zda existuje formální záchranný plán. Produkt zkontrolujte podle kontrolních bodů „Uživatel“, které jsou uvedeny v části „Deník kontrol a údržby“. Jestliže kontrola odhalí nebezpečný či vadný stav nebo pokud se vyskytnou jakékoli pochybnosti o bezpečném použití produktu, okamžitě jej vyřadte z provozu. Produkt jasně označte nápisem „NEPOUŽÍVAT“. Podrobnější informace najdete v části 5.

4.2 Ukotvení: Kromě nosnosti produktu musí každý systém ochrany proti pádu zohledňovat pevnost všech podpůrných konstrukcí nebo součástí.

1. **Kotvicí konstrukce:** Kotvicí konstrukce zajišťující tento produkt musí být schopna odolat veškerým požadovaným zatížením, která povoluje systém ochrany proti pádu tohoto produktu.

Momentové zatížení	136 400 in lb (15,41 kNm)
--------------------	---------------------------

2. **Kotvicí spojky:** Kotevní spojky použité s produktem musí být schopny odolat jakémukoli zatížení působícímu na produkt.
3. **Upevňovací prvky:** Veškeré upevňovací prvky zajišťující výrobek na místě musí být dostatečně pevné, aby výrobek během používání bezpečně udržely. Další informace najdete v pokynech výrobce příslušných dílčích systémů.

Výtažná síla upevňovacího prvku	8000 lbf (35,59 kN)
Pevnost ve smyku na spojovací prvek	5000 lbf (22,2 kN)

4.3 Dojde-li k pádu: Pokud je zařízení vystaveno síle působící při pádu nebo nárazu, okamžitě je vyřadte z provozu. Zařízení označte viditelným nápisem „NEPOUŽÍVAT“. Podrobnější informace najdete v části 5.

4.4 Nosnost materiálu: Společnost 3M povoluje použití tohoto produktu k manipulaci s materiálem podle pokynů. Je možné, že platné předpisy nebo normy obsahují další omezení nebo regulují používání zařízení na ochranu proti pádu při manipulaci s materiálem.

⚠CAUTION:

Tento produkt lze pro manipulaci s materiálem použít pouze v kombinaci s kompatibilním zdvihacím zařízením. Nikdy neupevňujte náklad materiálu přímo na základnu zdvihacího zařízení.

Před zajištěním nákladu materiálu si ověřte, zda je připraven k přepravě.

Nikdy produkt nezajišťujte současně k materiálu a uživatelům.

Výrobek používaný pro manipulaci s materiálem musí před dalším použitím zkontrolovat kompetentní osoba. Je možné, že platné předpisy nebo normy omezují střídavé použití pro osoby a pro manipulaci s materiálem.

1. **Zajistěte zdvihací zařízení** Zajistěte zdvihací zařízení k jeho základně dle popisu v návodu k použití.
2. **Zajistěte spojovací subsystém ke zdvihacímu zařízení.** Další informace najdete v pokynech výrobce ke zdvihacímu zařízení.
3. **Přípevněte jisticí lano k nákladu materiálu.** Podle potřeby snižte nebo zvyšte zatížení materiálu.

Nosnost materiálu

750 lb (340 kg)

5.0 Kontrola

Zařízení vyřazené z provozu nelze znovu začít používat, dokud kompetentní osoba písemně nepotvrdí, že je to přípustné.

5.1 Četnost kontrol: Uživatel musí produkt zkontrolovat před každým použitím, a dále musí jej musí nejpozději vždy po jednom roce zkontrolovat způsobilá osoba, která není zároveň uživatelem. Vyšší četnost používání zařízení a náročnější

podmínky mohou vyžadovat zvýšení četnosti kontrol kompetentními osobami. Četnost těchto kontrol by měla být stanovena způsobilou osobou podle zvláštních podmínek pracoviště.

Platná norma nebo oblast	Předepsaná frekvence kontrol způsobilých osob
ANSI a OSHA	Jednou ročně
Evropské normy	Jednou ročně
AS/NZS	Jednou ročně

5.2 Kontrolní postupy: Produkt zkontrolujte podle postupů, které jsou uvedeny v části „Deník kontrol a údržby“. Vlastník tohoto zařízení by měl uchovávat dokumentaci z každé kontroly. Deník kontrol a údržby by měl být umístěn v blízkosti produktu nebo by jinak měl být snadno přístupný uživatelům. Doporučuje se, aby byl produkt označen datem příští nebo poslední kontroly.

5.3 Závady: Pokud nelze produkt znovu zařadit do provozu kvůli existující závadě nebo nebezpečnému stavu, je třeba jej buď zlikvidovat, nebo zaslat společnosti 3M nebo autorizovanému servisnímu středisku společnosti 3M k opravě.

5.4 Životnost produktu : funkční životnost produktu závisí na provozních podmínkách a údržbě. Produkt může být v provozu tak dlouho, dokud vyhovuje kontrolním kritériím.

6.0 Údržba, skladování a opravy

Zařízení, které vyžaduje údržbu nebo je u něj naplánována údržba, by mělo být označeno štítkem „NEPOUŽÍVAT“. Tyto štítky zařízení je možné odstranit až po provedení údržby.

6.1 Čištění: Kovové části produktu pravidelně čistěte teplou vodou a jemným mýdlovým roztokem. Produkt opláchněte čistou vodou, a poté jej nechte uschnout na vzduchu. Další informace naleznete v technickém bulletinu na našich webových stránkách: <https://www.3M.com/FallProtection/Mechanical-Device-Cleaning>

6.2 Oprava: Opravy tohoto zařízení smí provádět pouze společnost 3M nebo třetí strany s písemným oprávněním společnosti 3M.

6.3 Skladování a přeprava: Produkt skladujte v chladném, suchém a čistém prostředí na místě, kde není vystaven přímému slunečnímu záření. Vyvarujte se uložení v prostorách, kde se mohou vyskytovat chemické výpary. Po delším skladování součástí důkladně překontrolujte.

Trvale instalované základny nesmějí opustit pracoviště. Jiné komponenty mohou být z těchto základen odebrány za účelem skladování nebo přepravy, ale základna musí zůstat.

⚠WARNING:

Náhlé přechody mezi teplým a extrémně chladným prostředím mohou ovlivnit provozní parametry zařízení. Mechanická zařízení (tj. zatahovací zařízení, navijáky, vytahovací zařízení, šplhací rukávy atd.) je nutno přizpůsobit pro použití v extrémním chladu nebo horku tím, že se skladují při teplotách podobných pracovnímu prostředí. Před použitím zařízení vždy proveďte jeho kontrolu v daném pracovním prostředí.

7.0 Štítky a značky

7.1 Shrnutí: Obrázek „Štítky produktu“ znázorňuje štítky a označení na produktu. Níže naleznete přehled informací uváděných na jednotlivých štítcích a označeních.

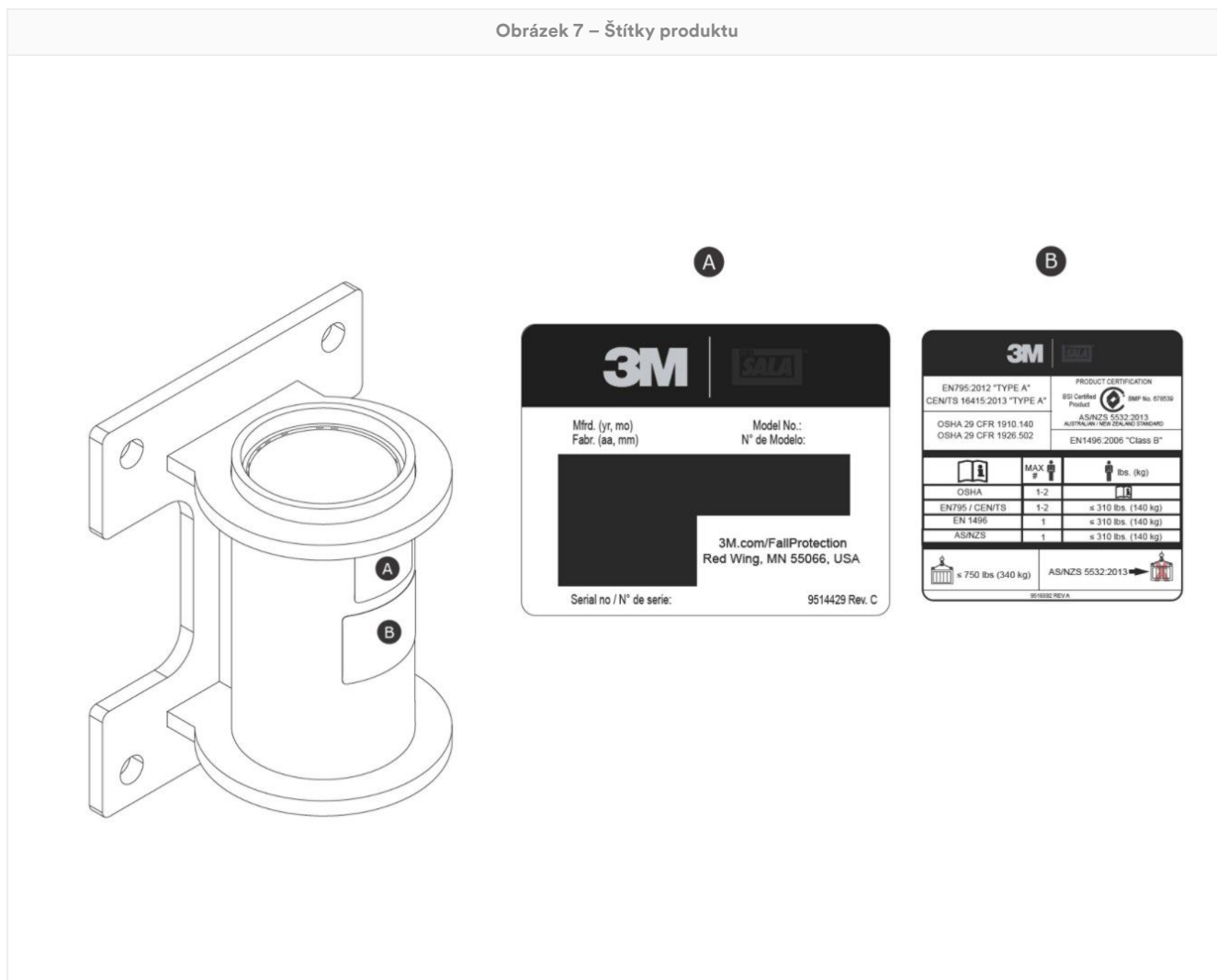
NOTICE:

Obrázky štítků jsou ilustrační. Konkrétní informace naleznete na štítcích vašeho produktu.

Chybějící nebo poškozené štítky je třeba vyměnit. Všechny štítky musí být zcela čitelné.

A	Štítek se specifikacemi produktu
B	Identifikační štítek

Obrázek 7 – Štítky produktu



Glosář

Definice: V těchto pokynech jsou používány následující pojmy a definice:

Úplný seznam pojmů a definic naleznete na našich webových stránkách: www.3m.com/FallProtection/ifu-glossary

- **Oprávněná osoba:** Osoba pověřená zaměstnavatelem k výkonu povinností na místě, kde bude vystavena nebezpečí pádu z výšky.

- **Kompetentní osoba:** Osoba schopná identifikovat existující a předvídatelné nebezpečí v okolním prostředí nebo pracovní podmínky, které jsou pro pracovníky zdravotně závadné, rizikové nebo nebezpečné, a která je pověřena přijímat okamžitá nápravná opatření k jejich odstranění.
- **Systém jištění proti pádu:** Sada vybavení pro ochranu proti pádu nakonfigurovaná tak, aby chránila uživatele v případě pádu.
- **Kvalifikovaná osoba:** Osoba s uznaným titulem, osvědčením či odborným postavením nebo osoba, která na základě rozsáhlých znalostí, školení a zkušeností úspěšně prokázala svou schopnost řešit nebo vyřešit problémy týkající se ochrany proti pádu a záchranného systému v rozsahu požadovaném příslušnými státními, regionálními a místními předpisy.
- **Záchranný systém:** Sada vybavení pro ochranu proti pádu nakonfigurovaná tak, aby osobu přesunula z místa nebezpečí na bezpečné místo. Nedovoluje volný pád.
- **Záchranář:** Osoba používající záchranný systém k provedení asistované záchrany.
- **Přidržovací systém:** Sada vybavení pro ochranu proti pádu nakonfigurovaná tak, aby se osoba nedostala do bodu, kde hrozí nebezpečí pádu. Nedovoluje volný pád.
- **Uživatel:** Osoba, která provádí aktivity a zároveň je chráněna systémem pro ochranu proti pádu.
- **Systém polohování při práci:** Sada vybavení pro ochranu proti pádu nakonfigurovaná tak, aby uživatele podporovala v jeho pracovní poloze.

Deník kontrol a údržby

Kopie této tabulky se používá při každé kontrole. Údaje zaznamenávejte níže.

Výrobce: 3M Fall Protection

Číslo modelu (sériové číslo):

Datum nákupu:

Datum prvního použití:

Uživatel musí před každým použitím produkt zkontrolovat. Kromě toho musí jiná kompetentní osoba než uživatel kontrolovat toto zařízení v intervalech uvedených v části 5.

Součást	Postup kontroly	Výsledek kontroly (vyhovuje nebo nevyhovuje)
Produkt (obrázek 2)	Zkontrolujte, zda není základna zdvihacího zařízení poškozená, zdeformovaná, zkorodovaná nebo nevykazuje korozi. Hledejte praskliny, ohyby, promáčkliny nebo opotřebení, které by mohly ovlivnit pevnost a provoz systému. Při kontrole koroze byste měli také zkontrolovat kotvicí zařízení, jeho upevňovací prvky nebo spojovací materiál a konstrukci, ke které je kotvicí zařízení připevněno.	
	Zkontrolujte, zda veškeré upevňovací prvky nejsou poškozené nebo zkorodované. V případě potřeby proveďte jejich utažení.	
	Zkontrolujte, zda veškeré pohyblivé díly nejsou naštípnuté, prasklé, zlomené nebo opotřebované, což by mohlo narušit provoz.	
Štítky	Žádné štítky nesmějí chybět a musí být plně čitelné.	
Zařízení na ochranu proti pádu	Další vybavení pro ochranu proti pádu, které se používá spolu s výrobkem, se instaluje a kontroluje podle pokynů výrobce. Ověřte, zda je hodnocení pevnosti všech produktů kompatibilní a dostatečné pro daný účel použití.	

Shrnutí kontroly výrobku

Pokud produkt neprojde postupem kontroly, pak neprojde celkovou kontrolou. Pokud produkt neprojde kontrolou, okamžitě jej vyřadte z provozu. Produkt jasně označte nápisem „NEPOUŽÍVAT“. Podrobnější informace najdete v části 5.

Typ kontroly:

Uživatel

Kompetentní osoba

Celkový výsledek kontroly:

Kontrolu provedl(a):

Datum kontroly:

Podpis:

Další termín kontroly:


Další poznámky:

Certifikace

Produkt vyhovuje národním a regionálním normám uvedeným na přední straně obálky této příručky. Certifikace a shoda se mohou omezovat na jednotlivé modely produktů nebo jejich použití.

Další informace o certifikaci nebo požadavcích na shodu naleznete v příslušných normách a předpisech uvedených pro daný produkt.

Uživatelé podle norem AS/NZS najdou požadavky na výběr, používání, údržbu a školení v AS/NZS 1891.4.

<p>Produkt s certifikací BSI</p> <p>AS/NZS 5532:2013</p> <p>Licence: BMP 678539</p>	<p>BSI - Sídllo Suite 1, Level 1, 54 Waterloo Road Macquarie Park, NSW, 2113 Austrálie</p>	
---	--	---

Globální záruka na výrobek, omezené opravné prostředky a omezení odpovědnosti

Záruka: Následující záruka nahrazuje veškeré záruky nebo podmínky, ať již výslovné nebo implicitní, a to včetně implicitních záruk nebo podmínek prodejnosti nebo vhodnosti pro daný účel.

Nestanoví-li místní zákony jinak, vztahuje se tato záruka na výrobky společnosti 3M pro ochranu proti pádu na tovarní vady ve zpracování a materiálech po dobu jednoho roku ode dne instalace nebo prvního použití původním majitelem.

Omezené opravné prostředky: Společnost 3M na základě písemného upozornění poslaného společností 3M opraví nebo nahradí jakýkoli výrobek, u něhož společnost 3M shledá tovarní vadu ve zpracování nebo materiálech. Společnost 3M si vyhrazuje právo požadovat, aby byl výrobek vrácen do jejího zařízení pro posouzení záručních reklamací. Tato záruka se netýká poškození výrobku z důvodu opotřebení, zneužití, nesprávného použití, poškození při přepravě, neprovádění údržby výrobku nebo jiných škod, které jsou mimo kontrolu společnosti 3M. Společnost 3M bude výhradním posuzovatelem stavu výrobku a možností záruky.

Tato záruka se vztahuje pouze na původního kupujícího a jedná se o jedinou záruku, která se vztahuje na výrobky společnosti 3M pro ochranu proti pádu. Potřebujete-li pomoci, obraťte na oddělení zákaznických služeb společnosti 3M ve svém regionu.

Omezení odpovědnosti: V rozsahu povoleném místními zákony neodpovídá společnost 3M žádným způsobem za žádné nepřímé, náhodné, zvláštní či následné škody, a to mimo jiné včetně ušlého zisku, které se týkají výrobků, bez ohledu na uplatněný právní výklad.

3M™ DBI-SALA® vægmonteret Davit-base

Brugervejledning

Formularnummer: 5903663, Revision: F

Dette produkt er certificeret til eller i overensstemmelse med følgende standarder og krav. Certificering og overensstemmelse kan begrænses til individuelle produktmodeller eller anvendelsesformål. Du kan finde flere oplysninger under *Certificeringer*.

- OSHA 29 CFR 1910.140, 1926.502
- EN 795:2012 (Type A)
- CEN/TS 16415:2013 (Type A)
- EN 1496:2006 (afsnit 4.6)
- AS/NZS 5532:2013

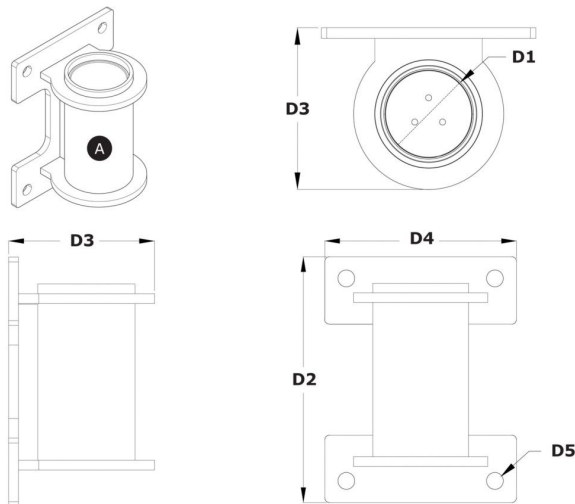
⚠WARNING:

For identifikation af produktkoder henvises til produktspecifikationstabellerne. Se produktoversigten for at få flere produktoplysninger.

Visse komponenter er muligvis ikke certificeret individuelt og kan kræve samling for at certificeringskravene overholdes.

Figur 1 – Produktoversigt

Model	Stil	D1	D2	D3	D4	D5	Produktvægt
8000101	A	10,2 cm	32,4 cm	19,0 cm	25,4 cm	22,2 mm	15,7 kg
8000102	A	10,2 cm	32,4 cm	19,0 cm	25,4 cm	22,2 mm	15,7 kg



Sikkerhedsoplysninger

Læs alle sikkerhedsoplysninger i denne vejledning, og sørg for, at du forstår og følger disse, før du bruger dette produkt. UNDLADELSE HERAF KAN MEDFØRE ALVORLIG PERSONSKADE ELLER DØDSFALD.

Denne vejledning skal udleveres til brugeren af udstyret. Opbevar denne vejledning til senere brug.

Sikkerhedsoplysninger

Formular: 5908277, Revision: B

Tilsigtet anvendelse

Dette produkt bruges som en del af et komplet faldsikringssystem.

Enhver anden brug end denne, herunder, men ikke begrænset til, ikke-godkendt materialehåndtering, rekreative eller sportslige aktiviteter eller andre aktiviteter, der ikke er beskrevet i denne vejledning, er ikke godkendt af 3M og kan medføre alvorlig personskade eller død.

Dette produkt må kun benyttes af uddannede brugere til anvendelse på arbejdspladsen.

Advarsel

Dette produkt bruges som en del af et komplet faldsikringssystem.

Alle brugere skal være fuldt uddannede i sikker installation og drift af deres komplette faldsikringssystem. Misbrug af dette produkt kan medføre alvorlig personskade eller død. For korrekt valg, betjening, installation, vedligeholdelse og service henvises til alle brugervejledninger og producentens anbefalinger. Tal med din supervisor, eller kontakt 3M's tekniske service for yderligere oplysninger.

- **For at reducere risiciene ved at bruge en adgangs-/redningsanordning til lukkede rum, som, hvis de ikke undgås, kan medføre alvorlig skade eller død:**
 - Undersøg produktet før hver brug og efter ethvert fald i overensstemmelse med procedurerne specificeret i denne vejledning.
 - Hvis eftersynet afslører usikre eller defekte tilstande, skal produktet omgående tages ud af drift og mærkes med "MÅ IKKE ANVENDES". Produktet skal destrueres eller repareres som foreskrevet i denne vejledning.
 - Ethvert produkt, som har været udsat for faldsikring eller kraftpåvirkninger, skal straks tages ud af brug. Produktet skal destrueres eller repareres som foreskrevet i denne vejledning.
 - Sørg for, at faldsikringssystemer, der er sammensat af komponenter fra forskellige producenter, er kompatible og opfylder alle gældende faldsikringsbestemmelser, -standarder eller -krav. Opsøg altid en kompetent person, før du anvender disse systemer.
 - Produktet må kun installeres som beskrevet i brugervejledningen. Installationer og anvendelse uden for omfanget af brugervejledningen skal skriftligt godkendes af 3M.
 - Man må kun tilkoble faldsikringsundersystemer til de angivne forankringsfastgørelsespunkter på produktet.
 - Inden installationen skal du sikre dig, at installationsmetoderne og produktet ikke forstyrrer elektriske ledninger, gasledninger eller andre kritiske materialer eller systemer.
 - Sørg for, at produktet er korrekt konfigureret og installeret til sikker drift som beskrevet i denne vejledning.
 - Du må ikke sno, binde, knytte eller tillade slæk i livlinen.
 - Antallet af tilladte brugere i henhold til denne vejledning må ikke overstiges.
 - Vær forsigtig ved installation, brug og flytning af produktet, da dele i bevægelse kan skabe potentielle klemmepunkter.
 - Alåsnings-/afspæringsprocedurer skal følges, når det er relevant.
 - Tilslut ikke en bruger til systemet, mens det er ved at blive transporteret eller installeret.
- **Overhold følgende for at reducere risici i forbindelse med højdearbejde, som, hvis de ikke undgås, kan medføre alvorlig personskade eller død:**
 - Dit helbred og fysiske tilstand skal tillade dig at arbejde sikkert i højder og modstå alle kræfter, der er forbundet med en faldsikring. Rådfør dig med din læge, hvis du har spørgsmål vedrørende din evne til at bruge dette udstyr.
 - Overstig aldrig den tilladte kapacitet for dit faldsikringsudstyr.
 - Overstig aldrig den maksimale faldafstand, der er specificeret for dit faldsikringsudstyr.
 - Brug ikke faldsikringsudstyr, der under eftersyn konstateres uegnet, eller hvis du er bekymret over brugen eller egnetheden af udstyret. Kontakt 3M's kundeservice, hvis du har nogen spørgsmål.
 - Kombinationer med visse delsystemer og komponenter kan forstyrre driften af dette udstyr. Brug kun kompatible forbindelser. Rådfør dig med 3M's kundeservice, før du bruger dette udstyr sammen med andre komponenter eller undersystemer end dem, der er beskrevet i denne vejledning.
 - Vær særligt forsigtig, når du arbejder i nærheden af maskiner, som bevæger sig, elektrisk fare, ekstreme temperaturer, kemiske farer, eksplosive eller giftige gasser, skarpe kanter eller under overliggende materialer, som kan falde ned på dig eller dit faldsikringsudstyr.
 - Sørg for, at dit produkt er godkendt til brug med de farer, der er i dit arbejdsmiljø.
 - Sørg for tilstrækkelig faldafstand ved højdearbejde.
 - Faldsikringsudstyret må aldrig modificeres eller ændres. Kun 3M eller personer, som 3M skriftligt har bemyndiget, må foretage reparationer på 3M-udstyr.
 - Inden du anvender faldsikringsudstyr, skal du sikre dig, at der er en skriftlig redningsplan, der giver hurtig redning, hvis der opstår et fald.
 - Hvis der sker et fald, skal der straks søges lægehjælp til den faldne person.
 - Brug kun en helsele til anvendelser, der involverer faldsikring. Brug ikke et mavebælte.
 - Minimer svingfald ved så vidt muligt at arbejde lige under forankringspunktet.
 - Der skal anvendes et sekundært faldsikringssystem, når du træner med dette produkt. Personer under uddannelse må ikke udsættes for utilsigtet faldrisiko.
 - Brug altid passende personlige værnemidler under installation, brug eller inspektion af produktet.
 - Man skal aldrig arbejde under en ophængt last eller medarbejder.
 - Sikkerhedslinen skal hele tiden være 100 % fastgjort.

Produktoversigt

Sørg altid for, at du bruger den seneste udgave af din 3M-brugervejledning. Besøg www.3m.com/userinstructions, eller kontakt 3M's kundeservice for at få opdaterede brugervejledninger.

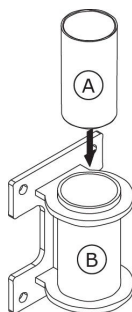
Inden udstyret tages i brug, skal produktoplysningerne fra ID-mærkatet noteres i "Inspektions- og vedligeholdelseslog" på bagsiden af denne vejledning.

Figur 1 illustrerer de tilgængelige produktmodeller. Davit-baser fungerer som den del af Davit-systemet, der hjælper med at fastgøre det til jorden. Daviten er fastgjort til basen, mens den fungerer som et justerbart og bevægeligt forankringspunkt for brugeren. Se producentens instruktioner til den kompatible Davit eller det kompatible Davit-system for at få flere oplysninger om systemanvendelser.

Figur 2 viser de vigtigste komponenter i de tilgængelige produktmodeller. Davit-basen består af to dele: en liner (A) og en Davit-muffe (B). Lineren giver en fastgjort Davit mulighed for at rotere frit inde i Davit-muffen. Muffen indeholder en fastgjort monteringsplade til fastgørelse af Davit-basen til en struktur.

Hver produktmodel har sine egne specifikationer som vist i figur 1. Se produktspecifikationstabellerne for at få flere oplysninger.

Figur 2 – Komponenter



Produktspecifikationstabeller

Systemspecifikationer

Brugerkapacitet:	Se producentens anvisninger til kompatible Davit-modeller for at få flere oplysninger om systemkapacitet.
Standarder:	Hver produktmodel er certificeret til eller overholder de gældende standarder og forordninger, der er angivet i Figur 1. Hvis der ikke er angivet noget, er alle standarder og forordninger på forsiden gældende.

Komponentspecifikationer

Figur 2 Reference	Komponent	Materialer
A	Beklædning	Polyethylen med høj densitet
B	Davit-muffe	8000101: Galvaniseret kulstofstål
		8000102: Rustfrit stål

1.0 Produktanvendelse

1.1 Formål: Davit-systemer fungerer som mobile forankringsstrukturer til faldsikringssystemer. Samling og komponenter afhænger af systemet. Du kan finde flere oplysninger om systemanvendelser under "Produktoversigt" og eventuelle afsnit om montering eller brug.

1.2 Opsyn: Brugen af dette udstyr skal foregå under opsyn af en kompetent person. Installation af dette udstyr skal ske under kyndig vejledning af en kompetent person. En kvalificeret person skal bekræfte, at installationen opfylder lokale og nationale bestemmelser. Fastgørelseselementer og Davit-basen skal også godkendes af en kvalificeret person.

1.3 Videre salg og distribution: Hvis dette produkt videresælges uden for det oprindelige modtagerland, skal den person, der videresælger, sørge for vejledning i brug, vedligeholdelse, regelmæssig inspektion og reparation på sproget i det land, hvor produktet skal bruges.

1.4 Uddannelse: Dette udstyr skal monteres og anvendes af personer, der har gennemgået træning i korrekt anvendelse af udstyret. Denne vejledning bør anvendes som en del af et medarbejdertræningsprogram som påkrævet af nationale, regionale eller lokale standarder. Montørerne og brugerne af dette udstyr har ansvaret for at sikre, at de er bekendte med denne vejledning, er trænet i korrekt vedligeholdelse og anvendelse af udstyret samt er bekendte med anvendelseskarakteristika, anvendelsesbegrænsninger og konsekvenserne af forkert anvendelse af udstyret.

1.5 Redningsplan: Når arbejdsgiveren bruger dette udstyr og tilslutningsundersystemer, skal vedkommende have en redningsplan på skrift og midlerne til at implementere denne plan og til at informere brugere, autoriserede personer og reddere om planen. Det anbefales at have et redningshold på stedet. Medlemmer af redningsteamet skal forsynes med det nødvendige udstyr og kende til de teknikker, der er nødvendige for at gennemføre en vellykket redning. Undervisning skal gennemføres med jævne mellemrum for at sikre, at redderne har de fornødne færdigheder. Redningsfolk skal have adgang til denne vejledning. Under hele redningsforløbet skal man have visuel kontakt eller en anden form for kommunikation med personen, der reddes.

2.0 Systemkrav

2.1 Forankring: Den forankringsstruktur, der sikrer dette produkt, skal kunne modstå ethvert belastningskrav, som er tilladt i henhold til dets faldsikringssystem. Se afsnit 4 for at få flere oplysninger.

2.2 Kapacitet: Brugerkapaciteten for et komplet faldsikringssystem er begrænset til den maksimale kapacitet for den systemkomponent, som har den laveste nominelle kapacitet. Hvis dit tilslutningsundersystem f.eks. har en kapacitet, der er mindre end din seles, skal du overholde kapacitetskravene, der er angivet for tilslutningsundersystemet. Kapacitetskrav findes i producentens anvisninger for de enkelte komponenter i dit system.

2.3 Miljømæssige farer: Brug af dette udstyr i områder med miljøfarer kan kræve yderligere sikkerhedsforanstaltninger for at undgå personskade eller beskadigelse af udstyret. Faremomenter kan omfatte, men er ikke begrænset til: Høj varme, kemikalier, korrosive miljøer, højspændingsledninger, eksplosive eller giftige gasser, kørende maskineri, skarpe kanter eller overliggende materialer, som kan falde ned og ramme brugeren eller udstyret. Du kan få flere oplysninger hos 3M's kundeservice.

2.4 Sikkerhedslinefare: Sørg for, at sikkerhedslinen holdes fri for alle farer, herunder, men ikke begrænset til: sammenfiltring med brugere, andre personer, kørende maskineri, andre genstande i omgivelserne eller stød fra genstande ovenover arbejdsstedet, der kan falde ned på sikkerhedslinen eller brugerne.

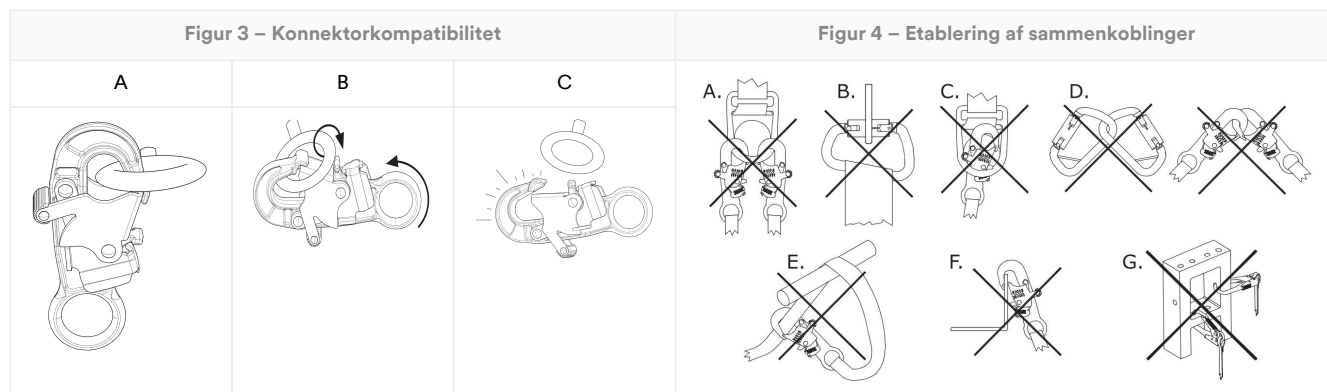
2.5 Komponentkompatibilitet: 3M-udstyr er designet til brug med 3M-udstyr. Brugen af udstyr, der ikke er fra 3M, skal foregå under opsyn af en kompetent person. Udskiftninger foretaget med ikke-godkendt udstyr kan bringe udstyrets kompatibilitet i fare og kan påvirke sikkerheden og pålideligheden af dit faldsikringssystem. Læs og følg alle anvisninger og advarsler for alt udstyr før brug.

2.6 Konnektorkompatibilitet: En konektor er kompatibel med tilslutningselementer, når størrelsen og formen på komponenterne ikke får konektoren til at åbne sig utilsigtet, uanset retningen. Fastgørelsesanordninger skal overholde gældende standarder. Fastgørelsesanordninger skal være helt lukkede og låste under brug.

3M-fastgørelsesanordninger (snapkroge og karabinhager) er udelukkende konstrueret til brug som specificeret i vejledningen til det enkelte produkt. Sørg for, at fastgørelsesanordningerne er kompatible med de systemkomponenter, som de er tilsluttet. Anvend ikke udstyr, der ikke er kompatibelt. Brug af ikke-kompatible komponenter kan forårsage, at fastgørelsesanordningen utilsigtet frakobles. Se figuren for reference. Hvis tilslutningselementet, som en fastgørelsesanordning fastgøres til, er for lille eller har en ujævn form, kan der opstå en situation, hvor tilslutningselementet belaster fastgørelsesanordningens lås (A). Denne belastning kan så få låsen til at åbne sig (B), hvorved fastgørelsesanordningen frigøres fra tilslutningselementet (C).

2.7 Etablering af fastgørelser: Alle konnektorer skal være kompatible, hvad angår størrelse, form og styrke. Se figuren for eksempler på forkerte sammenslutninger. Tilslut ikke snapkroge og karabinhager:

1. Til en D-ring, som en anden fastgøring er fastgjort til.
2. På en måde, som vil medføre belastning på leddet. Store snapkroge bør ikke tilsluttes D-ringe eller andre tilslutningselementer, medmindre snapkroge har en låsestyrke på 16 kN (3.600 lbf) eller mere.
3. I en forkert tilslutning, hvor størrelsen eller formen på fastgørelsesanordningen eller tilslutningselementet ikke er kompatibel og uden visuel bekræftelse og ser ud til at være helt tilkøbet.
4. Til hinanden.
5. Direkte til selenet, taljerebsbenmateriale eller forankringslinens materiale, medmindre en sådan forbindelse er udtrykkeligt tilladt i henhold til producentens anvisninger.
6. Til nogen genstand, hvis størrelse eller form ikke tillader fastgørelsesanordningen at lukke og låse helt, eller som kunne forårsage udrulning af fastgørelsesanordningen.
7. På en måde, som forhindrer fastgøringen i at flugte korrekt under belastning.



3.0 Montering

3.1 Oversigt: Montering af et Davit-system kan være en langvarig procedure i flere trin. Effektiv planlægning og kendskab til dit arbejdssted og dit udstyr er en stor hjælp til at få denne proces til at forløbe så problemfrit som muligt.

3.2 Planlægning: Planlæg dit faldsikringssystem, inden du starter arbejdet. Tag højde for alle faktorer, der kan påvirke din sikkerhed inden, under og efter et fald. Tag alle krav og begrænsninger, som er angivet i denne vejledning, i betragtning.

1. **Skarpe kanter:** Undgå at bruge dette udstyr på steder, hvor systemets komponenter kan komme i kontakt med eller skrabe mod ubeskyttede skarpe kanter og slibende overflader. Alle skarpe kanter og slibende overflader skal dækkes med beskyttende materiale.
2. **Kompatibilitet:** Når du monterer dit system, er det vigtigt, at du anvender kompatible komponenter. Hver produktmodel er kompatibel til brug med et bestemt sæt produktmodeller eller -designs.

Davit-basen kan også modtage alle Davit-mastforlængelser, der er kompatible med de angivne Daviter.

Kompatible Davit-modeller	Brugsanvisning til Davit
8000107	5908417
8000108	5908417
8000130	5908364
8000131	5908364

3.3 Montering af Davit-basen: Monter Davit-basen i henhold til de angivne anvisninger for din produktmodel.

Overfladen af forankringsstrukturen skal ryddes for snavs, før Davit-basen monteres.

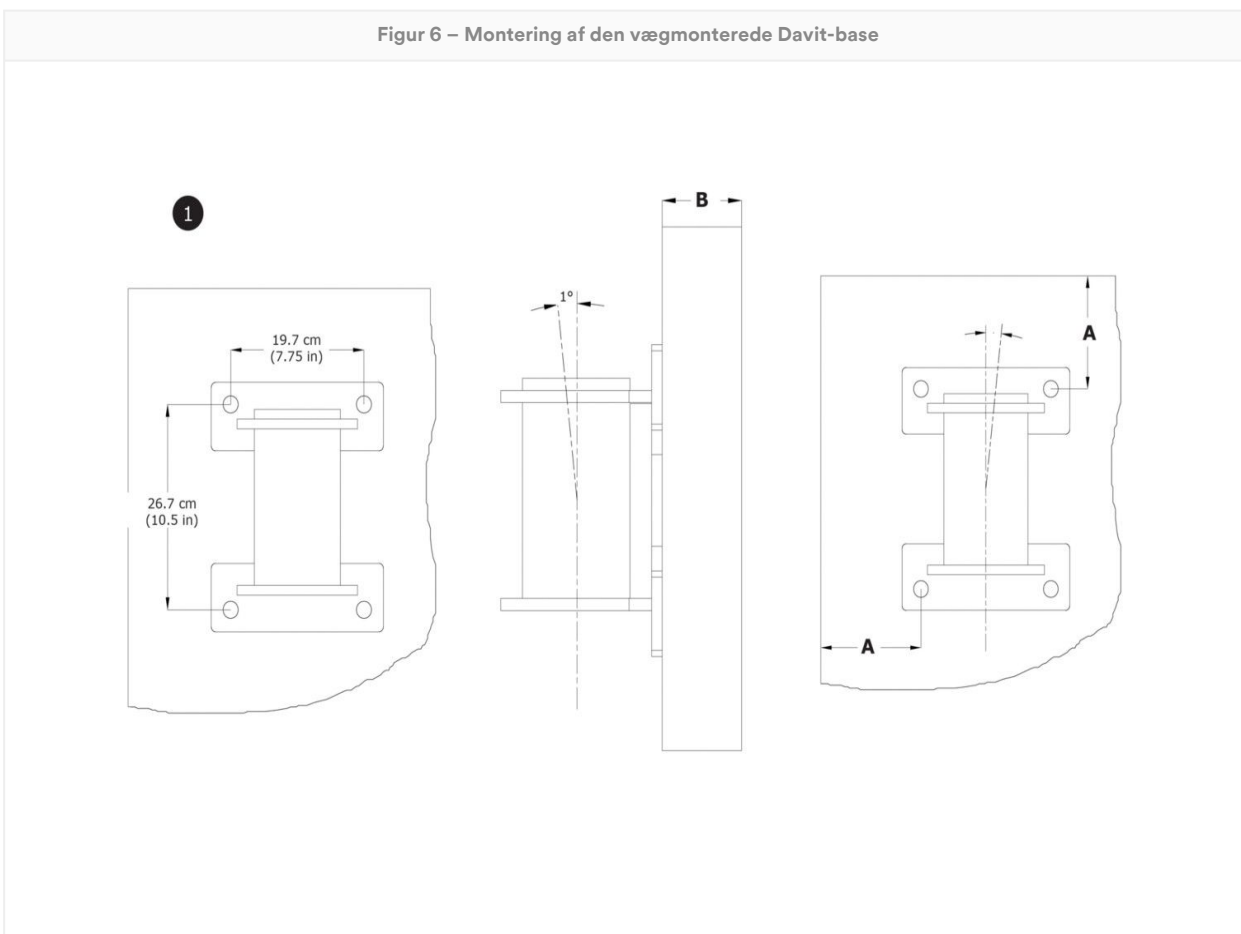
A. **Vægmonteret Davit-base:** Davit-basen skal klargøres inden brug.

1. **Klargør placeringen.** Vælg en passende monteringsoverflade til at montere Davit-basen, og bestem derefter, hvor basen skal monteres. Der skal være nok tilbagerykning fra kanten (A) og materialetykkelsen (B) til at understøtte styrkekravene til din struktur og dit system. Afmærk og bor derefter alle monteringshuller i henhold til den anbefalede dybde og diameter angivet af fastgørelseselementets producent.

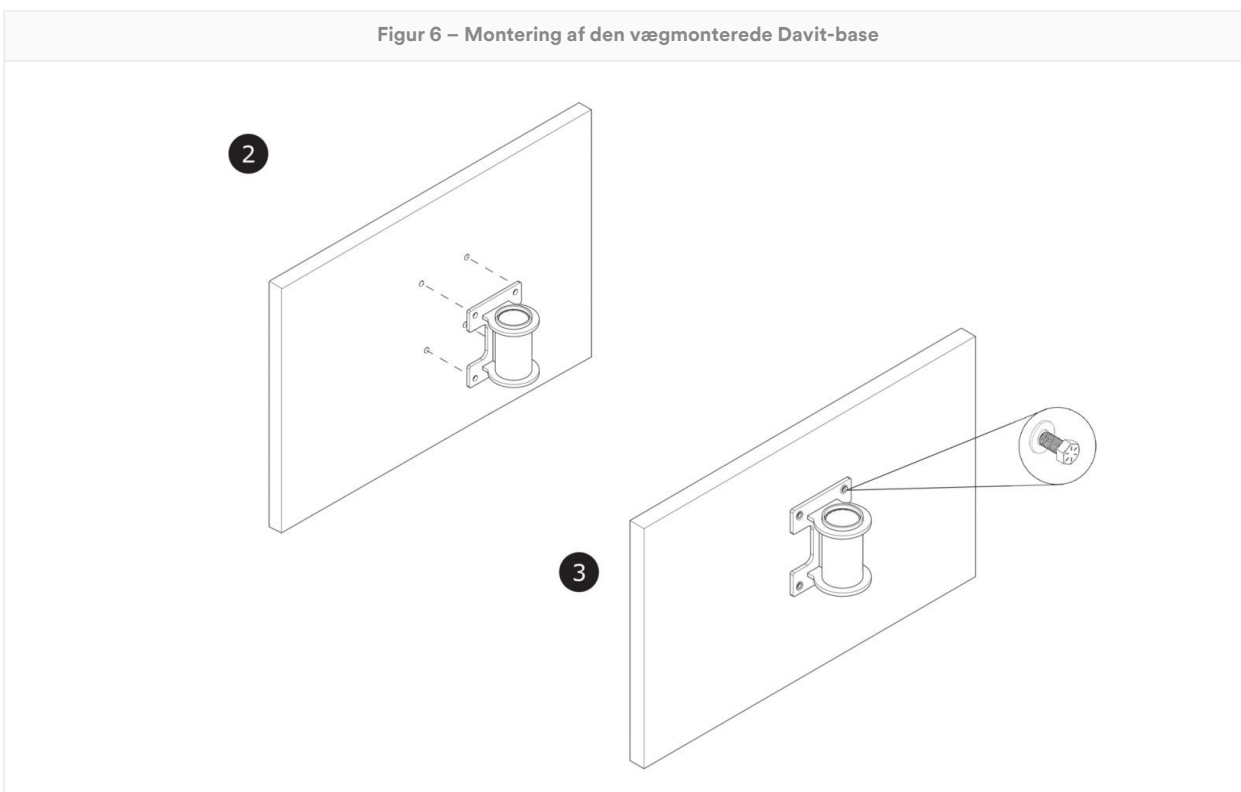
Davit-basen skal monteres på en flad, lodret overflade.

2. **Anbring Davit-basen.** Sørg for, at hullerne i monteringspladen flugter med de borede huller. Davit-basen skal placeres inden for plus eller minus 1 grad fra lodret position.
3. **Fastgør Davit-basen.** Fastgør Davit-basen ved hjælp af de valgte fastgørelseselementer som angivet i brugervejledningen fra producenten af fastgørelseselementet.

Figur 6 – Montering af den vægmonterede Davit-base



Figur 6 – Montering af den vægmonterede Davit-base



3.4 Fastgørelse af Daviten: Efter at Davit-basen er blevet monteret, kan brugeren fastgøre Davit-armen eller -masten til basen. Daviten skal fastgøres til monteringsstangen eller inde i muffen på Davit-basen, alt efter hvad der er relevant for den Davit-base, du bruger. Kontrollér, at Daviten er fastgjort, og at eventuelle skinner eller låsestifter bruges korrekt. Se producentvejledningen til din Davit eller dit Davit-system for at få flere oplysninger.

4.0 Brug

4.1 Før hver ibrugtagning: Tjek, at dit arbejdsområde og faldsikringssystem opfylder alle kriterier, der er angivet i denne brugervejledning. Sørg for, at der forefindes en formaliseret redningsplan. Inspicer produktet i henhold til inspektionspunkterne under "Bruger", der er defineret i "Inspektions- og vedligeholdelsesloggen". Hvis inspektionen påviser en usikker eller defekt tilstand, eller hvis der er tvivl om, hvorvidt produktet er intakt eller sikkert at bruge, skal det omgående tages ud af drift. Markér tydeligt produktet med "MÅ IKKE BRUGES". Se afsnit 5 for at få flere oplysninger.

4.2 Forankring: Ud over produktkapaciteten skal ethvert faldsikringssystem tage højde for styrkerne i eventuelle bærende konstruktioner eller komponenter.

1. **Forankringsstruktur:** Den forankringsstruktur, der fastgør dette produkt, skal kunne modstå de krævede belastninger, som tillades i henhold til dette produkts faldsikringssystem.

Momentbelastning	136.400 in-lb. (15,41 kN*m)
------------------	-----------------------------

2. **Forankringsforbindelsespunkter:** Forankringspunkter, der anvendes sammen med produktet, skal kunne modstå enhver belastning fra produktet.
3. **Fastgørelseselementer:** Eventuelle fastgørelseselementer, der fastgør produktet, skal være stærke nok til at holde produktet fastgjort under brug. Se anvisningerne fra producenten af fastgørelseselementerne for at få flere oplysninger.

Udtrækningskraft for fastgørelseselement	8.000 lbf (35,59 kN)
Forskydningsstyrke pr. fastgørelseselement	5.000 lbf (22,2 kN)

4.3 Efter et fald: Hvis udstyret udsættes for faldstandsning eller kraftpåvirkninger fra stød, skal det tages ud af drift med det samme. Mærk det tydeligt "MÅ IKKE ANVENDES". Se afsnit 5 for at få flere oplysninger.

4.4 Materialehåndtering: 3M tillader brug af dette produkt til materialehåndtering som anvist. Lokale regler eller standarder kan have yderligere begrænsninger eller kan regulere brugen af faldsikringsudstyr med henblik på materialehåndtering.

⚠CAUTION:

Dette produkt skal bruges med en kompatibel Davit, for at det kan bruges til materialehåndtering. Fastgør aldrig en last direkte på Davit-basen.

Før du fastgør din last, skal du kontrollere, at den er klargjort til transport.

Fastgør aldrig dette produkt til materialer og brugere samtidigt.

Produkter, der anvendes til materialehåndtering, skal inspiceres af en kompetent person før næste brug. Lokale regler eller standarder kan begrænse skift mellem brug af personalet og materialehåndtering.

1. **Fastgør Daviten.** Fastgør Daviten til Davit-basen som angivet i brugervejledningen.
2. **Fastgør et tilslutningsundersystem til Daviten.** Se producentvejledningen til din Davit for at få flere oplysninger.
3. **Fastgør livlinen til din last.** Reducer eller øg materialebelastningen efter behov.

Kapacitet af materialehåndtering

340 kg

5.0 Inspektion

Når udstyret er taget ud af brug, kan det ikke tages i brug igen, før en kompetent person skriftligt bekræfter, at det er godkendt til brug.

5.1 Inspektioners hyppighed: Produktet skal inspiceres af brugeren før hver anvendelse og desuden af en anden kompetent person end brugeren med de intervaller, der er angivet nedenfor. Hyppigere brug af udstyret og udfordrende

anvendelsesforhold kan kræve hyppigere inspektioner fortaget af en kompetent person. Hyppigheden af disse inspektioner skal fastsættes af den kompetente person efter hensyntagen til arbejdsstedets specifikke forhold.

Gældende standard eller region	Påkrævet hyppighed af inspektioner af kompetente personer
ANSI og OSHA	En gang om året
EN-standarder	En gang om året
AS/NZS	En gang om året

5.2 Inspektionsprocedurer: Efterse dette produkt i henhold til procedurerne anført i "Inspektions- og vedligeholdelseslog". Ejeren af dette udstyr skal føre dokumentation for hver inspektion. En inspektions- og vedligeholdelseslog skal placeres i nærheden af produktet eller på anden vis være let tilgængelig for brugerne. Det anbefales, at produktet markeres med datoen for næste eller sidste inspektion.

5.3 Defekter: Hvis produktet ikke kan tages i brug igen på grund af en eksisterende defekt eller usikker tilstand, skal produktet enten destrueres eller sendes til reparation hos 3M eller et 3M-autoriseret servicecenter.

5.4 Produktlevetid: Produktets driftsmæssige levetid bestemmes af arbejdsbetingelserne og vedligeholdelsen. Så længe produktet godkendes ved inspektionen, må det fortsat bruges.

6.0 Vedligeholdelse, opbevaring og reparation

Udstyr, der har brug for vedligeholdelse, eller der skal udføres vedligeholdelse af, skal mærkes "MÅ IKKE ANVENDES". Disse udstyrmærkater må ikke fjernes, før der er udført vedligeholdelse af udstyret.

6.1 Rengøring: Rens jævnligt metalkomponenterne på produktet med varmt vand og en mild sæbeopløsning. Skyl produktet med rent vand, og lad det derefter lufttørre. Der henvises til den tekniske bulletin på vores hjemmeside for nærmere oplysninger: <https://www.3M.com/FallProtection/Mechanical-Device-Cleaning>

6.2 Reparation: Kun 3M eller parter med skriftlig bemyndigelse fra 3M må foretage reparationer på dette udstyr.

6.3 Opbevaring og transport: Opbevar og transportér produktet på et køligt, tørt og rent sted uden for direkte sollys. Undgå steder, hvor der kan være kemikaliedampe. Inspicer komponenterne efter længere tids opbevaring.

Baser, der er installeret permanent, bør ikke forlade arbejdsstedet. Andre komponenter kan fjernes fra disse baser i forbindelse med opbevaring eller transport, men basen kan ikke afmonteres.

⚠WARNING:

Pludselige overgange mellem varme og ekstremt kolde omgivelser kan påvirke dit udstyrs funktionsevne. Mekaniske anordninger (f.eks. selvoprullende anordninger, spil, udtræksanordninger, klatremuffer osv.) bør tilpasses til brug i ekstrem kulde eller varme ved at opbevare dem i temperaturer, der svarer til arbejdsmiljøet. Udfør altid en inspektion før brug af dit udstyr i dets arbejdsmiljø, før du tager det i brug.

7.0 Mærkater og mærkninger

7.1 Oversigt: Figuren "Produktetiketter" illustrerer mærkater og markeringer på produktet. Se nedenfor for at få en oversigt over de oplysninger, der følger med hver mærkat og markering.

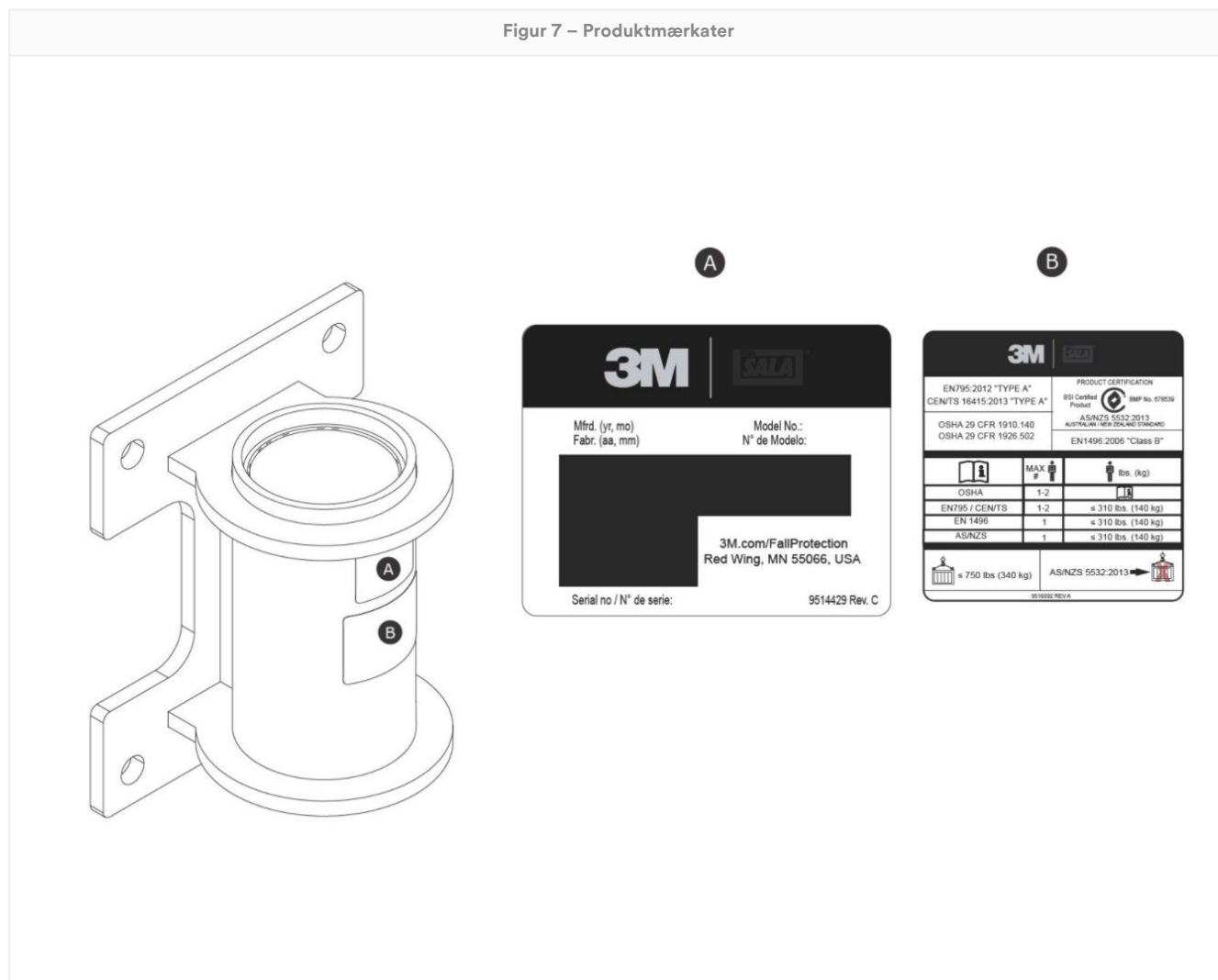
NOTICE:

Billederne på mærkaten er beregnet til at være repræsentative. Se dine produktmærkater vedrørende specifikke oplysninger.

Manglende eller beskadigede etiketter skal udskiftes. Alle etiketter skal være fuldt læselige.

A	Mærkat med produktspecifikationer
B	ID-mærkat

Figur 7 – Produktmærkater



Ordliste

Definitioner: Følgende udtryk og definitioner bruges i denne vejledning:

Find en udtømmende liste over termer og definitioner på vores website: www.3m.com/FallProtection/ifu-glossary

- **Autoriseret person:** En person, der er udpeget af arbejdsgiveren til at udføre opgaver på en beliggenhed, hvor personen vil være udsat for en faldrisiko.

- **Kompetent person:** En person, der er i stand til at identificere eksisterende og forudsigelige risici i omgivelserne eller arbejdsforhold, som er usunde, skadelige eller farlige for medarbejderne, og som har bemyndigelse til at træffe øjeblikkelige korrigerende forholdsregler for at eliminere sådanne risici/forhold.
- **Faldstandsningssystem:** En række faldsikringsudstyr, der er beregnet til at beskytte brugeren i tilfælde af et fald.
- **Kvalificeret person:** En person med en anerkendt uddannelse, et anerkendt certifikat eller professionel status, eller som ved omfattende viden, uddannelse og erfaring har påvist sin evne til at løse problemer i forbindelse med faldsikring og redningssystemer i det omfang, der kræves af gældende nationale, regionale og lokale bestemmelser.
- **Redningssystem:** En række faldsikringsudstyr, der er beregnet til at flytte en person væk fra fare og til et sikkert sted. Frit fald er ikke tilladt.
- **Redder:** En person, der anvender redningssystemet til at udføre en assisteret undsætning.
- **Fastholdelsessystem:** En række faldsikringsudstyr, der er beregnet til at forhindre, at brugeren bliver udsat for faldrisiko. Frit fald er ikke tilladt.
- **Bruger:** En person, der udfører aktiviteter, mens vedkommende er beskyttet af et faldsikringssystem.
- **Arbejdspositioneringssystem:** En række faldsikringsudstyr, der er beregnet til at støtte en bruger i en arbejdsposition.

Inspektions- og vedligeholdelseslog

Der skal anvendes en kopi af denne tabel til hver inspektion. Registrer oplysninger nedenfor.

Producent: 3M Fall Protection

Modelnummer (serienummer):

Købsdato:

Dato for første brug:

Dette produkt skal inspiceres af brugeren før hver anvendelse. Derudover skal en anden kompetent person end brugeren inspicere dette udstyr med de intervaller, der er angivet i afsnit 5.

Komponent	Inspektionsprocedure	Inspektionsresultat (bestået eller ikke bestået)
Produkt (figur 2)	Undersøg hele Davit-basen for skader, deformation, korrosion og rust. Se efter revner, knæk, buler eller slid, der kan påvirke systemets styrke og drift. Når du inspicerer for korrosion, bør du også inspicere forankringsenheden, dens fastgøringer eller fastgørelselementer samt den struktur, som forankringsenheden er fastgjort til.	
	Efterse alle fastgørelsesanordninger for beskadigelse eller korrosion. Spænd efter behov.	
	Efterse alle bevægelige dele for slag, revner, brud eller slidte områder, der kan forårsage funktionsfejl under drift.	
Mærkat	Alle mærkat er til stede og læselige.	
Faldsikringsudstyr	Yderligere faldsikringsudstyr, der bruges sammen med produktet, installeres og inspiceres i henhold til producentens anvisninger. Kontrollér, at brudstyrken for hvert af dine produkter er kompatibel og tilstrækkelig til den tilsigtede anvendelse.	

Oversigt over produktinspektion

Hvis produktet ikke består en inspektionsprocedure, består produktet ikke den overordnede inspektion. Hvis produktet ikke består inspektionen, skal det straks tages ud af drift. Markér tydeligt produktet med "MÅ IKKE BRUGES". Se afsnit 5 for at få flere oplysninger.

Inspektionstype:

Bruger

Kvalificeret person

Samlet inspektionsresultat:

Inspiceret af:

Inspektionsdato:

Underskrift:

Frist for næste inspektion:


Ekstra bemærkninger:

Certificeringer

Dit produkt lever op til de nationale eller regionale standarder, der er angivet på forsiden af denne brugsanvisning. Certificering og overensstemmelse kan begrænses til individuelle produktmodeller eller anvendelsesformål.

For yderligere oplysninger om certificerings- eller overensstemmelseskrav henvises til de gældende standarder og forskrifter, der er anført for dit produkt.

Brugere under AS/NZS-standarder bør konsultere AS/NZS 1891.4 for at få flere oplysninger om valg, brug, vedligeholdelse og træningskrav.

BSI-certificeret produkt AS/NZS 5532:2013 Licens: BMP 678539	BSI – Head Office Suite 1, Level 1, 54 Waterloo Road Macquarie Park, NSW, 2113 Australien	
--	---	---

Global produktgaranti, begrænsede retsmidler og ansvarsbegrænsning

Garanti: Følgende erstatter alle garantier eller betingelser, udtrykkelige eller underforståede, herunder de underforståede garantier eller betingelser for salgbarhed eller egnethed til et specifikt formål.

Bortset fra hvad der sikres ved gældende love, er 3M's produkter til faldsikring omfattet af en garanti mod fabriksdefekter i den håndværksmæssige udførelse og materialer i en periode på et år fra installationsdatoen eller den første ejers ibrugtagingsdato.

Begrænsede retsmidler: Ved skriftlig henvendelse til 3M vil 3M reparere eller erstatte ethvert produkt, der af 3M vurderes at have en fabriksdefekt i den håndværksmæssige udførelse eller materialer. 3M forbeholder sig ret til at kræve produktet returneret til dets anlæg for at vurdere krav om garanti. Denne garanti dækker ikke skade på produktet der skyldes slid, misbrug, forkert brug, transportskade, manglende vedligeholdelse af produktet eller anden skade uden for 3M's kontrol. 3M vil alene fastslå produktets tilstand og mulighederne for garanti.

Denne garanti gælder kun for den oprindelige køber og er den eneste garanti gældende for 3M's produkter til faldsikring. Kontakt 3M's kundeserviceafdeling i dit område for at få hjælp.

Ansvarsbegrænsning: I den udstrækning det tillades af lokale love, er 3M ikke ansvarlig for nogen indirekte, tilfældige, specielle eller påfølgende skader, herunder men ikke begrænset til tab af fortjeneste, der på nogen måde er relateret til produkterne uanset den udlagte juridiske teori.

3M™ DBI-SALA® Auslegersockel für die Wandmontage

Gebrauchsanweisung

Formularnummer: 5903663, Revision: F

Dieses Produkt ist nach den folgenden Normen und Vorschriften zertifiziert oder erfüllt diese entsprechend. Die Zertifizierung und Konformität kann auf einzelne Produktmodelle oder Anwendungen beschränkt sein. Weitere Informationen finden Sie unter *Zertifizierungen*.

- OSHA 29 CFR 1910.140, 1926.502
- EN 795:2012 (Typ A)
- CEN/TS 16415:2013 (Typ A)
- DE 1496:2006 (Klausel 4.6)
- AS/NZS 5532:2013

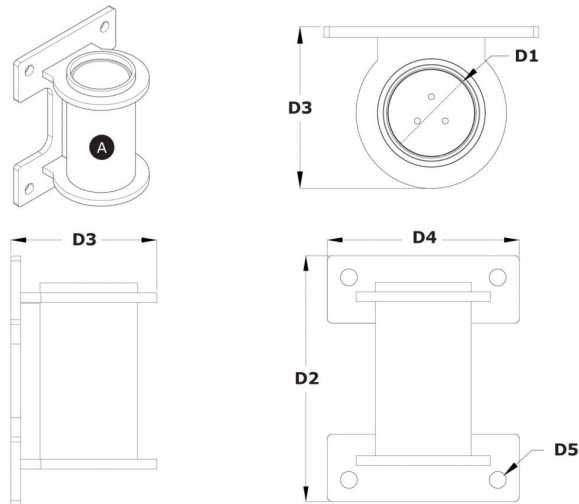
⚠WARNING:

Produktcodes finden Sie in den Tabellen zu den Produktspezifikationen. Weitere Produktinformationen finden Sie in der Produktübersicht.

Einige Komponenten sind möglicherweise nicht einzeln zertifiziert und müssen zusammengebaut werden, um die Zertifizierungsanforderungen zu erfüllen.

Abbildung 1 – Produktübersicht

Modell	Stil	D1	D2	D3	D4	D5	Produktgewicht
8000101	A	4,0 Zoll (10,2 cm)	12,75 Zoll (32,4 cm)	7,5 Zoll (19,0 cm)	10,0 Zoll (25,4 cm)	0,88 Zoll (22,2 mm)	34,0 lb. (15,7 kg)
8000102	A	4,0 Zoll (10,2 cm)	12,75 Zoll (32,4 cm)	7,5 Zoll (19,0 cm)	10,0 Zoll (25,4 cm)	0,88 Zoll (22,2 mm)	34,0 lb. (15,7 kg)



Sicherheitshinweise

Bitte lesen, verstehen und befolgen Sie vor der Verwendung dieses Produkts alle Sicherheitshinweise in diesem Handbuch. NICHTBEACHTUNG KANN ERNSTE VERLETZUNGEN ODER DEN TOD ZUR FOLGE HABEN.

Diese Anweisungen müssen dem Benutzer dieser Ausrüstung zur Verfügung gestellt werden. Bewahren Sie diese Anweisungen für den späteren Gebrauch auf.

Sicherheitshinweise

Formular: 5908277, Revision: B

Verwendungszweck

Dieses Produkt wird als Teil eines kompletten Absturzicherungssystems verwendet.

Die Verwendung zu anderen Zwecken, u. a. bei Materialtransport, Freizeitaktivitäten, Sportaktivitäten oder anderen, nicht in der Gebrauchsanleitung beschriebenen Aktivitäten ist nicht durch 3M genehmigt und kann zu schweren Verletzungen oder zum Tod führen.

Dieses Produkt darf nur von Personen verwendet werden, die in der Verwendung am Arbeitsplatz geschult sind.

Warnung

Dieses Produkt wird als Teil eines kompletten Absturzicherungssystems verwendet.

Alle Benutzer müssen vollständig in der sicheren Installation und Bedienung ihres kompletten Absturzicherungssystems geschult sein. Der unsachgemäße Gebrauch dieses Produkts kann ernste Verletzungen oder den Tod zur Folge haben. Für die richtige Auswahl, den Betrieb, die Installation, die Wartung und den Service beachten Sie bitte alle Bedienungsanleitungen und Herstellerempfehlungen. Weitere Informationen erhalten Sie von Ihrem Vorgesetzten oder vom Technischen Dienst von 3M.

- **Maßnahmen zur Reduzierung der Risiken (die, wenn sie nicht vermieden werden, zu schweren Verletzungen oder zum Tod führen können) im Zusammenhang mit einem Einstiegs-/Bergungssystem für enge Räume:**
 - Inspizieren Sie das Produkt vor jedem Gebrauch und nach jedem Absturzereignis gemäß den in dieser Anleitung angegebenen Verfahren.
 - Falls bei der Inspektion ein unsicherer oder mangelhafter Zustand festgestellt wird, nehmen Sie das Produkt außer Betrieb und markieren Sie es eindeutig als „ZUR VERWENDUNG UNGEEIGNET“. Zerstören oder reparieren Sie das Produkt gemäß dieser Anleitung.
 - Jedes Produkt, das einem Absturz oder Aufprallkräften ausgesetzt war, muss sofort aus dem Betrieb genommen werden. Zerstören oder reparieren Sie das Produkt gemäß dieser Anleitung.
 - Stellen Sie sicher, dass Absturzicherungssysteme, die aus Komponenten verschiedener Hersteller bestehen, kompatibel sind und alle geltenden Vorschriften, Normen oder Anforderungen an die Absturzicherung erfüllen. Ziehen Sie stets eine sachkundige Person zu Rate, bevor Sie diese Systeme verwenden.
 - Das Produkt darf nur so installiert werden, wie es in seiner Gebrauchsanweisung beschrieben ist. Nicht in der Bedienungsanleitung beschriebene Installationsweisen und Verwendungen müssen schriftlich von 3M genehmigt werden.
 - Nur Teilsysteme zur Absturzicherung mit dem gekennzeichneten Verankerungspunkt am Gerät verbinden.
 - Vergewissern Sie sich vor der Installation, dass die Montagemethoden und das Produkt nicht mit elektrischen Leitungen, Gasleitungen oder anderen kritischen Materialien oder Systemen in Konflikt geraten können.
 - Stellen Sie sicher, dass das Produkt für einen sicheren Betrieb ordnungsgemäß konfiguriert und installiert ist, wie in dieser Anleitung beschrieben.
 - Verdrehen Sie das Sicherungsseil nicht, binden Sie es nicht fest, verknoten Sie es nicht und lassen Sie es nicht durchhängen.
 - Überschreiten Sie nicht die in dieser Anleitung angegebene Anzahl der zulässigen Benutzer.
 - Seien Sie vorsichtig, wenn Sie das Produkt installieren, verwenden oder bewegen, da durch bewegliche Teile Quetschpunkte entstehen können.
 - Falls zutreffend, müssen die Lockout/Tagout-Verfahren befolgt werden.
 - Stellen Sie keine Verbindung mit dem System her, während es gerade transportiert oder installiert wird.
- **Maßnahmen zur Reduzierung der Risiken (die, wenn sie nicht vermieden werden, zu schweren Verletzungen oder zum Tod führen können) im Zusammenhang mit Arbeiten in der Höhe:**
 - Ihr Gesundheitszustand und Ihre körperliche Verfassung müssen es Ihnen ermöglichen, sicher in der Höhe zu arbeiten und allen Kräften standzuhalten, die mit einem Auffangvorgang verbunden sind. Konsultieren Sie Ihren Arzt, wenn Sie Fragen bezüglich Ihrer Fähigkeit haben, diese Ausrüstung zu verwenden.
 - Überschreiten Sie niemals die zulässige Belastbarkeit für Ihre Absturzicherungsgeräte.
 - Überschreiten Sie niemals die maximale Absturzhöhe Ihrer Absturzicherungsgeräte.
 - Verwenden Sie Schutzausrüstung gegen Absturz nur, wenn sie geprüft wurde oder wenn Sie keinerlei Bedenken hinsichtlich der Verwendung oder Eignung der Ausrüstung haben. Wenden Sie sich bei allen Fragen an den Kundendienst von 3M.
 - Manche Kombinationen mit Teilsystemen und Komponenten können die Funktionsweise dieser Ausrüstung beeinträchtigen. Verwenden Sie nur kompatible Verbindungselemente. Wenden Sie sich an den Kundendienst von 3M, bevor Sie diese Ausrüstung in Kombination mit anderen Komponenten oder Teilsystemen verwenden als denen, die in diesem Benutzerhandbuch beschrieben sind.
 - Besondere Vorsicht ist bei der Arbeit in der Nähe von beweglichen Maschinen, elektrischen Gefahren, extremen Temperaturen, chemischen Gefahren, explosiven oder toxischen Gasen, an scharfen Kanten, auf rauen Oberflächen oder unterhalb von höher liegenden Materialien, die auf Sie oder Ihre Absturzicherungsgeräte fallen könnten, geboten.
 - Stellen Sie sicher, dass die Verwendung Ihres Produkts für die in Ihrer Arbeitsumgebung vorhandenen Gefahren ausgelegt ist.
 - Stellen Sie bei Arbeiten in der Höhe einen angemessenen Fallraum sicher.
 - Modifizieren oder ändern Sie Ihre Absturzicherungsgeräte niemals. Nur 3M oder Personen, die hierzu schriftlich von 3M autorisiert sind, dürfen Reparaturen an 3M Ausrüstung vornehmen.
 - Stellen Sie vor der Verwendung von Absturzicherungsgeräten sicher, dass ein schriftlicher Rettungsplan vorhanden ist, um im Falle eines Absturzes eine schnelle Rettung zu ermöglichen.
 - Wenn es zu einem Absturz kommt, muss der abgestürzte Arbeiter sofort medizinische Versorgung erhalten.
 - Verwenden Sie nur Auffanggurte für Absturzicherungsanwendungen. Verwenden Sie keine Körpergurte.
 - Minimieren Sie Pendelstürze, indem Sie so nahe wie möglich am Verankerungspunkt arbeiten.
 - Beim Training mit diesem Produkt muss ein sekundäres Absturzicherungssystem verwendet werden. Trainingsteilnehmer dürfen keiner unbeabsichtigten Absturzgefahr ausgesetzt werden.
 - Tragen Sie immer eine geeignete persönliche Schutzausrüstung, wenn Sie das Produkt installieren, verwenden oder inspizieren.
 - Verrichten Sie niemals Arbeiten unterhalb einer schwebenden Last oder eines im Auffanggurt hängenden Arbeiters.
 - Sorgen Sie immer für eine 100 %ige Befestigung.

Produktübersicht

Stellen Sie immer sicher, dass Sie die neueste Version Ihres 3M Benutzerhandbuchs verwenden. Besuchen Sie www.3m.com/userinstructions oder wenden Sie sich an den Kundendienst von 3M, um aktuelle Benutzerhandbücher zu erhalten.

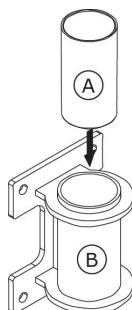
Übertragen Sie die Angaben zur Produktinformation vor Verwendung dieser Ausrüstung vom ID-Etikett in das „Inspektions- und Wartungsprotokoll“ am Ende dieses Handbuchs.

In Abbildung 1 sind die erhältlichen Produktmodelle dargestellt. Auslegersockel sind der Teil des Mastauslegersystems, der seine Befestigung am Boden gewährleistet. Der Mastausleger wird am Sockel befestigt und fungiert selbst als verstellbarer, beweglicher Anschlagpunkt für den Anwender. Weitere Informationen zu Systemanwendungen finden Sie in den Herstelleranweisungen für den kompatiblen Mastausleger oder das kompatible Mastauslegersystem.

Abbildung 2 führt Schlüsselkomponenten der erhältlichen Produktmodelle auf. Der Auslegersockel besteht aus zwei Teilen: einem Futter (A) und einer Mastauslegerhülse (B). Das Futter sorgt dafür, dass sich ein befestigter Mastausleger frei in der Mastauslegerhülse drehen kann. An der Hülse ist eine Montageplatte angebracht, um den Auslegersockel an einer Struktur zu befestigen.

Jedes Produktmodell weist eigene Spezifikationen auf, wie sie in Abbildung 1 aufgeführt sind. Weitere Informationen finden Sie in den Tabellen zur Produktspezifikation.

Abbildung 2 – Komponenten



Tabellen mit Produktspezifikationen

Systemspezifikationen

Anwenderkapazität:	Weitere Informationen zur Systemkapazität finden Sie in den Herstelleranweisungen für kompatible Mastauslegersysteme.
Normen:	Jedes Produktmodell ist entsprechend der in Abbildung 1 aufgeführten anwendbaren Normen und Vorschriften zertifiziert oder erfüllt diese. Wenn keine aufgeführt werden, gelten die auf der Abdeckung aufgeführten Normen und Vorschriften.

Spezifikation der Komponenten

Referenzen zu Abbildung 2	Komponente	Materialien
A	Futter	Polyethylen hoher Dichte
B	Auslegerhülse	8000101: Verzinkter Kohlenstoffstahl
		8000102: Edelstahl

1.0 Produktanwendung

1.1 Zweck: Mastauslegersysteme dienen als mobile Verankerungsstrukturen für Absturzsicherungssysteme. Die Montage und die Komponenten variieren je nach System. Weitere Informationen zu den Systemanwendungen finden Sie in der „Produktübersicht“ und in den Abschnitten zur Montage oder Verwendung.

1.2 Aufsicht: Die Verwendung dieser Ausrüstung muss durch eine sachkundige Person überwacht werden. Die Montage dieser Ausrüstung muss durch eine sachkundige Person überwacht werden. Eine qualifizierte Person muss bestätigen, dass die Montage den Vorschriften der Regional- und Bundesbehörden entspricht. Das Befestigungselement und die Platzierung des Auslegersockels müssen ebenfalls von einer qualifizierten Person genehmigt werden.

1.3 Wiederverkauf und Vertrieb: Wenn dieses Produkt außerhalb des ursprünglichen Bestimmungslandes wiederverkauft wird, muss der Wiederverkäufer diese Anweisungen in der Sprache des Landes zur Verfügung stellen, in dem das Produkt verwendet werden wird.

1.4 Training: Die Ausrüstung muss von Personen, die in der richtigen Anwendung geschult sind, installiert und verwendet werden. Dieses Handbuch ist im Rahmen eines Schulungsprogramms für Mitarbeiter zu verwenden, das den nationalen, regionalen oder lokalen Normen entspricht. Es unterliegt der Verantwortung der Anwender und Monteure dieser Ausrüstung, sicherzustellen, dass sie mit diesen Anweisungen vertraut sind und bezüglich korrekter Pflege und Einsatzweise geschult wurden. Zudem müssen sie die Betriebsmerkmale, Anwendungseinschränkungen und die Folgen eines nicht ordnungsgemäßen Gebrauchs dieser Ausrüstung kennen.

1.5 Rettungsplan: Beim Verwenden dieser Ausrüstung und dem Anschließen der Teilsysteme muss der Arbeitgeber über einen schriftlichen Rettungsplan und die Mittel zu dessen Durchführung verfügen. Außerdem muss er den Plan Anwendern, zuständigen Fachkräften und Rettungskräften übermitteln. Ein ausgebildetes internes Rettungsteam wird empfohlen. Die Teammitglieder sollten mit den nötigen Geräten und Techniken für eine erfolgreiche Rettung ausgestattet werden. Ein regelmäßiges Training ist erforderlich, damit die Befähigung des Rettungsteams stets gewährleistet ist. Diese Anweisungen sollten den Rettungskräften zur Verfügung gestellt werden. Während des Rettungsvorgangs sollten jederzeit Sichtkontakt oder Kommunikationsmöglichkeiten mit der zu rettenden Person vorhanden sein.

2.0 Systemvoraussetzungen

2.1 Anschlagpunkt: Die Verankerungsstruktur, an der dieses Produkt befestigt wird, muss in der Lage sein, die für das Absturzsicherungssystem zulässigen Lasten zu tragen. Weitere Informationen dazu finden Sie in Abschnitt 4.

2.2 Kapazität: Die Anwenderkapazität eines kompletten Absturzsicherungssystems wird durch die Komponente mit der niedrigsten maximalen Nennkapazität begrenzt. Wenn beispielsweise Ihr verbindendes Teilsystem eine geringere Kapazität als Ihr Auffanggurt hat, müssen Sie die Nutzlastanforderungen Ihres verbindenden Teilsystems erfüllen. Die Kapazitätsanforderungen für die einzelnen Komponenten Ihres Systems finden Sie in den jeweiligen Herstelleranweisungen.

2.3 Umweltgefahren: Die Verwendung dieser Ausrüstung in Bereichen mit Umweltgefahren kann zusätzliche Sicherheitsmaßnahmen erfordern, um die Verletzungsgefahr und Schäden an der Ausrüstung zu vermeiden. Zu diesen Gefahren zählen u. a.: Hitze, Chemikalien, korrosive Umgebungen, Hochspannungsleitungen, explosive oder giftige Gase, bewegliche Maschinen, scharfe Kanten oder überhängiges Material, das herunterfallen und den Anwender oder das Gerät treffen kann. Wenden Sie sich zur weiteren Klärung an den 3M Kundendienst.

2.4 Sicherungsseilgefahren: Stellen Sie sicher, dass das Sicherungsseil von allen Gefahren freigehalten wird, darunter: Verheddern mit Anwendern, anderen Arbeitern, sich bewegenden Maschinen, anderen Gegenständen in der Umgebung oder Aufprall von höher liegenden Objekten, die auf das Sicherungsseil oder die Benutzer fallen könnten.

2.5 Kompatibilität der einzelnen Komponenten: 3M Ausrüstungen sind für die Verwendung mit 3M Ausrüstungen konzipiert. Die Verwendung dieser 3M Ausrüstung muss durch einen Sachkundigen genehmigt werden. Die Verwendung von nicht zugelassenen Ausrüstungen kann die Kompatibilität der Ausrüstung gefährden und die Sicherheit und Zuverlässigkeit Ihres Absturzsicherungssystems beeinträchtigen. Lesen und befolgen Sie alle Anweisungen und Warnhinweise für alle Ausrüstungen vor dem Gebrauch.

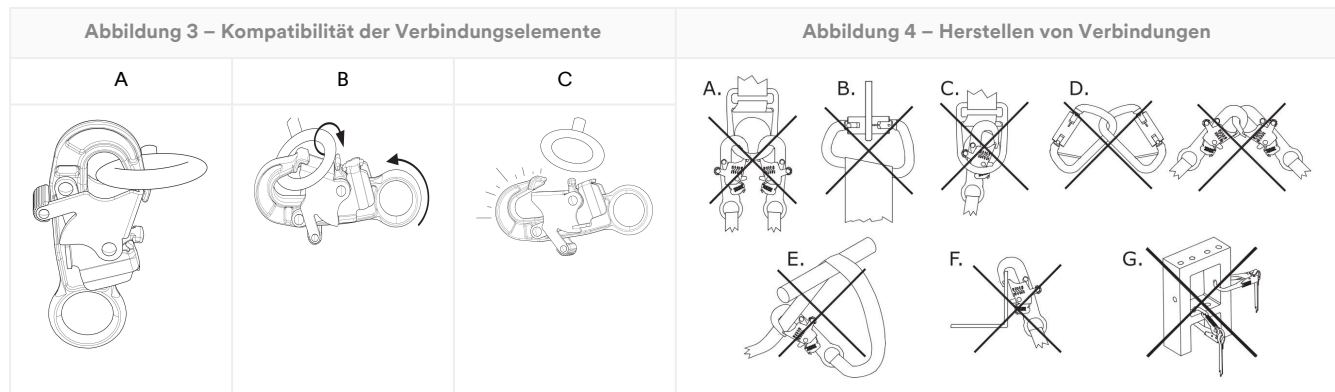
2.6 Kompatibilität der Verbindungsmittel: Verbindungselemente sind dann miteinander kompatibel, wenn Größe und Form der beiden Komponenten unabhängig von ihrer Ausrichtung nicht zu einem unbeabsichtigten Öffnen des Verbindungselements führen. Die Verbindungselemente müssen den geltenden Normen entsprechen. Die Verbindungselemente müssen während des Gebrauchs vollständig geschlossen und verriegelt sein.

Verbindungselemente von 3M (Schnapphaken und Karabiner) dürfen nur wie in der Bedienungsanleitung des jeweiligen Produktes angegeben verwendet werden. Stellen Sie sicher, dass die Verbindungselemente mit den Systemkomponenten kompatibel sind, mit denen sie verbunden sind. Verwenden Sie keine Ausrüstung, die nicht kompatibel ist. Die Verwendung nicht kompatibler Komponenten kann dazu führen, dass sich das Verbindungselement unbeabsichtigt löst. Siehe Abbildung

als Referenz. Wenn das Verbindungsstück, an dem ein Verbindungselement befestigt ist, zu klein ist oder eine unregelmäßige Form aufweist, kann es dazu kommen, dass das Verbindungsstück Druck auf den Verschluss des Verbindungselements ausübt (A). Dieser Druck könnte dann dazu führen, dass sich der Verschluss öffnet (B), wodurch sich das Verbindungselement vom Verbindungsstück (C) löst.

2.7 Herstellen von Verbindungen: Alle Verbindungen müssen in Größe, Form und Belastbarkeit kompatibel sein. Die Abbildung zeigt Beispiele für unsachgemäße Verbindungen. Automatikkarabiner und Karabiner dürfen nicht wie folgt befestigt werden:

1. An einer Auffangöse, an der ein anderes Verbindungselement befestigt ist.
2. Auf eine Weise, die die Öffnung belastet. Große Automatikkarabiner sollten nicht mit Auffangösen oder anderen Verbindungsstücken verbunden werden, es sei denn, der Karabinerhaken hat eine Bruchlast von 16 kN (3.600 lbf) oder mehr.
3. Im Falle eines falschen Einrastens, wenn die Größe oder Form des Verbindungselements oder des Verbindungsstücks nicht kompatibel sind und wo sie ohne visuelle Bestätigung voll eingerastet scheinen.
4. Aneinander.
5. Direkt mit dem Gurtband des Auffanggurtes, dem Material des Strangs des Verbindungsmittels oder dem Material der rückwärtigen Verankerung, es sei denn, eine solche Verbindung ist in den Anweisungen des Herstellers ausdrücklich vorgesehen.
6. An Objekten, deren Größe oder Form es nicht zulässt, dass sich das Verbindungselement vollständig schließt und verriegelt, oder die zum Ausbau des Verbindungselements führen könnten.
7. Auf eine Weise, bei der sich das Verbindungselement unter Belastung nicht richtig ausrichten kann.



3.0 Montage

3.1 Überblick: Die Montage eines Mastauslegersystems kann ein langwieriges Verfahren mit mehreren Schritten sein. Eine effektive Planung und die Kenntnis Ihres Arbeitsortes sowie Ihrer Ausrüstung können einen großen Beitrag dazu leisten, diesen Prozess so reibungslos wie möglich zu gestalten.

3.2 Planung: Planen Sie den Einsatz des Absturzschutzsystems, bevor Sie mit der Arbeit beginnen. Berücksichtigen Sie alle Faktoren, die Ihre Sicherheit vor, während und nach einem Absturz beeinträchtigen könnten. Beachten Sie alle in dieser Anleitung genannten Anforderungen und Einschränkungen.

1. **Scharfe Kanten:** Vermeiden Sie Arbeiten an Orten, an denen Systemkomponenten mit ungeschützten scharfen Kanten und rauen Oberflächen in Kontakt kommen oder gegen diese scheuern. Alle scharfen Kanten und abrasiven Oberflächen sollten mit Schutzmaterial abgedeckt werden.
2. **Kompatibilität:** Bei der Montage Ihres Systems ist es wichtig, dass Sie kompatible Komponenten verwenden. Jedes Produktmodell ist nur mit einem bestimmten Satz von Produktmodellen oder Designs kompatibel.

Der Auslegersockel kann auch beliebige Mastverlängerungen aufnehmen, sofern diese mit den aufgeführten Mastauslegern kompatibel sind.

Kompatible Mastauslegermodelle	Gebrauchsanweisung des Mastauslegers
8000107	5908417
8000108	5908417
8000130	5908364
8000131	5908364

3.3 Montage des Auslegersockels: Montieren Sie den Auslegersockel entsprechend der Anweisungen für Ihr Produktmodell.

Die Oberfläche der Verankerungsstruktur sollte vor dem Anbringen des Auslegersockels von allen Verschmutzungen gereinigt werden.

A. Wandmontage des Auslegersockels: Der Auslegersockel muss vor der Verwendung vorbereitet werden.

1. **Bereiten Sie den Standort vor.** Wählen Sie eine geeignete Montagefläche für die Installation des Auslegersockels aus und bestimmen Sie dann, wo der Sockel montiert werden soll. Es müssen ein ausreichender Abstand von der Kante (A) sowie die nötige Materialstärke (B) sichergestellt sein, um die Tragfähigkeitsanforderungen für Ihre Struktur und Ihr System zu erfüllen. Markieren und bohren Sie alle Montagebohrungen mit der vom Hersteller der Befestigungsmittel empfohlenen Tiefe und dem entsprechenden Durchmesser.

Der Auslegersockel muss auf einer ebenen, senkrechten Fläche montiert werden.

2. **Platzieren Sie den Auslegersockel.** Richten Sie die Löcher in der Montageplatte an den Bohrlöchern aus. Der Auslegersockel muss in einem Winkel von plus/minus 1 Grad zur Vertikalen ausgerichtet werden.
3. **Befestigen Sie den Auslegersockel.** Befestigen Sie den Auslegersockel mit den ausgewählten Befestigungselementen, entsprechend den Anweisungen des Herstellers des Befestigungselements.

Abbildung 6 – Montage eines Auslegersockels für die Wandmontage

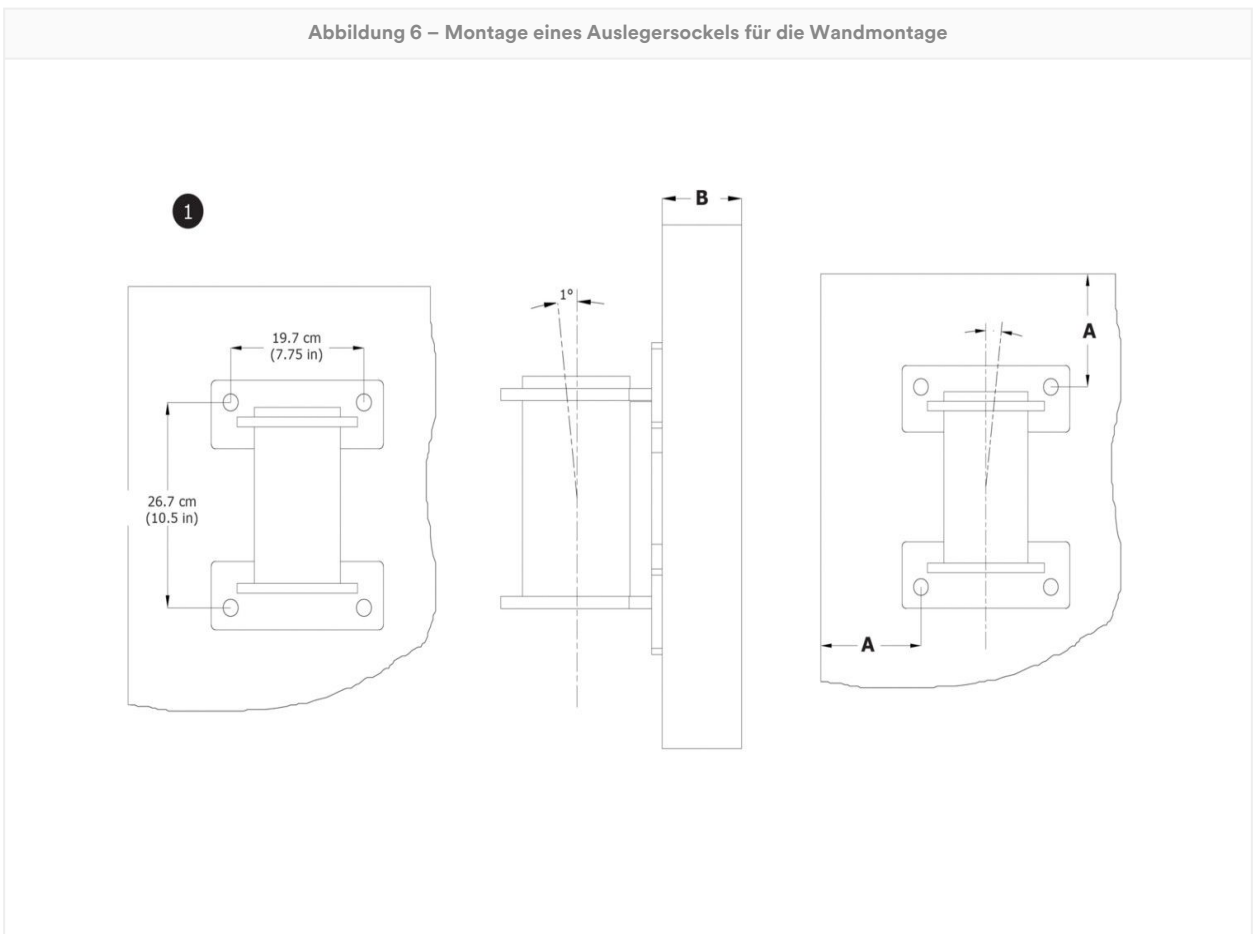
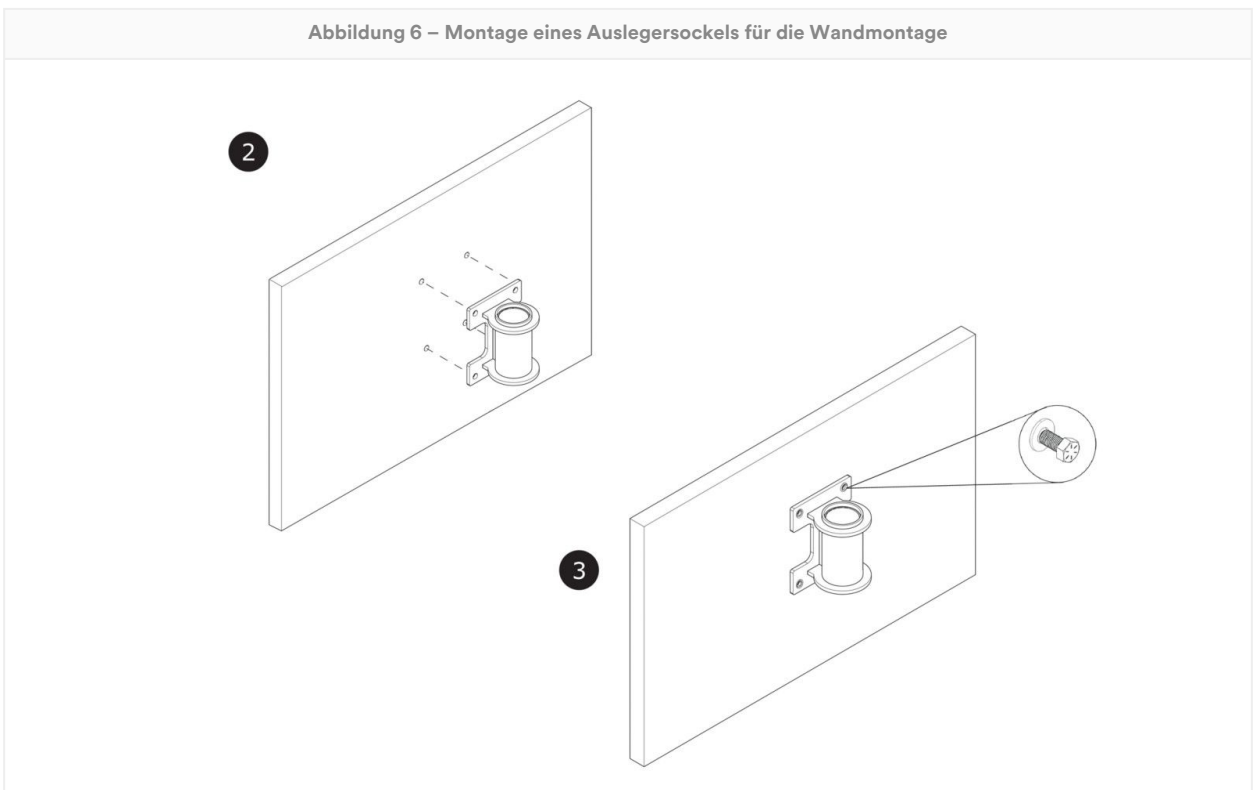


Abbildung 6 – Montage eines Auslegersockels für die Wandmontage



3.4 Befestigung des Mastauslegers: Nachdem der Auslegersockel montiert wurde, kann der Anwender den Mastarm oder Mast am Sockel befestigen. Der Mastausleger sollte am Montagepfosten oder in der Hülse des Auslegersockels befestigt werden, je nach dem von Ihnen verwendeten Auslegersockel. Vergewissern Sie sich, dass der Mastausleger sicher befestigt und dass alle Führungen oder Sperrstifte ordnungsgemäß verwendet werden. Weitere Informationen finden Sie in den Herstelleranweisungen für Ihren Mastausleger oder Ihr Mastauslegersystem.

4.0 Verwendung

4.1 Vor jedem Einsatz: Stellen Sie sicher, dass Ihr Arbeitsbereich und Ihr Absturzsicherungssystem alle in diesen Anweisungen definierten Kriterien erfüllen. Stellen Sie sicher, dass ein formeller Rettungsplan vorhanden ist. Prüfen Sie das anhand der „Benutzer“-Inspektionenpunkte, die im „Inspektions- und Wartungsprotokoll“ angegeben sind. Wenn bei der Inspektion ein unsicherer oder fehlerhafter Zustand festgestellt wird oder Zweifel an seinem Zustand für die sichere Verwendung bestehen, nehmen Sie das Produkt sofort außer Betrieb. Markieren Sie das Produkt deutlich mit „NICHT VERWENDEN“. Weitere Informationen finden Sie in Abschnitt 5.

4.2 Anschlagpunkt: Neben der Produkttragfähigkeit muss bei jedem Absturzsicherungssystem auch die Festigkeit der tragenden Strukturen oder Komponenten berücksichtigt werden.

1. **Verankerungsstruktur:** Die Verankerungsstruktur, mit der dieses Produkt befestigt wird, muss in der Lage sein, die für das Absturzsicherungssystem dieses Produkts zulässigen Lasten zu tragen.

Momentane Belastung	136.400 in-lb. (15,41 kN*m)
----------------------------	-----------------------------

2. **Verankerungsanschlagpunkte:** Verankerungsanschlagpunkte, die mit dem Produkt verwendet werden, müssen in der Lage sein, den durch das Produkt entstehenden Lasten standzuhalten.
3. **Befestigungsmittel:** Alle Befestigungsmittel, die das Produkt an Ort und Stelle halten, müssen stark genug sein, um das Produkt während des Einsatzes zuverlässig zu sichern. Weitere Informationen finden Sie in den Herstelleranweisungen der Befestigungsmittel.

Auszugskraft für Befestigungselemente	8.000 lbf (35,59 kN)
Scherfestigkeit pro Befestigungselement	5.000 lbf (22,2 kN)

4.3 Nach einem Absturz: Wenn dieses Gerät Kräften durch eine Absturzsicherung oder einen Stoß ausgesetzt wurde, nehmen Sie es sofort außer Betrieb. Kennzeichnen Sie es deutlich mit „NICHT VERWENDEN“. Weitere Informationen finden Sie in Abschnitt 5.

4.4 Materialhandhabung: 3M gestattet die Verwendung dieses Produkts für den Materialhandhabung entsprechend den Anweisungen. Lokale Vorschriften oder Normen können zusätzliche Einschränkungen festlegen oder die Verwendung von Ausrüstung gegen Absturz bei der Materialhandhabung regulieren.

⚠CAUTION:

Dieses Produkt muss mit einem kompatiblen Mastausleger verwendet werden, um für das Heben von Materialien geeignet zu sein. Sichern Sie eine Materialladung niemals direkt am Auslegersockel.

Vergewissern Sie sich vor dem Sichern Ihrer Materialladung, dass diese auch für den Transport vorbereitet wurde.

Verbinden Sie dieses Produkt niemals gleichzeitig mit Materialien und Anwendern.

Produkte, die für die Materialhandhabung verwendet werden, müssen vor jedem Einsatz von einer sachkundigen Person überprüft werden. Lokale Vorschriften oder Normen können den Wechsel zwischen einer Verwendung zum Heben/Halten von Personen und der Materialhandhabung einschränken.

1. **Befestigen Sie den Mastausleger.** Befestigen Sie den Mastausleger am Auslegersockel, wie in der Bedienungsanleitung angegeben.
2. **Befestigen Sie ein verbindendes Teilsystem am Mastausleger.** Weitere Informationen finden Sie in den Herstelleranweisungen für Ihren Mastausleger.
3. **Befestigen Sie das Sicherungsseil an Ihrer Materiallast.** Senken oder erhöhen Sie die Materiallast nach Bedarf.

Materialtransportkapazität

750 lb. (340 kg)

5.0 Inspektion

Nach der Außerbetriebnahme kann das Gerät erst dann wieder eingesetzt werden, wenn eine sachkundige Person schriftlich bestätigt, dass dies zulässig ist.

5.1 Inspektionshäufigkeit: Das Produkt ist vor jeder Verwendung durch den Anwender und zusätzlich in den unten aufgeführten Abständen durch eine sachkundige Person, die nicht der Anwender ist, zu prüfen. Eine höhere Einsatzhäufigkeit und anspruchsvollere Einsatzbedingungen können eine häufigere Inspektion durch eine sachkundige Person erforderlich machen. Die Häufigkeit dieser Inspektionen sollte von der sachkundigen Person je nach den spezifischen Bedingungen des Einsatzortes festgelegt werden.

Anwendbare Norm oder Region	Erforderliche Häufigkeit von Inspektionen durch sachkundige Personen
ANSI und OSHA	Einmal im Jahr
EN-Normen	Einmal im Jahr
AS/NZS	Einmal im Jahr

5.2 Inspektionsverfahren: Inspizieren Sie dieses Produkt gemäß den im „Inspektions- und Wartungsprotokoll“ aufgeführten Verfahren. Der Eigentümer dieser Ausrüstung sollte eine Dokumentation jeder Inspektion führen. Ein Inspektions- und Wartungsprotokoll sollte in der Nähe des Produkts angebracht oder anderweitig für Benutzer leicht zugänglich sein. Es wird empfohlen, dieses Produkt mit dem Datum der nächsten oder letzten Inspektion zu kennzeichnen.

5.3 Defekte: Wenn das Produkt aufgrund eines vorhandenen Defekts oder eines unsicheren Zustands nicht wieder in Betrieb genommen werden kann, muss es entweder zerstört oder zum Austausch oder zur Reparatur an 3M oder ein von 3M autorisiertes Servicezentrum gesendet werden.

5.4 ProduktstandzeitDie Funktionsdauer des Produkts hängt von den Arbeitsbedingungen und der Wartung ab. Solange das Produkt die Prüfkriterien erfüllt, kann es in Betrieb bleiben.

6.0 Wartung, Aufbewahrung und Reparatur

Wartungsbedürftige oder zur Wartung vorgesehene Ausrüstung sollte mit dem Hinweis „NICHT VERWENDEN“ gekennzeichnet werden. Diese Ausrüstungskennzeichnungen sollten bis zur Durchführung von Wartungsarbeiten nicht entfernt werden.

6.1 Reinigung: Reinigen Sie die Metallbauteile des Produkts regelmäßig mit warmem Wasser und einer milden Seifenlösung. Spülen Sie das Produkt mit klarem Wasser ab und lassen Sie es dann an der Luft trocknen. Weitere Informationen finden Sie im technischen Bulletin auf unserer Website: <https://www.3M.com/FallProtection/Mechanical-Device-Cleaning>

6.2 Reparatur: Nur 3M oder Dritte, die hierzu von 3M schriftlich autorisiert sind, dürfen Reparaturen an dieser Ausrüstung vornehmen.

6.3 Aufbewahrung and Transport: Transportieren und lagern Sie das Produkt an einem kühlen, trockenen und sauberen Ort, der vor direkter Sonneneinstrahlung geschützt ist. Setzen Sie das Produkt keinen chemischen Dämpfen aus. Prüfen Sie die Komponenten nach langer Lagerung gründlich.

Sockel, die fest montiert sind, sollten den Arbeitsort nicht verlassen. Andere Komponenten können zur Aufbewahrung oder zum Transport von diesen Sockeln entfernt werden, der Sockel muss jedoch an Ort und Stelle verbleiben.

⚠WARNING:

Plötzliche Übergänge zwischen warmen und extrem kalten Umgebungen können die Leistungsfähigkeit Ihrer Ausrüstung beeinträchtigen. Mechanische Vorrichtungen (wie z.B. Höhensicherungsgeräte, Winden, Rettungsgeräte usw.) sollten für den Einsatz bei extremer Kälte oder Hitze angepasst werden, indem sie bei Temperaturen gelagert werden, die der Arbeitsumgebung ähneln. Führen Sie vor dem Einsatz Ihrer Ausrüstung immer eine Inspektion in der vorgesehenen Arbeitsumgebung durch.

7.0 Etiketten und Markierungen

7.1 Zusammenfassung: Die Abbildung „Produktetiketten“ zeigt die auf dem Produkt vorhandenen Etiketten und Markierungen. Im Folgenden finden Sie eine Zusammenfassung der Informationen, die jedes Etikett und jede Markierung enthält.

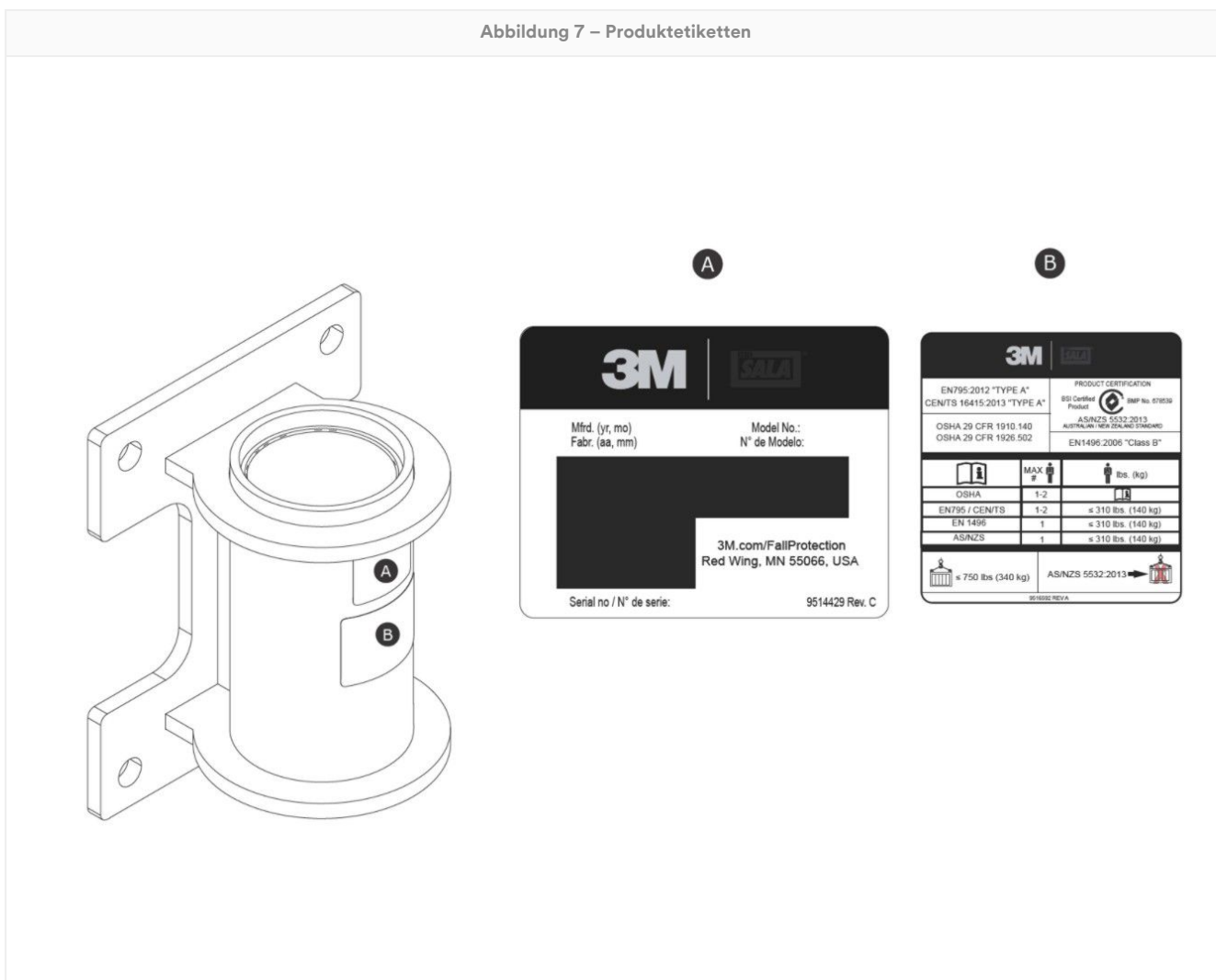
NOTICE:

Die Abbildungen auf den Etiketten sollen repräsentativ sein. Spezifische Informationen finden Sie auf den Etiketten Ihrer Produkte.

Fehlende oder beschädigte Etiketten müssen ersetzt werden. Alle Etiketten müssen vollständig lesbar sein.

A	Etikett mit Produktspezifikationen
B	ID-Etikett

Abbildung 7 – Produktetiketten



Glossar

Definitionen: In dieser Anleitung werden die folgenden Begriffe und Definitionen verwendet:

Eine umfassende Liste mit Begriffen und Definitionen finden Sie auf unserer Website: www.3m.com/FallProtection/ifu-glossary

- **Autorisierte Fachkraft:** Eine Person, die vom Arbeitgeber dazu bestimmt ist, Aufgaben an einem Ort auszuführen, an dem sie einer Absturzgefahr ausgesetzt ist.
- **Sachkundige Person:** Eine Person, die in der Lage ist, bestehende und vorhersehbare Risiken in der Umgebung oder bei Arbeitsbedingungen zu erkennen, die für Mitarbeiter gesundheitsgefährdend, gefährlich oder risikoreich sind, und die befugt ist, sofort korrigierende Maßnahmen zu ergreifen, um diese Risiken und Gefährdungen zu beseitigen.
- **Absturzsicherungssystem:** Eine Kombination von Absturzsicherungsgeräten, die so konfiguriert sind, dass sie den Benutzer im Falle eines Sturzes schützen.
- **Qualifizierte Person:** Eine Person mit einem anerkannten Abschluss, Zertifikat oder beruflichen Status, oder die durch umfangreiches Wissen, Ausbildung und Erfahrung erfolgreich ihre Fähigkeit nachgewiesen hat, Probleme im Zusammenhang mit Absturzsicherungs- und Rettungssystemen in dem von einschlägigen nationalen, regionalen und lokalen Vorschriften geforderten Umfang zu lösen oder zu beheben, soweit dies von den geltenden nationalen, regionalen und lokalen Vorschriften gefordert wird.
- **Rettungssystem:** Eine Kombination von Absturzsicherungsgeräten, die so konfiguriert sind, dass sie eine Person aus Gefahren an einen sicheren Ort bringt. Ein freier Fall ist nicht erlaubt.
- **Rettungskraft:** Eine Person, die das Rettungssystem benutzt, um eine assistierte Rettung durchzuführen.
- **Rückhaltesystem:** Eine Kombination von Absturzsicherungsgeräten, die durch ihre Konfiguration verhindern, dass der Schwerpunkt der Person eine Absturzgefahr erreicht. Ein freier Fall ist nicht erlaubt.
- **Anwender:** Eine Person, die Tätigkeiten ausführt, während sie durch ein Absturzsicherungssystem geschützt ist.
- **Haltesystem:** Eine Kombination von Schutzausrüstung gegen Absturz, die zum Halten eines Anwenders in einer Arbeitsposition konfiguriert ist.

Inspektions- und Wartungsprotokoll

Bei jeder Inspektion sollte eine Kopie dieser Tabelle verwendet werden. Halten Sie die untenstehenden Angaben fest.

Hersteller: 3M Fall Protection

Modellnummer (Seriennummer):

Gekauft am:

Datum des erstmaligen Gebrauchs:

Dieses Produkt muss vor jedem Gebrauch vom Anwender geprüft werden. Darüber hinaus muss eine sachkundige Person, die nicht der Anwender ist, dieses Gerät in den in Abschnitt 5 angegebenen Intervallen inspizieren.

Komponente	Inspektionsverfahren	Inspektionsergebnis (bestanden oder nicht bestanden)
Produkt (Abbildung 2)	Überprüfen Sie das Mastauslegersystem auf Schäden, Verformungen, Korrosion und Rost. Achten Sie auf Risse, Biegungen, Dellen oder Verschleiß, welche die Festigkeit und den Betrieb des Systems beeinträchtigen könnten. Bei der Prüfung auf Korrosion sollten Sie auch die Verankerungsvorrichtung, ihre Befestigungen oder Befestigungselemente sowie die Struktur, an der die Verankerungsvorrichtung befestigt ist, überprüfen.	
	Überprüfen Sie alle Befestigungsmittel auf Schäden oder Korrosion. Ziehen Sie sie bei Bedarf an.	
	Überprüfen Sie alle beweglichen Teile auf Absplitterungen, Risse, Brüche, Ausfransungen oder abgenutzte Bereiche, die während des Betriebs zu Fehlfunktionen führen können.	
Etiketten	Alle Etiketten sind vorhanden und vollständig leserlich.	
Schutzausrüstung gegen Absturz	Zusätzliche Schutzausrüstung gegen Absturz, die mit dem Produkt verwendet wird, muss gemäß den Anweisungen des Herstellers montiert und geprüft werden. Stellen Sie sicher, dass die angegebene Tragfähigkeit für jedes Ihrer Produkte für die beabsichtigte Anwendung ausreichend und mit ihr kompatibel ist.	

Zusammenfassung der Produktinspektion

Fällt das Produkt in einem Prüfverfahren durch, so fällt das Produkt in der Gesamtprüfung durch. Wenn das Produkt die Prüfung nicht besteht, nehmen Sie es sofort außer Betrieb. Markieren Sie das Produkt deutlich mit „NICHT VERWENDEN“. Weitere Informationen finden Sie in Abschnitt 5.


Inspektionsart:	<input type="checkbox"/> Anwender	<input type="checkbox"/> Sachkundige Person	Gesamtinspektionsergebnis:	
Inspiziert von:			Datum der Inspektion:	
Unterschrift:			Nächste Inspektion:	
Zusätzliche Hinweise:				

Zertifizierungen

Ihr Produkt entspricht den nationalen oder regionalen Normen, die auf der Vorderseite dieses Handbuchs angegeben sind. Die Zertifizierung und Konformität kann auf einzelne Produktmodelle oder Anwendungen beschränkt sein.

Weitere Informationen zu Zertifizierungs- oder Konformitätsanforderungen finden Sie in den für Ihr Produkt geltenden Normen und Vorschriften.

Anwender, die AS/NZS-Normen verwenden, sollten AS/NZS 1891.4 für die Anforderungen bezüglich der Auswahl, Verwendung, Wartung und Schulungen zu Rate ziehen.

<p>BSI-zertifiziertes Produkt</p> <p>AS/NZS 5532:2013</p> <p>Lizenz: BMP 678539</p>	<p>BSI – Head Office Suite 1, Level 1, 54 Waterloo Road Macquarie Park, NSW, 2113 Australien</p>	
---	--	---

Globale Produktgarantie, beschränkter Gewährleistungsbehef und Haftungsbeschränkung

Garantie: Folgendes gilt stellvertretend für alle Garantien oder Bedingungen, einschließlich stillschweigend angenommener Garantien oder Bedingungen hinsichtlich der Tauglichkeit oder Eignung für einen bestimmten Zweck.

Soweit gesetzlich nicht anders vorgeschrieben, werden bei 3M Produkten für die Absturzsicherung werksseitige Mängel bei Verarbeitung und Material für einen Zeitraum von einem Jahr ab dem Datum der Installation oder der erstmaligen Benutzung durch den ursprünglichen Eigentümer garantiert.

Beschränkter Gewährleistungsbehef: Nach schriftlicher Mitteilung an 3M wird 3M jedes Produkt ersetzen oder austauschen, bei dem durch 3M ein werksseitiger Material- oder Verarbeitungsfehler festgestellt wird. 3M behält sich das Recht vor, die Rücksendung des Produkts an das Werk zur Beurteilung der Garantieansprüche zu verlangen. Unter dieser Garantie sind keine Schäden am Produkt gedeckt, die auf Verschleiß, Missbrauch, Transportschäden, Versäumnis der Instandhaltung des Produkts oder sonstige außerhalb der Kontrolle von 3M liegende Schäden zurückzuführen sind. 3M trifft allein die Entscheidung über Produktzustand und Garantioptionen.

Diese Garantie gilt ausschließlich für den ursprünglichen Käufer und ist die Einzige, die für Absturzsicherungsprodukte von 3M maßgeblich ist. Kontaktieren Sie bitte die Kundenserviceabteilung von 3M, um Unterstützung zu erhalten.

Haftungsbeschränkung: Soweit nach geltendem Recht zulässig, ist 3M nicht haftbar für unmittelbare, mittelbare, besondere Schäden oder Folgeschäden jeder Art, einschließlich von Verlust von Gewinn, der im Zusammenhang mit den Produkten entsteht, ungeachtet der angeführten Rechtstheorie.

3M™ DBI-SALA® Επιτοίχια βάση ανύψωσης

Οδηγίες χρήσης

Αριθμός εντύπου: 5903663, Αναθεώρηση: F

Αυτό το προϊόν είναι πιστοποιημένο ή συμμορφώνεται με τα ακόλουθα πρότυπα και κανονισμούς. Η πιστοποίηση και η συμμόρφωση μπορεί να περιοριστούν σε μεμονωμένα μοντέλα προϊόντων ή εφαρμογές. Για περισσότερες πληροφορίες, ανατρέξτε στην ενότητα *Πιστοποιήσεις*.

- OSHA 29 CFR 1910.140, 1926.502
- EN 795:2012 (Τύπος A)
- CEN/TS 16415:2013 (Τύπος A)
- EN 1496:2006 (Ρήτρα 4.6)
- AS/NZS 5532:2013

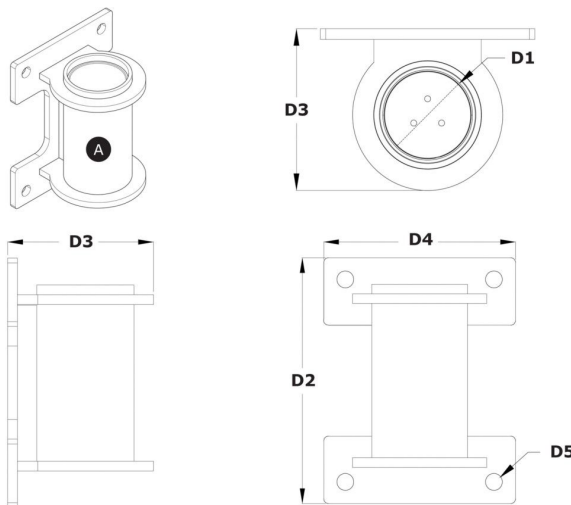
⚠WARNING:

Για την ταυτοποίηση των κωδικών προϊόντων, ανατρέξτε στους πίνακες προδιαγραφών προϊόντος. Ανατρέξτε στην Επισκόπηση προϊόντος για περισσότερες πληροφορίες σχετικά με το προϊόν.

Ορισμένα εξαρτήματα ενδέχεται να μην έχουν πιστοποιηθεί μεμονωμένα και ενδέχεται να απαιτείται συναρμολόγηση για την εκπλήρωση των απαιτήσεων πιστοποίησης.

Εικόνα 1 - Επισκόπηση προϊόντος

Μοντέλο	Στυλ	D1	D2	D3	D4	D5	Βάρος προϊόντος
8000101	A	10,2 εκ. (4,0 ίντσες)	32,4 εκ. (12,75 ίντσες)	19,0 εκ. (7,5 ίντσες)	25,4 εκ. (10,0 ίντσες)	22,2 χλστ. (0,88 ίντσες)	15,7 κιλά (34,0 λίβρες)
8000102	A	10,2 εκ. (4,0 ίντσες)	32,4 εκ. (12,75 ίντσες)	19,0 εκ. (7,5 ίντσες)	25,4 εκ. (10,0 ίντσες)	22,2 χλστ. (0,88 ίντσες)	15,7 κιλά (34,0 λίβρες)



Πληροφορίες για την ασφάλεια

Παρακαλούμε διαβάστε, κατανοήστε και ακολουθήστε όλες τις πληροφορίες ασφαλείας σε αυτές τις οδηγίες πριν από τη χρήση αυτού του προϊόντος. ΣΕ ΑΝΤΙΘΕΤΗ ΠΕΡΙΠΤΩΣΗ, ΕΝΔΕΧΕΤΑΙ ΝΑ ΠΡΟΚΛΗΘΕΙ ΣΟΒΑΡΟΣ ΤΡΑΥΜΑΤΙΣΜΟΣ Ή ΘΑΝΑΤΟΣ.

Οι οδηγίες αυτές πρέπει να δοθούν στον χρήστη του εξοπλισμού. Κρατήστε αυτές τις οδηγίες για μελλοντική αναφορά.

Πληροφορίες για την ασφάλεια

Έντυπο: 5908277, Αναθεώρηση: B

Προοριζόμενη χρήση

Αυτό το προϊόν χρησιμοποιείται ως μέρος ενός πλήρους συστήματος προστασίας από πτώσεις.

Η χρήση σε οποιαδήποτε άλλη εφαρμογή που περιλαμβάνει, μεταξύ άλλων, μη εγκεκριμένο χειρισμό υλικών, ψυχαγωγικές ή αθλητικές δραστηριότητες, ή άλλες δραστηριότητες που δεν περιγράφονται σε αυτές τις οδηγίες, δεν είναι εγκεκριμένη από την 3M και μπορεί να προκαλέσει σοβαρό τραυματισμό ή θάνατο.

Αυτό το προϊόν προορίζεται αποκλειστικά για χρήση από εκπαιδευμένους χρήστες σε εφαρμογές στον χώρο εργασίας.

⚠ Προειδοποίηση

Αυτό το προϊόν χρησιμοποιείται ως μέρος ενός πλήρους συστήματος προστασίας από πτώσεις.

Όλοι οι χρήστες πρέπει να είναι πλήρως εκπαιδευμένοι στην ασφαλή εγκατάσταση και λειτουργία του πλήρους συστήματος προστασίας από πτώσεις. Η λανθασμένη χρήση αυτού του προϊόντος μπορεί να προκαλέσει σοβαρό τραυματισμό ή θάνατο. Για την κατάλληλη επιλογή, λειτουργία, εγκατάσταση, συντήρηση και σέρβις, ανατρέξτε σε όλα τα εγχειρίδια οδηγιών και τις συστάσεις του κατασκευαστή. Για περισσότερες πληροφορίες, απευθυνθείτε στον προϊστάμενό σας, ή επικοινωνήστε με την Τεχνική Υποστήριξη της 3M.

- **Για τη μείωση των κινδύνων που σχετίζονται με τη χρήση Συστήματος διάσωσης σε περιορισμένο χώρο, οι οποίοι αν δεν αποφευχθούν, μπορεί να οδηγήσουν σε σοβαρό τραυματισμό ή θάνατο:**
 - Ελέγχετε το προϊόν πριν από κάθε χρήση και μετά από κάθε περίπτωση πτώσης, σύμφωνα με τις διαδικασίες που καθορίζονται στις παρούσες οδηγίες.
 - Εάν η επιθεώρηση αποκαλύψει επισφαλές ή ελαττωματικές συνθήκες, θέστε αμέσως το προϊόν εκτός χρήσης και επισημάνετε το ευδιάκριτα με την ένδειξη «ΜΗ ΧΡΗΣΙΜΟΠΟΙΕΙΤΕ». Καταστρέψτε ή επισκευάστε το προϊόν όπως απαιτείται από αυτές τις οδηγίες.
 - Οποιοδήποτε προϊόν έχει υποστεί ανάσχεση πτώσης ή πρόσκρουση πρέπει να τεθεί αμέσως εκτός χρήσης. Καταστρέψτε ή επισκευάστε το προϊόν όπως απαιτείται από αυτές τις οδηγίες.
 - Βεβαιωθείτε ότι τα συστήματα προστασίας από πτώσεις τα οποία συναρμολογούνται από εξαρτήματα που έχουν κατασκευαστεί από άλλους κατασκευαστές είναι συμβατά και πληρούν όλους τους ισχύοντες κανονισμούς, πρότυπα ή απαιτήσεις προστασίας από πτώσεις. Να συμβουλευέστε πάντα ένα ικανό άτομο πριν από τη χρήση αυτών των συστημάτων.
 - Το προϊόν πρέπει να εγκαθίσταται μόνο όπως περιγράφεται στα εγχειρίδια οδηγιών του. Εγκαταστάσεις και χρήση εκτός του πεδίου εφαρμογής των παρόντων εγχειριδίων οδηγιών πρέπει να εγκριθούν γραπτώς από την 3M.
 - Συνδέετε υποσυστήματα προστασίας από πτώσεις μόνο στο καθορισμένα σημεία σύνδεσης αγκύρωσης στο προϊόν.
 - Πριν από την εγκατάσταση, βεβαιωθείτε ότι οι μέθοδοι εγκατάστασης και το προϊόν δεν θα επηρεάσουν τις ηλεκτρικές γραμμές, τις γραμμές αερίου ή άλλα κρίσιμα υλικά ή συστήματα.
 - Βεβαιωθείτε ότι το προϊόν έχει διαμορφωθεί και εγκατασταθεί σωστά για ασφαλή λειτουργία, όπως περιγράφεται σε αυτές τις οδηγίες.
 - Μη συστρέψετε, μη δένετε, μην κάνετε κόμπο και μην αφήνετε χαλαρό το διασωστικό σκοινί.
 - Μην υπερβείτε τον αριθμό των επιτρεπόμενων χρηστών που καθορίζονται στις παρούσες οδηγίες.
 - Απαιτείται προσοχή κατά την εγκατάσταση, τη χρήση ή τη μετακίνηση του προϊόντος, καθώς τα κινούμενα μέρη μπορεί να δημιουργήσουν σημεία εγκλωβισμού.
 - Πρέπει να ακολουθούνται διαδικασίες ασφάλισης/απασφάλισης όταν εφαρμόζονται.
 - Μην πραγματοποιείτε σύνδεση στο σύστημα κατά τη μεταφορά ή την εγκατάστασή του.
- **Για τη μείωση των κινδύνων που σχετίζονται με την εργασία σε ύψος, οι οποίοι αν δεν αποφευχθούν, μπορεί να προκαλέσουν σοβαρό τραυματισμό ή θάνατο:**
 - Η υγεία σας και η φυσική σας κατάσταση πρέπει να σας επιτρέπουν να εργάζεστε με ασφάλεια σε ύψος και να αντέχετε όλες τις δυνάμεις που σχετίζονται με ένα συμβάν ανάσχεσης πτώσης. Αν έχετε απορίες σχετικά με τη ικανότητά σας να χρησιμοποιήσετε αυτόν τον εξοπλισμό, συμβουλευθείτε τον γιατρό σας.
 - Ποτέ μην υπερβαίνετε την επιτρεπόμενη δυναμικότητα του εξοπλισμού προστασίας από πτώσεις.
 - Ποτέ μην υπερβαίνετε το ανώτατο όριο απόστασης ελεύθερης πτώσης που καθορίζεται για τον εξοπλισμό προστασίας σας από πτώσεις.
 - Μη χρησιμοποιείτε κανέναν εξοπλισμό προστασίας από πτώσεις ο οποίος δεν έχει περάσει την επιθεώρηση με επιτυχία, ή αν ανησυχείτε για τη χρήση του ή για την καταλληλότητά του. Για τυχόν απορίες, επικοινωνήστε με την εξυπηρέτηση πελατών της 3M.
 - Ορισμένοι συνδυασμοί υποσυστημάτων και εξαρτημάτων μπορεί να επηρεάσουν τη λειτουργία του εξοπλισμού αυτού. Χρησιμοποιείτε μόνο συμβατούς συνδυασμούς. Επικοινωνήστε με την εξυπηρέτηση πελατών της 3M πριν χρησιμοποιήσετε αυτόν τον εξοπλισμό σε συνδυασμό με εξαρτήματα ή υποσυστήματα διαφορετικά από αυτά που περιγράφονται στις παρούσες οδηγίες.
 - Να είστε εξαιρετικά προσεκτικοί κατά την εργασία κοντά σε κινούμενα μηχανήματα, ηλεκτρικό ρεύμα, ακραίες θερμοκρασίες, επικίνδυνα χημικά, εκρηκτικά ή τοξικά αέρια, αιχμηρές ακμές, λειαντικές επιφάνειες ή κάτω από υλικά τα οποία μπορεί να πέσουν πάνω σας ή πάνω στον εξοπλισμό προστασίας σας από πτώσεις.
 - Βεβαιωθείτε ότι η χρήση του προϊόντος που διαθέτετε είναι κατάλληλη για τους κινδύνους που υπάρχουν στο περιβάλλον εργασίας σας.
 - Βεβαιωθείτε ότι υπάρχει επαρκές διάκενο πτώσης κατά την εργασία σε ύψος.
 - Ποτέ μην πραγματοποιείτε αλλαγές ή τροποποιήσεις στον εξοπλισμό προστασίας από πτώσεις. Μόνο η 3M ή πρόσωπα με γραπτή εξουσιοδότηση από την 3M μπορούν να πραγματοποιήσουν επισκευές στον εξοπλισμό της 3M.
 - Πριν από τη χρήση του εξοπλισμού προστασίας από πτώσεις, βεβαιωθείτε ότι έχει εκπονηθεί ένα γραπτό σχέδιο διάσωσης το οποίο επιτρέπει την άμεση διάσωση σε περίπτωση πτώσης.
 - Στην περίπτωση πτώσης, αναζητήστε αμέσως ιατρική βοήθεια για τον εργατή ο οποίος υπέστη την πτώση.
 - Χρησιμοποιείτε μόνο ολόσωμη εξάρτηση για εφαρμογές ανάσχεσης πτώσης. Μη χρησιμοποιείτε ζώνη συγκράτησης του κορμού.
 - Περιορίστε τις πτώσεις με ταλάντωση, δουλεύοντας, όσο αυτό είναι δυνατό, ακριβώς κάτω από το σημείο αγκύρωσης.
 - Κατά την εκπαίδευση με αυτό το προϊόν, πρέπει να χρησιμοποιείται δευτερεύον σύστημα προστασίας από πτώσεις. Οι εκπαιδευόμενοι δεν πρέπει να εκτίθενται σε κίνδυνο ακούσιας πτώσης.

- Να φοράτε πάντα κατάλληλα μέσα ατομικής προστασίας κατά την εγκατάσταση, χρήση ή επιθεώρηση του προϊόντος.
- Ποτέ μην εργάζεστε κάτω από αναρτημένο φορτίο ή εργαζόμενο.
- Διατηρείτε πάντα το 100% της πρόσδεσης.

Επισκόπηση προϊόντος

Διασφαλίζετε πάντα ότι χρησιμοποιείτε την τελευταία έκδοση του εγχειριδίου οδηγιών της 3M. Επισκεφθείτε την ιστοσελίδα www.3m.com/userinstructions ή επικοινωνήστε με εξυπηρέτηση πελατών της 3M για ενημερωμένα εγχειρίδια οδηγιών.

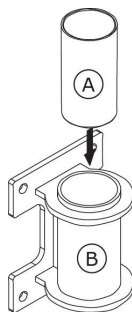
Πριν από τη χρήση του εξοπλισμού αυτού καταγράψτε τα στοιχεία του προϊόντος που βρίσκονται στην ετικέτα Ταυτότητα στο «Αρχείο καταγραφής επιθεώρησης και συντήρησης» στο πίσω μέρος του εγχειριδίου αυτού.

Η Εικόνα 1 απεικονίζει τα διαθέσιμα μοντέλα προϊόντων. Οι βάσεις ανύψωσης χρησιμεύουν ως τμήμα του συστήματος ανύψωσης που βοηθά στη συγκράτησή του στο έδαφος. Το σύστημα ανύψωσης στερεώνεται στη βάση ενώ λειτουργεί ως ρυθμιζόμενο, κινητό σημείο αγκύρωσης για τον χρήστη. Ανατρέξτε στις οδηγίες του κατασκευαστή για το συμβατό σύστημα ανύψωσης και το καπόνι, για περισσότερες πληροφορίες σχετικά με τις εφαρμογές του συστήματος.

Η Εικόνα 2 προσδιορίζει βασικά στοιχεία των διαθέσιμων μοντέλων προϊόντων. Η βάση ανύψωσης αποτελείται από δύο τμήματα: έναν αφαιρούμενο προστατευτικό φορέα (A) και ένα κάλυμμα ανύψωσης (B). Ο αφαιρούμενος προστατευτικός φορέας επιτρέπει σε ένα ασφαλισμένο σύστημα ανύψωσης να περιστρέφεται ελεύθερα στο κάλυμμα ανύψωσης. Το κάλυμμα περιλαμβάνει μια προσαρτημένη πλάκα στήριξης για τη στερέωση της βάσης ανύψωσης σε μια δομή.

Κάθε μοντέλο προϊόντος έχει τις δικές του προδιαγραφές όπως παρατίθενται στην Εικόνα 1. Ανατρέξτε στους πίνακες προδιαγραφών προϊόντων για περισσότερες πληροφορίες.

Εικόνα 2 - Εξαρτήματα



Πίνακες προδιαγραφών προϊόντος

Προδιαγραφές συστήματος

Δυναμικότητα χρήσης:	Ανατρέξτε στις οδηγίες του κατασκευαστή για συμβατά μοντέλα ανύψωσης, όπου θα βρείτε περισσότερες πληροφορίες σχετικά με τη δυναμικότητα του συστήματος.
Πρότυπα:	Κάθε μοντέλο προϊόντος είναι πιστοποιημένο ή συμμορφώνεται με τα ισχύοντα πρότυπα και τους κανονισμούς που παρατίθενται στην Εικόνα 1. Εάν δεν προσδιορίζεται κανένα, τότε ισχύουν όλα τα πρότυπα και οι κανονισμοί που αναφέρονται στο εξώφυλλο.

Προδιαγραφές των εξαρτημάτων

Εικόνα 2 Αναφορά	Εξάρτημα	Υλικά
A	Αφαιρούμενος προστατευτικός φορέας	Πολυαιθυλένιο υψηλής πυκνότητας
B	Κάλυμμα ανύψωσης	8000101: Γαλβανισμένος ανθρακοχάλυβας
		8000102: Ανοξειδωτο ατσάλι

1.0 Εφαρμογή προϊόντος

1.1 Σκοπός: Τα συστήματα ανύψωσης λειτουργούν ως κινητές δομές αγκύρωσης για συστήματα προστασίας από πτώση. Η συναρμολόγηση και τα εξαρτήματα διαφέρουν ανάλογα με το σύστημα. Για περισσότερες πληροφορίες σχετικά με τις εφαρμογές συστήματος, ανατρέξτε στην ενότητα «Επισκόπηση προϊόντος» και στις ενότητες σχετικά με την εγκατάσταση ή τη χρήση.

1.2 Εποπτεία: Η χρήση αυτού του εξοπλισμού πρέπει να γίνεται υπό την επίβλεψη αρμόδιου ατόμου. Η εγκατάσταση αυτού του εξοπλισμού θα πρέπει να εποπτεύεται από ένα ικανό άτομο. Ένα ειδικευμένο άτομο πρέπει να επιβεβαιώσει ότι η εγκατάσταση πληροί τους τοπικούς και ομοσπονδιακούς κανονισμούς. Οι σύνδεσμοι και η τοποθέτηση της βάσης του συστήματος ανύψωσης πρέπει επίσης να εγκρίνονται από ειδικευμένο άτομο.

1.3 Μεταπώληση και διανομή: Εάν το προϊόν μεταπωληθεί εκτός της αρχικής χώρας προορισμού, ο μεταπωλητής πρέπει να προμηθεύσει αυτές τις οδηγίες στη γλώσσα της χώρας στην οποία πρόκειται να χρησιμοποιηθεί το προϊόν.

1.4 Εκπαίδευση: Αυτός ο εξοπλισμός προορίζεται για εγκατάσταση και χρήση από άτομα που είναι εκπαιδευμένα στη σωστή εφαρμογή του. Αυτές οι οδηγίες πρέπει να χρησιμοποιούνται ως μέρος ενός προγράμματος κατάρτισης των εργαζομένων, όπως απαιτείται από τα εθνικά, περιφερειακά και τοπικά πρότυπα. Αποτελεί ευθύνη των χρηστών και τεχνικών εγκατάστασης αυτού του εξοπλισμού να διασφαλίσουν ότι είναι εξοικειωμένοι με αυτές τις οδηγίες, έχουν εκπαιδευτεί στη σωστή φροντίδα και χρήση αυτού του εξοπλισμού και γνωρίζουν τα χαρακτηριστικά λειτουργίας, τους περιορισμούς εφαρμογής και τις συνέπειες της ακατάλληλης χρήσης αυτού του εξοπλισμού.

1.5 Σχέδιο διάσωσης: Κατά τη χρήση αυτού του εξοπλισμού και των συνδεδεμένων υποσυστημάτων, ο εργοδότης πρέπει να διαθέτει ένα γραπτό σχέδιο διάσωσης και τα μέσα για να το εφαρμόσει, καθώς και να το κοινοποιεί στους χρήστες, σε εξουσιοδοτημένα άτομα, και σε διασώστες. Συνιστάται μια εκπαιδευμένη επιτόπια ομάδα διάσωσης. Τα μέλη της ομάδας θα πρέπει να είναι εφοδιασμένα με τον απαραίτητο εξοπλισμό και τις τεχνικές για να εκτελέσουν μια επιτυχή διάσωση. Η εκπαίδευση πρέπει να παρέχεται σε περιοδική βάση ώστε να εξασφαλιστεί η επάρκεια γνώσεων των διασωστών. Οι διασώστες θα πρέπει να έχουν εφοδιαστεί με αυτές τις οδηγίες. Θα πρέπει να υπάρχει οπτική επαφή ή μέσο επικοινωνίας με το άτομο που διασώζεται ανά πάσα στιγμή κατά τη διάρκεια της διαδικασίας διάσωσης.

2.0 Απαιτήσεις συστήματος

2.1 Αγκύρωση: Η δομή αγκύρωσης που ασφαρίζει αυτό το προϊόν πρέπει να είναι σε θέση να αντέχει οποιαδήποτε απαιτούμενα φορτία, όπως επιτρέπεται με το σύστημα προστασίας από πτώση. Βλ. Ενότητα 4 για περισσότερες πληροφορίες.

2.2 Δυναμικότητα: Η δυναμικότητα χρήσης ενός πλήρους συστήματος προστασίας από πτώσεις περιορίζεται από το στοιχείο με τη χαμηλότερη ονομαστική μέγιστη δυναμικότητα. Για παράδειγμα, εάν το συνδεδεμένο υποσύστημα έχει δυναμικότητα μικρότερη από τη δική σας ζώνη ασφαλείας, πρέπει να συμμορφωθείτε με τις απαιτήσεις δυναμικότητας του συνδεδεμένου υποσυστήματος. Ανατρέξτε στις οδηγίες του κατασκευαστή για κάθε εξάρτημα του συστήματός σας για τις απαιτήσεις δυναμικότητας.

2.3 Περιβαλλοντικοί κίνδυνοι: Η χρήση αυτού του εξοπλισμού σε περιοχές με περιβαλλοντικούς κινδύνους μπορεί να απαιτεί πρόσθετες προφυλάξεις για την αποτροπή τραυματισμού του χρήστη ή ζημιάς στον εξοπλισμό. Στους κινδύνους μπορεί να περιλαμβάνονται, μεταξύ άλλων: η υψηλή θερμοκρασία, τα χημικά, τα διαβρωτικά περιβάλλοντα, τα ηλεκτροφόρα καλώδια υψηλής τάσης, τα εκρηκτικά ή τοξικά αέρια, τα κινούμενα μηχανήματα, τα αιχμηρά άκρα ή τα αντικείμενα που βρίσκονται πάνω από τον εργαζόμενο και ενδέχεται να πέσουν και να έρθουν σε επαφή με τον χρήστη ή με τον εξοπλισμό. Επικοινωνήστε με την εξυπηρέτηση πελατών της 3M για περαιτέρω διευκρίνιση.

2.4 Κίνδυνοι σχετικά με το διασωστικό σκοινί: Βεβαιωθείτε ότι το διασωστικό σκοινί παραμένει μακριά από όλους τους κινδύνους, όπως, ενδεικτικά: μπλέξιμο με χρήστες, άλλους εργάτες, κινούμενα μηχανήματα, άλλα γύρω αντικείμενα ή πρόσκρουση από εναέρια αντικείμενα που θα μπορούσαν να πέσουν πάνω στο διασωστικό σκοινί ή τους χρήστες.

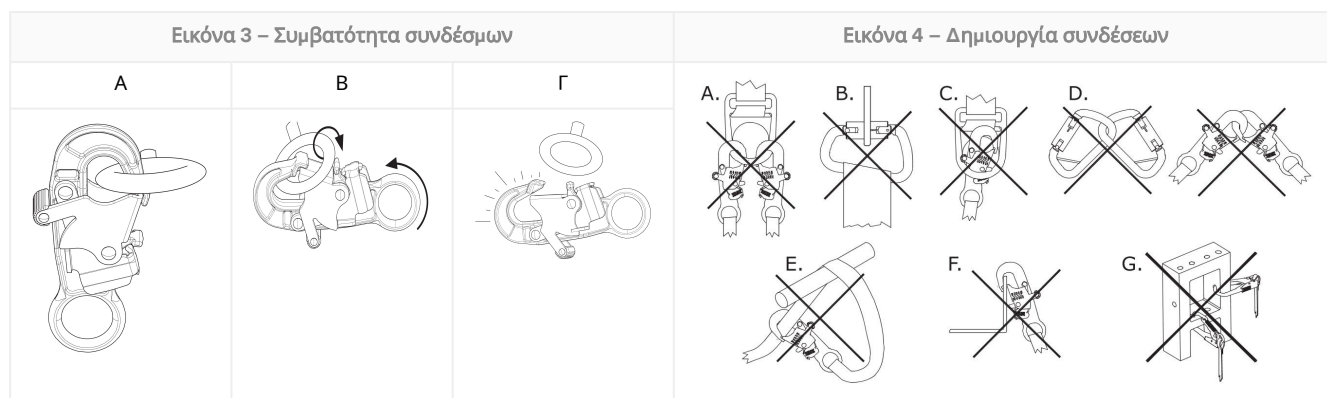
2.5 Συμβατότητα εξαρτημάτων: Ο εξοπλισμός της 3M είναι σχεδιασμένος για χρήση μόνο με εξοπλισμό της 3M. Η χρήση εξοπλισμού εκτός 3M πρέπει να εγκρίνεται από αρμόδιο άτομο. Υποκαταστάσεις με μη εγκεκριμένο εξοπλισμό μπορεί να θέσουν σε κίνδυνο τη συμβατότητα του εξοπλισμού και να επηρεάσουν την ασφάλεια και την αξιοπιστία του συστήματος προστασίας από πτώσεις. Διαβάστε και ακολουθήστε όλες τις οδηγίες και τις προειδοποιήσεις για όλον τον εξοπλισμό πριν τη χρήση.

2.6 Συμβατότητα συνδέσμων: Οι σύνδεσμοι είναι συμβατοί με τα συνδεδεμένα στοιχεία όταν το μέγεθος και το σχήμα οποιουδήποτε στοιχείου δεν προκαλεί το ακούσιο άνοιγμα του συνδέσμου, ανεξάρτητα από τον προσανατολισμό του. Οι σύνδεσμοι πρέπει να συμμορφώνονται με τα ισχύοντα πρότυπα. Οι σύνδεσμοι πρέπει να είναι πλήρως κλειστοί και ασφαλισμένοι κατά τη διάρκεια της χρήσης.

Οι σύνδεσμοι της 3M (γάντζοι ασφαλείας και καραμπίνερ) έχουν σχεδιαστεί για να χρησιμοποιούνται αποκλειστικά σύμφωνα με τις προδιαγραφές σε κάθε εγχειρίδιο οδηγιών. Διασφαλίστε ότι οι σύνδεσμοι είναι συμβατοί με τα εξαρτήματα του συστήματος στα οποία συνδέονται. Μη χρησιμοποιείτε ασύμβατο εξοπλισμό. Η χρήση ασύμβατων εξαρτημάτων μπορεί να προκαλέσει ακούσια απεμπλοκή του συνδέσμου. Ανατρέξτε στην εικόνα για αναφορά. Εάν το συνδετικό στοιχείο στο οποίο προσαρτάται ο σύνδεσμος είναι μικρότερου μεγέθους ή έχει ακανόνιστο σχήμα, θα μπορούσε να προκύψει μια κατάσταση όπου το συνδετικό στοιχείο ασκεί δύναμη στην πύλη του συνδέσμου (Α). Η δύναμη αυτή θα μπορούσε στη συνέχεια να προκαλέσει το άνοιγμα της πύλης (Β), απεμπλέκοντας τον σύνδεσμο από το συνδετικό στοιχείο (C).

2.7 Δημιουργία συνδέσεων: Όλες οι συνδέσεις πρέπει να είναι συμβατές σε μέγεθος, σχήμα και αντοχή. Ανατρέξτε στην εικόνα για παραδείγματα ακατάλληλων συνδέσεων. Μην προσαρτάτε άγκιστρα ασφαλείας και καραμπίνερ:

1. Σε κρίκο ανάρτησης στον οποίο είναι συνδεδεμένος ένας άλλος σύνδεσμος.
2. Με τρόπο που θα μπορούσε να έχει ως αποτέλεσμα φορτίο στην πύλη. Τα άγκιστρα ασφαλείας μεγάλου λαιμού δεν πρέπει να συνδέονται με κρίκους ανάρτησης ή άλλα συνδετικά στοιχεία, εκτός εάν το άγκιστρο ασφαλείας έχει αντοχή πύλης 16 kN (3.600 lbf) ή μεγαλύτερη.
3. Σε περίπτωση λανθασμένης εμπλοκής, όπου το μέγεθος ή το σχήμα του συνδέσμου ή του συνδετικού στοιχείου δεν είναι συμβατό και, χωρίς οπτική επιβεβαίωση, μπορεί να φαίνεται ότι έχει εμπλακεί πλήρως.
4. Μεταξύ τους.
5. Απευθείας με την ενισχυτική ταινία εξάρτυσης, το υλικό σκέλους ιμάντα ή το υλικό πρόσδεσης, εκτός εάν μια τέτοια σύνδεση επιτρέπεται ρητά στις οδηγίες του κατασκευαστή.
6. Σε οποιοδήποτε αντικείμενο του οποίου το μέγεθος ή το σχήμα δεν επιτρέπει στον σύνδεσμο να κλείσει και να ασφαλίσει πλήρως, ή που θα μπορούσε να προκαλέσει άνοιγμα του συνδέσμου.
7. Με τρόπο που να μην επιτρέπει τη σωστή ευθυγράμμιση του συνδέσμου όταν βρίσκεται υπό φορτίο.



3.0 Εγκατάσταση

3.1 Επισκόπηση: Η εγκατάσταση ενός συστήματος ανύψωσης μπορεί να είναι μια χρονοβόρα διαδικασία με πολλαπλά βήματα. Ο αποτελεσματικός σχεδιασμός και η επίγνωση του χώρου εργασίας και του εξοπλισμού σας βοηθούν πολύ στο να προχωρήσει αυτή η διαδικασία όσο το δυνατόν πιο ομαλά.

3.2 Σχεδιασμός: Προτού ξεκινήσετε την εργασία, σχεδιάστε το σύστημα προστασίας από πτώσεις. Υπολογίστε όλους τους παράγοντες που μπορεί να επηρεάσουν την ασφάλειά σας πριν, κατά τη διάρκεια και μετά από πτώση. Λάβετε υπόψη όλες τις υποχρεώσεις και τους περιορισμούς που καθορίζονται στις παρούσες οδηγίες.

1. **Αιχμηρές ακμές:** Μην εργάζεστε σε σημεία όπου τα εξαρτήματα του συστήματος μπορεί να έρθουν σε επαφή με μη προστατευμένες αιχμηρές ακμές και τραχιές επιφάνειες ή να γδαρθούν από αυτές. Όλες οι αιχμηρές ακμές και οι τραχιές επιφάνειες πρέπει να καλύπτονται με προστατευτικό υλικό.
2. **Συμβατότητα:** Κατά την εγκατάσταση του συστήματός σας, είναι σημαντικό να χρησιμοποιείτε συμβατά εξαρτήματα. Κάθε μοντέλο προϊόντος είναι συμβατό για χρήση με ένα συγκεκριμένο σύνολο μοντέλων ή σχεδίων προϊόντων.

Η βάση ανύψωσης μπορεί επίσης να λάβει οποιεσδήποτε επεκτάσεις ιστού ανύψωσης που είναι συμβατές με τα παρατιθέμενα συστήματα ανύψωσης.

Συμβατά μοντέλα συστήματος ανύψωσης	Οδηγίες χρήσης συστήματος ανύψωσης
8000107	5908417
8000108	5908417
8000130	5908364
8000131	5908364

3.3 Εγκατάσταση της βάσης ανύψωσης: Εγκαταστήστε τη βάση ανύψωσης σύμφωνα με τις οδηγίες που παρέχονται για το μοντέλο του προϊόντος σας.

Η επιφάνεια της δομής αγκύρωσης πρέπει να καθαριστεί από τυχόν υπολείμματα πριν από την εγκατάσταση της βάσης ανύψωσης.

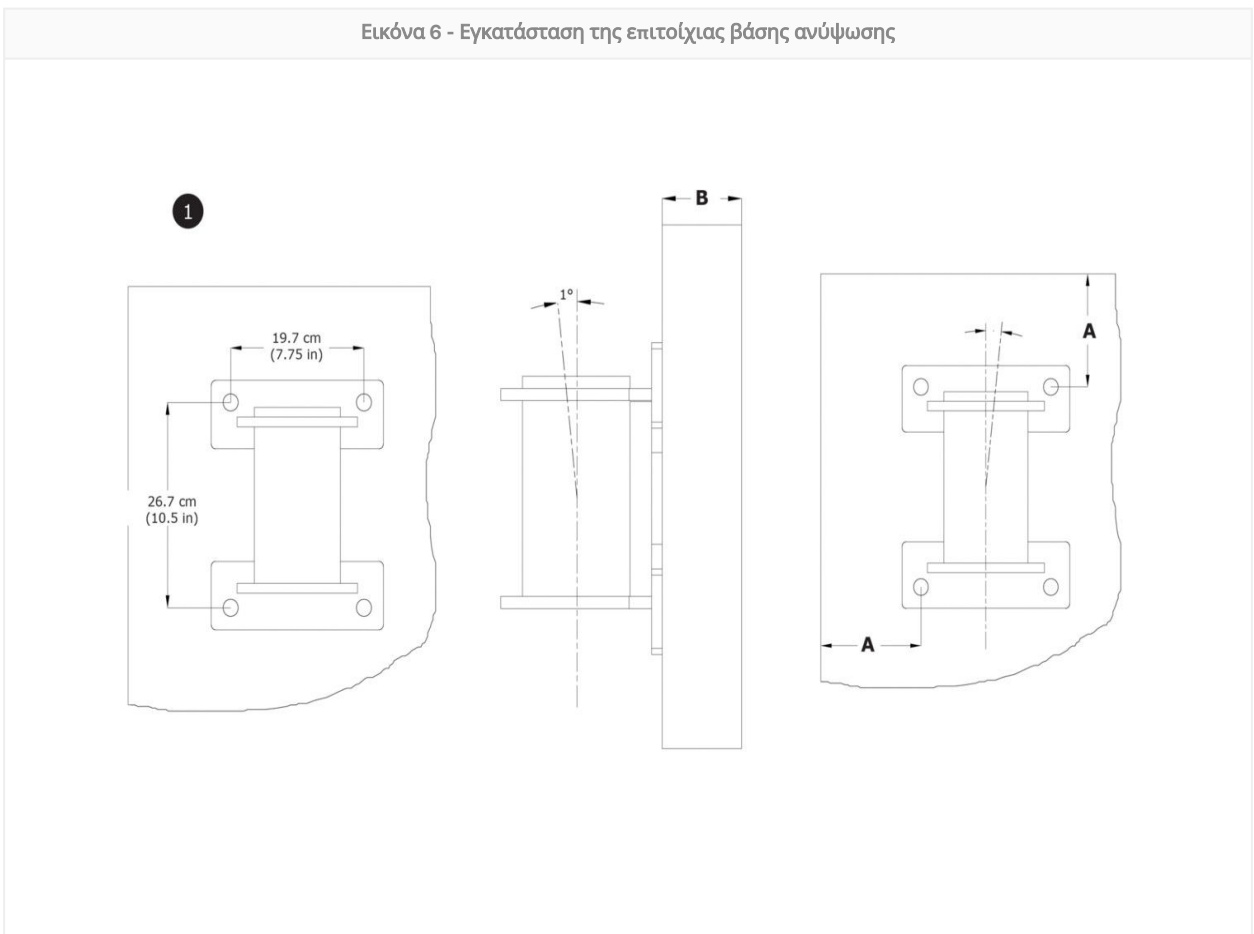
A. Επιτοίχια βάση ανύψωσης: Η βάση ανύψωσης πρέπει να προετοιμαστεί πριν από τη χρήση.

1. **Προετοιμάστε το σημείο.** Επιλέξτε μια κατάλληλη επιφάνεια τοποθέτησης για να εγκαταστήσετε τη βάση ανύψωσης και, στη συνέχεια, καθορίστε πού πρέπει να εγκατασταθεί η βάση. Πρέπει να υπάρχει αρκετή απόσταση από την άκρη (A) και πάχος υλικού (B) για να υποστηριχθούν οι απαιτήσεις αντοχής για τη δομή και το σύστημά σας. Σημειώστε και, στη συνέχεια, τρυπήστε όλες τις οπές στερέωσης στη συνιστώμενη διάμετρο και βάθος του κατασκευαστή του μέσου στερέωσης.

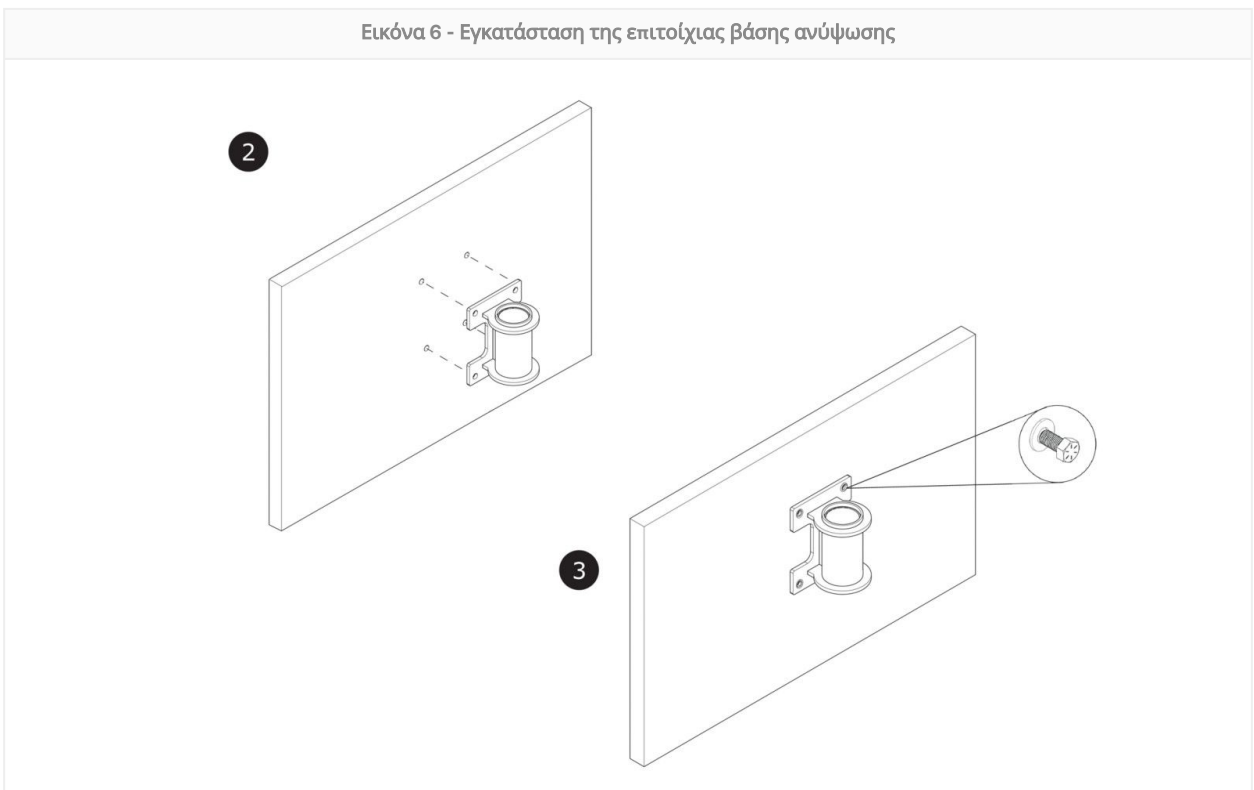
Η βάση ανύψωσης πρέπει να εγκατασταθεί σε επίπεδη, κάθετη επιφάνεια.

2. **Τοποθετήστε τη βάση ανύψωσης.** Ευθυγραμμίστε τις οπές στην πλάκα στερέωσης με τις διάτρητες οπές. Η βάση ανύψωσης πρέπει να τοποθετηθεί σε απόσταση συν - πλην 1 μίρας από την κατακόρυφο.
3. **Ασφαλίστε τη βάση ανύψωσης.** Ασφαλίστε τη βάση ανύψωσης χρησιμοποιώντας τα επιλεγμένα μέσα στερέωσης, όπως καθορίζεται στις οδηγίες του κατασκευαστή του μέσου στερέωσης.

Εικόνα 6 - Εγκατάσταση της επιτοίχιας βάσης ανύψωσης



Εικόνα 6 - Εγκατάσταση της επιτοίχιας βάσης ανύψωσης



3.4 Εξασφάλιση του καπονιού: Μετά την εγκατάσταση της βάσης ανύψωσης, ο χρήστης μπορεί να ασφαλίσει τον βραχίονα ή τον ιστό ανύψωσης στη βάση. Το καπόνι πρέπει να στερεωθεί στον στύλο στερέωσης ή μέσα στο κάλυμμα της βάσης ανύψωσης, όπως ισχύει για τη βάση ανύψωσης που χρησιμοποιείτε. Βεβαιωθείτε ότι το καπόνι είναι ασφαλές και ότι οι οδηγοί ή οι πείροι ασφάλισης χρησιμοποιούνται κατάλληλα. Ανατρέξτε στις οδηγίες του κατασκευαστή του συστήματος ανύψωσης για περισσότερες πληροφορίες.

4.0 Χρήση

4.1 Πριν από κάθε χρήση: Βεβαιωθείτε ότι ο χώρος εργασίας σας και το σύστημα προστασίας από πτώσεις πληρούν όλα τα κριτήρια που ορίζονται στις παρούσες οδηγίες. Επαληθεύστε ότι έχει τεθεί σε εφαρμογή ένα επίσημο σχέδιο διάσωσης. Επιθεωρήστε το προϊόν σύμφωνα με τα σημεία επιθεώρησης «Χρήστη» που καθορίζονται στο «Αρχείο καταγραφής επιθεώρησης και συντήρησης». Εάν κατά την επιθεώρηση διαπιστωθεί μια επισφαλής ή ελαττωματική κατάσταση, ή εάν υπάρχει οποιαδήποτε αμφιβολία σχετικά με την κατάστασή του για ασφαλή χρήση, θέστε αμέσως το προϊόν εκτός χρήσης. Επισημάνετε ευδιάκριτα το προϊόν με την ένδειξη «ΜΗ ΧΡΗΣΙΜΟΠΟΙΕΙΤΕ». Βλ. Ενότητα 5 για περισσότερες πληροφορίες.

4.2 Αγκύρωση: Εκτός από τη δυναμικότητα του προϊόντος, κάθε σύστημα προστασίας από πτώσεις πρέπει να λαμβάνει υπόψη τις αντοχές οποιωνδήποτε υποστηρικτικών δομών ή εξαρτημάτων.

1. **Δομή αγκύρωσης:** Η δομή αγκύρωσης που ασφαρίζει αυτό το προϊόν πρέπει να είναι σε θέση να αντέχει τα απαιτούμενα φορτία, όπως επιτρέπεται με το σύστημα προστασίας από πτώσεις αυτού του προϊόντος.

Φορτίο ροπής	136.400 in-lb. (15,41 kN*m)
--------------	-----------------------------

2. **Σημεία σύνδεσης αγκύρωσης:** Τα σημεία σύνδεσης αγκύρωσης που χρησιμοποιούνται με το προϊόν πρέπει να αντέχουν οποιαδήποτε φορτία εφαρμόζονται στο προϊόν.
3. **Ιμάντες:** Οποιαδήποτε μέσα στερέωσης που ασφαρίζουν το προϊόν στη θέση του πρέπει να είναι αρκετά ανθεκτικά, ούτως ώστε να διατηρούν το προϊόν ασφαλές κατά τη χρήση. Δείτε τις οδηγίες του κατασκευαστή των μέσων στερέωσης για περισσότερες πληροφορίες.

Δύναμη εξαγωγής μέσου στερέωσης	35.59 kN (8.000 λίβρες δύναμης)
Αντοχή στη διάτμηση ανά μέσο στερέωσης	22,2 kN (5.000 λίβρες δύναμης)

4.3 Μετά από μια πτώση: Εάν αυτός ο εξοπλισμός υποστεί δύναμη ανάσχεσης πτώσης ή κρούσης, θέστε τον αμέσως εκτός χρήσης. Επισημάνετε τον ευδιάκριτα με την ένδειξη «ΜΗ ΧΡΗΣΙΜΟΠΟΙΕΙΤΕ». Βλ. Ενότητα 5 για περισσότερες πληροφορίες.

4.4 Χειρισμός υλικών: Η 3M επιτρέπει τη χρήση αυτού του προϊόντος για χειρισμό υλικών σύμφωνα με τις οδηγίες. Τοπικοί κανονισμοί ή πρότυπα ενδέχεται να επιβάλλουν πρόσθετους περιορισμούς ή να ρυθμίζουν τη χρήση εξοπλισμού προστασίας από πτώση για τον χειρισμό υλικών.

⚠ CAUTION:

Αυτό το προϊόν πρέπει να χρησιμοποιείται με συμβατό καπόνι για να χρησιμοποιηθεί για τον χειρισμό υλικών. Ποτέ μην ασφαρίζετε ένα φορτίο υλικού απευθείας στη βάση ανύψωσης.

Πριν ασφαλίσετε το φορτίο υλικών σας, βεβαιωθείτε ότι έχει προετοιμαστεί για μεταφορά.

Ποτέ μην ασφαρίζετε αυτό το προϊόν σε υλικά και χρήστες ταυτόχρονα.

Το προϊόν που χρησιμοποιείται για τον χειρισμό υλικών πρέπει να επιθεωρείται από ικανό πρόσωπο πριν από την επόμενη χρήση του. Τοπικοί κανονισμοί ή πρότυπα ενδέχεται να περιορίζουν την εναλλαγή μεταξύ της χρήσης από προσωπικό και του χειρισμού υλικών.

1. **Ασφαλίστε το καπόνι.** Ασφαλίστε το καπόνι στη βάση ανύψωσης όπως καθορίζεται στις οδηγίες χρήσης του.
2. **Ασφαλίστε ένα υποσύστημα σύνδεσης στο σύστημα ανύψωσης.** Ανατρέξτε στις οδηγίες του κατασκευαστή του συστήματος ανύψωσης για περισσότερες πληροφορίες.
3. **Ασφαλίστε τη γραμμή ζωής στο φορτίο υλικών σας.** Μειώστε ή αυξήστε το φορτίο υλικού, σύμφωνα με τις ανάγκες.

Ικανότητα χειρισμού υλικών

340 κιλά (750 λίβρες)

5.0 Επιθεώρηση

Αφού ο εξοπλισμός τεθεί εκτός χρήσης, δεν μπορεί να τεθεί εκ νέου σε χρήση μέχρι ένα αρμόδιο άτομο να επιβεβαιώσει εγγράφως ότι είναι αποδεκτό να συμβεί αυτό.

5.1 Συχνότητα επιθεώρησης: Το προϊόν πρέπει να επιθεωρείται πριν από κάθε χρήση από τον χρήστη και, επιπλέον, από ένα αρμόδιο πρόσωπο εκτός από τον χρήστη στα διαστήματα που καθορίζονται παρακάτω. Η μεγαλύτερη συχνότητα χρήσης του εξοπλισμού και οι σκληρότερες συνθήκες ενδέχεται να απαιτούν αύξηση της συχνότητας των επιθεωρήσεων από αρμόδιο άτομο. Η συχνότητα αυτών των επιθεωρήσεων πρέπει να καθορίζεται από το αρμόδιο άτομο σύμφωνα με τις ειδικές συνθήκες του εργοταξίου.

Εφαρμοζόμενο πρότυπο ή περιοχή	Απαιτούμενη συχνότητα των επιθεωρήσεων από ικανά άτομα
ANSI και OSHA	Μία φορά τον χρόνο
Πρότυπα EN	Μία φορά τον χρόνο
AS/NZS	Μία φορά τον χρόνο

5.2 Διαδικασίες επιθεώρησης: Επιθεωρήστε αυτό το προϊόν σύμφωνα με τις διαδικασίες που παρατίθενται στο «Αρχείο καταγραφής επιθεώρησης και συντήρησης». Τεκμηρίωση κάθε επιθεώρησης πρέπει να τηρείται από τον κάτοχο αυτού του εξοπλισμού. Ένα αρχείο καταγραφής επιθεώρησης και συντήρησης πρέπει να τοποθετείται κοντά στο προϊόν ή να είναι αλλιώς εύκολα προσβάσιμο από τους χρήστες. Συνιστάται το προϊόν να επισμαίνεται με την ημερομηνία της επόμενης ή της τελευταίας επιθεώρησης.

5.3 Ελαττώματα: Εάν το προϊόν δεν μπορεί να τεθεί εκ νέου σε χρήση λόγω ενός υφιστάμενου ελαττώματος ή επισφαλούς κατάστασης, τότε το προϊόν πρέπει είτε να καταστραφεί είτε να αποσταλεί στην 3M ή σε εξουσιοδοτημένο κέντρο συντήρησης της 3M για επισκευή.

5.4 Διάρκεια ζωής προϊόντος: Η διάρκεια ζωής του προϊόντος εξαρτάται από τις εργασιακές συνθήκες και τη συντήρηση. Εφόσον το προϊόν πληροί τα κριτήρια επιθεώρησης, μπορεί να συνεχίσει να χρησιμοποιείται.

6.0 Συντήρηση, Αποθήκευση και Επισκευή

Εξοπλισμός που χρειάζεται συντήρηση ή έχει προγραμματιστεί για συντήρηση πρέπει να φέρει την σήμανση «ΜΗ ΧΡΗΣΙΜΟΠΟΙΕΙΤΕ». Αυτές οι σημάνσεις του εξοπλισμού δεν πρέπει να αφαιρούνται μέχρι να πραγματοποιηθεί η συντήρηση.

6.1 Καθαρισμός: Καθαρίζετε περιοδικά τα μεταλλικά εξαρτήματα του προϊόντος με ζεστό νερό και ήπιο διάλυμα σαπουνιού. Ξεπλύνετε το προϊόν με καθαρό νερό και, στη συνέχεια, αφήστε το να στεγνώσει στον αέρα. Για περισσότερες πληροφορίες, παρακαλούμε ανατρέξτε στο τεχνικό δελτίο στην ιστοσελίδα μας: <https://www.3M.com/FallProtection/Mechanical-Device-Cleaning>

6.2 Επισκευή: Μόνο η 3M ή τρίτα μέρη με γραπτή εξουσιοδότηση από την 3M μπορούν να πραγματοποιήσουν επισκευές σε αυτόν τον εξοπλισμό.

6.3 Αποθήκευση και μεταφορά: Αποθηκεύστε και μεταφέρετε το προϊόν σε δροσερό, ξηρό και καθαρό περιβάλλον, μακριά από το άμεσο ηλιακό φως. Να αποφεύγετε χώρους όπου ενδέχεται να υπάρχουν ατμοί από χημικές ουσίες. Επιθεωρείτε σχολαστικά τα εξαρτήματα μετά από φύλαξη παρατεταμένης διάρκειας.

Οι βάσεις που είναι μόνιμα εγκατεστημένες δεν πρέπει να απομακρύνονται από τη θέση εργασίας. Άλλα εξαρτήματα μπορούν να αφαιρεθούν από αυτές τις βάσεις για αποθήκευση ή μεταφορά, αλλά η βάση θα πρέπει να παραμείνει.

⚠WARNING:

Οι ξαφνικές μετακινήσεις μεταξύ θερμών και εξαιρετικά κρύων περιβαλλόντων θα μπορούσαν να επηρεάσουν την απόδοση του εξοπλισμού σας. Οι μηχανικές συσκευές (όπως οι επανατυλισσόμενες συσκευές, τα βαρούλκα, οι συσκευές ανάκτησης, τα μανίκια αναρρίχησης κ.λπ.) πρέπει να προσαρμόζονται για χρήση σε συνθήκες ακραίου ψύχους ή θερμότητας, αποθηκεύοντάς τα σε θερμοκρασίες παρόμοιες με το περιβάλλον εργασίας. Εκτελείτε πάντα έλεγχο πριν από τη χρήση του εξοπλισμού σας στο περιβάλλον εργασίας του πριν τον χρησιμοποιήσετε.

7.0 Ετικέτες και σημάνσεις

7.1 Σύνοψη: Η εικόνα «Ετικέτες προϊόντων» απεικονίζει ετικέτες και σημάνσεις που υπάρχουν στο προϊόν. Δείτε παρακάτω για μια σύνοψη των πληροφοριών που παρέχονται με κάθε ετικέτα και σήμανση.

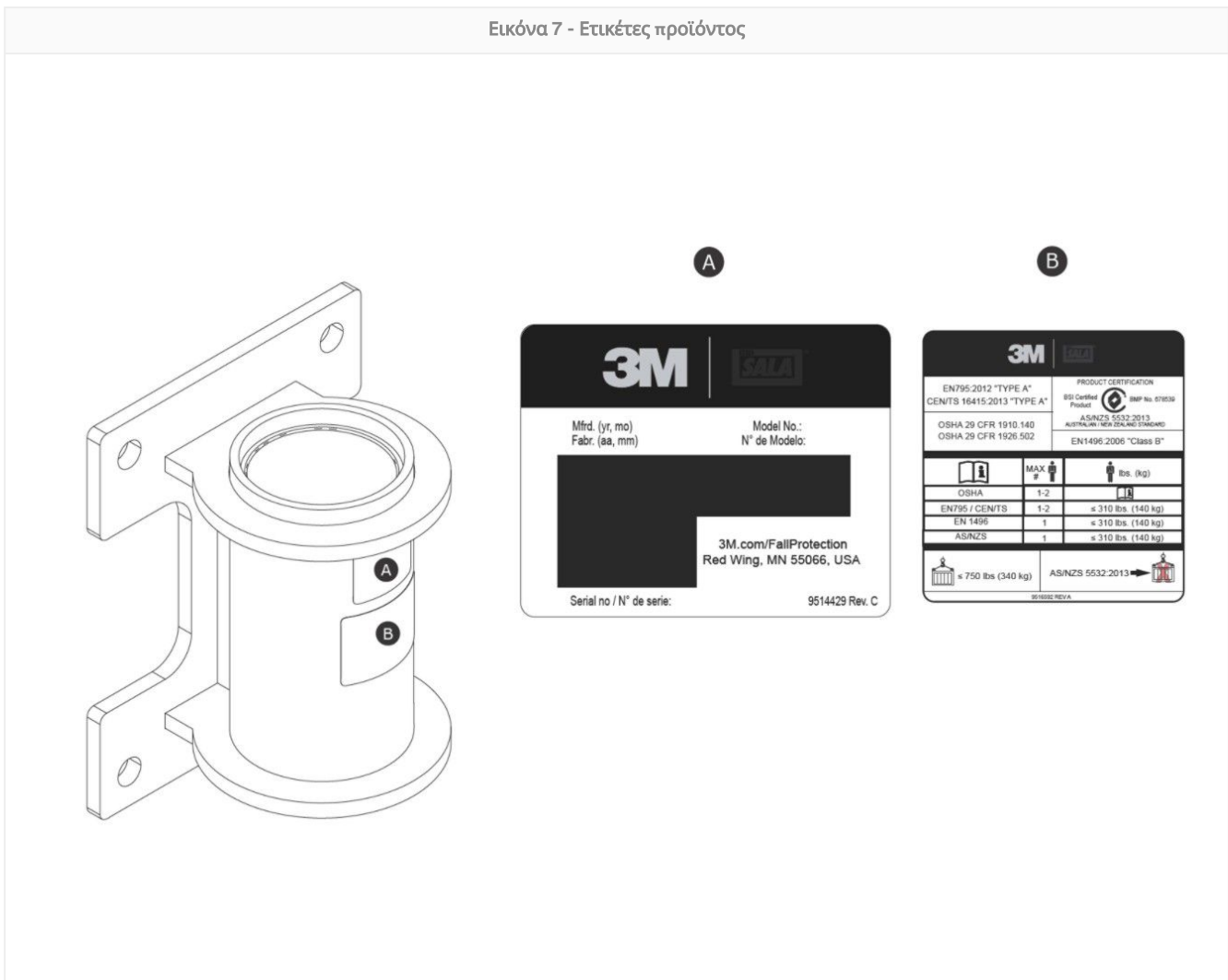
NOTICE:

Οι εικόνες των ετικετών προορίζονται να είναι αντιπροσωπευτικές. Ανατρέξτε στις ετικέτες των προϊόντων που διαθέτετε για συγκεκριμένες πληροφορίες.

Οι ελλείπουσες ή κατεστραμμένες ετικέτες πρέπει να αντικαθίστανται. Όλες οι ετικέτες πρέπει να είναι πλήρως ευανάγνωστες.

A	Ετικέτα προδιαγραφών προϊόντος
B	Αναγνωριστική ετικέτα

Εικόνα 7 - Ετικέτες προϊόντος



Λεξιλόγιο όρων

Ορισμοί: Οι ακόλουθοι όροι και ορισμοί χρησιμοποιούνται σε αυτές τις οδηγίες:

Για μια πλήρη λίστα όρων και ορισμών, επισκεφθείτε τον ιστότοπό μας: www.3m.com/FallProtection/ifu-glossary

- **Εξουσιοδοτημένο άτομο:** Ένα άτομο που έχει οριστεί από τον εργοδότη να εκτελεί καθήκοντα σε θέση όπου θα εκτεθεί σε κίνδυνο πτώσης.
- **Αρμόδιο άτομο:** Το άτομο που είναι σε θέση να αναγνωρίσει υφιστάμενους και προβλέψιμους κινδύνους στο περιβάλλον ή συνθήκες εργασίας που είναι ανθυγιεινές, επισφαλείς ή επικίνδυνες για τους εργαζομένους, και το οποίο έχει άδεια να λάβει άμεσα διορθωτικά μέτρα για την εξάλειψή τους.
- **Σύστημα ανάσχεσης πτώσης:** Ένα σύνολο εξοπλισμού προστασίας από πτώσεις που είναι διαμορφωμένο για την προστασία του χρήστη σε περίπτωση πτώσης.
- **Προσοντούχο άτομο:** Ένα άτομο με αναγνωρισμένο πτυχίο, πιστοποιητικό ή επαγγελματική υπόσταση, ή το οποίο, μέσω εκτεταμένης γνώσης, εκπαίδευσης και εμπειρίας, έχει επιδείξει με επιτυχία την ικανότητά του να επιλύει ή να αντιμετωπίζει προβλήματα που σχετίζονται με τα συστήματα προστασίας από πτώσεις και διάσωσης στον βαθμό που απαιτείται από τους ισχύοντες εθνικούς, περιφερειακούς και τοπικούς κανονισμούς.
- **Σύστημα διάσωσης:** Ένα σύνολο εξοπλισμού προστασίας από πτώσεις που είναι διαμορφωμένο για την απομάκρυνση ενός ατόμου από κινδύνους προς μια ασφαλή θέση. Δεν επιτρέπεται η ελεύθερη πτώση.
- **Διασώστης:** Ένα άτομο που χρησιμοποιεί το σύστημα διάσωσης για να πραγματοποιήσει υποβοηθούμενη διάσωση.
- **Σύστημα συγκράτησης:** Ένα σύνολο εξοπλισμού προστασίας από πτώσεις που είναι διαμορφωμένο να αποτρέπει τον χρήστη από το να φθάσει σε κίνδυνο πτώσης. Δεν επιτρέπεται η ελεύθερη πτώση.
- **Χρήστης:** Ένα άτομο που εκτελεί δραστηριότητες ενώ προστατεύεται από ένα σύστημα προστασίας από πτώσεις.
- **Σύστημα διατήρησης ασφαλούς θέσης κατά την εργασία:** Ένα σύνολο εξοπλισμού προστασίας από πτώσεις που είναι διαμορφωμένο για την υποστήριξη ενός χρήστη σε μια θέση κατά την εργασία.

Αρχείο καταγραφής επιθεώρησης και συντήρησης

Ένα αντίγραφο αυτού του πίνακα πρέπει να χρησιμοποιείται σε κάθε επιθεώρηση. Καταγράψτε τις πληροφορίες παρακάτω.

Κατασκευαστής: Προστασία από Πτώση 3M

Αριθμός μοντέλου (σειριακός αριθμός):

Ημερομηνία αγοράς:

Ημερομηνία πρώτης χρήσης:

Αυτό το προϊόν πρέπει να επιθεωρείται από τον χρήστη πριν από κάθε χρήση. Επιπλέον, ένα ικανό άτομο εκτός από τον χρήστη πρέπει να επιθεωρεί αυτόν τον εξοπλισμό κατά τα διαστήματα που καθορίζονται στην ενότητα 5.

Εξάρτημα	Διαδικασία επιθεώρησης	Αποτέλεσμα επιθεώρησης (επιτυχία ή αποτυχία)
Προϊόν (Εικόνα 2)	Επιθεωρήστε τη βάση ανύψωσης για ζημιιά, παραμόρφωση, διάβρωση και σκουριά. Ελέγξτε για ρωγμές, κάμψεις, βαθουλώματα ή φθορά που θα μπορούσαν να επηρεάσουν την ισχύ και τη λειτουργία του συστήματος. Κατά την επιθεώρηση για διάβρωση, πρέπει επίσης να επιθεωρήσετε τη διάταξη αγκυρίου, τις στερεώσεις ή τους συνδετήρες της και τη δομή στην οποία είναι στερεωμένη η διάταξη αγκυρίου.	
	Επιθεωρήστε όλους τους συνδέσμους για ζημιές ή διάβρωση. Σφίξτε αν χρειάζεται.	
	Επιθεωρήστε όλα τα κινούμενα μέρη για θραύσματα, ρωγμές, φθαρμένα τμήματα που μπορούν να προκαλέσουν βλάβη κατά τη λειτουργία.	
Ετικέτες	Όλες οι ετικέτες είναι παρούσες και πλήρως ευανάγνωστες.	
Εξοπλισμός προστασίας από πτώσεις	Πρόσθετος εξοπλισμός προστασίας από πτώση που χρησιμοποιείται με το προϊόν εγκαθίσταται και επιθεωρείται σύμφωνα με τις οδηγίες του κατασκευαστή. Βεβαιωθείτε ότι ο δείκτης αντοχής για κάθε ένα από τα προϊόντα σας είναι συμβατός και επαρκής για την προβλεπόμενη εφαρμογή.	

Περίληψη της επιθεώρησης προϊόντος

Εάν το προϊόν αποτύχει σε μία διαδικασία επιθεώρησης, τότε το προϊόν αποτυγχάνει στη συνολική επιθεώρηση. Εάν το προϊόν αποτύχει στην επιθεώρηση, θέστε το αμέσως εκτός χρήσης. Επισημάνετε ευδιάκριτα το προϊόν με την ένδειξη «ΜΗ ΧΡΗΣΙΜΟΠΟΙΕΙΤΕ». Βλ. Ενότητα 5 για περισσότερες πληροφορίες.

Τύπος επιθεώρησης:	<input type="checkbox"/> Χρήστης	<input type="checkbox"/> Αρμόδιο Άτομο	Συνολικό αποτέλεσμα επιθεώρησης:	
Επιθεωρήθηκε από:			Ημερομηνία επιθεώρησης:	
Υπογραφή:			Ημερομηνία επόμενης επιθεώρησης:	
Πρόσθετες σημειώσεις:				

Πιστοποιήσεις

Το προϊόν συμμορφώνεται με τα εθνικά ή περιφερειακά πρότυπα που καθορίζονται στο εξώφυλλο αυτών των οδηγιών. Η πιστοποίηση και η συμμόρφωση μπορεί να περιορίζονται σε μεμονωμένα μοντέλα προϊόντων ή εφαρμογές.

Για περισσότερες πληροφορίες σχετικά με τις απαιτήσεις πιστοποίησης ή συμμόρφωσης, ανατρέξτε στα εφαρμοστέα πρότυπα και τους κανονισμούς που αναφέρονται για το προϊόν σας.

Οι χρήστες σύμφωνα με τα πρότυπα AS/NZS πρέπει να συμβουλευτούν το AS/NZS 1891.4 για τις απαιτήσεις επιλογής, χρήσης, συντήρησης και εκπαίδευσης.

Προϊόν με πιστοποίηση BSI AS/NZS 5532:2013 Άδεια: BMP 678539	BSI - Head Office Suite 1, Level 1, 54 Waterloo Road Macquarie Park, NSW, 2113 Australia	
--	--	---

Παγκόσμια εγγύηση προϊόντος, περιορισμένη αποκατάσταση και περιορισμός της ευθύνης

Εγγύηση: Τα ακόλουθα αντικαθιστούν όλες τις εγγυήσεις ή προϋποθέσεις, ρητές ή σιωπηρές, συμπεριλαμβανομένων των σιωπηρών εγγυήσεων ή προϋποθέσεων εμπορευσιμότητας ή καταλληλότητας για συγκεκριμένο σκοπό.

Εκτός και αν ορίζεται διαφορετικά από την τοπική νομοθεσία, τα προϊόντα προστασίας από πτώσεις της 3M καλύπτονται από εγγύηση για τυχόν ελαττώματα λόγω κακοτεχνίας και υλικών για χρονική περίοδο ενός έτους από την ημερομηνία της εγκατάστασης ή της πρώτης χρήσης από τον πρώτο ιδιοκτήτη.

Περιορισμένη αποκατάσταση: Κατόπιν γραπτής ειδοποίησης στην 3M, η 3M θα επιδιορθώσει ή θα αντικαταστήσει οποιοδήποτε προϊόν κρίθηκε από την 3M ότι παρουσιάζει εργοστασιακό ελάττωμα λόγω κακοτεχνίας ή υλικών. Η 3M διατηρεί το δικαίωμα να απαιτήσει την επιστροφή του προϊόντος στις εγκαταστάσεις της για αξιολόγηση των αξιώσεων εγγύησης. Αυτή η εγγύηση δεν καλύπτει βλάβες προϊόντων λόγω φθοράς, κατάχρησης, κακής χρήσης, ζημίας κατά τη μεταφορά, αποτυχίας συντήρησης του προϊόντος ή άλλης βλάβης πέραν του ελέγχου της 3M. Η 3M θα αποτελέσει τον μοναδικό κριτή της κατάστασης του προϊόντος και των επιλογών εγγύησης.

Αυτή η εγγύηση ισχύει μόνο για τον αρχικό αγοραστή και είναι η μόνη εγγύηση που ισχύει για τα προϊόντα προστασίας από πτώσεις της 3M. Παρακαλούμε επικοινωνήστε με το τμήμα εξυπηρέτησης πελατών της 3M της περιοχής σας για βοήθεια.

Περιορισμός της ευθύνης: Στον βαθμό που επιτρέπεται από την τοπική νομοθεσία, η 3M δεν είναι υπεύθυνη για τυχόν έμμεσες, απρόβλεπτες, ειδικές ή επακόλουθες ζημιές που περιλαμβάνουν, αλλά δεν περιορίζονται σε απώλεια κερδών που σχετίζεται με οποιονδήποτε τρόπο με τα προϊόντα, ασχέτως της νομικής θεωρίας που προβάλλεται.

Base del pescante de montaje en pared DBI-SALA® de 3M™

Instrucciones para el usuario

N.º de formulario: 5903663, Revisión: F

Este producto está certificado o cumple con las siguientes normas y reglamentos. La certificación y la conformidad pueden restringirse a modelos o aplicaciones de productos individuales. Para obtener más información, consulte *Certificaciones*.

- OSHA 29 CFR 1910.140, 1926.502
- EN 795:2012 (Tipo A)
- CEN/TS 16415:2013 (Tipo A)
- EN 1496:2006 (Cláusula 4.6)
- AS/NZS 5532:2013

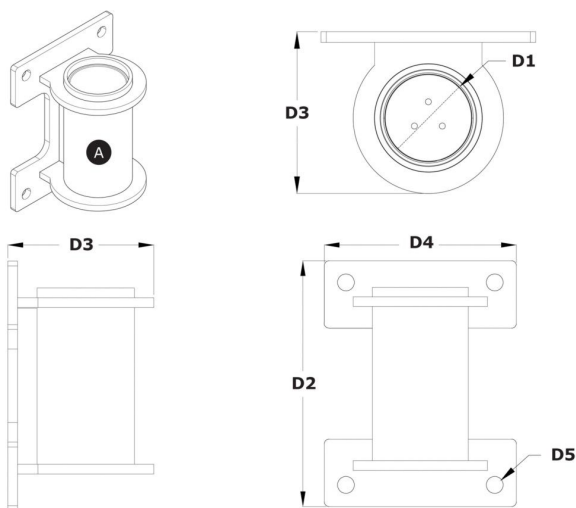
⚠WARNING:

Para la identificación de los códigos de producto, consulte las tablas de especificaciones del producto. Consulte la descripción general del producto para obtener más información sobre el producto.

Es posible que algunos componentes no puedan certificarse individualmente y que sea necesario ensamblarlos para cumplir los requisitos de certificación.

Figura 1: descripción general del producto

Modelo	Estilo	D1	D2	D3	D4	D5	Peso del producto
8000101	A	4,0 in. (10,2 cm)	12,75 pulg. (32,4 cm)	7,5 pulg. (19,0 cm)	10,0 in. (25,4 cm)	0,88 pulg. (22,2 mm)	34,0 lb (15,7 kg)
8000102	A	4,0 in. (10,2 cm)	12,75 pulg. (32,4 cm)	7,5 pulg. (19,0 cm)	10,0 in. (25,4 cm)	0,88 pulg. (22,2 mm)	34,0 lb (15,7 kg)



Información de seguridad

Lea, comprenda y cumpla con todo lo dispuesto en la información de seguridad contenida en estas instrucciones antes de utilizar este producto. SI NO LO HACE, PUEDE SUFRIR LESIONES GRAVES O MORTALES.

Estas instrucciones deben entregarse al usuario del equipo. Conserve las instrucciones para futuras consultas.

Información de seguridad

Formulario: 5908277, Revisión: B

Uso previsto

Este producto se utiliza como parte de un sistema completo de protección anticaídas.

El empleo en cualquier otra aplicación, entre otras, la manipulación de material no aprobado, las actividades de recreo o deportivas u otras actividades no descritas en estas instrucciones, no está aprobado por 3M y podría provocar lesiones graves o mortales.

Este producto solo deben usarlo usuarios formados en su utilización en aplicaciones dentro del lugar de trabajo.

Advertencia

Este producto se utiliza como parte de un sistema completo de protección anticaídas.

Todos los usuarios deben haber recibido toda la formación necesaria en la instalación y funcionamiento seguros del sistema completo de protección anticaídas. El uso indebido de este producto podría ocasionar lesiones graves o la muerte. Para una selección, funcionamiento, instalación, mantenimiento y servicio adecuados, consulte todos los manuales de instrucciones y las recomendaciones del fabricante. Para obtener más información, consulte a su supervisor o póngase en contacto con los servicios técnicos de 3M.

- **Para reducir los riesgos asociados al uso de sistemas de entrada/rescate en espacios confinados que, si no se evitan, pueden provocar lesiones graves o la muerte:**
 - Inspeccione el producto antes de cada uso y después de cualquier caída, de acuerdo con los procedimientos especificados en estas instrucciones.
 - Si la inspección revela alguna condición insegura o defecto, retire el producto del servicio inmediatamente y márkelo claramente con las palabras «NO USAR». Destruya o repare el producto según lo requieran estas instrucciones.
 - Cualquier producto que haya estado sometido a una fuerza de detención de caídas o impacto deberá retirarse inmediatamente del servicio. Destruya o repare el producto según lo requieran estas instrucciones.
 - Asegúrese de que los sistemas de protección anticaídas ensamblados a partir de componentes fabricados por diferentes fabricantes sean compatibles y cumplan con todas las regulaciones, normas o requisitos de protección anticaídas aplicables. Consulte siempre con personal competente antes de usar estos sistemas.
 - El producto solo debe instalarse como se describe en sus manuales de instrucciones. Para instalar o usar el producto de modo distinto al de estos manuales de instrucciones, es necesaria la aprobación por escrito de 3M.
 - Conecte solo subsistemas de protección anticaídas en los puntos de conexión de anclaje designados del producto.
 - Antes de la instalación, asegúrese de que los métodos de instalación y el producto no interfieran con las líneas eléctricas, líneas de gas u otros materiales o sistemas críticos.
 - Asegúrese de que el producto esté configurado e instalado correctamente para un funcionamiento seguro como se describe en estas instrucciones.
 - No retuerza, ate, anude ni deje holgura en la línea de vida.
 - No exceda el número de usuarios permitido según las instrucciones de uso.
 - Tenga precaución al instalar, usar o trasladar el producto, ya que las partes móviles pueden crear puntos de enganche.
 - Se deben seguir los procedimientos de bloqueo/etiquetado cuando corresponda.
 - No establezca una conexión con el sistema mientras se transporta o instala.
- **Para reducir los peligros asociados con el trabajo en altura que, si no se evitan, pueden provocar lesiones graves o la muerte:**
 - Su salud y condición física deben permitirle trabajar con seguridad en altura y resistir todas las fuerzas asociadas con un evento de detención de caída. Consulte con su médico si tiene alguna pregunta con respecto a su capacidad para utilizar este equipo.
 - Nunca exceda la capacidad de carga de su equipo de protección anticaídas.
 - Nunca exceda la distancia máxima de caída libre especificada para su equipo de protección anticaídas.
 - No utilice ningún equipo de protección anticaídas que no pase la inspección o si tiene dudas sobre el uso o la idoneidad del equipo. Póngase en contacto con el servicio de atención al cliente de 3M si tiene cualquier pregunta.
 - Algunas combinaciones de subsistemas y componentes pueden perjudicar el funcionamiento del equipo. Use solo conectores compatibles. Póngase en contacto con el servicio de atención al cliente de 3M antes de emplear este equipo con componentes o subsistemas distintos de los descritos en las instrucciones.
 - Extreme la precaución cuando se encuentre alrededor de maquinaria en movimiento, cuando existan riesgos eléctricos, temperaturas extremas, peligros químicos, gases explosivos o tóxicos, bordes cortantes, superficies abrasivas o materiales que se encuentren por encima de usted y que podrían caer sobre usted o sobre el equipo de protección anticaídas.
 - Asegúrese de que el uso de su producto sea apto para los peligros presentes en su entorno de trabajo.
 - Asegúrese de que haya una distancia de caída adecuada cuando trabaje en altura.
 - Nunca modifique o altere su equipo de protección anticaídas. Solo 3M o las personas autorizadas por escrito por 3M pueden reparar los equipos de 3M.
 - Antes de usar el equipo de protección anticaídas, asegúrese de contar con un plan de rescate por escrito para brindar un rescate rápido si ocurre una caída.
 - Si se produjera una caída, busque atención médica inmediatamente para el trabajador que se haya caído.
 - Utilice únicamente un arnés de cuerpo entero para aplicaciones de detención de caídas. No use un cinturón corporal.
 - Trabaje en un lugar situado lo más directamente posible por debajo del punto de anclaje para minimizar la posibilidad de caídas con balanceo.
 - Se debe utilizar un sistema secundario de protección anticaídas al formarse en este producto. Los aprendices no deben estar expuestos a un riesgo de caída involuntaria.
 - Lleve siempre el equipo de protección individual apropiado cuando instale, use o inspeccione el producto.
 - Nunca trabaje bajo una carga o un trabajador suspendidos.
 - Mantenga siempre una sujeción completa.

Descripción general del producto

Siempre asegúrese de estar utilizando la última revisión de su manual de instrucciones de 3M. Visite www.3m.com/userinstructions o póngase en contacto con el servicio de atención al cliente de 3M para obtener los manuales de instrucciones actualizados.

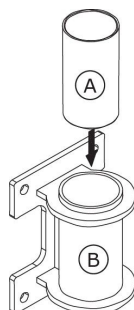
Antes de utilizar este equipo, registre la información del producto indicada en la etiqueta de identificación en el "Registro de inspección y mantenimiento" al final de este manual.

La figura 1 ilustra los modelos de producto disponibles. Las bases del pescante sirven como la parte del sistema de pescante que ayuda a asegurarlo al suelo. El pescante está asegurado a la base mientras actúa como un punto de anclaje ajustable y móvil para el usuario. Consulte las instrucciones del fabricante para el pescante o el sistema de pescante compatible para obtener más información sobre las aplicaciones del sistema.

En la figura 2 se identifican los componentes principales de los distintos modelos disponibles. La base del pescante se compone de dos piezas: Un liner (A) y un manguito del pescante (B). El liner permite que un pescante asegurado gire libremente dentro del manguito del pescante. El manguito incluye una placa de montaje adjunta para asegurar la base del pescante a una estructura.

Cada modelo de producto tiene sus propias especificaciones, como se indica en la Figura 1. Consulte las tablas de especificaciones del producto para obtener más información.

Figura 2: Componentes



Tablas de especificaciones del producto

Especificaciones del sistema

Capacidad del usuario:	Consulte las instrucciones del fabricante para los modelos de pescante compatibles para obtener más información sobre la capacidad del sistema.
Normas:	Cada modelo de producto está certificado o cumple con las normas y reglamentaciones aplicables enumeradas en la figura 1. Si no se especifica ninguna, se aplican todas las normas y reglamentaciones enumeradas en la portada.

Especificaciones de componentes

Referencia de la Figura 2	Componente	Materiales
A	Liner	Polietileno de alta densidad
B	Manguito del pescante	8000101: Acero al carbono galvanizado
		8000102: Acero inoxidable

1.0 Aplicación del producto

1.1 Objetivo: los sistemas de pescante actúan como estructuras de anclaje móviles para los sistemas de protección anticaídas. El ensamblaje y los componentes variarán según el sistema. Para obtener más información sobre las aplicaciones del sistema, consulte la "Descripción general del producto" y cualquier sección sobre la instalación o el uso.

1.2 Supervisión: el uso de este equipo lo debe supervisar una persona competente. La instalación de este equipo la debe supervisar una persona competente. Una persona cualificada deberá confirmar que la instalación cumpla con la normativa nacional y federal. Las fijaciones y la colocación de la base del pescante también deben ser aprobadas por una persona cualificada.

1.3 Reventa y distribución: Si se revende este producto fuera del país de destino original, el revendedor deberá proporcionar estas instrucciones en el idioma del país en donde se vaya a utilizar el producto.

1.4 Formación: La instalación y el uso de este equipo deberán correr a cargo de personas que hayan recibido formación sobre su correcta aplicación. Estas instrucciones han de utilizarse como parte de cualquier programa de formación de empleados exigido conforme a normativas nacionales, regionales o locales. Es responsabilidad de los usuarios y los instaladores de este equipo conocer las presentes instrucciones; haber recibido formación en cuanto al cuidado y uso correctos de este; y conocer las características de funcionamiento, las limitaciones de uso y las consecuencias del uso indebido del equipo.

1.5 Plan de rescate: Al utilizar este equipo y los subsistemas de conexión, la empresa deberá contar con un plan de rescate por escrito y los medios necesarios para llevarlo a término e informar de dicho plan a los usuarios, las personas autorizadas y los responsables del rescate. Se recomienda tener en el centro un equipo de rescate con formación. Se deben proporcionar a los miembros del equipo las técnicas y el equipo necesarios para llevar a cabo un rescate con éxito. Se debe proporcionar de forma periódica formación a los responsables del rescate para garantizar su competencia. Los rescatadores deben recibir estas instrucciones. Debe haber contacto visual o medios de comunicación con la persona rescatada en todo momento durante el proceso de rescate.

2.0 Requisitos del sistema

2.1 Anclaje: la estructura de anclaje que fija este producto debe poder soportar cualquier carga requerida según lo permita su sistema de protección anticaídas. Consulte la sección 4 para obtener información.

2.2 Capacidad: La capacidad del usuario de un sistema completo de protección contra caídas está limitada por su componente de capacidad máxima nominal más baja. Por ejemplo, si su subsistema de conexión tiene una capacidad menor que su arnés, debe cumplir con los requisitos de capacidad de su subsistema de conexión. Consulte las instrucciones del fabricante de cada componente de su sistema para conocer los requisitos de capacidad.

2.3 Peligros medioambientales: la utilización de este equipo en zonas con peligros en el entorno puede requerir precauciones adicionales para evitar que se produzcan lesiones personales o daños al equipo. Algunos de los peligros son, entre otros: el calor, los agentes químicos, los ambientes corrosivos, líneas de alta tensión, gases explosivos o tóxicos, maquinaria en movimiento y bordes cortantes, o bien materiales que puedan caer y golpear al usuario o el equipo. Póngase en contacto con el servicio de atención al cliente de 3M para obtener más aclaraciones.

2.4 Peligros de el sistema anticaída: asegúrese de que el sistema anticaída se mantenga libre de todos los peligros, incluidos, entre otros: enredos con usuarios, otros trabajadores, maquinaria en movimiento, otros objetos circundantes o impacto de objetos elevados que podrían caer sobre el sistema anticaída o los usuarios.

2.5 Compatibilidad de los componentes: el equipo 3M está diseñado para usarse con equipos 3M. El uso con un equipo que no sea 3M lo debe aprobar una persona competente. Las sustituciones realizadas con equipos no homologados pueden poner en peligro la compatibilidad del equipo y pueden afectar a la seguridad y fiabilidad de su sistema de protección anticaídas. Lea y siga todas las instrucciones y advertencias de todos los equipos antes de usarlos.

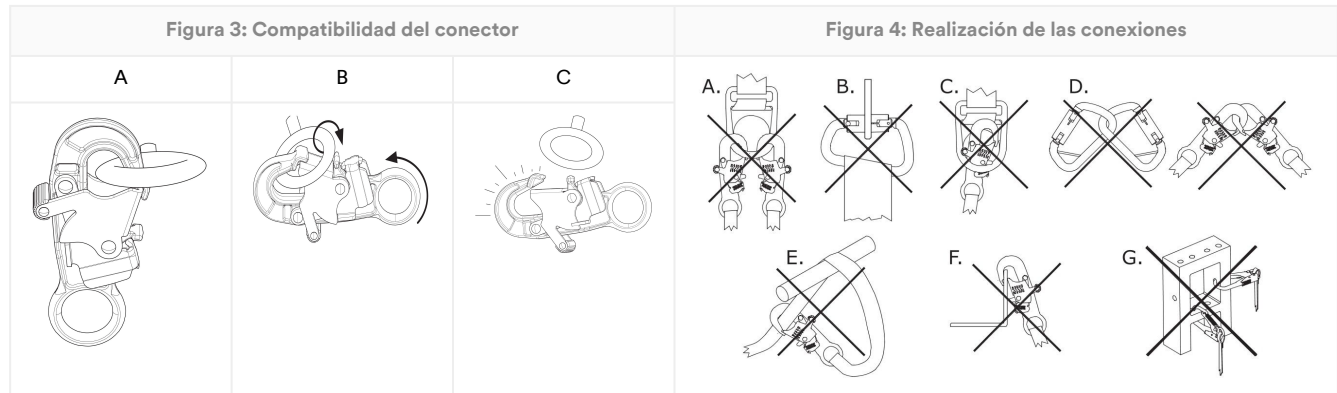
2.6 Compatibilidad de los conectores: los conectores son compatibles con los elementos de conexión cuando el tamaño y la forma de cualquiera de los componentes no provocan que el conector se abra inadvertidamente, independientemente de la orientación. Los conectores deben cumplir con los estándares aplicables. Los conectores deben estar completamente cerrados y bloqueados durante el uso.

Los conectores 3M (ganchos de seguridad y mosquetones con cierre automático) han sido diseñados para usarse solo como se indica en los manuales de instrucciones. Asegúrese de que los conectores sean compatibles con los componentes del sistema a los que están conectados. No utilice equipos que no sean compatibles. El uso de componentes no compatibles puede hacer que el conector se desenganche involuntariamente. Consulte la figura como referencia. Si el elemento de conexión al que se acopla un conector es más pequeño de lo normal o tiene forma irregular, puede suceder

que el elemento conector ejerza fuerza sobre el mecanismo de apertura del conector (A). Esta fuerza podría hacer que el cierre se abra (B), desenganchando el conector del elemento de conexión (C).

2.7 Realización de conexiones: todas las conexiones deben ser compatibles en tamaño, forma y resistencia. Consulte la figura para ver ejemplos de conexiones incorrectas. No acople los ganchos o mosquetones con cierre automático:

1. A una anilla en D que tenga otro conector acoplado.
2. De manera que suponga una carga sobre el mecanismo de apertura. Los mosquetones con cierre automático de cuello grande no deben conectarse a anillas en D u otros elementos de conexión, a menos que el mosquetón con cierre automático tenga una resistencia de cierre de 16 kN o más.
3. En un acoplamiento en falso, cuando el tamaño o forma del conector o elemento de conexión no sean compatibles y, sin confirmación visual, los conectores parece que están completamente acoplados.
4. Entre sí.
5. Directamente a la cincha del arnés, al material del ramal de la eslinga o al autoamarre, a menos que las instrucciones del fabricante permitan explícitamente dicha conexión.
6. A cualquier objeto cuyo tamaño o forma no permita que el conector se cierre y bloquee por completo, o que pueda causar que el conector se deslice.
7. De modo que el conector no quede correctamente alineado mientras está soportando carga.



3.0 Instalación

3.1 Presentación general: la instalación de un sistema de pescante puede ser un procedimiento largo con numerosos pasos. Una planificación eficaz y el conocimiento del lugar de trabajo y del equipo son de gran ayuda para que este proceso se desarrolle de la forma más fluida posible.

3.2 Planificación: planifique el sistema de protección anticaídas antes de comenzar a trabajar. Tenga en cuenta todos los factores que podrían afectar a su seguridad antes, en el transcurso y después de una caída. Tenga en cuenta todos los requisitos y limitaciones definidos en estas instrucciones.

1. **Bordes afilados:** Evite trabajar cuando los componentes del sistema puedan entrar en contacto con bordes cortantes y superficies abrasivas sin protección, o desgastarse contra ellos. Todos los bordes afilados y las superficies abrasivas deben cubrirse con material protector.
2. **Compatibilidad:** a la hora de instalar el sistema, es importante que utilice componentes compatibles. Cada modelo de producto es compatible solo con un conjunto específico de modelos o diseños de productos.

La base del pescante también puede alojar cualquier extensión de mástil del pescante que sea compatible con los pescantes enumerados.

Modelos de pescante compatibles	Instrucciones de uso del pescante
8000107	5908417
8000108	5908417
8000130	5908364
8000131	5908364

3.3 Instalar la base del pescante: Instale la base del pescante según las instrucciones proporcionadas para su modelo de producto.

La superficie de la estructura de anclaje debe limpiarse de cualquier residuo antes de instalar la base del pescante.

A. Base del pescante de montaje en pared: La base del pescante debe prepararse antes de su uso.

1. **Prepara la ubicación.** Seleccione una superficie de montaje adecuada para instalar la base del pescante, luego determine dónde se debe instalar la base. Debe haber suficiente separación desde el borde (A) y grosor del material (B) para sujetar los requisitos de resistencia de su estructura y sistema. Marque y taladre todos los agujeros de montaje según la profundidad y el diámetro recomendados por el fabricante del dispositivo de sujeción.

La base del pescante debe instalarse sobre una superficie plana y vertical.

2. **Coloque la base del pescante.** (Alinee los orificios de la placa de montaje con los orificios perforados. La base del pescante debe colocarse dentro de más o menos 1 grado en dirección vertical.
3. **Asegure la base del pescante.** Asegure la base del pescante con los sujetadores seleccionados, como se especifica en las instrucciones del fabricante del dispositivo de sujeción.

Figura 6: Instalación de la base del pescante de montaje en pared

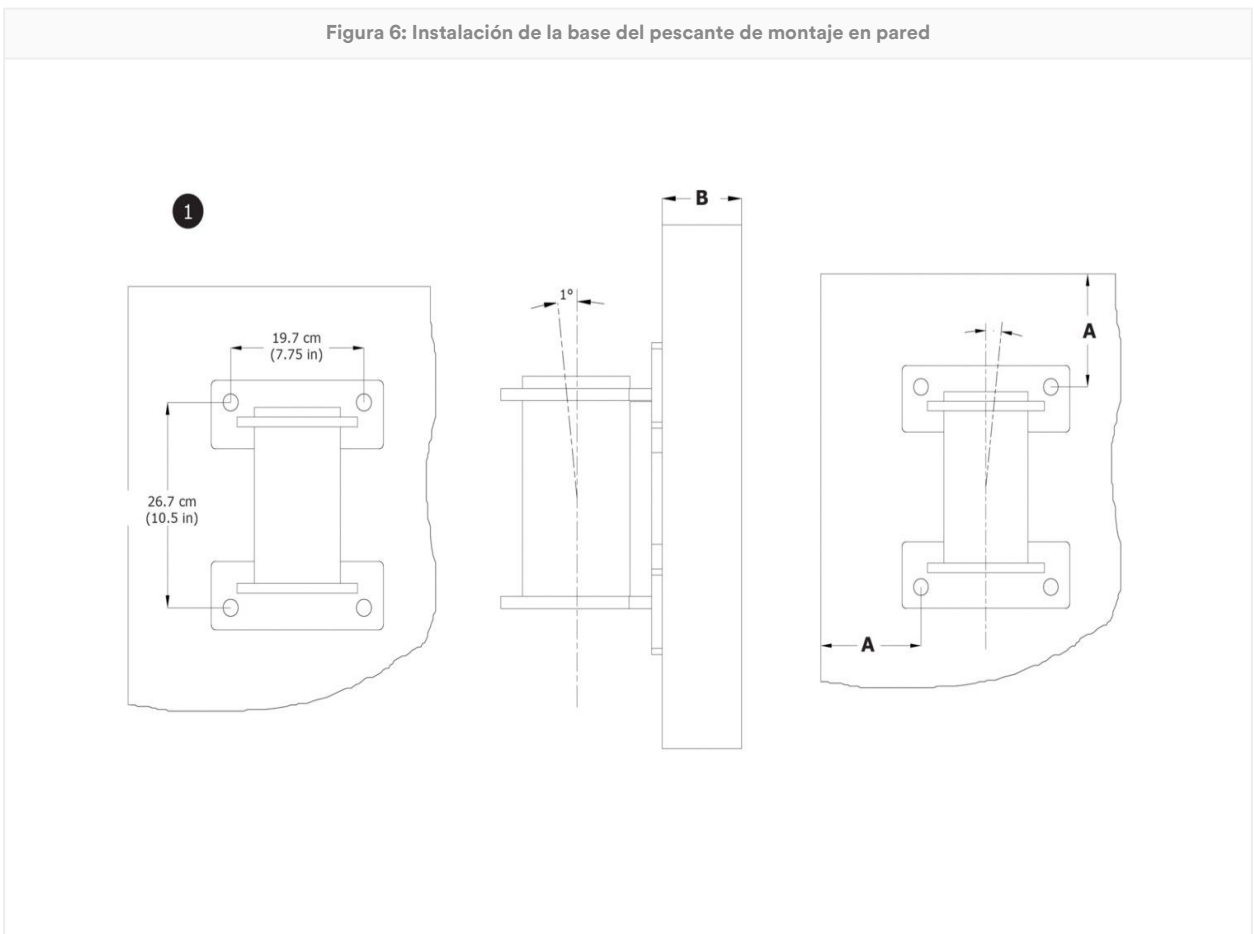
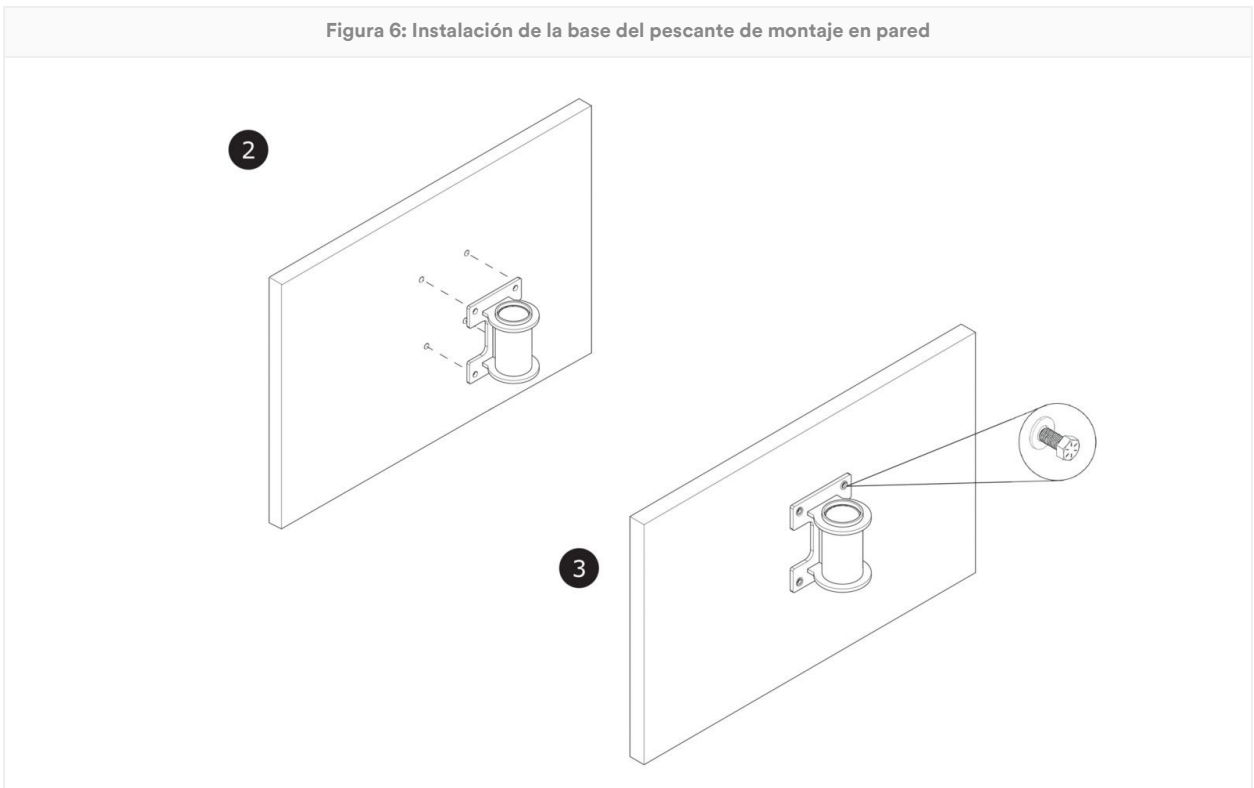


Figura 6: Instalación de la base del pescante de montaje en pared



3.4 Asegurar el pescante: Una vez que se ha instalado la base del pescante, el usuario puede asegurar el brazo del pescante o el mástil a la base. El pescante debe estar asegurado al poste de montaje o dentro del manguito de la base del pescante, según corresponda para la base del pescante que está utilizando. Verifique que el pescante esté seguro y que las guías o pasadores de bloqueo se utilicen correctamente. Consulte las instrucciones del fabricante de su base o del sistema del pescante para obtener más información.

4.0 Uso

4.1 Antes de cada uso: verifique que su área de trabajo y el sistema de protección anticaídas cumplan con todos los criterios definidos en estas instrucciones. Compruebe que exista un plan de rescate formal. Inspeccione el producto según los puntos de inspección del usuario definidos en "Registro de inspección y mantenimiento". Si la inspección pone de manifiesto una condición insegura o defectuosa, o si hay alguna duda sobre si está en condiciones para utilizarlo de forma segura, deje de utilizar el producto de inmediato. Marque claramente el producto con "NO UTILIZAR". Consulte la sección 5 para obtener información.

4.2 Anclaje: Además de la capacidad del producto, cualquier sistema de protección anticaídas debe tener en cuenta las resistencias de la estructura o componentes de soporte.

1. **Estructura del anclaje:** la estructura de anclaje que fija este producto debe poder soportar las cargas requeridas según lo permita el sistema de protección anticaídas de este producto.

Carga de momento	136,400 in.-lb (15,41 kN*m)
------------------	-----------------------------

2. **Puntos de conexión del anclaje:** Los puntos de conexión del anclaje utilizados con el producto deben poder soportar cualquier carga aplicada por el producto.
3. **Sujeciones:** Cualquier sujetador que asegure el producto en su lugar debe ser lo suficientemente fuerte como para mantener el producto asegurado durante el uso. Consulte las instrucciones del fabricante del dispositivo de sujeción para obtener más información.

Fuerza de extracción del dispositivo de fijación	8000 lbf (35,59 kN)
Resistencia a cizalladura por sujetador	5000 lbf (22,2 kN)

4.3 Después de una caída: Si el producto se ha utilizado para detener una caída o se ha sometido a una fuerza de impacto, retire el dispositivo del servicio de inmediato. Coloque una etiqueta que indique claramente "NO UTILIZAR". Consulte la sección 5 para obtener información.

4.4 Uso de materiales: 3M permite el uso de este producto para la uso de materiales según las indicaciones. Las regulaciones o normas locales pueden tener restricciones adicionales o pueden regular el uso de equipos de protección anticaídas para el uso de materiales.

⚠CAUTION:

Este producto debe utilizarse con un pescante compatible para poder utilizarlo en el uso de materiales. Nunca sujete una carga material directamente sobre la base del pescante.

Antes de asegurar su carga de material, verifique que haya sido preparada para el transporte.

Nunca asegure este producto a materiales y usuarios simultáneamente.

El producto utilizado para el uso de materiales debe ser inspeccionado por una persona competente antes de su próximo uso. Las regulaciones o normas locales pueden restringir el cambio entre el uso del personal y el uso de materiales.

1. **Asegure el pescante.** Asegure el pescante a la base del pescante como se especifica en sus instrucciones de uso.
2. **Sujete un subsistema de conexión al pescante.** Para obtener más información, consulte las instrucciones del fabricante de su pescante.
3. **Sujete el sistema anticaída a su carga material.** Baje o eleve la carga de material según sea necesario.

Capacidad de uso de materiales

750 lb (340 kg)

5.0 Inspección

Cuando el equipo se haya retirado del servicio, no podrá volver a ponerse en servicio hasta que una persona cualificada confirme por escrito que es aceptable hacerlo.

5.1 Frecuencia de las inspecciones: El producto debe ser revisado por el usuario antes de cada uso y, adicionalmente, por una persona competente que no sea el usuario en intervalos especificados a continuación. Si el equipo se utiliza con mayor frecuencia y este se usa en condiciones más duras, puede ser necesario aumentar la frecuencia de las inspecciones de la persona competente. La frecuencia de estas inspecciones debe ser determinada por la persona competente según las condiciones específicas del lugar de trabajo.

Norma o región aplicable	Frecuencia requerida de inspecciones de personas competentes
ANSI y OSHA	Una vez al año
Norma EN	Una vez al año
AS/NZS	Una vez al año

5.2 Procedimientos de inspección: inspeccione el producto según los procedimientos definidos en "Registro de inspección y mantenimiento". El propietario de este equipo debe conservar la documentación de cada inspección. Se debe colocar un registro de inspección y mantenimiento cerca del producto o en otro punto que sea de fácil acceso para los usuarios. Se recomienda que este producto esté marcado con la fecha de la próxima o última inspección.

5.3 Defectos: Si el producto no se puede poner en servicio de nuevo debido a un defecto existente o falta de seguridad, debe destruirse o enviarse a 3M o un centro de servicio autorizado por 3M para su reparación o sustitución.

5.4 Vida útil del producto: la vida útil del producto depende de las condiciones de trabajo y mantenimiento. El producto puede seguir utilizándose siempre que cumpla con los criterios de inspección.

6.0 Mantenimiento, almacenamiento y reparación

Cuando un equipo precise mantenimiento o esté programado para el mismo debe estar etiquetado como "NO UTILIZAR". Estas etiquetas de equipo no se deben quitar hasta que se realice el mantenimiento.

6.1 Limpieza: Limpie periódicamente los componentes metálicos del producto con agua templada y una solución jabonosa suave. Enjuague el producto con agua limpia y luego deje que se seque al aire. Para obtener más información, consulte el boletín técnico en nuestro sitio web: <https://www.3M.com/FallProtection/Mechanical-Device-Cleaning>

6.2 Reparación: solo 3M o las personas autorizadas por escrito por 3M podrán reparar este equipo.

6.3 Almacenamiento y transporte: Transporte y almacene el producto en un entorno fresco, seco y limpio, y apartado de la luz directa del sol. Evite las zonas donde pueda haber vapores químicos. Inspeccione exhaustivamente los componentes después de un periodo prolongado de almacenamiento.

Las bases que están instaladas permanentemente no deben salir del lugar de trabajo. Se pueden retirar otros componentes de estas bases para su almacenamiento o transporte, pero la base tendrá que mantenerse montada.

⚠WARNING:

Las transiciones bruscas entre ambientes cálidos y extremadamente fríos podrían afectar el rendimiento de su equipo. Los dispositivos mecánicos (como dispositivos autorretráctiles, cabrestantes, dispositivos de recuperación, manguitos de escalada, etc.) deben adaptarse para su uso en frío o calor extremos almacenándolos a temperaturas similares al entorno de trabajo. Realice siempre una inspección previa al uso de su equipo en su entorno de trabajo antes de utilizarlo.

7.0 Etiquetas y marcados

7.1 Resumen: la figura "Etiquetas del producto" muestra las etiquetas y marcas presentes en el producto. A continuación, consulte un resumen de la información proporcionada con cada etiqueta y marcado.

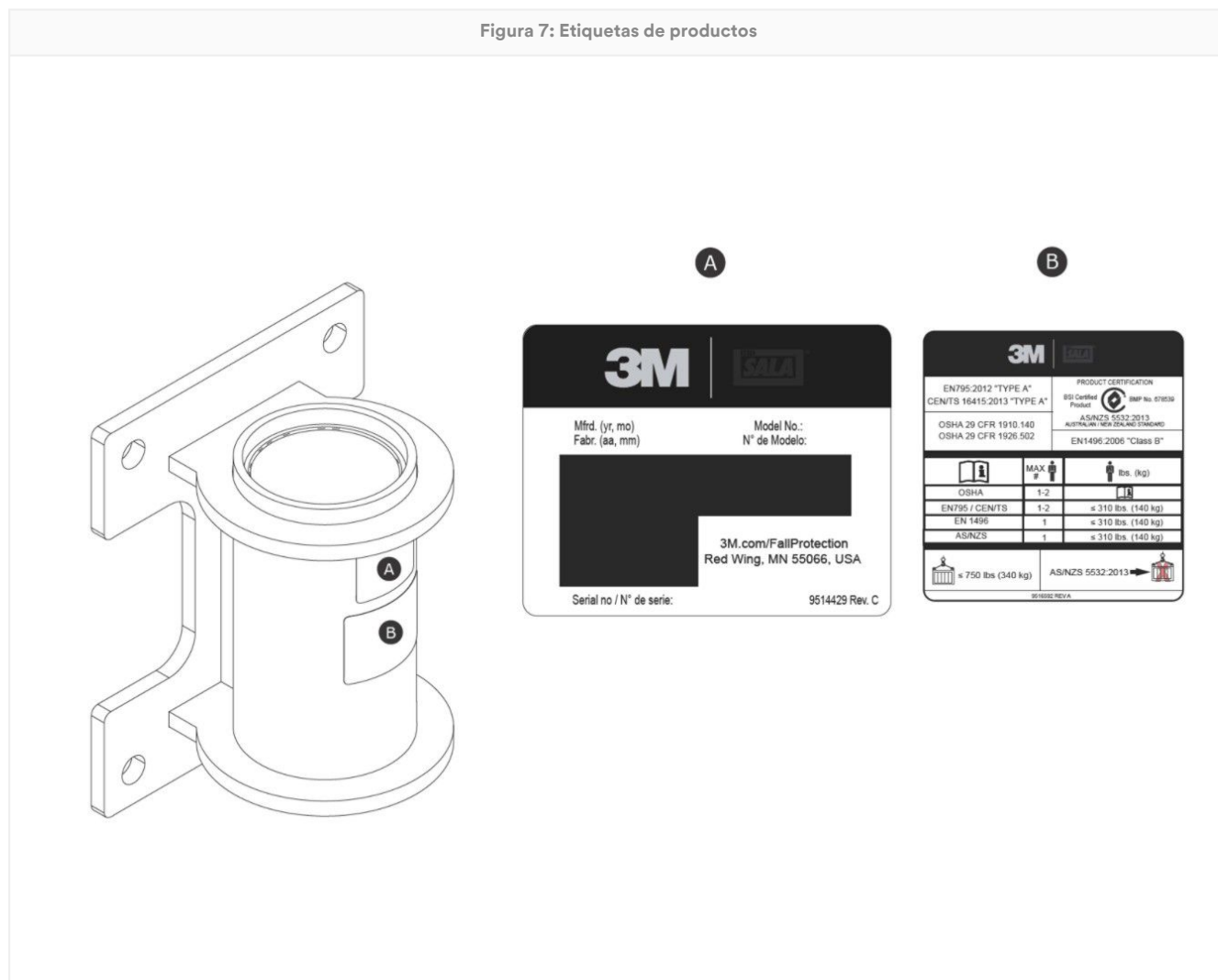
NOTICE:

Las imágenes de las etiquetas pretenden ser representativas. Consulte las etiquetas de su producto para obtener información específica.

Se deben sustituir las etiquetas que falten o estén dañadas. Todas las etiquetas deben poder leerse completamente.

A	Etiqueta de especificaciones del producto
B	Etiqueta de identificación

Figura 7: Etiquetas de productos



Glosario

Definiciones: En estas instrucciones se utilizan los siguientes términos y definiciones:

Para obtener una lista completa de términos y definiciones, por favor, visite nuestro sitio web: www.3m.com/FallProtection/ifu-glossary

- **Persona autorizada:** persona asignada por el empleador para realizar tareas en una ubicación donde estará expuesto a riesgo de caída.
- **Persona competente:** persona que es capaz de identificar peligros existentes y predecibles en el entorno o condiciones de trabajo insalubres, nocivas o peligrosas para los/las empleados/as y que cuenta con autorización para tomar medidas correctivas rápidas conducentes a su supresión.
- **Sistema de detención de caídas:** una colección de equipos de protección contra caídas configurada para proteger al usuario en caso de una caída.
- **Personal cualificado:** persona con un título, certificado o prestigio profesional reconocido, o que con un amplio conocimiento, formación y experiencia haya demostrado con éxito su capacidad para solucionar o resolver problemas relacionados con la protección anticaídas y sistemas de rescate en la medida requerida por regulaciones nacionales, regionales y locales aplicables.
- **Sistema de rescate:** Un conjunto de equipos de protección anticaídas configurados para llevar a una persona de una situación de peligro a un lugar seguro. No se permite la caída libre.
- **Responsable del rescate:** una persona que usa el sistema de rescate para realizar un rescate asistido.
- **Sistema de retención:** una colección de equipos de protección anticaídas configurados para evitar que el centro de gravedad de la persona alcance un riesgo de caída. No se permite la caída libre.
- **Usuario:** una persona que realiza actividades mientras está protegido por un sistema de protección anticaídas.
- **Sistema de posicionamiento de trabajo:** Una colección de equipos de protección contra caídas configurados para sujetar a un usuario en una posición de trabajo.

Registro de inspección y mantenimiento

Se debe utilizar una copia de esta tabla para cada inspección. Registre la información a continuación.

Fabricante: 3M Protección anticaída

Número de modelo (número de serie):

Fecha de compra:

Fecha del primer uso:

El usuario deberá inspeccionar el producto antes de cada uso. Además, una persona competente que no sea el usuario debe inspeccionar este equipo en los intervalos especificados en la Sección 5.

Componente	Procedimiento de inspección	Resultado de la inspección (aprobado o no aprobado)
Producto (Figura 2)	Verifique la base del pescante en busca de daños, deformación, corrosión y óxido en todo el sistema. Busque grietas, dobleces, abolladuras o desgaste que puedan afectar la resistencia y el funcionamiento del sistema. Al inspeccionar la corrosión, también debe inspeccionar el dispositivo de anclaje, sus fijaciones o sujetadores y la estructura a la que está asegurado el dispositivo de anclaje.	
	Verifique si hay daños o corrosión en todos los cierres. Apriete si fuera necesario.	
	Verifique si hay rebabas, grietas, deformaciones o zonas desgastadas en todas las piezas móviles que puedan dar lugar a un error de funcionamiento mientras el sistema está en uso.	
Etiquetas	Todas las etiquetas están en su lugar y son perfectamente legibles.	
Equipo de protección anticaída	El equipo de protección anticaída adicional que se utiliza con el producto se instala e inspecciona según las instrucciones del fabricante. Verifique que la clasificación de resistencia de cada uno de sus productos sea compatible y suficiente para la aplicación prevista.	

Resumen de la inspección del producto

Si el producto no pasa un procedimiento de inspección, entonces el producto no pasa la inspección general. Si el producto no pasa la inspección, retírelo del servicio inmediatamente. Marque claramente el producto con "NO UTILIZAR". Consulte la sección 5 para obtener más información.

Tipo de inspección:	<input type="checkbox"/> Usuario	<input type="checkbox"/> Persona competente	Resultado general de la inspección:	
Inspeccionado por:			Fecha de la inspección:	
Firma:			Próxima inspección pendiente:	
Notas adicionales:				

Certificaciones

Su producto cumple las normas nacionales o regionales identificadas en la portada de estas instrucciones. La certificación y la conformidad pueden restringirse a modelos o aplicaciones de productos individuales.

Para obtener más información sobre los requisitos de certificación o conformidad, consulte las normas y reglamentaciones aplicables enumeradas para su producto.

Los usuarios bajo los estándares AS/NZS deben consultar AS/NZS 1891.4 para conocer los requisitos de selección, uso, mantenimiento y capacitación.

Producto certificado por BSI AS/NZS 5532:2013 Licencia: BMP 678539	BSI: Oficina Central Suite 1, Nivel 1, 54 Waterloo Road Macquarie Park, NSW, 2113 Australia	
--	---	---

Garantía global del producto, recurso limitado y limitación de la responsabilidad

Garantía: Las siguientes disposiciones prevalecerán sobre cualquier garantía o condición, expresa o implícita, incluidas las condiciones o garantías implícitas de comerciabilidad o idoneidad para un fin específico.

Salvo que la legislación local estipule lo contrario, los productos de protección contra caídas de 3M están garantizados contra defectos de fabricación de mano de obra y materiales durante un periodo de un año a partir de la fecha de instalación o del primer uso por parte del propietario original.

Compensación limitada: Tras recibir comunicación por escrito, 3M reparará o sustituirá los productos que considere que tienen un defecto de fabricación de mano de obra o materiales. 3M se reserva el derecho de exigir que el producto sea devuelto a sus instalaciones para evaluar las reclamaciones de garantía. Esta garantía no cubre los daños del producto por desgaste, abuso, mal uso, daños en el transporte, falta de mantenimiento del producto u otros daños ajenos al control de 3M. 3M será el único que juzgue el estado del producto y las opciones de garantía.

Esta garantía se aplica únicamente al comprador original y es la única garantía aplicable a los productos de protección anticaídas de 3M. Si necesita ayuda, póngase en contacto con el departamento de servicios de atención al cliente de 3M.

Limitación de responsabilidad: En la medida que lo permita la legislación local, 3M no se responsabilizará de manera alguna de los daños indirectos, fortuitos, especiales o resultantes; entre los que se incluyen la pérdida de ganancia, relativos a los productos independientemente de los fundamentos legales que se aleguen.

3M™ DBI-SALA® Seinale kinnitav taaveti alus

Kasutusjuhend

Vormi number: 5903663, Parandus: F

See toode on sertifitseeritud või vastab järgmistele standarditele ja eeskirjadele. Sertifitseerimine ja vastavus võivad piirduda üksikute tootemudelite või rakendustega. Lisateabe saamiseks vaadake jaotist *Sertifikaadid*.

- OSHA 29 CFR 1910.140, 1926.502
- EN 795:2012 (tüüp A)
- CEN/TS 16415:2013 (tüüp A)
- EN 1496:2006 (punkt 4.6)
- AS/NZS 5532:2013

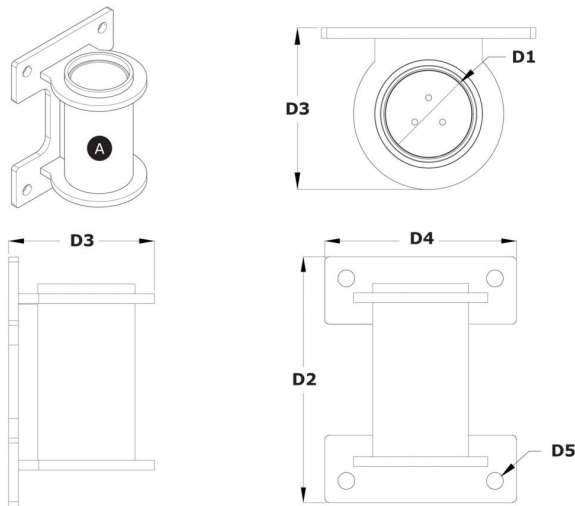
⚠WARNING:

Tootekoodide identifitseerimiseks vaadake toote spetsifikatsioonide tabelleid. Lisateavet toote kohta leiate toote ülevaatest.

Mõned komponendid ei pruugi olla eraldi sertifitseeritud ja võivad vajada sertifitseerimisnõuete täitmiseks kokkupanekut.

Joonis 1 – toote ülevaade

Mudel	Stiil	D1	D2	D3	D4	D5	Toote mass
8000101	A	10,2 cm (4,0 tolli)	32,4 cm (12,75 tolli)	19,0 cm (7,5 tolli)	25,4 cm (10,0 tolli)	22,2 mm (0,88 tolli)	34,0 naela (15,7 kg)
8000102	A	10,2 cm (4,0 tolli)	32,4 cm (12,75 tolli)	19,0 cm (7,5 tolli)	25,4 cm (10,0 tolli)	22,2 mm (0,88 tolli)	34,0 naela (15,7 kg)



Ohutusteave

Enne toote kasutamist lugege läbi ning tehke endale selgeks kogu juhendis esitatud ohutusteave ning järgige seda. SELLE NÕUDE EIRAMINE VÕIB PÕHJUSTADA RASKEID VIGASTUSI VÕI SURMA.

See juhend tuleb anda seadme kasutajale. Jätke juhend edasiseks kasutamiseks alles.

Ohutusteave

Vorm: 5908277, Parandus: B

Sihtotstarve

Toodet kasutatakse tervikliku kukkumiskaitseüsteemi osana.

Ettevõtte 3M ei kiida heaks kasutamist mis tahes teistes rakendustes, sealhulgas kinnitamata materjalikäitluses, vabaaja- või sporditegevustes või teistes nendes juhistes kirjeldamata tegevustes, ja see võib põhjustada raskeid vigastusi või surma.

Seda toodet tohivad kasutada ainult koolitatud kasutajad töökoharakendustes.

Hoiatus.

Toodet kasutatakse tervikliku kukkumiskaitseüsteemi osana.

Kõik kasutajad peavad olema läbinud täieliku väljaõppe kogu kukkumiskaitseüsteemi ohutuks paigaldamiseks ja kasutamiseks. Toote väärkasutamine võib põhjustada raskeid vigastusi või surma. Õige valiku, kasutamise, paigaldamise, hoolduse ja teeninduse kohta lugege kõiki kasutusjuhendeid ja tootjasoovitusi. Lisateabe saamiseks pöörduge oma järelevalvaja poole või võtke ühendust ettevõtte 3M tehnilise toega.

- **Selleks, et vähendada piiratud ruumi sisenemis-/päästesüsteemi kasutamise seotud ohte, mille eiramine võib põhjustada raskeid vigastusi või surma, toimige järgmiselt.**
 - Kontrollige toodet enne iga kasutamist ja pärast iga kukkumisjuhtumit, järgides selles juhendis toodud toiminguid.
 - Kui kontrollimisel avastatakse ohtlik või defektne olukord, eemaldage toode viivitamatult kasutusest ja tähistage see selgelt märkega „MITTE KASUTADA“. Hävitage või parandage toode nendele juhistele vastavalt.
 - Kõik tooted, millele on rakendatud kukkumiskaitset või löögijõudu, tuleb viivitamatult kasutusest kõrvaldada. Hävitage või parandage toode nendele juhistele vastavalt.
 - Toimige järgmiselt, et vähendada kasutades seotud ohte, mille eiramine võib põhjustada raskeid vigastusi või surma. Enne vastavate süsteemide kasutamist konsulteerige alati pädeva või kvalifitseeritud töötajaga.
 - Toodet tohib paigaldada ainult kasutusjuhendis kirjeldatud viisil. Paigaldised ja kasutus väljaspool selle kasutusjuhendi reguleerimisala peab olema 3M poolt kirjalikult heaks kiidetud.
 - Ühendage kukkumiskaitse alamsüsteemid ainult toote ettenähtud ankuruspunktide külge.
 - Enne paigaldamist veenduge, et paigaldusmeetodid ja toode ei sega elektriliinide, gaasitorude ega muude kriitiliste materjalide või süsteemide tööd.
 - Veenduge, et toode oleks konfigureeritud ja paigaldatud õigesti ohutuks kasutamiseks, nagu on kirjeldatud selles juhendis.
 - Ärge väanake, siduge, sõlmige päästeliini ega laske sellel lõdveneda.
 - Ärge ületage selles juhendis määratud lubatud kasutajate arvu.
 - Olge toote paigaldamisel, kasutamisel või liigutamisel ettevaatlik, kuna liikuvad osad võivad tekitada muljumiskohti.
 - Vajadusel tuleb järgida „Lukusta ja märgista“ protseduure.
 - Ärge ühendage süsteemi selle transportimise või paigaldamise ajal.
- **Selleks et vähendada kõrgustes töötamisega kaasnevaid ohte, mille eiramine võib põhjustada raskeid vigastusi või surma, toimige järgmiselt.**
 - Teie tervislik ja füüsiline seisund peab võimaldama teil ohutult teha kõrgtöid ja taluda kõiki kukkumiskaitsega seotud jõudusid. Kui teil on küsimusi selle seadme kasutamise kohta, pidage nõu oma arstiga.
 - Ärge kunagi ületage kukkumisvastase varustuse lubatud kandevõimet.
 - Ärge kunagi ületage kukkumiskaitse seadmele määratud maksimaalset vaba kukkumise vahemaad.
 - Ärge kasutage kukkumiskaitsevahendeid, mis ei läbi kontrolli või kui tunnete muret seadme kasutamise või sobivuse pärast. Küsimuste korral võtke ühendust ettevõtte 3M klienditeenindusega.
 - Mõned alamsüsteemide või komponentide kombinatsioonid võivad häirida selle varustuse toimimist. Kasutage ainult ühilduvaid ühendusi. Enne seadme kasutamist koos muude kui selles juhendis kirjeldatud komponentide või alamsüsteemidega võtke ühendust 3M-i klienditoega.
 - Kasutage täiendavaid ettevaatusabinõusid, kui töötate liikuvate masinate, elektriliste ohtude, äärmuslike temperatuuride, keemiliste ohtude, plahvatusohtlike või mürgiste gaaside, teravate servade, abrasiivsete pindade läheduses kõrgemal olevate materjalide all, mis võivad kukkuda teie või teie kukkumiskaitsevahendite peale.
 - Veenduge, et toote kasutamine on hinnatud vastaks teie töökeskkonnas esinevate ohtude suhtes.
 - Kõrgustes töötades veenduge, et allalangemiseks vajalik ruum oleks piisav.
 - Ärge modifitseerige ega muutke kukkumisvastast varustust. 3M-seadmeid tohivad remontida ainult 3M või 3M-i poolt kirjalikult volitatud isikud.
 - Enne kukkumiskaitsevarustuse kasutamist veenduge, et on olemas kirjalik päästeplan, mis võimaldab kiiret päästmist kukkumisjuhtumi korral.
 - Kukkumise korral võimaldage kukkunud töötajale viivitamata arstiabi.
 - Kasutage kukkumiskaitse rakendustes ainult täiskehakarkleid. Ärge kasutage rihma.
 - Vähendage võimaliku kukkumisega kaasneva kiikumisliigutuse amplituudi, töötades nii vahetult ankuruspunkti all kui võimalik.
 - Selle tootega seotud väljaõppel tuleb kasutada teisest kukkumiskaitseüsteemist. Koolitatavad ei tohi kokku puutuda tahtmatu kukkumisohtuga.
 - Toote paigaldamisel, kasutamisel või kontrollimisel kandke alati sobivaid isikukaitsevahendeid.
 - Ärge kunagi töötage rippuva koorma või töötaja all.
 - Säilitage alati 100% kinnitus.

Toote ülevaade

Veenduge alati, et kasutaksite 3M kasutusjuhendi uusimat versiooni. Uusimate kasutusjuhendite saamiseks külastage [ettevõtte veebilehte www.3m.com/userinstructions](http://ettevõtte.veebilehte.www.3m.com/userinstructions) või võtke ühendust ettevõtte 3M klienditoega.

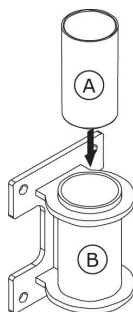
Enne selle varustuse kasutuselevõtmist kirjutage tehasesildilt välja toote tuvastamist võimaldavad andmed, mis on vajalikud käesoleva kasutusjuhendi lõpus toodud ülevaatus- ja hoolduspäeviku täitmiseks.

Joonisel 1 on toodud saadaolevad tootemudelid. Taaveti alused toimivad taaveti süsteemi osana, mis aitab seda maapinnale kinnitada. Taavet kinnitatakse aluse külge, toimides samal ajal kasutaja jaoks reguleeritava, liigutatava kinnituspunktina. Süsteemirakenduste kohta lisateabe saamiseks vaadake ühilduva taaveti või taaveti süsteemi tootja juhiseid.

Joonisel 2 on toodud saadaolevate tootemudelite põhikomponendid. Taaveti alus koosneb kahest tükist: Vooderdis (A) ja taaveti ümbris (B). Vooderdis võimaldab kinnitatud taavetil oma ümbrise sees vabalt pöörleda. Ümbris sisaldab paigaldusplaati taaveti aluse kinnitamiseks konstruktsioonile.

Igal tootemudelil on oma spetsifikatsioonid, mis on loetletud joonisel 1. Lisateabe saamiseks vaadake komponentide spetsifikatsioonide tabelleid.

Joonis 2 – komponendid



Toote spetsifikatsioonitabelid

Süsteemi spetsifikatsioonid

Kasutaja kandevõime:	Süsteemi võimsuse kohta lisateabe saamiseks vaadake ühilduvate taavetmudelite tootja juhiseid.
Standardid:	Iga tootemudel on sertifitseeritud või vastab kehtivatele standarditele ja määrustele, mis on loetletud joonisel 1. Kui ühtegi pole määratud, siis kehtivad kõik kaanel loetletud standardid ja määrused.

Komponendi tehnilised andmed

Joonis 2 Tähis	Komponent	Materjalid
A	Vooderdis	Kõrge tihedusega polüetüleen
B	Taaveti ümbris	8000101: Tsingitud süsinikteras
		8000102: Roostevaba teras

1.0 Toote kasutamine

1.1 Otstarve: Taavet-süsteemid toimivad kukkumiskaitesüsteemide mobiilsete kinnitusstruktuuridena. Kokkupanek ja komponendid varieeruvad sõltuvalt süsteemist. Lisateavet süsteemirakenduste kohta leiate jaotisest "Toote ülevaade" ja igast installimist või kasutamist käsitlevast jaotisest.

1.2 Järelevalve. Selle varustuse kasutamine peab toimuma pädeva isiku järelevalve all. Selle varustuse paigaldamine peab toimuma pädeva isiku järelevalve all. Kvalifitseeritud isik peab kinnitama, et konstruktsioon vastab kohalikele ja föderaalsetele nõuetele. Kinnitusdetailid ja taaveti aluse paigutus peavad olema kinnitatud ka kvalifitseeritud isiku poolt.

1.3 Edasimüük ja levitamine: Kui seda toodet müüakse mujal kui algses sihtriigis, peab edasimüüja esitama selle kasutusjuhendi kohalikus riigikeeles.

1.4 Väljaõpe. Selle varustuse peavad paigaldama ja seda kasutama töötajad, kes on saanud selle nõuetekohase kasutamise väljaõppe. See juhend on mõeldud kasutamiseks osana töötajate koolitusprogrammist riiklike, piirkondlike ja kohalike nõuete täitmiseks. Selle seadme kasutajad ja paigaldajad peavad olema selle juhendiga tutvunud, oskama seadet hooldada ja kasutada ning olema teadlikud seadme tehnilistest näitajatest, piirangutest ja väärkasutuse tagajärgedest.

1.5 Päästeplaan. Selle seadme kasutamiseks ja alamsüsteemide ühendamiseks peab töandjal olema koostatud kirjalik päästeplaan, vajalikud vahendid päästeplaani realiseerimiseks ning meetmed kasutajad, volitatud isikud ja päästjad päästeplaaniga kurssi viia. Soovitatav on asjakohase väljaõppega kohapealse päästemeeskonna olemasolu. Meeskonnaliikmetel peab olema päästeoperatsiooni õnnestumiseks vajalik varustus ja teadmised vajalikest töövõtetest. Päästjate oskuste tagamiseks peavad nad läbima regulaarseid koolitusi. Need juhised tuleks päästjatele anda. Päästeotsessi ajal peaks päästetavaga olema kogu aeg visuaalne kontakt või suhtlusvõimalus.

2.0 Süsteemi nõuded

2.1 Ankurdus. ankurdusvahendid, millega see toode on kinnitatud, peab olema suuteline pidama vastu mis tahes nõutavatele koormustele, mis on lubatud toote kukkumiskaitesüsteemiga. Lisateavet leiate jaotisest 4.

2.2 Kandevõime. täieliku kukkumiskaitesüsteemi kandevõime on piiratud selle nõrgima komponendi maksimaalse kandevõimega. Näiteks kui teie ühendatava alamsüsteemi kandevõime on väiksem kui rakmete kandevõime, peate järgima ühendatava alamsüsteemi kandevõime nõudeid. Teavet kandevõime nõuete kohta vaadake tootja juhistest oma süsteemi iga komponendi kohta.

2.3 Keskkonnaohud. Selle seadme kasutamine keskkonnaohtudega aladel võib nõuda täiendavaid ettevaatusabinõusid, et vältida kasutaja vigastamist või seadmete kahjustamist. Ohtude hulka võivad kuuluda järgmised tegurid: Kõrge kuumus, kemikaalid, söövitav keskkond, kõrgepingeliinid, plahvatusohtlikud või mürgised gaasid, liikuv tehnika, teravad servad või pea kohal olevad materjalid, mis võivad kasutajale või seadmele peale kukkuda. Põhjalikuma selgituse saamiseks võtke ühendust ettevõtte 3M klienditoega.

2.4 Julgestusköiega seotud ohud. Veenduge, et julgestusköie kasutamisel ei esineks mingeid ohte, mille hulka kuuluvad muu hulgas järgmised ohud: takerdumine kasutajate, teiste töötajate, liikuvate masinate või muude ümbritsevate objektide taha või kokkupõrge pea kohal asuvate objektidega, mis võivad julgestusköiele või kasutajatele peale kukkuda.

2.5 Komponentide ühilduvus: ettevõtte 3M seadmed on loodud kasutamiseks ettevõtte 3M seadmetega. Muude seadmete kasutamise peavad kinnitama pädevad töötajad. Kinnitamata seadmetega tehtud asendused võivad ohustada seadmete ühilduvust ja mõjutada kukkumistökkesüsteemi ohutust ning töökindlust. Enne kasutamist lugege ja järgige kõikide seadmete kõiki juhiseid ning hoiatusi.

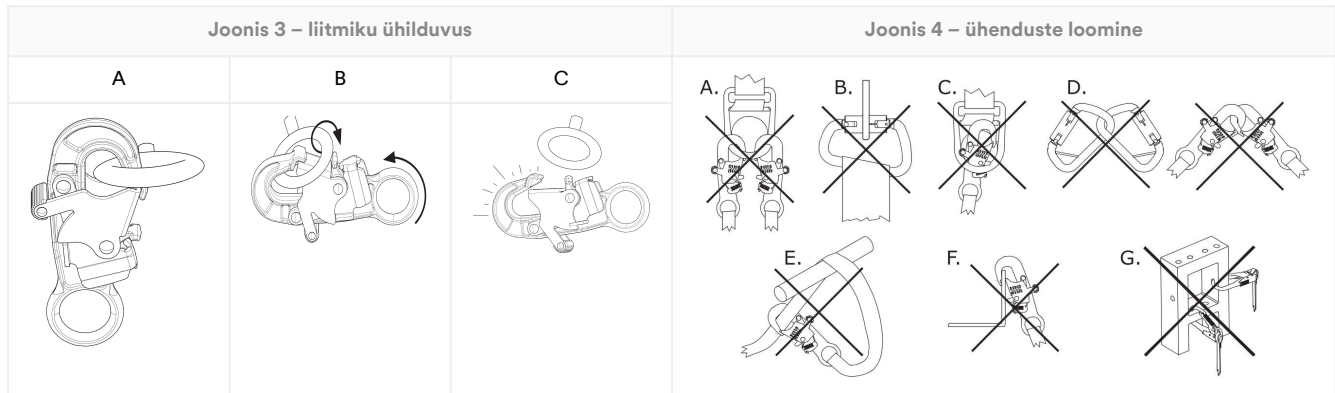
2.6 Liitmike ühilduvus. Liitmikud ühilduvad ühendusdetailidega, kui kummagi komponendi suurus ja kuju ei põhjusta liitmiku tahtmatut avanemist, olenemata asendist. Liitmikud peavad vastama kehtivatele standarditele. Liitmikud peavad olema kasutamise ajal täielikult suletud ja lukustatud.

Ettevõtte 3M liitmikud (iselukustuvad konksud ja karabiinid) on ette nähtud kasutamiseks ainult vastava toote kasutusjuhendis kirjeldatud viisil. Veenduge, et liitmikud ühilduksid süsteemikomponentidega, millega need ühendatakse. Ärge kasutage mitteühilduvat varustust. Mitteühilduvate komponentide kasutamine võib põhjustada liitmiku tahtmatu lahtitulemise. Vt joonist. Juhul kui ühendusdetail, mille külge liitmik kinnitatakse, on alamõduline või sobimatu kujuga, võib ette tulla olukordi, kus ühendusdetaili avaldatav jõud rakendub liitmiku (A) sulgurile. See jõud võib põhjustada sulguri avanemise (B), mille tagajärjel võib liitmik ühendusdetailist (C) lahti tulla.

2.7 Ühenduste tegemine. Kõigi ühenduste suurus, kuju ja tugevus peavad omavahel ühilduma. Joonisel on näidatud valesti loodud ühendused. Ärge kinnitage iselukustuvaid konkse ja karabiine järgmiselt.

1. D-rõngaga, mille külge on kinnitatud teine liitmik.

2. Väravale koormust avaldaval viisil. Suure avaga iselukustuvaid konkse ei tohiks ühendada D-rõngaste ega muude ühendusdetailidega, välja arvatud juhul, kui iselukustuva konksu sulguri tugevus on 16 kN (3600 jõunaela) või suurem.
3. Võltskinnitusesse, mille puhul liitmiku või ühendusdetaili suurus või kuju ei ühildu ning ilma visuaalse vaatluseta tundub, et detailid on korralikult ühendatud.
4. Teineteise külge.
5. Otse rakmelindi, rihmajala materjali või sidumispaela materjali külge, välja arvatud juhul, kui selline ühendus on sõnaselgelt lubatud tootja juhistes.
6. Mis tahes objekti külge, mille suurus või kuju ei võimalda liitmikul täielikult sulguda ja lukustuda või mis võib põhjustada liitmiku väljatulemist.
7. Liitmikku koormuse all valesse asendisse sundival viisil.



3.0. Paigaldus

3.1 Ülevaade: Taavet-süsteemi paigaldamine võib olla pikk protseduur, millel on mitu etappi. Tõhus planeerimine ning teadlikkus oma töökoha ja seadmete kohta on suureks abiks selle protsessi võimalikult sujuvaks kulgemiseks.

3.2 Planeerimine. enne töö alustamist tuleb kukkumiskaitsesteemi kasutamine hoolikalt läbi mõelda. Kõikide võimalike asjaolude ettenägemisest sõltub teie turvalisus enne kukkumist, kukkumise ajal ja pärast kukkumist. Järgige kõiki selles kasutusjuhendis kirjeldatud nõudeid ja piiranguid.

1. **Teravad servad.** Vältige töötamist kohtades, kus süsteemi osad võivad puudutada või hõõruda teravate esemete vastu. Kõik teravad servad ja abrasiivsed pinnad tuleb katta kaitsematerjaliga.
2. **Ühilduvus:** süsteemi paigaldamisel on oluline kasutada ühilduvaid komponente. Iga tootemudel sobib kasutamiseks kindla tootemudelite või -kujunduste komplektiga.

Taaveti alus võib saada ka mis tahes taaveti masti pikendusi, mis ühilduvad loetletud taavetidega.

Ühilduvad taaveti mudelid	Taaveti kasutusjuhend
8000107	5908417
8000108	5908417
8000130	5908364
8000131	5908364

3.3 Taaveti aluse paigaldamine: Paigaldage taaveti alus vastavalt oma tootemudeli juhistele.

Kinnituskonstruktsiooni pind tuleb enne taaveti aluse paigaldamist puhastada prahist.

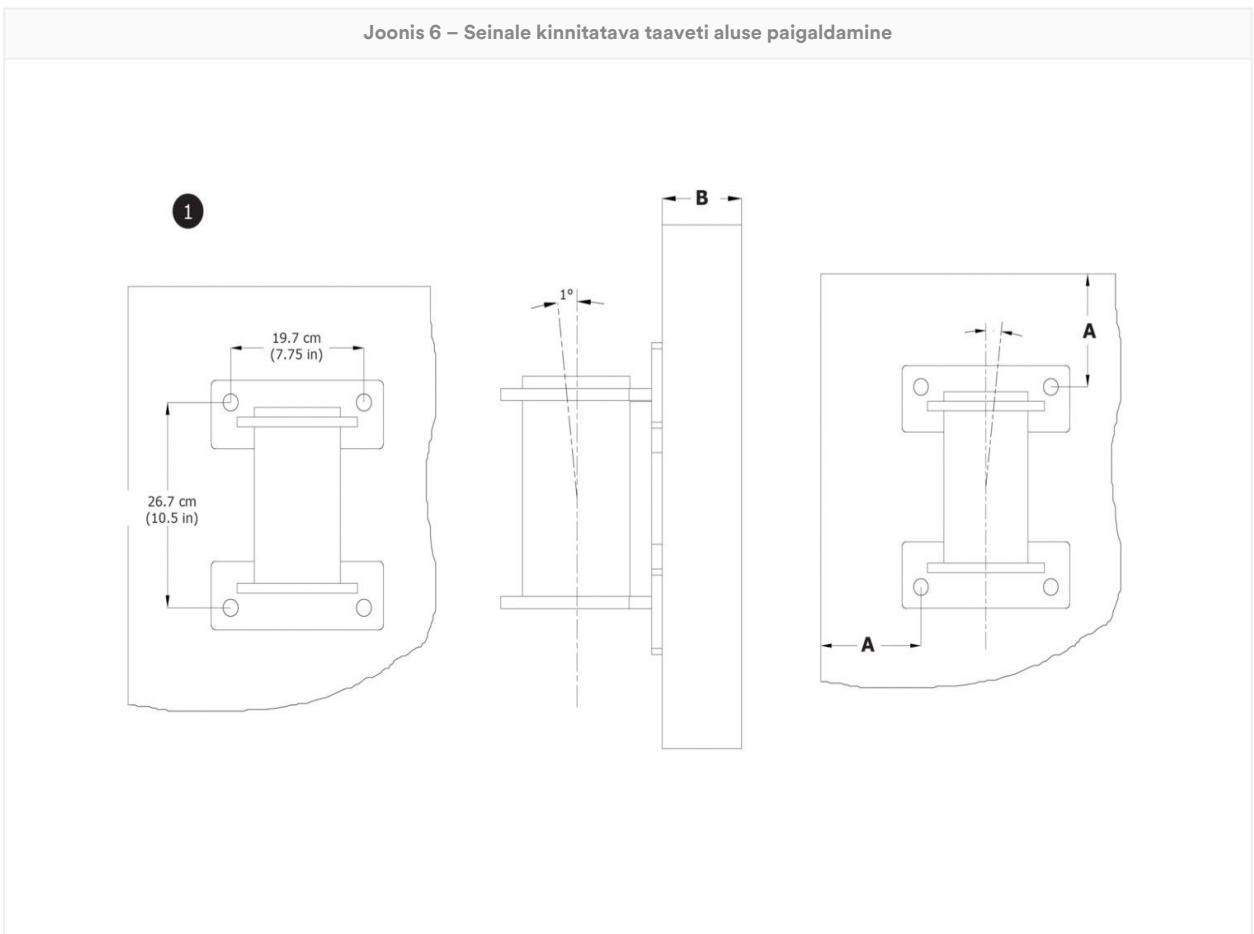
A. Seinale kinnitav taaveti alus: Taaveti alus tuleb enne kasutamist ette valmistada.

1. **Valmistage asukoht ette.** Valige taaveti aluse paigaldamiseks sobiv kinnituspind, seejärel määrake, kuhu alus tuleks paigaldada. Servast (A) ja materjali paksusest (B) peab olema piisavalt tagasilööki, et toetada teie konstruktsiooni ja süsteemi tugevusnõudeid. Märkige ja puurige seejärel kõik kinnitusavad kinnitusdetaili tootja soovitatud läbimõõdu ja sügavusega.

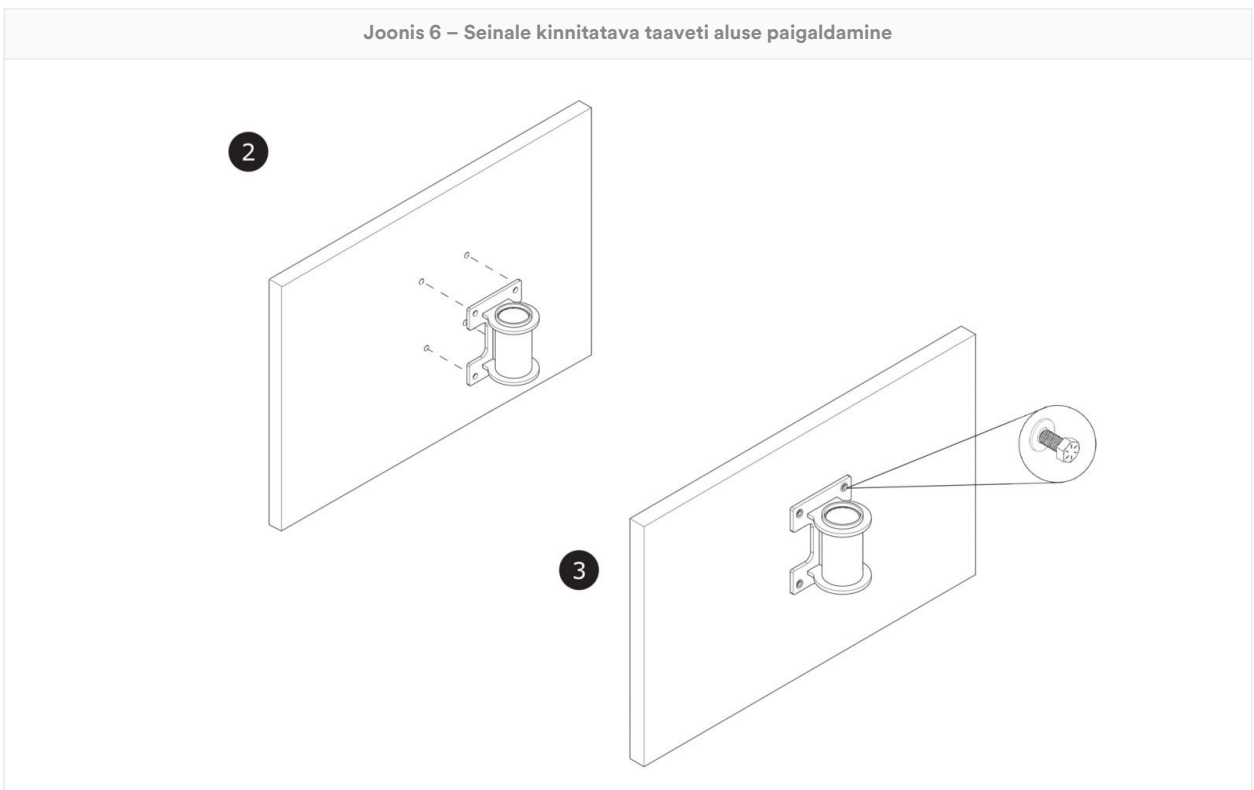
Taaveti alus tuleb paigaldada tasasele vertikaalsele pinnale.

2. **Asetage taaveti alus.** Joondage kinnitusplaadi augud puuritud avadega. Taaveti alus tuleb asetada vertikaalist pluss-miinus 1 kraadi raamesse.
3. **Kinnitage taaveti alus.** Kinnitage taaveti alus valitud kinnitusdetailidega, nagu kirjeldatud kinnitusdetailide tootja juhistes.

Joonis 6 – Seinale kinnitatava taaveti aluse paigaldamine



Joonis 6 – Seinale kinnitatava taaveti aluse paigaldamine



3.4 Taaveti kinnitamine: Pärast taaveti aluse paigaldamist võib kasutaja taaveti varre või masti aluse külge kinnitada. Taavet tuleb kinnitada kinnitusposti külge või taaveti aluse hülsi sisse, nagu see on kohaldatav teie kasutatava taaveti aluse puhul. Veenduge, et taavet on kindlalt kinnitatud ja et juhikuid või lukustustihvte kasutatakse õigesti. Lisateabe saamiseks oma taaveti või taavet-süsteemi kohta lugege tootja juhiseid.

4.0 Kasutamine

4.1 Enne iga kasutuskorda. Veenduge, et teie töökoht ja kukkumiskaitstesüsteem vastaksid kõigile selles juhendis määratletud kriteeriumidele. Veenduge, et ametlik päästeplaan oleks olemas. Kontrollige toodet, järgides kasutajale mõeldud kontrolltoiminguid jaotises „Ülevaatus- ja hoolduspäevik“. Kui ülevaatusel ilmneb ohtlik või puudulik seisund või kui selle kasutusseisundi ohutus on kaheldav, eemaldage toode viivitamatult kasutuselt. Märgistage toode selgelt tekstiga MITTE KASUTADA. Lisateavet leiate jaotisest 5.

4.2 Ankurdus: Lisaks toote kandevõimele peab iga kukkumiskaitstesüsteem arvestama mis tahes tugistruktuuride või komponentide tugevustega.

1. **Ankurduskonstruksioon:** seda toodet kinnitav ankurkonstruksioon peab pidama vastu nõutavatele koormustele, mida lubab selle toote kukkumiskaitstesüsteem.

Koormusmoment	136,400 tolli/naela (15,41 kN*m)
---------------	----------------------------------

2. **Ankurduspunktid.** Tootega kasutatavad ankurduspunktid peavad taluma kõiki toote poolt rakendatavaid koormusi.
3. **Kinnitid:** Kõik toodet paigal kinnitavad kinnitused peavad olema piisavalt tugevad, et hoida toodet kasutamise ajal paigal. Lisateavet vt kinnituste tootja juhendist.

Kinnitusdetaili väljatõmbejõud	35,59 kN (8,000 naela)
Nihke tugevus kinnitusvahendi kohta	22,2 kN (5 000 naela)

4.3 Pärast kukkumist. Kui seadmele rakendub pidurdus- või löögijõud, eemaldage see kohe kasutusest. Märgistage see selgelt tekstiga MITTE KASUTADA. Lisateavet leiate jaotisest 5.

4.4 Materjali käitlemine: 3M lubab seda toodet kasutada materjali käitlemiseks vastavalt juhiste. Kohalikel eeskirjadel või standarditel võivad olla täiendavad piirangud või need võivad reguleerida kukkumiskaitsevahendite kasutamist materjalide käitlemisel.

⚠CAUTION:

Seda toodet tuleb kasutada koos ühilduva taavetiga, et seda saaks kasutada materjali käitlemiseks. Ärge kunagi kinnitage materjalikoormat otse taaveti alusele.

Enne materjalikoorma kinnitamist veenduge, et see on transpordiks ette valmistatud.

Ärge kunagi kinnitage seda toodet samaaegselt materjalide ja kasutajate külge.

Materjali käitlemiseks kasutatavat toodet peab pädev isik enne selle järgmist kasutamist kontrollima. Kohalikud eeskirjad või standardid võivad piirata personali kasutamise ja materjalikäitluse vahetamist.

1. **Kinnitage taavet.** Kinnitage taavet taaveti alusele, nagu kirjeldatud selle kasutusjuhendis.
2. **Kinnitage ühendav alamsüsteem taaveti külge.** Lisateabe saamiseks oma taaveti kohta lugege tootja juhiseid.
3. **Kinnitage turvaliin oma materjalikoorma külge.** Vajadusel vähendage või suurendage materjalikoormust.

Materjalide kandevõime

750 naela (340 kg)

5.0. Ülevaatus

Kui seade on kasutuselt eemaldatud, ei tohi seda uuesti kasutada enne, kui pädev isik on selle sobivust kirjalikult kinnitanud.

5.1 Ülevaatusintervall: Kasutaja peab selle toote enne igat kasutuskorda üle kontrollima ja lisaks peab selle ülevaatus tegema mitte kasutaja, vaid selleks pädev isik allpool kirjeldatud ajavahemike järel. Seadmete sagedasema kasutamise ja karmimate kasutustingimuste korral võib juhtuda, et pädev isik peab neid sagedamini kontrollima. Ülevaatus sageduse peaks määrama pädev isik vastavalt töökoahas kehtestatud tingimustele.

Kohaldatav standard või piirkond	Pädevate isikute kontrollide nõutav sagedus
ANSI ja OSHA	Üks kord aastas
EN standardid	Üks kord aastas
AS/NZS	Üks kord aastas

5.2 Ülevaatusoimingud: Kontrollige seda toodet vastavalt jaotises „Ülevaatus- ja hoolduspäevik“ kirjeldatud toimingutele. Seadme omanik peab kõigi ülevaatuste dokumentatsiooni alles hoidma. Ülevaatus- ja hoolduspäevik peaks asuma toote lähedal või olema kasutajatele muul viisil hõlpsasti kättesaadav. Soovitav on märkida tootele järgmise või eelmise ülevaatuskuupäev.

5.3 Defektid: Kui toodet ei saa olemasoleva defekti või ohtliku seisundi tõttu hooldusesse tagastada, tuleb toode hävitada või saata parandamiseks 3M-ile või 3M-i volitatud hoolduskeskusesse.

Toote kasutusiga: Toote kasutusiga oleneb töötingimustest ja hooldusest. Toodet võib kasutada, kuni see vastab ülevaatuskriteeriumitele.

6.0 Hooldus, hoiustamine ja remont

Seadmed, mis vajavad hooldust või mis on kavas hooldusesse saata, tuleb märgistada tekstiga MITTE KASUTADA. Neid seadmete silte ei tohi eemaldada enne, kui hooldus on tehtud.

6.1 Puhastamine: Puhastage toote metalloosi regulaarselt sooja vee ja õrna seebilahusega. Loputage toodet puhta veega ja laske seejärel õhu käes kuivada. Lisateavet leiate tehnilistest teadetest meie veebisaidil: <https://www.3M.com/FallProtection/Mechanical-Device-Cleaning>

6.2 Remont: Seda seadet võivad remontida ainult 3M või 3M-i kirjaliku volitusega isikud.

6.3 Hoiustamine ja transportimine: Hoiustage ja transportige toodet jahedas, kuivas ning puhtas keskkonnas, mis on otsese päikesevalguse eest kaitstud. Vältige ruume, kus võib olla kemikaalide auru. Pärast pikemat hoiustamist kontrollige komponente põhjalikult.

Püsivalt paigaldatud alused ei tohiks töökohalt lahkuda. Muid komponente võib nendest alustest ladustamiseks või transportimiseks eemaldada, kuid alus peab jääma.

⚠WARNING:

Äkilised üleminekud sooja ja äärmiselt külma keskkonna vahel võivad mõjutada teie seadme jõudlust. Mehaanilised seadmed (nt isetõmbuvad seadmed, vintsid, väljavõttevahendid, ronimisümrised jne) tuleks kohandada kasutamiseks äärmuslikus külmas või kuumuses, hoides neid töökeskkonnaga sarnasel temperatuuril. Enne kasutamist kontrollige alati oma seadmeid töökeskkonnas.

7.0 Sildid ja märgistus

7.1 Kokkuvõte. Joonisel „Tootesildid” on kujutatud tootel olevaid silte ja märgistusi. Allpool leiate iga sildi ja märgistusega kaasneva teabe kokkuvõtte.

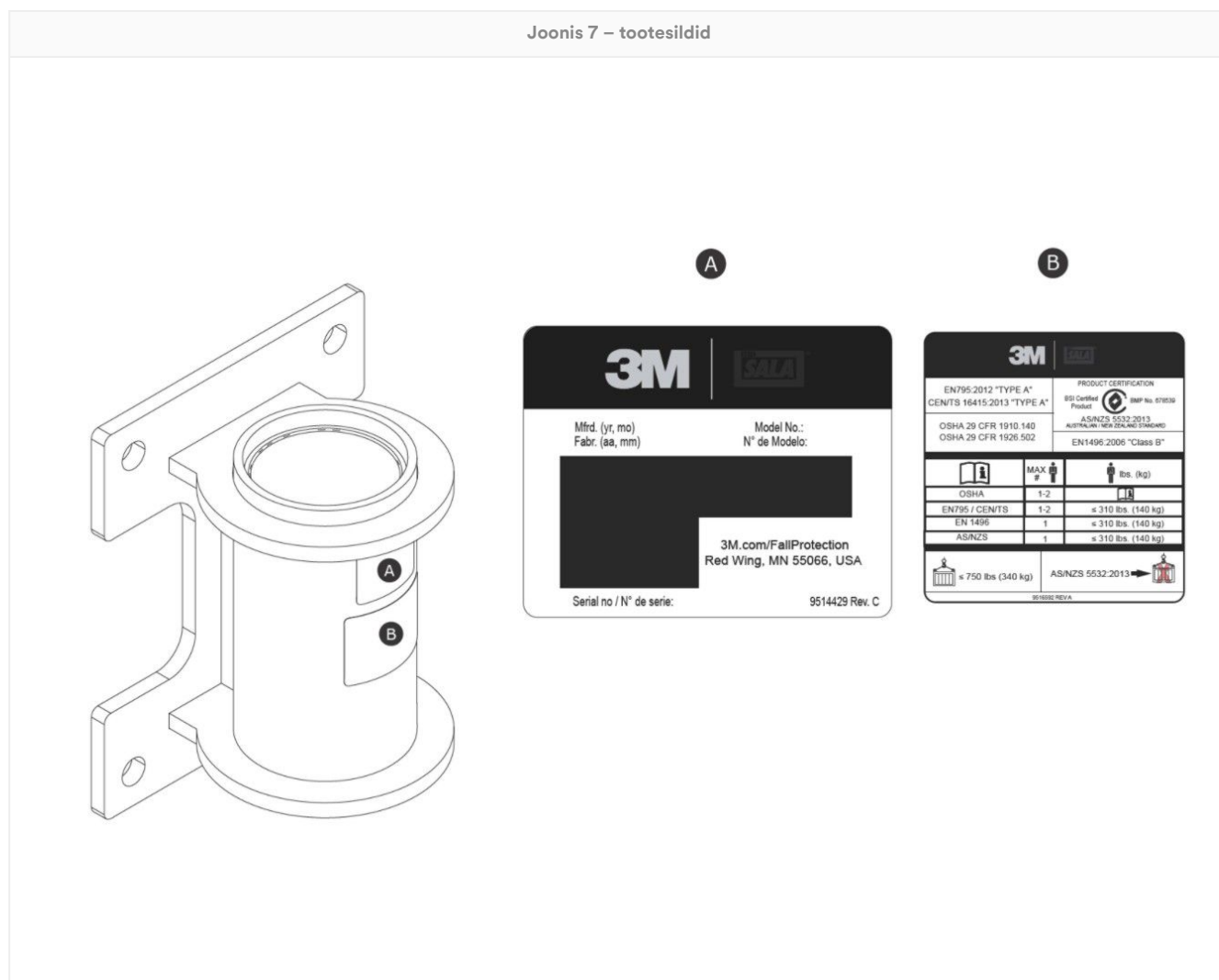
NOTICE:

Sildi kujutised peavad olema näitlikud. Täpsemat teavet vaadake tootesiltidelt.

Puuduvad või kahjustatud sildid tuleb asendada. Kõik sildid peavad olema selgelt loetavad.

A	Toote spetsifikatsioonide silt
B	Tehasesilt

Joonis 7 – tootesildid



Sõnastik

Mõisted. Selles kasutusjuhendis kasutatakse järgmisi mõisteid ja määratlusi.

Mõistete ja määratluste põhjaliku loendi vaatamiseks külastage meie veebisaiti: www.3m.com/FallProtection/ifu-glossary

- **Volitatud isik:** tööandja määratud isik, kellel on õigus teha tööd asukohas, kus ta puutub kokku allakukkumisohuga.

- **Pädev isik:** isik, kes on pädev hindama olemasolevaid ja ettenähtavaid ohte ümbruskonnas või töötingimustes, mis on töötaja jaoks antisanitaarsed või ohtlikud. Pädev isik on volitatud viivitamatult tarvitusele võtma parandusmeetmed selliste ohtude kõrvaldamiseks.
- **Kukkumise pidurdamise süsteem:** kukkumiskaitsevahendite kogum, mis on konfigureeritud kasutajat kukkumise korral kaitsma.
- **Kvalifitseeritud isik:** isik, kellel on tunnustatud kraad, tunnistus või erialane tunnistus või kes on laialdaste teadmiste, väljaõppe ja kogemuste põhjal tõestanud oma võimet lahendada kukkumiskaitse- ja päästesüsteemide probleeme asjakohaste riiklike, piirkondlike, ning kohalike määruste kohaselt.
- **Päästesüsteem:** kukkumiskaitsevahendite kogum, mis on konfigureeritud inimese viimiseks ohtlikust kohast ohutusse kohta. Vabalangemine ei ole lubatud.
- **Päästja:** isik, kes kasutab päästesüsteemi abistatud päästetöö tegemiseks.
- **Turvasüsteem:** Kukkumiskaitsevahendite kogum, mis on konfigureeritud kasutaja kukkumisohtu jõudmise tõkestamiseks. Vabalangemine ei ole lubatud.
- **Kasutaja:** Isik, kes teostab tegevusi kukkumiskaitse süsteemiga kaitstuna.
- **Töösendis hoidmise süsteem:** Kukkumiskaitsevahendite kogum, mis on konfigureeritud toetama kasutajat töösendis.

Ülevaatus- ja hoolduspäevik

Igal kontrollimisel tuleks kasutada selle tabeli koopiat. Salvestage teave allpool.

Tootja: 3M kukkumiskaitse

Mudeli number (seerianumber):

Ostukuupäev:

Esmase kasutusele võtmise kuupäev:

Kasutaja peab seda toodet enne igat kasutuskorda kontrollima. Lisaks peab pädev isik, kes ei ole kasutaja, seda seadet kontrollima jaotises 5 täpsustatud ajavahemike järel.

Komponent	Ülevaatusoimingud	Ülevaatus tulemus (läbinud või nurjunud)
Toode (joonis 2)	Kontrollige taaveti alust kahjustuste, deformatsiooni, korrosiooni ja rooste suhtes. Otsige pragusid, painutusi, mõlke või kulumist, mis võivad mõjutada süsteemi tugevust ja tööd. Korrosiooni kontrollimisel tuleks kontrollida ka ankruseadet, selle kinnitusi või kinnitusvahendeid ning konstruktsiooni, mille külge ankurdusseade on kinnitatud.	
	Kontrollige kõiki kinnitusvahendeid kahjustuste või korrosiooni suhtes. Vajaduse korral pingutage.	
	Kontrollige kõiki liikuvaid osi eraldunud kildude, pragude, lõhede või kulumiste suhtes, mis võivad töö ajal talitlushäireid põhjustada.	
Sildid	Kõik sildid peavad olema alles ja selgelt loetavad.	
Kukkumiskaitsevahendid	Tootega koos kasutatavad täiendavad kukkumiskaitsevahendid paigaldatakse ja kontrollitakse vastavalt tootja juhistele. Veenduge, et iga teie toote tugevusreiting on ühilduv ja kavandatud rakenduse jaoks piisav.	

Tootekontrolli kokkuvõte

Kui toode mõnda ülevaatusoimingut ei läbi, siis ei läbi toode ka üldist ülevaatus. Kui toode üldist ülevaatus ei läbi, eemaldage see kohe kasutuselt. Märgistage toode selgelt tekstiga MITTE KASUTADA. Lisateavet leiate jaotisest 5.


Ülevaatus tüüp	<input type="checkbox"/> Kasutaja	<input type="checkbox"/> Pädev isik	Üldise ülevaatus tulemus	
Ülevaataja:			Ülevaatus kuupäev:	
Allkiri:			Järgmine ülevaatus:	
Märkused:				

Sertifikaadid

See toode vastab riiklikele või piirkondlikele standarditele, mis on märgitud kasutusjuhendi esikaanele. Sertifitseerimine ja vastavus võivad piirduda üksikute tootemudelite või rakendustega.

Lisateavet sertifitseerimis- või vastavusnõuete kohta leiate oma toote jaoks loetletud standarditest ja eeskirjadest.

AS/NZS-i standardite järgivad kasutajad peaksid valiku-, kasutus-, hooldus- ja koolitusnõuete osas konsulteerima AS/NZS 1891.4-ga.

BSI sertifitseeritud toode AS/NZS 5532:2013 Litsents: BMP 678539	BSI - Head Office Suite 1, Level 1, 54 Waterloo Road Macquarie Park, NSW, 2113 Austraalia	
--	---	---

Rahvusvaheline tootegarantii, piiratud õiguskaitsse ja vastutuse piiramine

Garantii. Järgmine esitatakse igasuguste otseste või kaudsete garantiide või tingimuste asemel, sealhulgas kaudsete garantiide või tingimuste asemel müüdavuse suhtes või sobivuse suhtes teatavaks otstarbeks.

Kui kohalike õigusnormidega ei ole teisi ette nähtud, antakse kukkumiskaitsetoodetele 3M garantii tehases tekkinud teostus- ja materjalidefektide suhtes üheks aastaks alates algse omaniku poolse paigaldamise või esmakordse kasutamise kuupäevast.

Piiratud heastamine; Pärast kirjaliku teate laekumist 3M-le remondib või vahetab 3M toote, millel on 3M hinnangul tehases tekkinud teostus- või materjalidefekt. 3M jätab endale õiguse nõuda toote tagastamist oma ettevõttele garantiinõuete hindamiseks. See garantii ei hõlma kulumisest, kuritarvitamisest, väärast kasutamisest või transpordi käigus või ebapiisavast hooldusest tekkinud kahjustusi ega muid kahjustusi, mis 3M kontrollile ei allu. 3M-l on ainuotsustusõigus toote seisukorra ja garantiivõimaluste kohta.

See garantii kehtib ainult algsele ostjale ning on ainus kukkumiskaitsetoodetele 3M kohaldatav garantii. Abi saamiseks võtke ühendust 3M-i oma piirkonna klienditeenindusosakonnaga.

Piiratud vastutus: Kui see on kohalike õigusaktidega lubatud, ei vastuta 3M toodetega mingil viisil seotud kaudsete, juhuslike, eriliste ega järeltuslike kahjude eest, sealhulgas kasumi kaotamise eest, olenemata väidetavast teoreetilisest alusest.

3M™ DBI-SALA® seinäkiinnitteinen taavettijalusta

Käyttöohjeet

Lomakkeen numero: 5903663, versio: F

Tämä tuote on sertifioitu seuraavien standardien ja asetusten mukaisesti tai on niiden mukainen. Sertifiointi ja vaatimustenmukaisuus voivat rajoittua yksittäisiin tuotemalleihin tai käyttökohteisiin. Lisätietoja on osassa *Sertifioinnit*.

- OSHA 29 CFR 1910.140, 1926.502
- EN 795:2012 (tyyppi A)
- CEN/TS 16415:2013 (tyyppi A)
- EN 1496:2006 (lauseke 4.6)
- AS/NZS 5532:2013

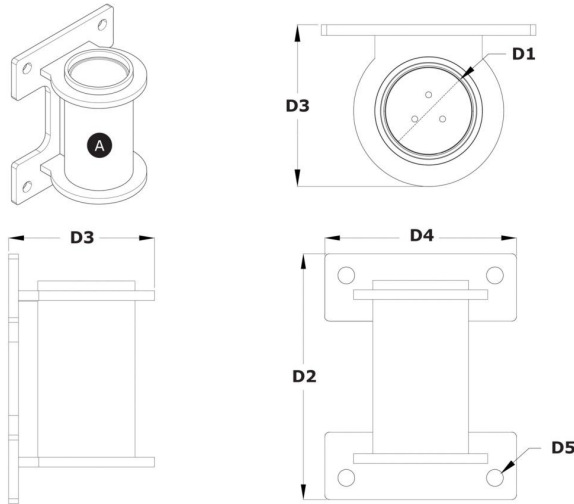
⚠WARNING:

Katso tuotekoodien tunnistamista varten tuotetietotaulukot. Katso lisätietoja tuotteesta tuote-esittelystä.

Joitakin osia ei ole sertifioitu erikseen. Ne täyttävät mahdolliset luokitusvaatimukset, kun järjestelmä on koottu.

Kuva 1 – Tuote-esittely

Malli	Tyyli	D1	D2	D3	D4	D5	Tuotteen paino
8000101	A	10,2 cm (4,0")	32,4 cm (12,75")	19,0 cm (7,5")	25,4 cm (10,0")	22,2 mm (0,88")	15,7 kg (34,0 lb)
8000102	A	10,2 cm (4,0")	32,4 cm (12,75")	19,0 cm (7,5")	25,4 cm (10,0")	22,2 mm (0,88")	15,7 kg (34,0 lb)



Turvallisuustiedot

Kaikki näissä käyttöohjeissa olevat turvallisuusohjeet on luettava ja ymmärrettävä ennen tämän tuotteen käyttöä ja ohjeita on noudatettava. EDELLÄ MAINITUN LAIMINLYÖNTI VOI JOHTAA VAKAVAAN LOUKKAANTUMISEEN TAI KUOLEMAAN.

Nämä ohjeet on annettava laitteen käyttäjälle. Säilytä nämä ohjeet myöhempiä tarvetta varten.

Turvallisuustiedot

Lomake: 5908277, versio: B

Käyttötarkoitus

Tätä tuotetta käytetään osana täydellistä putoamissuojajärjestelmää.

3M ei hyväksy mitään muuta käyttökohdetta, mukaan lukien materiaalinkäsitelyä, virkistys- tai urheilutoimintaa tai muu toimintaa, jota ei ole kuvattu näissä ohjeissa, ja käyttö muuhun tarkoitukseen voi johtaa vakavaan loukkaantumiseen tai kuolemaan.

Tätä tuotetta voivat käyttää ainoastaan koulutetut käyttäjät työskentelytarkoituksiin.

Varoitus

Tätä tuotetta käytetään osana täydellistä putoamissuojajärjestelmää.

Kaikkien käyttäjien on oltava täysin koulutettuja täydellisen putoamissuojajärjestelmänsä turvalliseen asentamiseen ja käyttöön. Tämän tuotteen väärinkäyttö saattaa johtaa vakavaan loukkaantumiseen tai kuolemaan. Oikeaa valintaa, käyttöä, asennusta ja huoltoa koskevat ohjeet löytyvät kaikista käyttöohjeista ja valmistajan suosituksista. Lisätietoja saat esimieheltäsi tai ottamalla yhteyttä 3M:n tekniseen tukeen.

- **Ahtaisiin tiloihin menemisen ja pelastukseen käytettävän laitteen kanssa työskentelyyn liittyviä, mahdollisesti vakavan loukkaantumisen tai kuoleman aiheuttavia riskejä voidaan vähentää seuraavin tavoin:**
 - Tarkasta tuote ennen jokaista käyttöä ja putoamisen jälkeen näissä ohjeissa annettujen ohjeiden mukaisesti.
 - Jos tarkastuksessa ilmenee jokin vaaratekijä tai vika, tulee tuote poistaa käytöstä välittömästi ja siihen tulee kiinnittää selkeä merkintä "ÄLÄ KÄYTÄ". Tuhoa tai korjaa tuote näiden ohjeiden mukaisesti.
 - Kaikki tuotteet, joita on käytetty putoamisen pysäyttämiseen tai joihin on kohdistunut putoamiseneston iskuvoima, on välittömästi poistettava käytöstä. Tuhoa tai korjaa tuote näiden ohjeiden mukaisesti.
 - Varmista, että eri valmistajien valmistamista osista kootut putoamissuojajärjestelmät ovat yhteensopivia ja täyttävät kaikki sovellettavat putoamissuojausmääräykset, standardit tai vaatimukset. Ennen näiden järjestelmien käyttöä tulee aina kääntyä pätevän henkilön puoleen.
 - Tuote tulee asentaa vain sen käyttöohjeissa kuvatulla tavalla. Muut kuin näiden käyttöohjeiden mukaiset asennukset ja käyttötavat on hyväksyttävä kirjallisesti 3M:llä.
 - Kytke putoamissuojauksen alajärjestelmät ainoastaan tuotteen niille määrättyihin ankkurointikiinnityskohtiin.
 - Varmista ennen asennusta, että asennustavat ja tuote eivät häiritse sähkölinjoja, kaasulinjoja tai muita kriittisiä materiaaleja tai järjestelmiä.
 - Varmista, että tuote on koottu ja asennettu oikein turvallisen käytön varmistamiseksi näissä ohjeissa kuvatulla tavalla.
 - Älä kierrä, solmi, sido tai päästä turvaköyttä löysälle.
 - Älä ylitä näissä ohjeissa määritettyä käyttäjien sallittua enimmäislukumäärää.
 - Ole varovainen asentaessasi, käyttäessäsi ja siirtäessäsi tuotetta, sillä liikkuvat osat voivat aiheuttaa puristumisvaaroja.
 - Asianmukaista käytön estomenetelmää on aina noudatettava tarpeen mukaan.
 - Älä kytkeydy järjestelmään, kun sitä kuljetetaan tai asennetaan.
- **Korkealla työskentelyyn liittyviä, mahdollisesti vakavan loukkaantumisen tai kuoleman aiheuttavia riskejä voidaan vähentää seuraavin tavoin:**
 - Terveytesi ja fyysisen kuntosi on oltava riittävän hyvät, jotta voit työskennellä turvallisesti korkealla ja kestää kaikki putoamisen pysäyttämiseen liittyvät voimat. Keskustele lääkärisi kanssa, mikäli sinulla on kysyttävää näiden laitteiden käyttöön liittyvistä valmiuksistasi.
 - Älä koskaan ylitä putoamissuojalaitteiden sallittua kapasiteettia.
 - Älä koskaan ylitä putoamissuojalaitteiden vapaan pudotuksen enimmäisetäisyyttä.
 - Älä käytä putoamissuojaimia, jos ne eivät läpäise tarkastusta tai jos olet huolissasi niiden käytöstä tai sopivuudesta. Jos sinulla on kysyttävää, ota yhteyttä 3M:n asiakaspalveluun.
 - Jotkin lisäjärjestelmä- ja osayhdistelmät saattavat häiritä tämän varusteen toimintaa. Käytä vain yhteensopivia liitäntöjä. Ota yhteyttä 3M:n asiakaspalveluun ennen tämän laitteen käyttöä yhdessä muiden kuin näissä ohjeissa kuvattujen osien tai lisäjärjestelmien kanssa.
 - Ylimääräisiä varoitoimenpiteitä tulee ottaa käyttöön työskennellessä liikkuvien laitteiden, sähkövaarojen, korkeiden lämpötilojen, kemiallisten vaarojen, räjähtävien tai myrkyllisten kaasujen tai terävien reunojen ja hankaavien pintojen läheisyydessä tai mikäli käyttäjän yläpuolella on mahdollisesti hänen päällensä tai putoamisenestolaitteen päälle putoavia materiaaleja.
 - Varmista, että tuotteesi käyttö on arvioitu työympäristösi vaarojen mukaan.
 - Varmista, että korkealla työskennellessä käytössä on riittävä putoamissuojaus.
 - Älä koskaan muokkaa tai muuta putoamissuojalaitetta. Vain 3M tai sen kirjallisesti valtuuttamat henkilöt saavat tehdä korjauksia 3M:n laitteeseen.
 - Varmista ennen putoamissuojainten käyttöä, että käytössä on kirjallinen pelastussuunnitelma, joka mahdollistaa nopean pelastuksen putoamisvaaratilanteessa.
 - Jos putoamistapaturma tapahtuu, hae välittömästi lääkinnällistä apua pudonneelle työntekijälle.
 - Käytä kokovartalovaljaita vain putoamisenestojärjestelmissä. Älä käytä turvavyötä.
 - Minimoi heilahtavan putoamisen mahdollisuus työskentelemällä mahdollisimman suoraan kiinnityspisteen alla.
 - Toissijaista putoamissuojajärjestelmää on käytettävä, kun harjoitellaan tällä tuotteella. Harjoittelijat eivät saa altistua tahattomalle putoamisvaaralle.
 - Tuotetta asennettaessa, käytettäessä tai tarkastettaessa tulee aina käyttää asianmukaisia henkilönsuojaimia.
 - Älä koskaan työskentele riippuvan kuorman tai työntekijän alapuolella.
 - Säilytä aina täydellinen kiinnitys.

Tuote-esittely

Varmista aina, että käytössä on viimeisin versio 3M-käyttöoppaasta. Päivitetty käyttöopas löytyy osoitteesta www.3m.com/userinstructions tai ottamalla yhteyttä 3M-asiakaspalveluun.

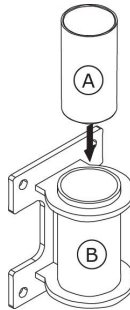
Merkitse ennen tämän tuotteen käyttöä tuotteen tiedot sen tunnusmerkinnästä tämän käyttöoppaan takana olevaan tarkastus- ja kunnossapitolokiin.

Kuvassa 1 näkyvät saatavilla olevat tuotemallit. Taavettijalustat toimivat taavettijärjestelmän osana, joka auttaa kiinnittämään sen maahan. Taavetti on kiinnitetty jalustaan ja se toimii säädettävänä, siirrettävänä ankkurointipisteenä käyttäjälle. Katso yhteensopivan taavetin tai taavettijärjestelmän valmistajan toimittamista ohjeista lisätietoja järjestelmän käyttökohteista.

Kuvassa 2 on esitetty saatavilla olevien tuotemallien tärkeimmät osat. Taavettijalustassa on kaksi osaa: sisäputki (A) ja taavetin suojus (B). Sisäputki mahdollistaa kiinnitetyn taavetin pyörittämisen vapaasti taavetin suojuksen sisällä. Suojukseen on liitetty asennuslevy taavettijalustan kiinnittämiseksi rakenteeseen.

Kuvassa 1 esitetään kunkin tuotemallin tekniset tiedot. Lisätietoja on tuotetietotaulukoissa.

Kuva 2 - Osat



Tuotetietotaulukot

Järjestelmän tekniset tiedot

Käyttäjäkapasiteetti:	Katso yhteensopivien taavettimallien valmistajan toimittamista ohjeista lisätietoja järjestelmän kapasiteetista.
Standardit:	Kukin tuotemalli on sertifioitu kuvassa 1 lueteltujen sovellettavien standardien ja määräysten mukaisesti tai on niiden mukainen. Jos mitään niistä ei ole lueteltu kuvassa 1, sovelletaan kaikkia kannessa lueteltuja standardeja ja määräyksiä.

Osien tekniset tiedot

Kuva 2 Viite	Osa	Materiaalit
A	Sisäputki	Suurtiheyspolyeteeni
B	Taavetin suojus	8000101: Galvanoitu hiiliteräs
		8000102: Ruostumaton teräs

1.0 Tuotteen käyttökohde

1.1 Tarkoitus: Taavettijärjestelmät toimivat liikkuvina kiinnityspisteinä putoamissuojajärjestelmälle. Kokoonpano ja osat vaihtelevat järjestelmän mukaan. Lisätietoja järjestelmän käyttökohteista on tuote-esittelyosassa ja asennusta tai käyttöä koskeissa osissa.

1.2 Valvonta: Pätevän henkilön on valvottava tämän laitteen käyttöä. Pätevän henkilön on valvottava tämän laitteen asennusta. Pätevöityneen henkilön tulee varmistaa, että kulloinkin tehtävä asennus vastaa paikallisia ja maakohtaisia säädöksiä. Pätevöityneen henkilön tulee hyväksyä kiinnikkeiden sekä taavettijalustan sijoituspaikan valinta.

1.3 Jälleenmyynti ja jakelu: Jos tätä tuotetta jälleenmyydään alkuperäisen kohdemaan ulkopuolella, jälleenmyyjän on toimitettava nämä ohjeet tuotteen käyttömaan kielellä.

1.4 Koulutus: Näiden laitteiden asentajilla ja käyttäjillä tulee olla koulutus niiden oikeanlaista käyttöä varten. Nämä ohjeet on tarkoitettu käytettäväksi osana kansallisten, alueellisten tai paikallisten standardien mukaista työntekijöiden koulutusohjelmaa. Laitteen käyttäjien ja asentajien vastuulla on perehtyä näihin ohjeisiin, hankkia koulutusta laitteen asianmukaisissa käyttö- ja huoltotavoissa sekä tuntee laitteen käyttöominaisuudet, käytön rajoitukset ja vääränlaisen käytön aiheuttamat seuraukset.

1.5 Pelastussuunnitelma: Työnantajalla on laitetta ja yhdistettäviä lisäjärjestelmiä käytettäessä oltava pelastussuunnitelma ja valmiudet sekä suunnitelman toteuttamiseksi että siitä tiedottamiseksi laitteen käyttäjille, valtuutetuille henkilöille ja pelastushenkilöstölle. Koulutettua, paikan päällä olevaa pelastushenkilöstöä suositellaan. Pelastushenkilöstön jäsenillä tulee olla hallussaan onnistuneeseen pelastamiseen tarvittavat laitteet ja tekniikka. Pelastushenkilöstön pätevyys tulee varmistaa antamalla koulutusta säännöllisin väliajoin. Nämä ohjeet on annettava pelastushenkilöstölle. Pelastettavaan henkilöön tulee olla näköyhteys tai viestintäyhteys koko pelastusprosessin ajan.

2.0 Järjestelmävaatimukset

2.1 Ankkurointi: Tämän tuotteen ankkurointirakenteen on kestävä kaikki vaaditut kuormitukset putoamissuojajärjestelmän sallimalla tavalla. Lisätietoja on osassa 4.

2.2 Kapasiteetti: Täydellisen putoamissuojajärjestelmän käyttäjäkapasiteettia rajoittaa se osa, jonka suurin sallittu enimmäiskapasiteetti on pienin. Jos esimerkiksi yhdistettävän alajärjestelmän kantavuus on pienempi kuin valjaiden kantavuus, sinun on noudatettava yhdistettävän alajärjestelmän kantavuusvaatimuksia. Katso kapasiteettivaatimukset järjestelmän kunkin osan valmistajan ohjeista.

2.3 Ympäristövaarat: Näiden laitteiden käyttö vaarallisissa ympäristöissä voi vaatia ylimääräisiä turvajärjestelyjä, jotta käyttäjän vammautuminen ja laitteiden vahingoittuminen voidaan estää. Vaaratekijöihin kuuluvat muun muassa seuraavat: suuri kuumuus, kemikaalit, syövyttävät ympäristöt, korkeajännitelinjat, räjähtävät tai myrkylliset kaasut, liikkuvat koneet, terävät reunat tai korkealla olevat, mahdollisesti putoavat ja käyttäjään tai laitteeseen osuvat materiaalit. Voit pyytää lisätietoja 3M:n asiakaspalvelulta.

2.4 Turvaköyteen liittyvät vaarat: Varmista, että turvaköysi pysyy vapaana kaikista vaaroista, mukaan lukien muun muassa seuraavat: takertuminen käyttäjiin, muihin työntekijöihin, liikkuviin koneisiin, muihin ympäröiviin esineisiin tai törmäys ilmassa oleviin esineisiin, jotka voivat pudota turvaköyden tai käyttäjien päälle.

2.5 Osien yhteensopivuus: 3M-laitteet on suunniteltu käytettäväksi 3M-laitteiden kanssa. Pätevän henkilön on hyväksyttävä käyttö muun kuin 3M-laitteen kanssa. Korvaaminen ei-hyväksytyillä laitteilla voi vaarantaa laitteiden yhteensopivuuden ja vaikuttaa putoamissuojajärjestelmän turvallisuuteen ja luotettavuuteen. Lue ja noudata kaikkia laitteita koskevia ohjeita ja varoituksia ennen käyttöä.

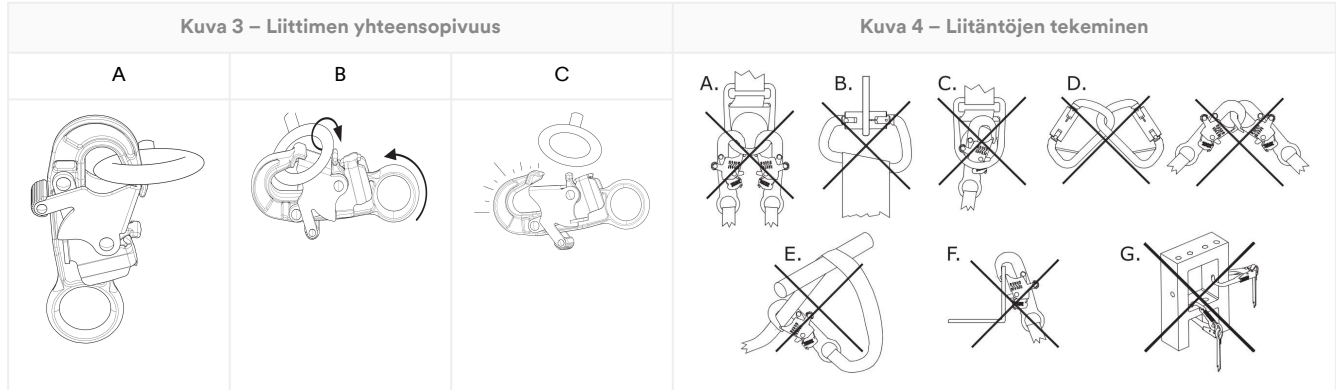
2.6 Liittimien yhteensopivuus: Liittimet ovat yhteensopivia liitäntäosien kanssa, kun kummankaan osan koko ja muoto eivät aiheuta liittimen avautumista vahingossa asennosta riippumatta. Liittimien on oltava sovellettavien standardien mukaisia. Liittimien tulee olla täysin suljettuja ja lukittuja käytön aikana.

3M:n liittimet (napsautuskoukut ja karbiinihaat) on suunniteltu käytettäväksi vain kyseisten tuotteiden käyttöohjeissa kuvatulla tavalla. Varmista, että liittimet ovat yhteensopivia niiden järjestelmän osien kanssa, joihin ne on kytketty. Älä käytä yhteensopimattomia laitteita. Yhteensopimattomien osien käyttö voi aiheuttaa liittimen tahattoman irtoamisen. Katso esimerkki kuvasta. Jos liitäntäosa, johon liitin kiinnitetään, on liian pieni tai epäsäännöllisen muotoinen, on mahdollista, että liitäntäosa kohdistaa voimaa liittimen lukkoon (A). Tämä voima voi sitten saada lukon avautumaan (B) ja irrottaa liittimen liitäntäosasta (C).

2.7 Liitäntöjen teko: Liittimien on oltava kooltaan, muodoltaan ja lujuudeltaan yhteensopivia. Kuvassa näet esimerkkejä vääristä liittämisistä. Jousi- tai karbiinihakoja ei saa kiinnittää:

1. D-renkaaseen, johon on kiinnitetty toinen liitoselin

2. niin, että lukitusosaan kohdistuu kuorma. Jousihakoja, joissa on suuri kita, ei saa liittää vakio kokoisiin D-renkaihin tai muihin liitäntäelementteihin, ellei jousihaan kidan lujuus ole 16 kN (3 600 lbf) tai suurempi.
3. valekiinnityksellä, jossa liitososan liittimien koko tai muoto eivät ole yhteensopivat, ja liittimet vaikuttavat täysin kytketyiltä, vaikka asiaa ei voikaan katsomalla vahvistaa
4. toisiinsa
5. suoraan valjaiden hihnaan, taljaköyteen tai ympärököyteen, ellei valmistajan ohjeissa ole nimenomaisesti sallittu tällaisen liitoksen käyttö
6. mihinkään esineeseen, jonka koko tai muoto ei salli liittimen sulkeutumista ja lukkiutumista kokonaan tai jotka voivat aiheuttaa liittimen irtoamisen
7. siten, että liitin ei kuormitettuna pysty asettumaan oikein.



3.0 Asennus

3.1 Esittely: Taavettijärjestelmän asentaminen voi olla pitkä prosessi, johon sisältyy useita vaiheita. Huolellinen suunnittelu sekä työmaan ja välineistön tuntemus sujuvoittavat asennusta ja helpottavat sitä merkittävästi.

3.2 Suunnittelu: Suunnittele putoamissuojausjärjestelmäsi kokoonpano ennen kuin ryhdyt työhön. Ota huomioon kaikki tekijät, jotka voivat vaikuttaa turvallisuuteen ennen putoamista, sen aikana ja sen jälkeen. Ota huomioon kaikki näissä ohjeissa luetellut vaatimukset ja rajoitukset.

1. **Terävät reunat:** Vältä työskentelyä paikoissa, joissa järjestelmän osat voivat joutua kosketuksiin suojaamattomien terävien reunojen ja hankaavien pintojen kanssa tai hankaantua niitä vasten. Kaikki terävät reunat ja hankaavat pinnat tulee peittää suojamateriaalilla.
2. **Yhteensopivuus:** Asennuksen yhteydessä on tärkeää varmistaa, että asennukseen käytetään vain yhteensopivia osia. Kukin tuote on yhteensopiva vain tiettyjen tuotemallien ja rakenteiden kanssa.

Taavettijalustaan voidaan kiinnittää myös taavettimaston jatkeita, jotka ovat yhteensopivia lueteltujen taavettien kanssa.

Yhteensopivat taavettimallit	Taavetin käyttöohje
8000107	5908417
8000108	5908417
8000130	5908364
8000131	5908364

3.3 Taavettijalustan asentaminen: Asenna taavettijalusta tuotemallisi ohjeiden mukaan.

Ankkurointirakenteen pinnalta on poistettava jäämät ennen taavettijalustan asentamista.

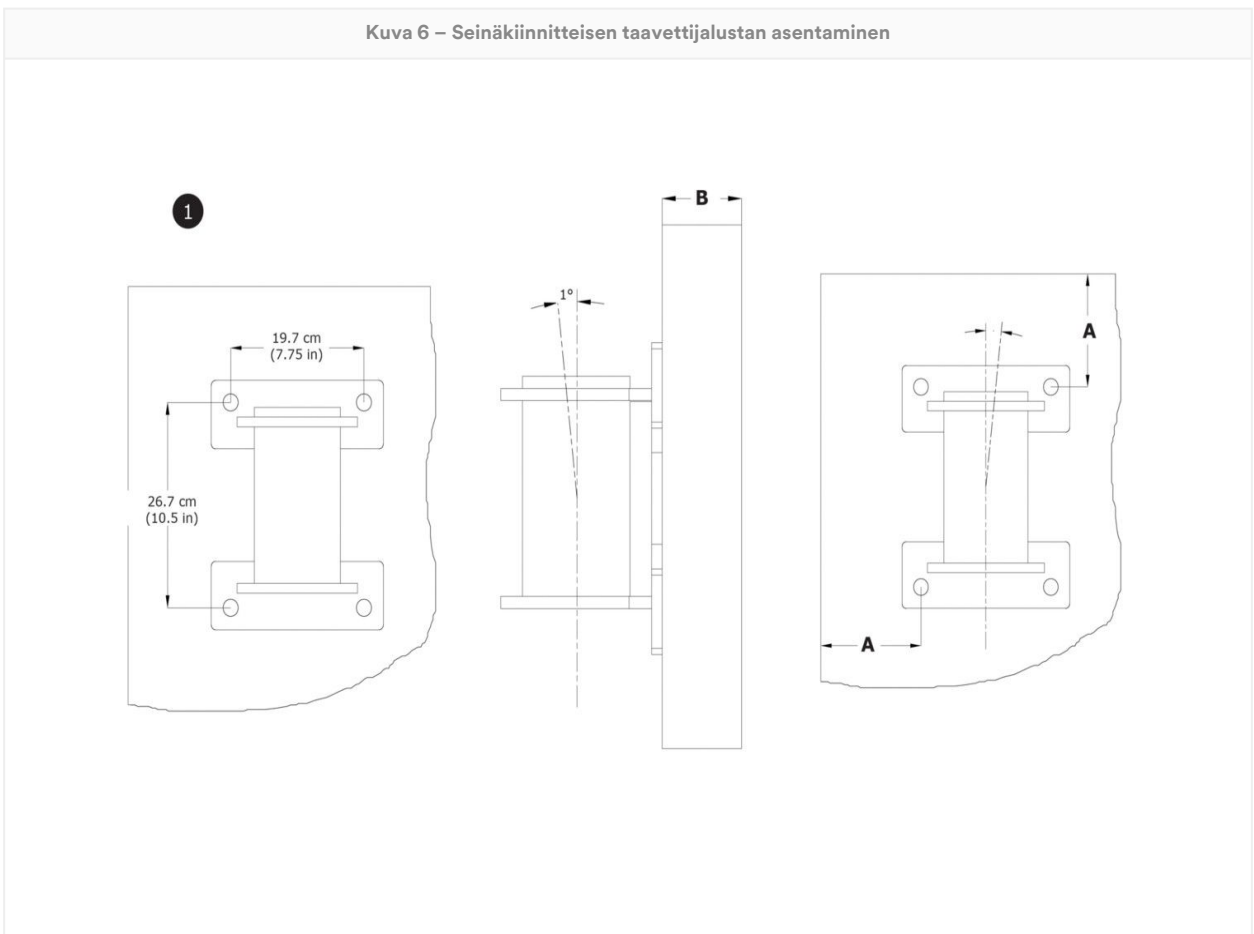
A. Seinäkiinnitteinen taavettijalusta: Taavettijalusta on valmistettava ennen käyttöä.

1. **Valmistele paikka.** Valitse sopiva kiinnityspinta taavettijalustan asentamista varten ja määritä sitten, mihin jalusta asennetaan. Reunassa (A) ja materiaalin paksuudessa (B) on oltava riittävästi varaa, jotta rakenteen ja järjestelmän lujuusvaatimukset täyttyvät. Merkitse ja poraa kiinnitysreiät noudattaen kiinnikkeen valmistajan suosittamia halkaisijan ja syvyyden mittoja.

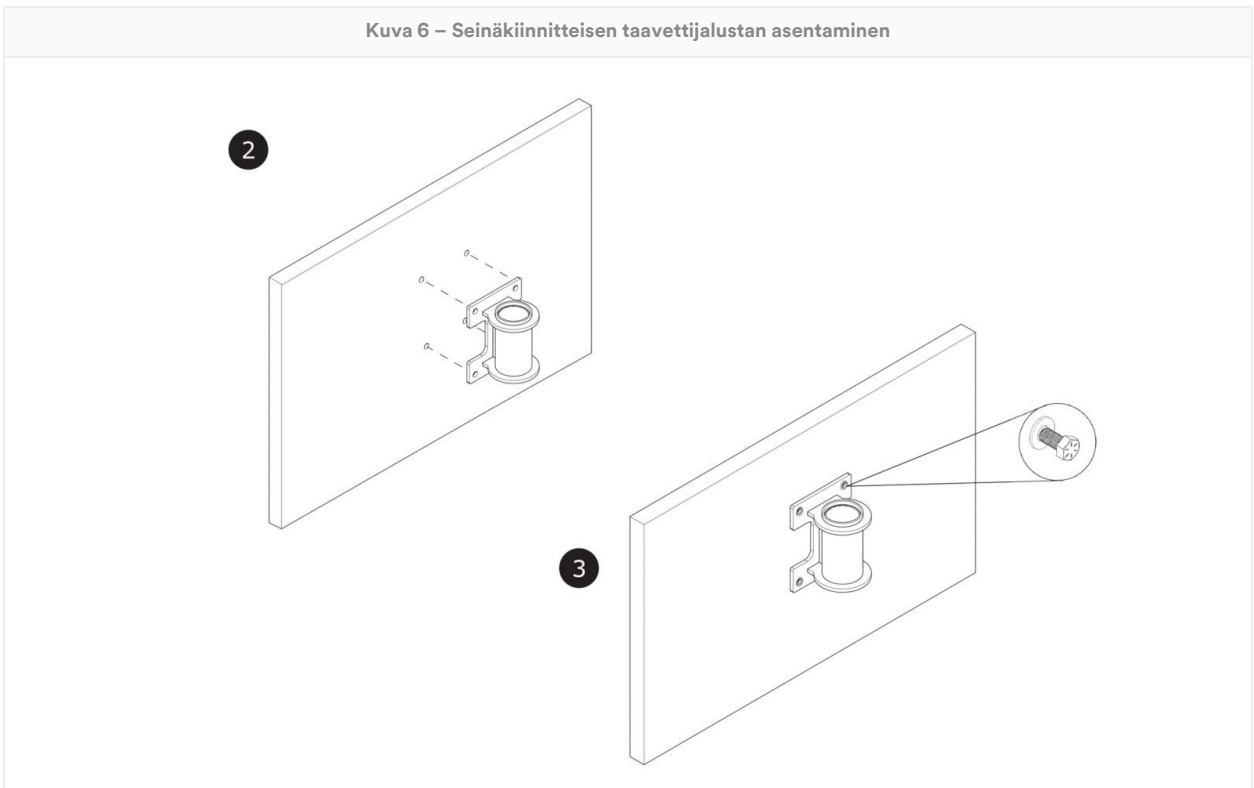
Taavettijalusta on asennettava tasaiselle, pystysuoralle pinnalle.

2. **Aseta taavettijalusta paikalleen.** Kohdista kiinnityslevyn reiät porattuihin reikiin. Taavettijalustan asento saa poiketa enintään 1 asteen pystysuorasta.
3. **Kiinnitä taavettijalusta.** Kiinnitä taavettijalusta valituilla kiinnikkeillä kiinnikkeen valmistajan ohjeiden mukaisesti.

Kuva 6 – Seinäkiinnitteisen taavettijalustan asentaminen



Kuva 6 – Seinäkiinnitteisen taavettijalustan asentaminen



3.4 Taavetin kiinnittäminen: Kun taavettijalusta on asennettu, käyttäjä voi kiinnittää taavettivarren tai -maston jalustaan. Taavetti tulee kiinnittää kiinnitystankoon tai taavettijalustan suojuksen sisäpuolelle sen mukaan, mitä taavettijalustaa käytetään. Varmista, että taavetti on kunnolla kiinni ja että ohjaimia tai lukitustappeja käytetään oikein. Katso lisätietoja taavetin tai taavettijärjestelmän valmistajan toimittamista ohjeista.

4.0 Käyttö

4.1 Ennen jokaista käyttökertaa: Varmista, että työalue ja putoamissuojajärjestelmä täyttävät näissä ohjeissa esitetyt vaatimukset. Varmista, että käytössä on pelastussuunnitelma. Tarkasta tuote tarkastus- ja kunnossapitolokissa lueteltujen ”käyttäjän” tarkastuspisteiden mukaisesti. Jos tuote todetaan tarkastuksessa turvallisuudelle vaaralliseksi tai vialliseksi tai jos sen käyttöturvallisuudesta ei voida olla täysin varmoja, tuote on poistettava käytöstä välittömästi. Merkitse tuotteeseen selkeästi ”EI SAA KÄYTTÄÄ”. Lisätietoja on osassa 5.

4.2 Ankkurointi: Kaikissa putoamissuojajärjestelmissä tulee tuotteen käyttökapasiteetin lisäksi ottaa huomioon tukirakenteiden ja muiden käytettävien osien vahvuudet.

1. **Ankkurointirakenne:** Tämän tuotteen ankkurointirakenteen on kestävä kaikki vaaditut kuormitukset putoamissuojajärjestelmän sallimalla tavalla.

Momentikuorma	136 400 in-lb. (15,41 kN*m)
---------------	-----------------------------

2. **Ankkurointikiinnityspisteet:** Tuotteen kanssa käytettävien ankkurointikiinnityspisteiden on kestävä kaikki tuotteen aiheuttama kuormitus.
3. **Kiinnikkeet:** Tuotteen paikoilleen kiinnittävien kiinnikkeiden on oltava riittävän vahvoja, jotta tuote pysyy kiinni käytön aikana. Katso lisätietoja kiinnikkeiden valmistajan toimittamista ohjeista.

Kiinnikkeen ulosvetovoima	35,59 kN (8 000 lbf)
Leikkauslujuus kiinnikettä kohti	22,2 kN (5 000 lbf)

4.3 Putoamisen jälkeen: Jos laite on altistunut putoamisen pysäytys- tai iskuvoimille, poista se välittömästi käytöstä. Merkitse siihen selkeästi ”EI SAA KÄYTTÄÄ”. Lisätietoja on osassa 5.

4.4 Materiaalien käsittely: 3M sallii tämän tuotteen käytön materiaalien käsittelyssä ohjeiden mukaisesti. Paikallisissa asetuksissa tai standardeissa voi olla lisärajoituksia tai ne voivat säännellä putoamissuojainten käyttöä materiaalien käsittelyssä.

⚠ CAUTION:

Tätä tuotetta on käytettävä yhteensopivan taavetin kanssa, jotta sitä voidaan käyttää materiaalien käsittelyssä. Älä koskaan kiinnitä materiaali kuormaa suoraan taavettijalustaan.

Varmista ennen materiaali kuorman kiinnittämistä, että se on valmisteltu kuljetusta varten.

Älä koskaan kiinnitä tätä tuotetta materiaaleihin ja käyttäjiin samanaikaisesti.

Pätevän henkilön on tarkastettava materiaalien käsittelyssä käytetty tuote on tarkastettava ennen tuotteen seuraavaa käyttökertaa. Paikalliset asetukset tai standardit voivat rajoittaa henkilöstön käytön ja materiaalien käsittelyn välistä vaihtamista.

1. **Kiinnitä taavetti.** Kiinnitä taavetti taavettijalustaan käyttöohjeiden mukaisesti.
2. **Kiinnitä kiinnitettävä lisäjärjestelmä taavettiin.** Katso lisätietoja valmistajan toimittamista taavetin ohjeista.
3. **Kiinnitä turvaköysi materiaali kuormaan.** Laske tai nosta materiaali kuormaa tarpeen mukaan.

Materiaalin käsittelykapasiteetti

340 kg (750 lb.)

5.0 Tarkistukset

Kun laite on poistettu käytöstä, sitä ei saa palauttaa käyttöön ennen kuin pätevä henkilö on vahvistanut kirjallisesti, että näin saa tehdä.

5.1 Tarkistusväli: Käyttäjän tulee tarkastaa tuote ennen jokaista käyttökertaa. Tämän lisäksi pätevän henkilön (joku muu kuin käyttäjä itse) tulee tarkastaa se alla määritetyin väliajoin. Laitteiden tiheämpi käyttö ja vaativat olosuhteet saattavat

edellyttää pätevän henkilön suorittamia tarkastuksia useammin. Pätevän henkilön on määritettävä näiden tarkastusten väli työmaan olosuhteiden mukaan.

Sovellettava standardi tai alue	Pätevien henkilöiden vaadittu tarkastusväli
ANSI ja OSHA	Kerran vuodessa
EN-standardit	Kerran vuodessa
AS/NZS	Kerran vuodessa

5.2 Tarkastustoimenpiteet: Tarkasta tämä tuote tarkastus- ja kunnossapitolokissa lueteltujen toimenpiteiden mukaisesti. Tuotteen omistajan täytyy säilyttää jokaisen tarkastuksen asiakirjat. Tarkastus- ja kunnossapitoloki tulee sijoittaa tuotteen lähelle tai sen tulee olla muulla tavalla helposti käyttäjän saatavilla. On suositeltavaa, että tuotteeseen merkitään seuraavan tai edellisen tarkastuksen päivämäärä.

5.3 Viat: Jos tuotetta ei voida palauttaa käyttöön vian tai vaarallisuuden vuoksi, se on hävitettävä tai lähetettävä 3M:lle tai 3M:n valtuuttamaan huoltokeskukseen korjattavaksi.

5.4 Tuotteen käyttöikä: Toiminnallinen ikä määräytyy työolosuhteiden ja huollon mukaan. Tuotetta voidaan käyttää niin kauan kuin se läpäisee tarkastuskriteerit.

6.0 Kunnossapito, säilytys ja korjaus

Laitteet, jotka vaativat huoltoa tai joille on tehtävä suunniteltu huolto, on varustettava merkinnällä ”EI SAA KÄYTTÄÄ”. Näitä merkintöjä ei saa poistaa, ennen kuin huolto on suoritettu.

6.1 Puhdistus: Järjestelmän metalliosat tulee puhdistaa säännöllisesti lämpimällä vedellä ja miedolla saippualliuoksella. Huuhtele tuote puhtaalla vedellä ja anna sen sitten kuivua. Lisätietoja on verkkosivustomme teknisessä tiedotteessa: <https://www.3M.com/FallProtection/Mechanical-Device-Cleaning>

6.2 Korjaus: Vain 3M tai 3M:n kirjallisesti valtuuttamat tahot saavat tehdä korjauksia tähän laitteeseen.

6.3 Säilytys ja kuljetus: Säilytä tuote viileässä, kuivassa ja puhtaassa tilassa suoralta auringonvalolta suojattuna. Myös kuljetuksen tulee tapahtua samanlaisissa olosuhteissa. Vältä alueita, joilla saattaa esiintyä kemiallisia höyryjä. Tarkasta osat huolellisesti pitkän säilytysajan jälkeen.

Pysyvästi asennettuja jalustoja ei saa siirtää pois työkohteesta. Muita osia voidaan irrottaa kyseisistä jalustoista varastointia tai kuljetusta varten, mutta järjestelmän käyttö edellyttää niiden jalustaan asentamista.

⚠️WARNING:

Äkilliset siirtymät lämpimän ja erittäin kylmän ympäristön välillä voivat vaikuttaa laitteen suorituskykyyn. Mekaaniset laitteet (kuten itsestään kelautuvat laitteet, vinssit, nostolaitteet, turvasuojukset jne.) tulee mukauttaa käytettäväksi äärimmäisessä kylmyydessä tai kuumuudessa säilyttämällä niitä työympäristön kaltaisissa lämpötiloissa. Tarkasta laite aina työympäristössä ennen sen käyttöä.

7.0 Tarrat ja merkinnät

7.1 Yhteenveto: Tuotetarroja esittelevässä kuvassa on havainnollistettu tuotteessa olevat etiketit ja merkinnät. Seuraavassa on yhteenveto kunkin etiketin ja merkinnän tarkoittamista tiedoista.

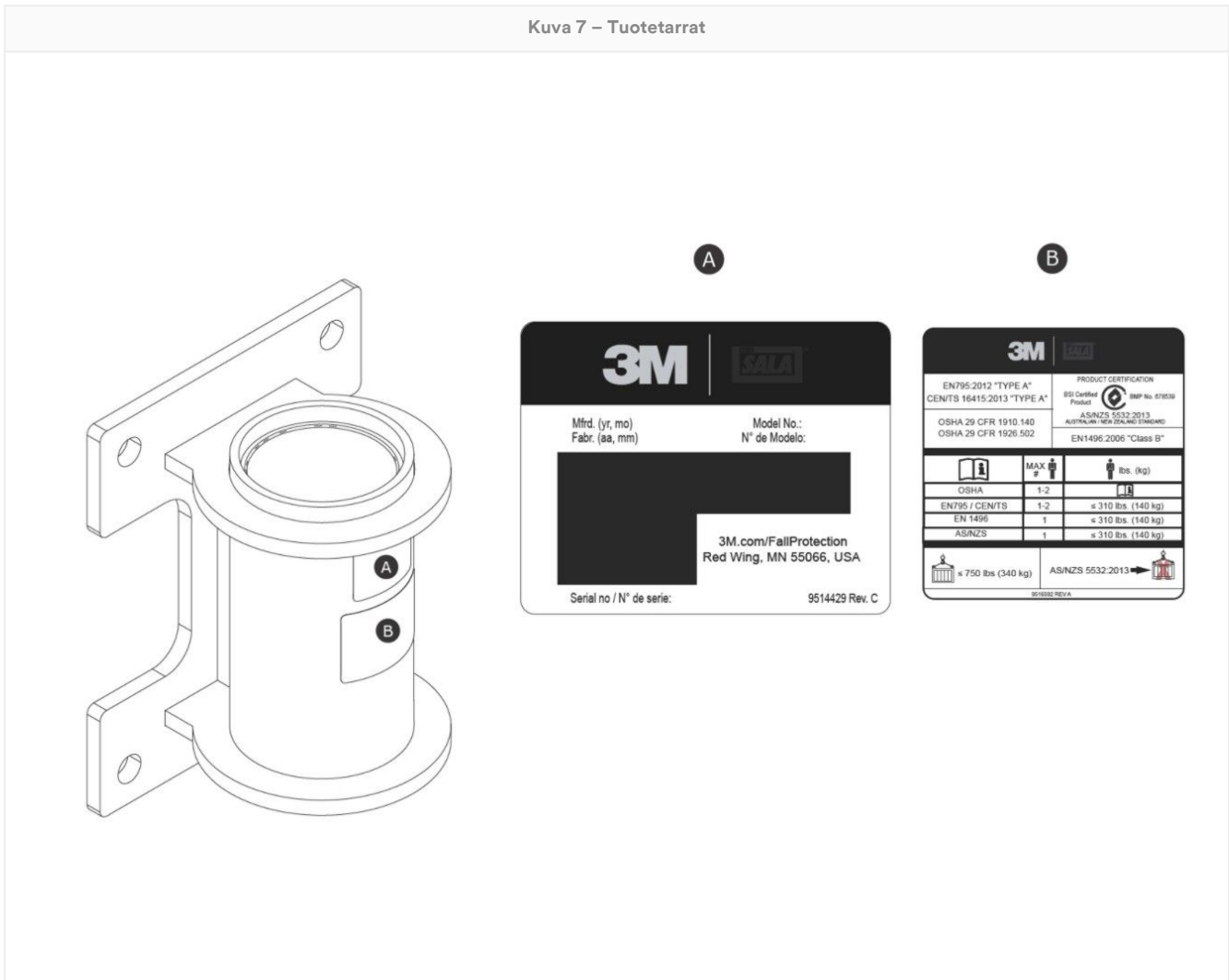
NOTICE:

Etikettikuvien on tarkoitus olla edustavia. Katso tarkat tiedot tuote-etikeiteistä.

Puuttuvat tai vaurioituneet tarrat on vaihdettava uusiin. Kaikkien tarramerkintöjen tulee olla täysin luettavissa.

A	Tuotteen teknisten tietojen tarra
B	Tunniste

Kuva 7 – Tuotetarrat



Sanasto

Määritelmät: Näissä ohjeissa käytetään seuraavia termejä ja määritelmiä:

Kattava luettelo termeistä ja määritelmistä löytyy verkkosivustoltamme: www.3m.com/FallProtection/ifu-glossary

- **Valtuutettu henkilö:** Työnantajan määräämä henkilö, joka suorittaa tehtäviä sellaisessa paikassa, jossa henkilöt altistuvat putoamisvaaralle.

- **Pätevä henkilö:** Henkilö, joka pystyy tunnistamaan olemassa olevat ja ennustettavat vaaratekijät ympäristössä tai riskialttiit, epähygieeniset tai työntekijöille vaaralliset työolosuhteet ja jolla on valtuudet ryhtyä toimiin niiden poistamiseksi.
- **Putoamissuojausjärjestelmä:** Putoamissuojainten yhdistelmä, joka on suunniteltu suojaamaan käyttäjää putoamistapauksessa.
- **Pätevöitynyt henkilö:** Henkilö, jolla on hyväksytty tutkinto, sertifikaatti tai ammatilliset edellytykset tai joka on laajan tietämyksen, koulutuksen ja kokemuksen kautta osoittanut kykynsä ratkaista tai korjata putoamissuojaukseen ja pelastusjärjestelmiin liittyviä ongelmia asianmukaisen kansallisen, alueellisen tai paikallisen viranomaisen edellyttämällä tasolla.
- **Pelastusjärjestelmä:** Putoamissuojainten yhdistelmä, joka on suunniteltu siirtämään vaarassa oleva henkilö turvalliseen paikkaan. Vapaata putoamista ei sallita.
- **Pelastaja:** Henkilö, joka suorittaa avustetun pelastuksen käyttäen pelastusjärjestelmää.
- **Rajoittava järjestelmä:** Putoamissuojainten yhdistelmä, joka on suunniteltu ehkäisemään käyttäjän putoamisvaaran syntymistä. Vapaata putoamista ei sallita.
- **Käyttäjä:** Henkilö, joka käyttää tehtävien suorittamisen aikana putoamissuojausjärjestelmää.
- **Työasemointijärjestelmä:** Putoamissuojaimista koostuva kokonaisuus, joka on suunniteltu tukemaan työntekijää työskentelyn aikana.

Tarkastus- ja kunnossapitoloki

Jokaisessa tarkastuksessa on käytettävä kopiota tästä taulukosta. Kirjaa tiedot alle.

Valmistaja: 3M Fall Protection

Mallinumero (sarjanumero):

Ostopäivämäärä:

Ensimmäisen käyttökerran päivämäärä:

Käyttäjän tulee tarkastaa tämä tuote ennen jokaista käyttöä. Lisäksi muun pätevän henkilön kuin tämän laitteen käyttäjän on tarkastettava laite osassa 5 määritellyin väliajoin.

Osa	Tarkastustoimenpiteet	Tarkastuksen tulos (hyväksytty tai hylätty)
Tuote (kuva 2)	Tarkasta taavettijalusta vaurioiden, vääntymien, syöpymien ja ruosteen varalta. Etsi halkeamia, taipumia, lommoja tai kulumista, jotka voivat vaikuttaa järjestelmän kestävyYTEEN ja toimintaan. Kun teet syöpymätarkastusta, tarkasta myös ankkurilaite, sen kiinnitykset tai kiinnittimet sekä rakenne, johon ankkurilaite on kiinnitetty.	
	Tarkasta, etteivät kiinnikkeet ole vaurioituneet tai syöpyneet. Kiristä tarpeen mukaan.	
	Tarkasta, ettei missään liikkuvissa osissa ole halkeamia, murtumia tai kuluneita kohtia, jotka saattaisivat aiheuttaa toimintahäiriöitä järjestelmän käytön aikana.	
Tarrat	Kaikkien tarrojen tulee olla kiinnitetty hyvin ja täysin luettavissa.	
Putoamissuojaimet	Tuotteen kanssa käytettävät ylimääräiset putoamissuojauslaitteet on asennettava ja tarkastettava valmistajan ohjeiden mukaisesti. Varmista, että kunkin tuotteen lujuusluokitus on yhteensopiva ja riittävä tarkoitettuun käyttökohteeseen.	

Yhteenveto tuotetarkastuksesta

Jos tuote ei läpäise tarkastusmenettelyä, tuote epäonnistuu kokonaistarkastuksessa. Jos tuote ei läpäise tarkastusta, poista se käytöstä välittömästi. Merkitse tuotteeseen selkeästi "EI SAA KÄYTTÄÄ". Lisätietoja on osassa 5.

Tarkastustyyppi:

Käyttäjä

Pätevä henkilö

Tarkastuksen kokonaistulos:

Tarkastanut:

Tarkastuspäivämäärä:

Allekirjoitus

Seuraava tarkastus viimeistään:


Lisähuomautukset:

Sertifioinnit

Tuotteesi täyttää ne maa- ja aluekohtaiset standardit, jotka on merkitty näiden ohjeiden etukanteen. Sertifiointi ja vaatimustenmukaisuus voivat rajoittua yksittäisiin tuotemalleihin tai käyttökohteisiin.

Lisätietoja sertifiointi- tai vaatimustenmukaisuusvaatimuksista saat tuotteellesi luetelluista soveltuvista standardeista ja asetuksista.

AS/NZS-standardien mukaisten käyttäjien tulee tutustua AS/NZS 1891.4 -standardiin valintaa, käyttöä, kunnossapitoa ja koulutusta koskevia vaatimuksia varten.

BSI-sertifioitu tuote AS/NZS 5532:2013 Lisenssi: BMP 678539	BSI - Head Office Suite 1, Level 1, 54 Waterloo Road Macquarie Park, NSW, 2113 Australia	
---	--	---

Globaali tuotetakuu, rajoitettu korjaustoimenpide ja vastuunrajoitus

Takuu: Seuraava on laadittu kaikkien suorien tai epäsuorien takuiden tai ehtojen sijaan, mukaan lukien epäsuorat takuut myyntikelpoisuudesta tai sopivuudesta tiettyyn tarkoitukseen.

Ellei muutoin paikallisissa laeissa säädetä, 3M-putoamissuojatuotteilla on yhden vuoden takuu valmistusvirheitä ja materiaalivirheitä koskien asennuspäivästä tai alkuperäisen käyttäjän ensimmäisestä käyttöpäivästä alkaen.

Rajoitettu korjaustoimenpide: Kirjallisella 3M:lle lähetetyllä ilmoituksella 3M korjaa tai vaihtaa kaikki tuotteet, joissa on 3M:n määrittelemä valmistus- tai materiaalivirhe. 3M pidättää oikeuden vaatia tuotetta palautettavaksi tehtaalle takuuvaatimusten arvioimiseksi. Tämä takuu ei kata kulumisesta, tuotteen väärinkäytöstä, kuljetusvahingoista tai tuotteen epäonnistuneesta huollosta aiheutunutta vauriota tai muuta vauriota, johon 3M ei pysty vaikuttamaan. Tuotteen kunnosta ja takuuvaihtoehtoista päätöksen tekee ainoastaan 3M.

Tämä takuu koskee vain alkuperäistä ostajaa, ja sitä sovelletaan ainoastaan 3M:n putoamisenestotuotteisiin. Ota yhteyttä paikalliseen 3M:n asiakaspalveluun saadaksesi apua.

Vastuunrajoitus: Paikallisten lakien sallimissa määrin 3M ei ole vastuussa mistään epäsuorasta, sattumanvaraisesta, erityisestä tai aiheutuneesta vahingosta, mukaan lukien, mutta siihen kuitenkin rajoittumatta, tuottojen menettäminen, millään tavalla tuotteisiin liittyen oikeusteoriasta huolimatta.

3M™ DBI-SALA® Base de potence à montage mural

Instructions d'utilisation

Numéro de formulaire : 5903663, révision : F

Ce produit est certifié ou conforme aux normes et réglementations suivantes. La certification et la conformité peuvent être limitées à des modèles de produits ou à des applications individuels. Pour plus d'informations, consultez la section *Certifications*.

- OSHA 29 CFR 1910.140, 1926.502
- EN 795:2012 (Type A)
- CEN/TS 16415:2013 (Type A)
- EN 1496:2006 (Clause 4.6)
- AS/NZS 5532:2013

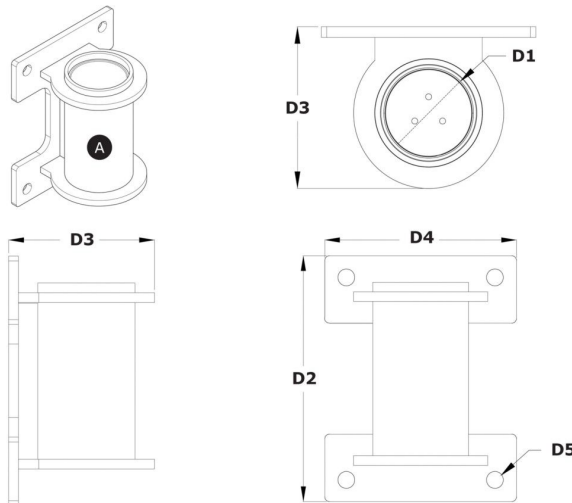
⚠WARNING:

Pour l'identification des codes de produit, reportez-vous aux tableaux des spécifications des produits. Pour plus d'informations, consultez la Présentation du produit.

Certains composants peuvent ne pas être certifiés individuellement et peuvent nécessiter un assemblage pour répondre aux exigences de certification.

Figure 1 : Aperçu du produit

Modèle	Style	D1	D2	D3	D4	D5	Poids du produit
8000101	A	10,2 cm (4,0 po)	32,4 cm (12,75 po)	19,0 cm (7,5 po)	25,4 cm (10,0 po)	22,2 mm (0,88 po)	15,7 kg (34,0 lb)
8000102	A	10,2 cm (4,0 po)	32,4 cm (12,75 po)	19,0 cm (7,5 po)	25,4 cm (10,0 po)	22,2 mm (0,88 po)	15,7 kg (34,0 lb)



Consignes de sécurité

Veillez lire, comprendre et suivre toutes les consignes de sécurité contenues dans les présentes instructions avant d'utiliser ce produit. LE NON-RESPECT DE CES INSTRUCTIONS POURRAIT ENTRAÎNER DES BLESSURES GRAVES OU MORTELLES.

Ces instructions doivent être transmises à l'utilisateur de l'équipement. Veuillez conserver ces instructions pour toute référence ultérieure.

Consignes de sécurité

Formulaire : 5908277, Révision : B

Utilisation prévue

Ce produit est utilisé dans le cadre d'un système antichute complet.

Toute utilisation pour d'autres applications y compris, mais sans s'y limiter, la manutention non approuvée de matériaux, des activités de loisirs ou sportives, ou d'autres activités non décrites dans les présentes instructions, n'est pas approuvée par 3M et pourrait entraîner des blessures graves ou mortelles.

Ce produit ne doit être utilisé que par des utilisateurs formés pour des applications sur le lieu de travail.

Avertissement

Ce produit est utilisé dans le cadre d'un système antichute complet.

Tous les utilisateurs doivent être parfaitement formés à l'installation et au fonctionnement sécurisés de l'ensemble du système antichute. Une mauvaise utilisation de ce produit peut entraîner des blessures graves ou mortelles. Pour ne faire aucune erreur dans la sélection, le fonctionnement, l'installation, la maintenance et l'entretien, suivez l'ensemble des manuels d'instructions et des recommandations du fabricant. Pour en savoir plus, consultez votre superviseur ou contactez le service technique 3M.

- **Pour réduire les risques associés à l'utilisation d'un système d'accès à un espace confiné/dispositif de sauvetage qui, s'ils ne sont pas évités, pourraient entraîner des blessures graves ou mortelles :**
 - Inspectez le produit avant chaque utilisation et après chaque chute, conformément aux procédures spécifiées dans les présentes instructions.
 - Si l'inspection révèle un état dangereux ou défectueux, mettez immédiatement le produit hors service et indiquez clairement « NE PAS UTILISER ». Détruisez ou réparez le produit comme indiqué dans les présentes instructions.
 - Si le produit a été soumis à des forces d'arrêt de chute ou d'impact, il doit être immédiatement mis hors service. Détruisez ou réparez le produit comme indiqué dans les présentes instructions.
 - Assurez-vous que les systèmes antichute assemblés avec des composants provenant de divers fabricants sont compatibles et respectent l'ensemble des règlements, des normes et des exigences applicables en matière de protection antichute. Consultez systématiquement une personne compétente ou qualifiée avant d'utiliser ces systèmes.
 - Le produit ne doit être installé que tel que décrit dans les manuels d'instructions associés. Les installations et utilisations non conformes à ces manuels d'instructions doivent être approuvées en contactant 3M par écrit.
 - Ne reliez que les sous-systèmes de protection antichute au point de connexion d'ancrage désigné sur le système.
 - Avant l'installation, assurez-vous que les méthodes d'installation et le produit n'interfèrent avec aucune ligne électrique, aucune conduite de gaz ni aucun matériau ou système critiques.
 - Assurez-vous que le produit est configuré et installé correctement pour un fonctionnement sécuritaire, comme décrit dans les présentes instructions.
 - Ne tordez pas, n'attachez pas et ne nouez pas la ligne de vie et ne lui donnez pas de mou.
 - Ne dépassez pas le nombre d'utilisateurs autorisés spécifié dans les présentes instructions.
 - Faites preuve de vigilance au cours de l'installation, de l'utilisation et du déplacement du produit, car les pièces mobiles peuvent créer des points de pincement.
 - Les procédures de verrouillage et d'étiquetage doivent être suivies le cas échéant.
 - Ne vous connectez pas au système pendant qu'il est transporté ou installé.
- **Pour réduire les risques associés au travail en hauteur qui, en l'absence de protection, pourraient entraîner des blessures graves ou mortelles :**
 - Votre santé et votre condition physique doivent vous permettre de travailler en hauteur en toute sécurité et de résister à toutes les forces associées à une chute. Consultez un médecin si vous avez des questions concernant votre aptitude à utiliser cet équipement.
 - Ne dépassez jamais les limites autorisées pour votre équipement antichute.
 - Ne dépassez jamais la distance de chute libre maximale spécifiée pour votre équipement antichute.
 - N'utilisez aucun équipement antichute qui n'a pas satisfait aux inspections, ou si vous avez des préoccupations concernant l'utilisation ou la compatibilité de l'équipement. Contactez les services clientèle de 3M si vous avez des questions.
 - Certaines combinaisons de sous-systèmes et de composants peuvent gêner le fonctionnement de cet équipement. N'utilisez que des raccordements compatibles. Contactez le service clientèle 3M avant d'utiliser cet équipement conjointement avec des composants ou des sous-systèmes autres que ceux décrits dans les présentes instructions.
 - Soyez particulièrement vigilant lorsque vous travaillez autour des machines en mouvement, en cas de risques électriques, de températures extrêmes, de risques chimiques, de gaz explosifs ou toxiques, d'arêtes vives et de surfaces abrasives ; ainsi que lorsque vous êtes situé sous des matériaux suspendus pouvant chuter sur vous ou sur l'équipement.
 - Assurez-vous que votre produit est conçu pour les dangers présents dans votre environnement de travail.
 - Vérifiez que vous disposez d'une distance d'arrêt adaptée lorsque vous travaillez en hauteur.
 - Ne modifiez ni n'altérez jamais votre équipement antichute. Seules la société 3M ou les personnes autorisées par écrit par 3M peuvent réparer l'équipement 3M.
 - Avant l'utilisation d'un équipement antichute, vérifiez qu'un plan de sauvetage écrit est mis en place pour assurer un sauvetage rapide si une chute se produit.
 - En cas de chute, faites immédiatement intervenir un médecin auprès du travailleur qui est tombé.
 - Utilisez uniquement un harnais intégral de sécurité pour les applications antichute. N'utilisez pas de ceinture de travail.
 - Réduisez le risque d'effets pendulaires en travaillant autant que possible directement sous le point d'ancrage.
 - Vous devez utiliser un système antichute secondaire lors de la formation à l'utilisation de ce produit. Les personnes formées ne doivent pas être exposées à un risque de chute involontaire.
 - Portez toujours un équipement de protection individuelle approprié lors de l'installation, de l'utilisation et de l'examen du produit.
 - Ne travaillez jamais en dessous d'une charge ou d'un ouvrier suspendu.
 - Maintenez toujours une connexion à 100 %.

Aperçu du produit

Assurez-vous toujours que vous utilisez la dernière version de votre manuel d'utilisation 3M. Visitez www.3m.com/userinstructions ou contactez le service client de 3M pour obtenir les manuels d'instructions mis à jour.

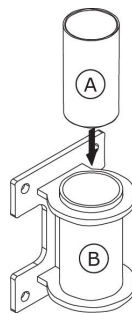
Avant d'utiliser cet équipement, consigner les informations sur les produits indiquées sur l'étiquette d'identification dans le « Journal d'inspection et d'entretien » qui se trouve au dos du présent manuel.

La Figure 1 présente les modèles de produits disponibles. Les bases de potence servent de partie du système de potence qui aide à le fixer au sol. La potence est fixée à la base tout en agissant comme un point d'ancrage réglable et mobile pour l'utilisateur. Consultez les instructions du fabricant de la potence ou du système de potence compatible pour plus d'informations sur les applications du système.

La Figure 2 identifie les éléments clés des modèles de produits disponibles. La base de potence est composée de deux pièces : une doublure (A) et un manchon de potence (B). La garniture permet à une potence sécurisée de tourner librement à l'intérieur du manchon de potence. Le manchon comprend une plaque de montage jointe pour fixer la base de potence à une structure.

Chaque modèle de produit a des spécifications qui lui sont propres, comme indiqué dans la Figure 1. Pour plus d'informations, reportez-vous aux tableaux sur les spécifications des produits.

Figure 2 - Composants



Tableaux de spécification des produits

Caractéristiques du système

Capacité de l'utilisateur :	Consultez les instructions du fabricant pour les modèles de potence compatibles pour plus d'informations sur la capacité du système.
Normes :	Chaque modèle de produit est certifié ou conforme aux normes et réglementations en vigueur répertoriées dans la Figure 1. Si aucune norme n'est spécifiée, toutes les normes et réglementations figurant sur la couverture s'appliquent.

Spécifications des composants

Référence de la figure 2	Composant	Matériaux
A	Revêtement	Polyéthylène haute densité
B	Manchon de potence	8000101: Acier au carbone galvanisé
		8000102: Acier inoxydable

1.0 Application du produit

1.1 Objectif : les systèmes de potence servent de structures d'ancrage mobiles pour les systèmes de protection antichute. L'assemblage et les composants varient en fonction du système. Pour plus d'informations sur les applications système, reportez-vous à la section « Présentation du produit » et aux sections relatives à l'installation ou à l'utilisation.

1.2 Supervision : l'utilisation de cet équipement doit être supervisée par une personne compétente. L'installation de cet équipement doit être supervisée par une personne compétente. Une personne qualifiée doit vérifier que l'installation est conforme aux réglementations locales et fédérales. Les fixations et le positionnement de la base de potence doivent également être approuvés par une personne qualifiée.

1.3 Revente et distribution : Si ce produit est revendu en dehors du pays de destination d'origine, le revendeur doit fournir ces instructions dans la langue du pays où il sera utilisé.

1.4 Formation : cet équipement doit être installé et utilisé par des personnes formées à cet effet. Ces instructions doivent être utilisées dans le cadre du programme de formation des employés, comme requis par les normes nationales, régionales ou locales en vigueur. Il relève de la responsabilité des utilisateurs et des installateurs de cet équipement de s'assurer qu'ils se sont familiarisés avec ces instructions, qu'ils ont été formés à l'entretien et à l'utilisation corrects du matériel et qu'ils ont connaissance des caractéristiques de fonctionnement, des limites d'application et des conséquences d'une mauvaise utilisation.

1.5 Plan de sauvetage : Avant d'utiliser cet équipement et de connecter les sous-dispositifs, l'employeur devra disposer d'un plan de sauvetage rédigé et de moyens disponibles permettant sa mise en œuvre et le communiquer aux utilisateurs, aux personnes agréées et aux sauveteurs. Il est recommandé de mettre en place une équipe de sauvetage sur site adéquatement formée. Il conviendra de mettre à la disposition des membres de l'équipe l'équipement et les moyens techniques nécessaires à la bonne exécution d'une opération de sauvetage. La formation devra être dispensée sur une base régulière afin de garantir le niveau de compétence des sauveteurs. Les sauveteurs doivent recevoir les présentes instructions. Maintenir un contact visuel ou des moyens de communication avec la victime tout au long du sauvetage.

2.0 Caractéristiques du système

2.1 Ancrage : la structure d'ancrage fixant ce produit doit être capable de résister à toutes les charges requises, comme le permet son système de protection contre les chutes. Pour plus d'informations, reportez-vous à la Section 4.

2.2 Capacité : la capacité d'utilisateurs d'un système antichute complet est limitée au niveau de son composant à la capacité maximale la plus faible. Par exemple, si votre sous-dispositif d'amarrage a une capacité inférieure à celle de votre harnais, vous devez respecter les exigences de capacité de votre sous-dispositif d'amarrage. Consultez les instructions du fabricant de chaque composant de votre système pour connaître les exigences en matière de capacité.

2.3 Risques liés à l'environnement de travail : l'utilisation de cet équipement dans des zones à risque environnemental peut nécessiter des précautions supplémentaires pour éviter tout risque de blessures corporelles de l'utilisateur ou de dommages matériels. Les risques peuvent notamment comprendre : la chaleur, les produits chimiques, les environnements corrosifs, les lignes à haute tension, les gaz explosifs ou toxiques, les engins en mouvement, les arêtes vives ou les objets en hauteur pouvant tomber et entrer en contact avec l'utilisateur ou l'équipement. Contactez le service client de 3M pour davantage de précisions.

2.4 Dangers relatifs à la ligne de vie : Veillez à ce que la ligne de vie soit maintenue à l'abri de tous les dangers, y compris, mais sans s'y limiter : l'enchevêtrement avec des utilisateurs, d'autres travailleurs, des machines en mouvement et d'autres objets environnants, ou l'impact d'objets en hauteur pouvant tomber sur la ligne de vie ou des utilisateurs.

2.5 Compatibilité des composants : l'équipement 3M est conçu pour être utilisé avec l'équipement 3M. L'utilisation avec des équipements autres que 3M doit être approuvée par une personne compétente. Les substitutions effectuées avec un équipement non approuvé peuvent compromettre la compatibilité de l'équipement et peuvent affecter la sécurité et la fiabilité de votre système de protection contre les chutes. Lisez et suivez toutes les instructions et tous les avertissements pour tous les équipements avant de les utiliser.

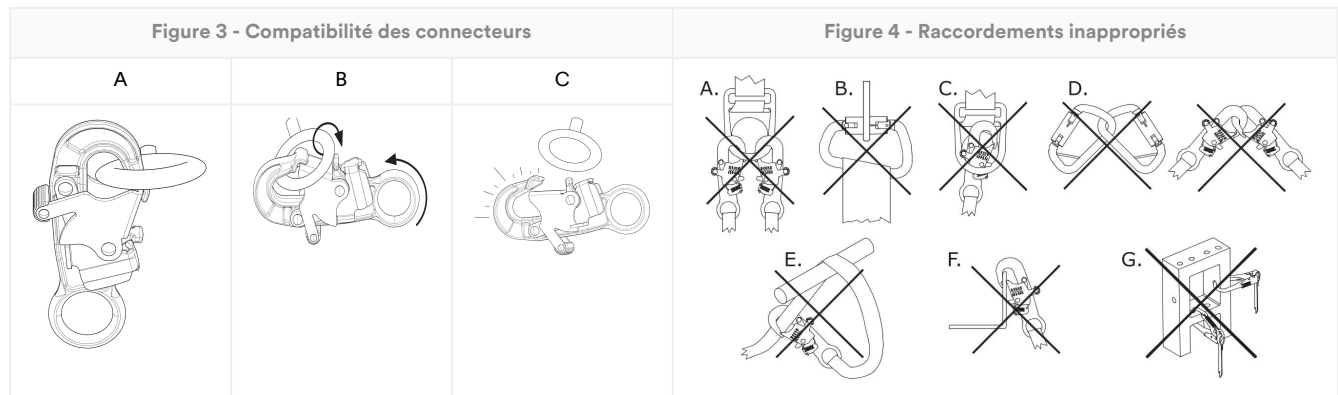
2.6 Compatibilité des connecteurs : Les connecteurs sont compatibles avec les éléments de connexion lorsque la taille et la forme de l'un ou l'autre des composants ne provoquent pas l'ouverture involontaire du connecteur, quelle que soit son orientation. Les connecteurs doivent être conformes aux normes applicables. Les connecteurs doivent être entièrement fermés et verrouillés pendant l'utilisation.

Les connecteurs 3M (crochets-mousquetons et mousquetons) sont destinés à être utilisés uniquement selon le manuel d'instructions. Assurez-vous que les connecteurs sont compatibles avec les composants du système auxquels ils sont raccordés. N'utilisez pas un équipement qui ne serait pas compatible. L'utilisation de composants non compatibles peut entraîner le désengagement involontaire du connecteur. Voir Figure à titre de référence. Si l'élément de raccordement est doté d'un connecteur trop petit ou de forme irrégulière, il se peut que l'élément de raccordement applique une force sur le

mécanisme d'ouverture du connecteur (A). Cette force peut alors provoquer l'ouverture de la porte (B), ce qui désengage le connecteur de l'élément de connexion (C).

2.7 Raccordement : Tous les connecteurs doivent être compatibles par leur taille, leur forme et leur résistance. Voir la Figure pour quelques exemples de raccords inappropriés. Ne fixez pas les crochets-mousquetons et les mousquetons :

1. à un anneau d'accrochage auquel un autre connecteur est attaché.
2. d'une manière qui provoquerait une charge sur l'ouverture. Les crochets à pression à grande ouverture ne doivent pas être raccordés à des anneaux en D ou à d'autres éléments de raccordement, sauf si le crochet à pression présente une force de serrage de 16 kN (3 600 lbf) ou plus.
3. Dans un faux raccord, lorsque la taille ou la forme du connecteur ou de l'élément de raccordement n'est pas compatible et, sans confirmation visuelle, semblerait être complètement engagé.
4. L'un à l'autre.
5. Directement à la sangle du harnais, au matériau de la jambe de longe ou au matériau d'attache, à moins qu'une telle connexion ne soit explicitement autorisée par les instructions du fabricant.
6. À tout objet dont la taille ou la forme ne permet pas au connecteur de se fermer et de se verrouiller complètement, ou qui pourrait provoquer le déroulement du connecteur.
7. D'une manière qui ne permet pas le bon alignement du connecteur lorsqu'il est sous charge.



3.0 Installation

3.1 Aperçu : l'installation d'un système de potence peut être une procédure longue et en plusieurs étapes. Une planification efficace et la connaissance de votre site de travail et de votre équipement sont très utiles pour que ce processus se déroule de la manière la plus harmonieuse possible.

3.2 Planification : planifiez le système de protection antichute avant de commencer à travailler. Prendre en compte tous les facteurs qui pourraient affecter la sécurité avant, pendant et après une chute. Tenir compte de toutes les exigences et limitations spécifiées dans ces instructions.

1. **Arêtes vives :** cet équipement ne doit pas être utilisé si des composants du système frottent ou entrent en contact avec des arêtes vives non protégées et des surfaces abrasives. Toutes les arêtes tranchantes et les surfaces abrasives doivent être recouvertes d'un matériau de protection.
2. **Compatibilité :** lors de l'installation de votre système, il est important d'utiliser des composants compatibles. Chaque modèle de produit est uniquement compatible avec un assemblage spécifique de modèles ou conceptions de produits.

La base de potence peut également recevoir des extensions de mât de potence compatibles avec les potences répertoriées.

Modèles de potence compatibles	Mode d'emploi de la potence
8000107	5908417
8000108	5908417
8000130	5908364
8000131	5908364

3.3 Installation de la base de potence : Installez la base de potence selon les instructions fournies pour le modèle de votre produit.

La surface de la structure d'ancrage doit être débarrassée de tout débris avant l'installation de la base du potence.

A. Base de potence à montage mural : La base de la potence doit être préparée avant utilisation.

1. **Préparez l'emplacement.** Sélectionnez une surface de montage appropriée pour installer la base de potence, puis déterminez où la base doit être installée. Il doit y avoir suffisamment de recul par rapport au bord (A) et à l'épaisseur du matériau (B) pour répondre aux exigences de résistance de votre structure et de votre système. Marquer puis percer tous les trous de montage au diamètre et à la profondeur recommandés par le fabricant des fixations.

La base de potence doit être installée sur une surface plane et verticale.

2. **Positionnez la base de potence.** Alignez les trous de la plaque de montage avec les trous percés. La base de potence doit être positionnée à plus ou moins 1 degré de la verticale.
3. **Fixez la base de potence.** Fixez la base de potence à l'aide des attaches sélectionnées, comme spécifié dans les instructions du fabricant de l'attache.

Figure 6 : installation de la base de potence à montage mural

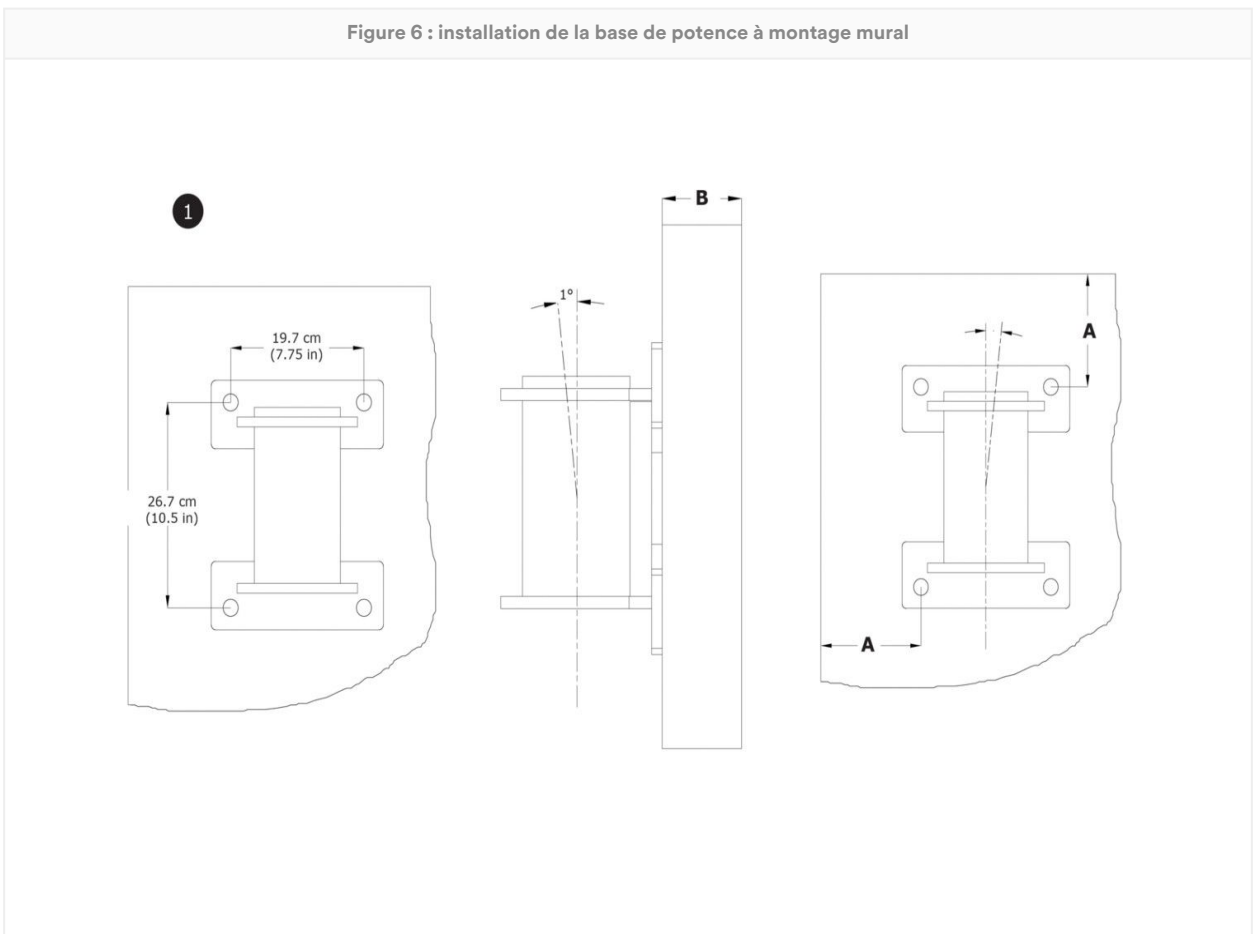
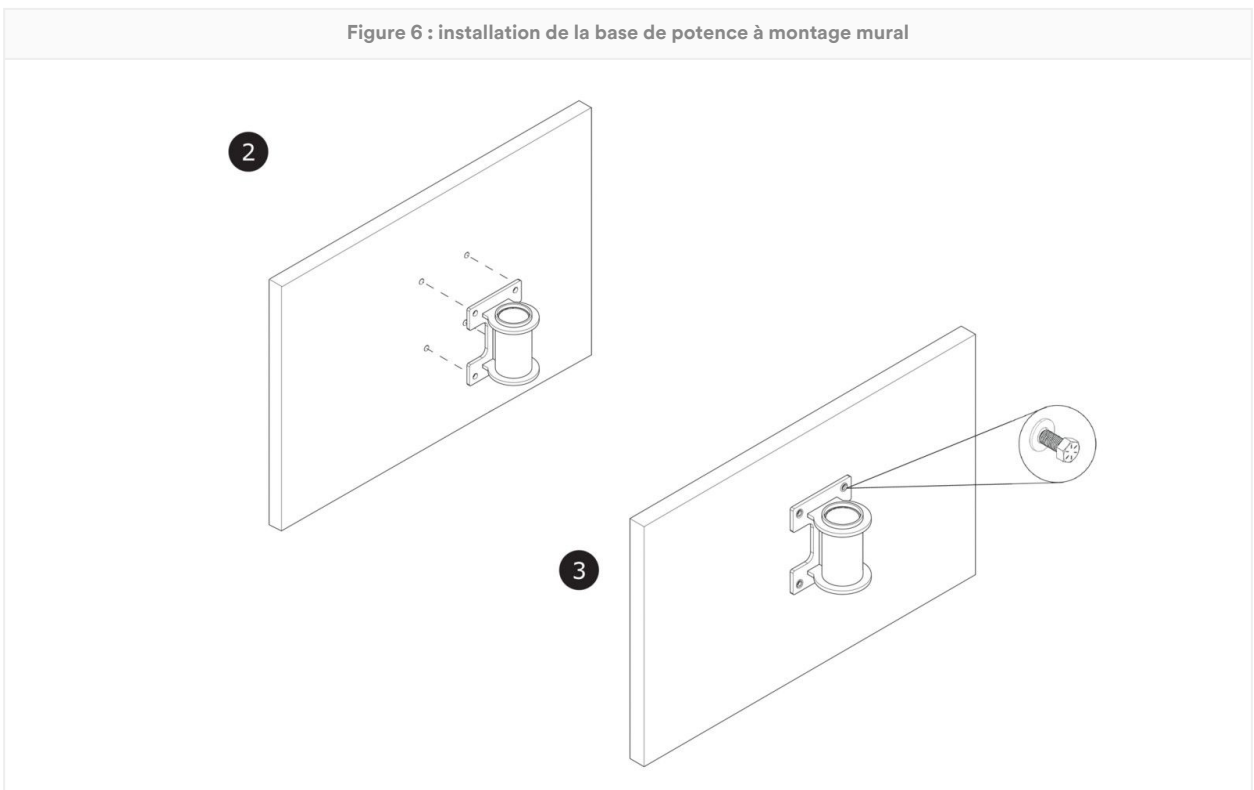


Figure 6 : installation de la base de potence à montage mural



3.4 Fixation de la potence : Une fois la base de potence installée, l'utilisateur peut fixer le bras ou le mât de potence à la base. La potence doit être fixée au poteau de montage ou à l'intérieur du manchon de la base de potence, selon le cas pour la base de potence que vous utilisez. Vérifiez que la potence est bien fixée et que les guides ou les goupilles de verrouillage sont utilisés de manière appropriée. Pour plus d'informations, consultez les instructions du fabricant de votre potence ou de votre système de potence.

4.0 Utilisation

4.1 Avant chaque utilisation : vérifiez que votre zone de travail et votre système de protection antichute répondent à tous les critères définis dans les présentes instructions. Vérifiez qu'un plan de sauvetage officiel est en place. Inspectez le produit conformément aux consignes d'inspection « Utilisateur » figurant dans le « Journal d'inspection et d'entretien ». Si l'inspection révèle la présence de conditions dangereuses ou défectueuses, ou s'il y a un doute quant à son état pour permettre une utilisation en toute sécurité, mettez immédiatement le produit hors service. Indiquez clairement « NE PAS UTILISER » sur le produit. Pour plus d'informations, reportez-vous à la Section 5.

4.2 Ancrage : en plus de la capacité du produit, tout système de protection antichute doit prendre en compte les forces de toute structure ou composant de support.

1. **Structure d'ancrage :** La structure d'ancrage fixant ce produit doit être capable de résister à toutes les charges requises, comme le permet le système de protection antichute de ce produit.

Moment de charge	136 400 po-livre (15,41 kN*m)
------------------	-------------------------------

2. **Points de connexion de l'ancrage :** les points de connexion de l'ancrage utilisés avec le produit doivent être capables de résister à toutes les charges appliquées par le produit.
3. **Attaches :** Toutes les fixations qui maintiennent le produit en place doivent être suffisamment solides pour maintenir le produit en place pendant l'utilisation. Consultez les instructions du fabricant de vos fixations pour plus d'informations.

Force de traction des fixations	35,59 kN (8 000 lbf)
Résistance au cisaillement par fixation	5 000 lbf (22,2 kN)

4.3 Après une chute : Si cet équipement est soumis à une force antichute ou d'impact, il doit être immédiatement mis hors service. Indiquez clairement « NE PAS UTILISER ». Pour plus d'informations, reportez-vous à la Section 5.

4.4 Manipulation des matériaux : 3M permet l'utilisation de ce produit pour la manutention des matériaux selon les directives. Les réglementations ou normes locales peuvent comporter des restrictions supplémentaires ou réglementer l'utilisation d'équipements de protection antichute pour la manutention de matériaux.

⚠CAUTION:

Ce produit doit être utilisé avec une potence compatible afin d'être utilisé pour la manutention de matériaux. Ne fixez jamais une charge de matériau directement sur la base de potence.

Avant de fixer votre chargement de matériaux, vérifiez qu'il a été préparé pour le transport.

Ne fixez jamais ce produit aux matériaux et aux utilisateurs simultanément.

Le produit utilisé pour la manutention des matériaux doit être inspecté par une personne compétente avant sa prochaine utilisation. Les réglementations ou normes locales peuvent restreindre le passage entre l'utilisation du personnel et la manutention des matériaux.

1. **Fixez la potence.** Fixez la potence à la base de potence comme spécifié dans ses instructions d'utilisation.
2. **Fixez un sous-système de connexion à la potence.** Consultez les instructions du fabricant de votre potence pour plus d'informations.
3. **Fixez la ligne de vie à votre charge de matériau.** Abaissez ou élevez la charge de matériau si nécessaire.

Capacité de manipulation des matériaux

340 kg (750 lb)

5.0 Inspection

Une fois l'équipement retiré du service, il ne peut pas être remis en marche avant qu'une personne compétente ne confirme par écrit qu'il est permis de le faire.

5.1 Fréquence des inspections : Le produit doit être inspecté avant chaque utilisation par l'utilisateur et, en plus, par une personne compétente autre que l'utilisateur, aux intervalles spécifiés ci-dessous. Une plus grande fréquence d'utilisation des équipements et des conditions plus difficiles peuvent nécessiter une augmentation de la fréquence des inspections par la personne compétente. La fréquence de ces inspections doit être déterminée par la personne compétente en fonction des conditions propres au lieu de travail.

Norme ou région applicable	Fréquence requise des inspections par une personne compétente
ANSI et OSHA	Une fois par an
les normes EN	Une fois par an
AS/NZS	Une fois par an

5.2 Procédures d'inspection : inspectez le produit conformément aux procédures figurant dans le « Journal d'inspection et d'entretien ». La documentation de chaque inspection doit être conservée par le propriétaire de l'équipement. Un journal d'inspection et d'entretien doit être placé près du produit ou être facilement accessible aux utilisateurs. Il est recommandé de marquer ce produit avec la date de la prochaine inspection ou de la dernière inspection.

5.3 Défauts : Si le produit ne peut être remis en service en raison d'un défaut existant ou d'une condition dangereuse, il doit alors être détruit ou envoyé à 3M ou à un centre de services agréé par 3M pour être réparé.

5.4 Durée de vie du produit : La durée de vie fonctionnelle du produit est déterminée par les conditions de travail et l'entretien du produit. Tant que le produit satisfait aux critères d'inspection, il peut rester en service.

6.0 Entretien, stockage et réparation

Les équipements qui ont besoin d'être entretenus ou dont l'entretien est prévu doivent porter la mention « NE PAS UTILISER ». Ces étiquettes pour équipement ne doivent pas être enlevées avant que l'entretien ne soit effectué.

6.1 Nettoyage : nettoyez régulièrement les composants métalliques du produit avec de l'eau chaude et un savon doux. Rincez le produit à l'eau claire, puis laissez-le sécher à l'air libre. Pour plus d'informations, veuillez consulter le bulletin technique sur notre site Web : <https://www.3M.com/FallProtection/Mechanical-Device-Cleaning>

6.2 Réparation : Seule la société 3M ou les parties agréées par écrit par 3M peuvent réparer cet équipement.

6.3 Stockage et transport : transportez et rangez les longes dans un endroit frais, propre, sec et à l'abri de la lumière directe du soleil. Évitez les endroits où des vapeurs chimiques peuvent être présentes. Inspectez soigneusement les composants après une période de stockage prolongée.

Les bases installées de façon permanente ne doivent pas quitter le site de travail. Certains composants peuvent être retirés de ces bases pour être entreposés ou transportés, mais la base devra rester en place.

⚠️WARNING:

Des transitions soudaines entre des environnements chauds et extrêmement froids sont susceptibles d'affecter les performances de votre équipement. Les dispositifs mécaniques (tels que les dispositifs autorétractables, les treuils, les dispositifs de récupération, les manchons d'escalade, etc.) doivent être adaptés pour être utilisés dans des conditions de froid ou de chaleur extrêmes en les stockant à des températures similaires à celles de l'environnement de travail. Effectuez toujours une inspection de pré-utilisation de votre équipement dans son environnement de travail avant de l'utiliser.

7.0 Étiquettes et marquages

7.1 Résumé : La figure « Étiquettes du produit » illustre les étiquettes et marquages présents sur le produit. Voir ci-dessous pour un résumé des informations fournies avec chaque étiquette et marquage.

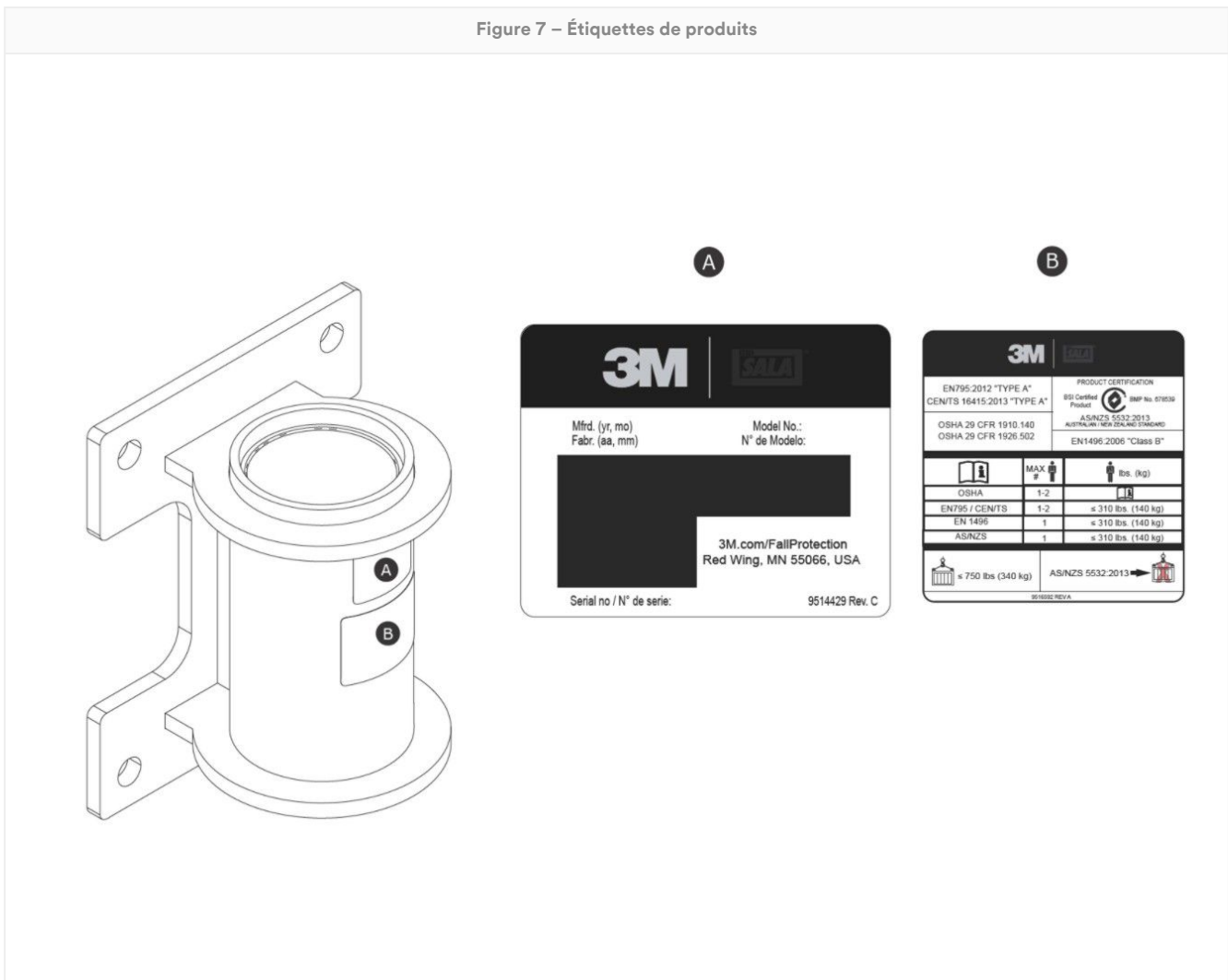
NOTICE:

Les images des étiquettes sont censées être représentatives. Veuillez vous référer aux étiquettes de vos produits pour des informations spécifiques.

Les étiquettes manquantes ou endommagées doivent être remplacées. Toutes les étiquettes doivent être entièrement lisibles.

A	Étiquette des caractéristiques du produit
B	Étiquette d'identification

Figure 7 – Étiquettes de produits



Glossaire

Définitions : Les définitions et termes suivants sont utilisés dans ces instructions :

Pour une liste complète de termes et de définitions, veuillez consulter notre site Web : www.3m.com/FallProtection/ifu-glossary

- **Personne agréée** : personne désignée par l'employeur pour effectuer des tâches sur un site où elle sera exposée à un risque de chute.
- **Personne compétente** : personne capable d'identifier des dangers existants et prévisibles dans les milieux de travail ou des conditions de travail non hygiéniques, ou dangereuses pour les employés, et ayant l'autorisation de prendre des mesures correctives rapides pour les éliminer.
- **Dispositifs antichute** : ensemble d'équipements de protection contre les chutes configuré pour protéger l'utilisateur en cas de chute.
- **Personne qualifiée** : personne possédant un diplôme, un certificat ou un statut professionnel reconnu, ou qui, par ses connaissances, sa formation et son expérience, a démontré sa capacité à résoudre des problèmes relatifs aux dispositifs de protection antichute et de secours dans la mesure exigée par les réglementations régionales, locales ou nationales applicables.
- **Système de sauvetage** : ensemble d'équipements de protection contre les chutes configuré pour éloigner une personne du danger et la déplacer vers un endroit sûr. Aucune chute libre n'est autorisée.
- **Sauveteur** : personne qui utilise le système de secours pour effectuer un sauvetage assisté.
- **Dispositif de retenue** : ensemble d'équipements de protection contre les chutes configuré pour empêcher l'utilisateur d'atteindre le point de risque de chute. Aucune chute libre n'est autorisée.
- **Utilisateur** : personne qui effectue des activités tout en étant protégée par un système de protection contre les chutes.
- **Système de maintien au travail** : ensemble d'équipements de protection antichute configuré pour soutenir l'utilisateur dans sa position de travail.

Journal d'inspection et d'entretien

Une copie de ce tableau doit être utilisée pour chaque inspection. Enregistrez les informations ci-dessous.

Fabricant : Service Fall Protection de 3M

Numéro de modèle (numéro de série) :

Date d'achat :

Date de la première utilisation :

Ce produit doit être inspecté par l'utilisateur avant chaque utilisation. De plus, une personne compétente autre que l'utilisateur doit inspecter cet équipement aux intervalles spécifiés à la section 5.

Composant	Procédure d'inspection	Résultat de l'inspection (réussite ou échec)
Produit (Figure 2)	Inspectez la base de potence pour détecter tout signe de dommage, de déformation, de corrosion et de rouille. Recherchez des fissures, des courbures, des bosses ou de l'usure susceptibles d'impacter la résistance et le fonctionnement du système. Lors de l'inspection de la corrosion, veuillez également inspecter le dispositif d'ancrage, ses fixations ou attaches et la structure à laquelle le dispositif d'ancrage est fixé.	
	Inspecter toutes les fixations pour détecter des signes de dommage ou de corrosion. Serrer si nécessaire.	
	Inspecter toutes les pièces mobiles pour détecter des éclats, des fissures, des ruptures ou des zones usées pouvant entraîner un dysfonctionnement lors de l'utilisation.	
Étiquettes	Toutes les étiquettes sont présentes et parfaitement lisibles.	
Équipement de protection antichute	L'équipement de protection antichute supplémentaire utilisé avec le produit est installé et inspecté conformément aux instructions du fabricant. Vérifiez que la résistance nominale de chacun de vos produits est compatible et suffisante pour l'application prévue.	

Résumé de l'inspection du produit

Si le produit échoue à une procédure d'inspection, alors le produit échoue à l'inspection globale. Si le produit ne passe pas l'inspection, mettez-le immédiatement hors service. Indiquez clairement « NE PAS UTILISER » sur le produit. Pour plus d'informations, reportez-vous à la Section 5.


Type d'inspection :	<input type="checkbox"/> Utilisateur	<input type="checkbox"/> Personne compétente	Résultat global de l'inspection :	
Inspection par :			Date d'inspection :	
Signature :			Prochaine échéance d'inspection :	
Remarques supplémentaires :				

Certifications

votre produit est conforme aux normes nationales ou régionales présentées sur la page de couverture de ces instructions. La certification et la conformité peuvent être limitées à des modèles de produits ou à des applications individuels.

Pour plus d'informations sur les exigences de certification ou de conformité, reportez-vous aux normes et réglementations applicables répertoriées pour votre produit.

Les utilisateurs soumis aux normes AS/NZS doivent consulter AS/NZS 1891.4 pour connaître les exigences de sélection, d'utilisation, de maintenance et de formation.

<p>BSI Certified Product AS/NZS 5532:2013 Licence : BMP 678539</p>	<p>BSI – Head Office Suite 1, Level 1, 54 Waterloo Road Macquarie Park, NSW, 2113 Australie</p>	
--	---	---

Garantie globale du produit, Recours limité et Limitation de responsabilité

Garantie : Les dispositions suivantes sont prises en lieu et place de toutes les garanties ou conditions, expresses ou implicites, y compris les garanties ou conditions implicites de qualité marchande ou d'adaptation à un usage spécifique.

À moins d'un conflit avec une législation locale, les produits antichute de 3M sont garantis contre les défauts de fabrication en usine et de matériaux pendant une période d'un an à compter de la date d'installation ou de la première utilisation par le propriétaire initial.

Recours limité : Sur demande écrite à 3M, 3M s'engage à réparer ou remplacer tout produit considéré par 3M comme souffrant d'un défaut de fabrication en usine ou de matériaux. 3M se réserve le droit d'exiger que le produit lui soit retourné pour une évaluation de la réclamation au titre de la garantie. Cette garantie ne couvre pas les dommages du produit liés à l'usure, aux abus, à la mauvaise utilisation, aux dommages liés aux transports, au manque d'entretien du produit ou tout autre dommage indépendant du contrôle de 3M. 3M sera l'unique juge de la condition du produit et des options de la garantie.

Cette garantie ne s'applique qu'au propriétaire initial et elle constitue l'unique garantie s'appliquant aux produits antichute de 3M. Veuillez contacter le service à la clientèle 3M de votre région pour obtenir de l'assistance.

Limitation de responsabilité : Dans les mesures permises par la législation locale, 3M n'est pas responsable pour tout dommage indirect, accessoire, spécifique ou consécutif, y compris, mais sans s'y limiter, la perte de profits, liée de quelque manière que ce soit aux produits, quelle que soit la théorie juridique revendiquée.

Base de bossoir à montage au mur 3M^{MC} DBI-SALA®

Directives d'utilisation

Numéro de formulaire : 5903663, révision : F

Ce produit est certifié ou conforme aux normes et réglementations énumérées ci-après. La certification et la conformité peuvent ne s'appliquer qu'à certains modèles de produits ou à certaines utilisations spécifiques. Pour plus de précisions, consultez la section *Certifications*.

- Règlements 29 CFR 1910.140 et 1926.502 de l'OSHA
- EN 795:2012 (Type A)
- CEN/TS 16415:2013 (Type A)
- EN 1496:2006 (clause 4.6)
- Norme AS/NZS 5532-2013

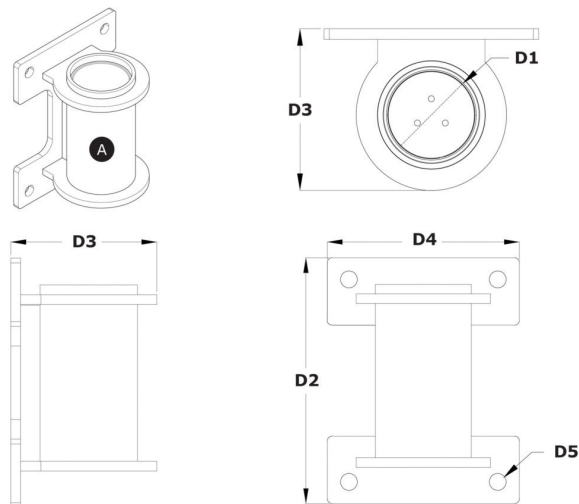
⚠WARNING:

Pour identifier les codes des produits, veuillez consulter les tableaux de spécifications des produits. Pour obtenir davantage d'informations sur les produits, veuillez consulter la vue d'ensemble des produits.

Il se peut que certains composants ne soient pas homologués individuellement et nécessitent un assemblage pour répondre aux exigences de certification.

Figure 1 – Présentation du produit

régulateur	Style	D1	D2	D3	D4	D5	Poids du produit
8000101	A	4,0 po (10,2 cm)	12,75 po (32,4 cm)	7,5 po (19,0 cm)	10,0 po (25,4 cm)	0,88 po (22,2 mm)	34,0 lb (15,7 kg)
8000102	A	4,0 po (10,2 cm)	12,75 po (32,4 cm)	7,5 po (19,0 cm)	10,0 po (25,4 cm)	0,88 po (22,2 mm)	34,0 lb (15,7 kg)



Renseignements sur la sécurité

Veillez lire, comprendre et suivre toutes les informations de sécurité contenues dans ces instructions avant d'utiliser ce produit. NE PAS LE FAIRE POURRAIT ENTRAÎNER DES BLESSURES GRAVES OU LA MORT.

Ces instructions doivent être fournies à l'utilisateur de l'équipement. Conservez ces instructions pour toute référence ultérieure.

Renseignements sur la sécurité

Formulaire : 5908277, Révision : B

Utilisation prévue

Ce produit est utilisé dans le cadre d'un système complet de protection contre les chutes.

Toute utilisation pour d'autres applications y compris, mais sans s'y limiter, la manutention non approuvée de matériaux, des activités de loisirs ou sportives, ou d'autres activités non décrites dans les présentes instructions, n'est pas approuvée par 3M et pourrait entraîner des blessures graves ou mortelles.

Ce produit ne doit être utilisé que par des utilisateurs formés pour des utilisations en milieu de travail.

Avertissement

Ce produit est utilisé dans le cadre d'un système complet de protection contre les chutes.

Tous les utilisateurs doivent être entièrement formés sur l'installation et l'utilisation en toute sécurité de leur système de protection contre les chutes complet. Une mauvaise utilisation de ce produit peut entraîner des blessures graves ou la mort. Pour une sélection, un fonctionnement, une installation, une maintenance et un entretien appropriés, consultez tous les manuels d'instructions et les recommandations du fabricant. Pour obtenir plus d'informations, consultez votre superviseur ou contactez les services techniques de 3M.

- **Réduire les risques associés à l'utilisation d'un système d'entrée et de sauvetage en espace clos qui, s'ils ne sont pas évités, peuvent entraîner des blessures graves, voire mortelles :**
 - Inspectez le produit avant chaque utilisation et après toute chute, conformément aux procédures décrites dans ces instructions.
 - Si l'inspection révèle un état dangereux ou défectueux, mettez immédiatement le produit hors service et étiquetez-le clairement avec la mention « NE PAS UTILISER ». Détruisez ou réparez le produit conformément à ces instructions.
 - Tout produit qui a subi un arrêt de chute ou une force d'impact doit être mis hors service immédiatement. Détruisez ou réparez le produit conformément à ces instructions.
 - Assurez-vous que les systèmes de protection contre les chutes assemblés à partir de composants fabriqués par différents fabricants sont compatibles et respectent tous les règlements, normes ou exigences applicables en matière de protection contre les chutes. Consultez toujours un professionnel qualifié avant toute utilisation de ces systèmes.
 - Le produit doit être installé uniquement comme décrit dans ses manuels d'instructions. Les installations et l'utilisation en dehors du cadre de ces manuels d'instructions doivent être approuvées par écrit par 3M.
 - Connectez seulement les sous-systèmes de protection contre les chutes aux points de connexion d'ancrage désignés sur le produit.
 - Avant l'installation, assurez-vous que les méthodes d'installation et le produit n'interféreront pas avec des lignes électriques, des conduites de gaz ou d'autres matériaux ou systèmes critiques.
 - Assurez-vous que le produit est configuré et installé correctement pour un fonctionnement en toute sécurité, comme décrit dans ces instructions.
 - Ne tordez pas, n'attachez pas, ne nouez pas et ne laissez aucun jeu dans le câble de sûreté.
 - Ne dépassez pas le nombre d'utilisateurs permis indiqué dans ces instructions.
 - Faites preuve de prudence lors de l'installation, de l'utilisation ou du déplacement du produit, car les pièces mobiles peuvent présenter des risques de pincement.
 - Les procédures de verrouillage/d'étiquetage doivent être respectées, le cas échéant.
 - Ne vous raccordez pas au système pendant son transport ou son installation.
- **Pour réduire les risques associés au travail en hauteur qui, s'ils ne sont pas évités, peuvent entraîner des blessures graves ou la mort :**
 - Votre santé et votre condition physique doivent vous permettre de travailler en hauteur en toute sécurité et de résister à toutes les forces associées à un arrêt de chute. Consultez votre médecin si vous avez des questions concernant votre capacité d'utiliser cet équipement.
 - Ne dépassez jamais la capacité autorisée de votre équipement de protection contre les chutes.
 - Ne dépassez jamais la distance de chute libre maximale déterminée pour votre équipement de protection contre les chutes.
 - N'utilisez pas d'équipement de protection contre les chutes si son inspection résulte en un échec, ou si vous avez des inquiétudes quant à l'utilisation ou à l'adéquation de l'équipement. Contactez le service clientèle de 3M pour toute question.
 - Certaines combinaisons de sous-systèmes et de composants peuvent interférer avec le fonctionnement de ce matériel. N'utilisez que des connexions compatibles. Contactez le service clientèle de 3M avant d'utiliser cet équipement en combinaison avec des composants ou des sous-systèmes autres que ceux décrits dans ces instructions.
 - Prenez des précautions supplémentaires lorsque vous travaillez à proximité de machines en mouvement, de dangers électriques, de températures extrêmes, de dangers chimiques, de gaz explosifs ou toxiques, de bords tranchants, de surfaces abrasives ou sous des matériaux suspendus qui pourraient tomber sur vous ou sur votre équipement de protection contre les chutes.
 - Assurez-vous que l'utilisation de votre produit est adaptée aux dangers présents dans votre environnement de travail.
 - Assurez-vous que la distance de chute est suffisante lorsque vous travaillez en hauteur.
 - Ne modifiez jamais votre équipement de protection contre les chutes. Seul 3M ou les personnes autorisées par écrit par 3M peuvent effectuer des réparations d'équipement de 3M.
 - Avant d'utiliser l'équipement de protection contre les chutes, assurez-vous qu'un plan de sauvetage écrit est en place pour être en mesure de procéder à un sauvetage rapide en cas de chute.
 - Si une chute se produit, veillez à ce que le travailleur qui a chuté consulte immédiatement un médecin.
 - Utilisez uniquement un harnais complet pour les utilisations à arrêt de chute. N'utilisez pas de ceinture de travail.
 - Réduisez au minimum les chutes dues au balancement en travaillant aussi près que possible sous le point d'ancrage.
 - Un système de protection contre les chutes secondaire doit être utilisé lors des formations effectuées avec ce produit. Les personnes en formation ne doivent pas être exposées à un risque de chute involontaire.
 - Portez toujours un équipement de protection individuelle approprié lors de l'installation, de l'utilisation ou de l'inspection du produit.
 - Ne travaillez jamais sous une charge ou un travailleur suspendu.
 - Soyez toujours complètement attaché.

Aperçu des produits

Assurez-vous de toujours utiliser la version la plus récente de votre manuel d'instructions de 3M. Visitez le site www.3m.com/userinstructions ou contactez le service client de 3M pour obtenir les manuels d'instructions mis à jour.

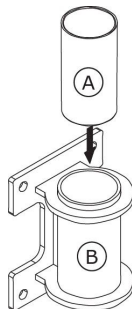
Avant d'utiliser cet équipement, consigner les informations sur les produits indiquées sur l'étiquette d'identification dans le « Journal d'inspection et d'entretien » qui se trouve au dos du présent manuel.

La Figure 1 illustre les modèles de produits offerts. Les bases de bossoir forment l'élément du système de bossoir qui assure son ancrage au sol. Le bossoir se fixe sur la base, tout en offrant un point d'ancrage réglable et mobile à l'utilisateur. Pour des informations détaillées sur les applications du système, se référer aux instructions du fabricant du bossoir ou du système de bossoirs compatible.

La Figure 2 illustre les principaux composants des modèles de produits offerts. La base de bossoir est composée de deux pièces : une doublure (A) et un manchon de bossoir (B). La doublure permet à un bossoir sécurisé de tourner librement à l'intérieur du manchon de bossoir. Le manchon comprend une plaque de montage attachée pour fixer la base de bossoir à une structure.

Chaque modèle présente des caractéristiques spécifiques, illustrées à la figure 1. Pour plus de détails, consulter les tableaux des spécifications du produit.

Figure 2 – Composants



Tableaux de spécification des produits

Spécifications du système

Nombre d'utilisateurs :	Consultez les instructions du fabricant des modèles de bossoirs compatibles pour plus d'informations sur la capacité du système.
Normes :	Chaque modèle de produit est certifié ou conforme aux normes et règlements applicables mentionnés à la Figure 1. Si aucun n'est mentionné, tous les règlements et normes indiquées sur la couverture s'appliquent.

Spécifications des composants :

Figure 2 Référence	Composant	Matériaux
A	Fond protecteur	Polyéthylène haute densité
B	Manchon de bossoir	8000101: Acier au carbone galvanisé
		8000102: Acier inoxydable

1.0 Application du produit

1.1 Objet : Les systèmes de bossoirs agissent comme des structures d'ancrage mobile pour les systèmes de protection contre les chutes. L'assemblage et les composants varient en fonction du système. Pour plus d'informations sur les applications du système, reportez-vous à la « Vue d'ensemble du produit » et aux sections relatives à l'installation ou à l'utilisation.

1.2 Supervision : L'utilisation de cet équipement doit être supervisée par une personne qualifiée. L'utilisation de cet équipement doit être supervisée par une personne compétente. Une personne qualifiée doit confirmer que l'installation est conforme aux règlements locaux et fédéraux. L'emplacement des attaches et de la base de bossoir doit également être approuvé par une personne qualifiée.

1.3 Revente et distribution : Si ce produit est revendu en dehors du pays de destination d'origine, le revendeur doit fournir ces instructions dans la langue du pays dans lequel le produit sera utilisé.

1.4 Formation : Cet équipement doit être installé et utilisé par des personnes formées à son application correcte. Ces instructions doivent être utilisées dans le cadre d'un programme de formation des employés, tel que requis par les normes nationales, régionales ou locales. Il relève de la responsabilité des utilisateurs et des installateurs de cet équipement de s'assurer de connaître ces instructions, d'être formés sur le bon entretien et la bonne utilisation de cet équipement et d'être conscients des caractéristiques de fonctionnement, des limites d'utilisation et des conséquences d'une mauvaise utilisation de cet équipement.

1.5 Plan de sauvetage : Lors de l'utilisation de cet équipement et des sous-systèmes de raccordement, l'employeur doit disposer d'un plan de sauvetage écrit et des moyens de mettre ce plan en œuvre ainsi que de le communiquer aux utilisateurs, aux personnes autorisées et aux sauveteurs. Il est recommandé d'avoir une équipe de sauvetage formée sur place. Les membres de l'équipe doivent disposer de l'équipement et des techniques nécessaires pour effectuer un sauvetage réussi. Une formation doit être dispensée périodiquement pour assurer la compétence des sauveteurs. Ces instructions doivent être fournies aux sauveteurs. En tout temps pendant le processus de sauvetage, un contact visuel ou des moyens de communication doivent être établis avec la personne étant secourue.

2.0 Configuration requise

2.1 Ancrage : La structure d'ancrage de ce produit doit être capable de supporter toutes les charges requises par le système de protection contre les chutes. Consultez la section 4 pour obtenir plus d'informations.

2.2 Capacité : La capacité d'utilisation d'un système complet de protection contre les chutes est limitée par le composant ayant la capacité maximale nominale la moins élevée. Par exemple, si votre sous-système de raccordement a une capacité inférieure à celle de votre harnais, vous devez vous conformer aux exigences de capacité de votre sous-système de raccordement. Consultez les instructions du fabricant de chaque composant de votre système pour connaître les exigences en matière de capacité.

2.3 Risques environnementaux : L'utilisation de cet équipement dans des zones présentant des dangers environnementaux peut nécessiter des précautions supplémentaires pour éviter de blesser l'utilisateur ou d'endommager l'équipement. Les dangers peuvent inclure, mais sans s'y limiter : la chaleur élevée, les produits chimiques, les environnements corrosifs, les lignes électriques à haute tension, les gaz explosifs ou toxiques, les machines en mouvement, les bords tranchants ou les matériaux suspendus qui peuvent tomber et heurter l'utilisateur ou l'équipement. Veuillez contacter le service clientèle de 3M pour toute information complémentaire.

2.4 Risques liés au câble de sûreté : Assurez-vous que le câble de sûreté est exempt de tout danger, y compris, mais sans s'y limiter : l'enchevêtrement avec des utilisateurs, d'autres travailleurs, des machines en mouvement ou d'autres objets environnants, ou les objets situés au-dessus qui pourraient heurter le câble de sûreté ou les utilisateurs en tombant.

2.5 Compatibilité des composants : L'équipement de 3M est conçu pour être utilisé avec l'équipement de 3M. L'utilisation avec l'équipement d'un autre fabricant que 3M doit être approuvée par une personne qualifiée. Utiliser un équipement non approuvé peut entraîner une incompatibilité entre les équipements et compromettre la sécurité et la fiabilité de votre système de protection contre les chutes. Lisez et suivez toutes les instructions et tous les avertissements pour tous les équipements avant de les utiliser.

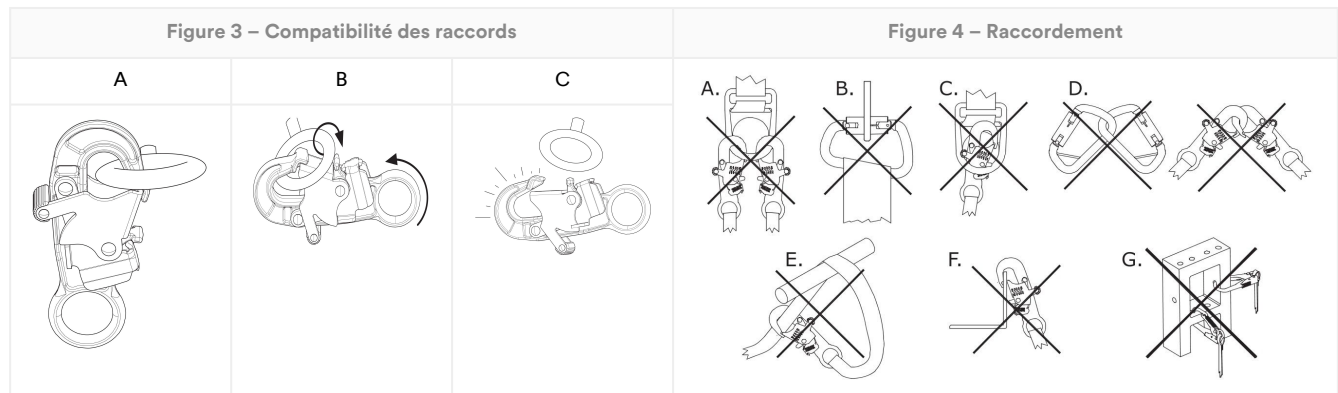
2.6 Compatibilité des raccords : Les raccords sont compatibles avec les éléments de raccordement lorsque la taille et la forme de l'un ou l'autre des composants ne provoquent pas l'ouverture accidentelle du raccord, quelle que soit l'orientation. Les raccords doivent être conformes aux normes applicables. Ils doivent être complètement fermés et verrouillés pendant l'utilisation.

Les raccords de 3M (mousquetons) sont conçus pour être utilisés uniquement conformément à ce qui est décrit dans chaque manuel d'instructions. Assurez-vous que les raccords sont compatibles avec les composants du système auxquels ils sont raccordés. N'utilisez jamais d'équipement incompatible. L'utilisation de composants incompatibles peut provoquer

un désengagement involontaire du connecteur. Consultez la Figure à titre de référence. Si l'élément de raccordement auquel un raccord est fixé est sous-dimensionné ou de forme irrégulière, cela pourrait faire en sorte que l'élément de raccordement applique une pression sur l'ouverture du raccord (A). Cette pression pourrait ouvrir le raccord (B), qui se décrocherait alors de l'élément de raccordement (C).

2.7 Raccordements : Tous les raccordements doivent être compatibles en termes de taille, de forme et de résistance. Se référer à la figure pour des exemples de connexions incorrectes. Ne fixez pas de crochets mousquetons ou mousquetons :

1. À un anneau en D auquel un autre connecteur est déjà fixé.
2. D'une manière telle à entraîner une pression sur l'ouverture. Les crochets mousquetons à gorge large ne doivent pas être raccordés à des anneaux en D ou à d'autres éléments de raccordement, à moins que la force de déclenchement de l'ouverture du mousqueton ne soit de 16 kN (3600 lbf) ou plus.
3. Dans un mauvais raccordement, où la taille ou la forme du raccord ou de l'élément de raccordement n'est pas compatible, mais qui, sans confirmation visuelle, semble être entièrement raccordé.
4. L'un à l'autre.
5. Directement sur la sangle du harnais, le matériau de la branche de la longe ou le matériau de l'attache, à moins qu'un tel raccordement ne soit explicitement autorisée par les instructions du fabricant.
6. À tout objet dont la taille ou la forme ne permet pas au raccord de se fermer et de se verrouiller complètement, ou qui pourrait provoquer le décrochage du raccord.
7. D'une manière qui ne permet pas au raccord de s'aligner correctement lorsqu'il supporte une charge.



3.0 Installation

3.1 Aperçu : L'installation d'un système de bossoirs peut être une procédure longue comportant de nombreuses étapes. Une planification efficace et la connaissance de votre site de travail et de vos équipements sont d'une grande aide pour que cette procédure se déroule dans les meilleures conditions possibles.

3.2 Planification : Planifiez votre système de protection contre les chutes avant de commencer votre travail. Tenez compte de tous les facteurs susceptibles d'avoir une incidence sur votre sécurité avant, pendant et après une chute. Tenez compte de toutes les exigences et limitations décrites dans ces instructions.

1. **Arêtes tranchantes :** Évitez de travailler là où les composants du système peuvent être en contact avec des arêtes vives non protégées et des surfaces abrasives, ou frotter contre elles. Tous les bords tranchants et toutes les surfaces abrasives doivent être recouverts d'un matériau de protection.
2. **Compatibilité :** Lors de l'installation de votre système, il est important d'utiliser des composants compatibles. Chaque modèle de produit est compatible avec un ensemble spécifique de modèles de produits ou de conceptions.

La base de bossoir peut également recevoir des extensions de mât de bossoir compatibles avec les bossoirs répertoriés.

Modèles de bossoirs compatibles	Mode d'emploi du bossoir
8000107	5908417
8000108	5908417
8000130	5908364
8000131	5908364

3.3 Installation de la base de bossoir : Installez la base de bossoir conformément aux instructions spécifiques à votre modèle de produit.

Avant l'installation de la base de bossoir, veillez à ce que la surface de la structure d'ancrage soit exempte de tout débris.

A. Base de bossoir montée au mur : La base de bossoir doit être préparée avant l'utilisation.

1. **Préparer l'emplacement.** Sélectionnez une surface de montage appropriée pour installer la base de bossoir, puis déterminez où la base doit être installée. Il doit y avoir suffisamment de recul par rapport au bord (A) et d'épaisseur de matériau (B) pour répondre aux exigences de résistance de votre structure et de votre système. Marquez et percez tous les trous de montage au diamètre et à la profondeur recommandés par le fabricant de fixations.

La base de bossoir doit être installée sur une surface plane et verticale.

2. **Placez la base de bossoir.** Alignez les trous de la plaque de montage avec les trous percés. Le bossoir doit être positionné à plus ou moins 1 degré de la verticale.
3. **Fixez la base de bossoir.** Fixez la base de bossoir à l'aide des fixations sélectionnées, comme indiqué dans les instructions du fabricant des fixations.

Figure 6 – Installation de la base de bossoir montée au mur

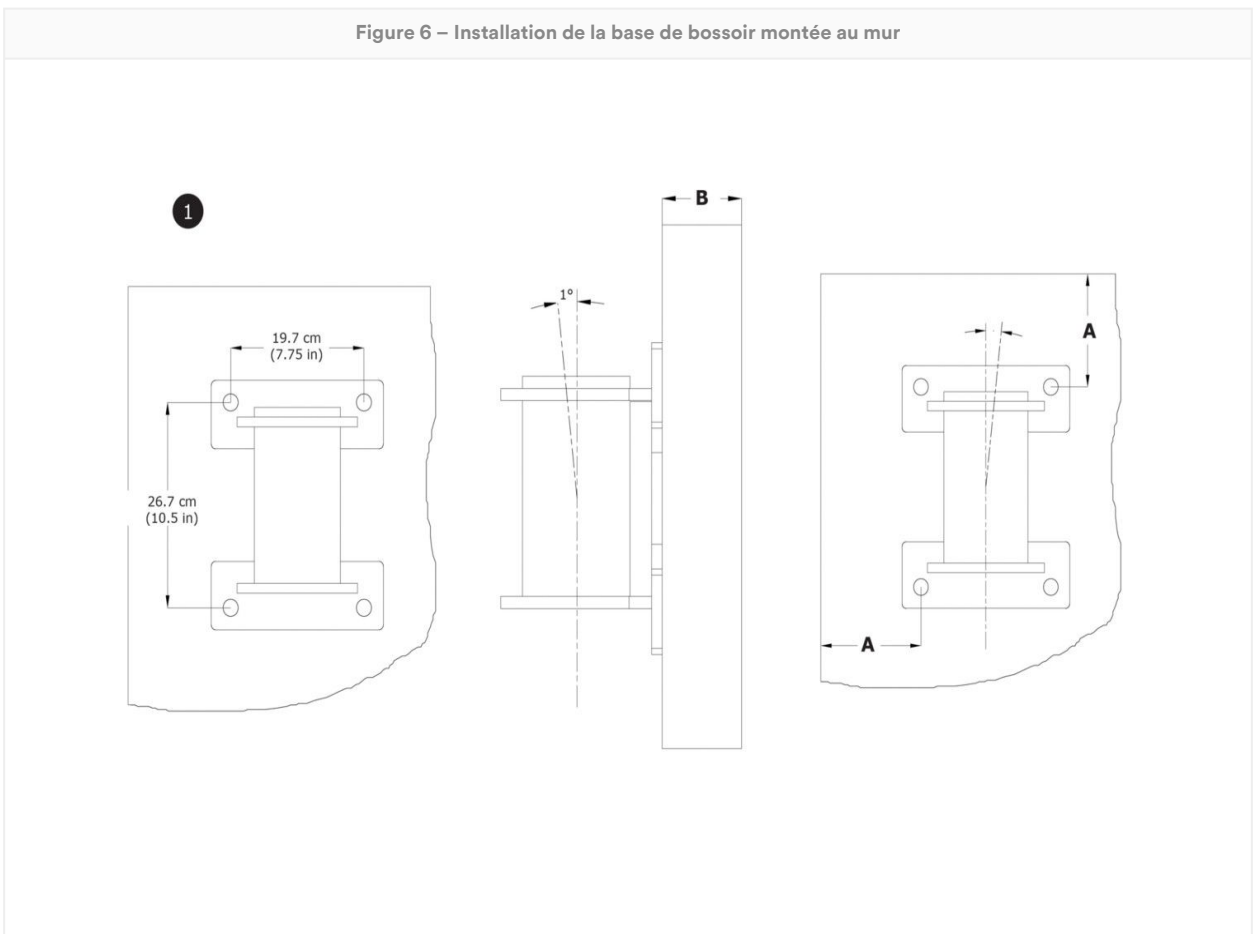
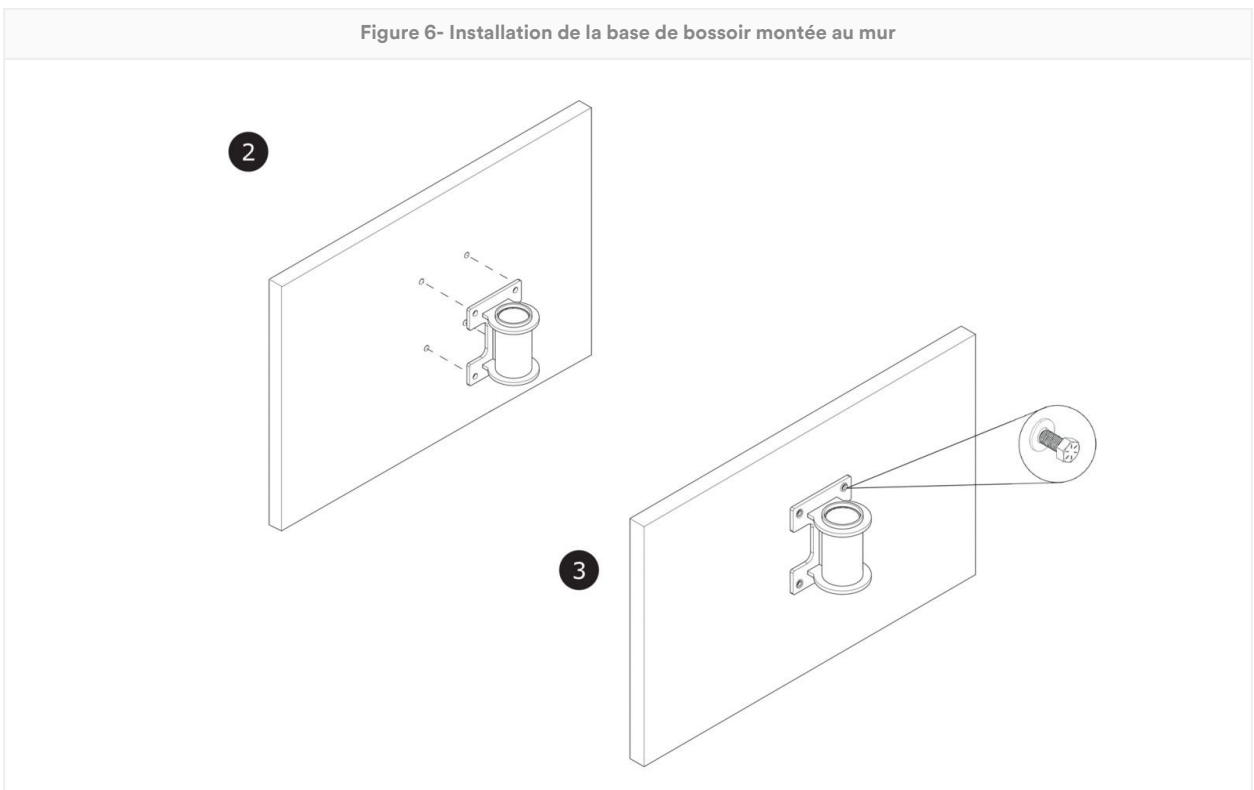


Figure 6- Installation de la base de bossoir montée au mur



3.4 Sécurisation du bossoir : Une fois la base de bossoir mise en place, l'utilisateur peut fixer le bras ou le mât de bossoir sur la base. Le bossoir doit être attaché soit au poteau de montage, soit inséré dans le manchon de la base de bossoir, selon le modèle utilisé. Assurez-vous que le bossoir est correctement fixé et que les guides ou goupilles de verrouillage sont utilisés de manière adéquate. Pour tout complément d'information, référez-vous aux instructions du fabricant de votre bossoir ou du système de bossoir.

4.0 Utilisation

4.1 Avant chaque utilisation : Vérifiez que votre zone de travail et votre système de protection contre les chutes répondent à tous les critères définis dans ces instructions. Vérifiez qu'un plan de sauvetage formel est en place. Inspectez le produit selon les points d'inspection « Utilisateur » définis dans le « Journal d'inspection et d'entretien ». Si l'inspection révèle un état dangereux ou défectueux, ou s'il y a le moindre doute quant à son état pour une utilisation en toute sécurité, mettez immédiatement le produit hors service. Étiquetez clairement le produit avec « NE PAS UTILISER ». Consultez la section 5 pour obtenir plus d'informations.

4.2 Ancrage : Outre la capacité du produit, tout système de protection contre les chutes doit prendre en compte les forces de toute structure ou composant de support.

1. **Structure d'ancrage :** La structure d'ancrage qui fixe ce produit doit être capable de supporter les charges requises, comme le permet le système de protection contre les chutes de ce produit.

Charge de moment	136 400 po-lb. (15,41 kN*m)
------------------	-----------------------------

2. **Points de raccordement d'ancrage :** Les points de raccordement d'ancrage utilisés avec le produit doivent être capables de résister à toutes les charges appliquées par le produit.
3. **Attaches :** Les fixations qui assurent le maintien du produit doivent offrir une résistance suffisante pour garantir sa stabilité durant l'utilisation. Pour des informations détaillées, veuillez vous référer aux instructions fournies par le fabricant de la fixation.

Force d'arrachement de la fixation	8 000 lbf (35,59 kN)
Résistance au cisaillement par fixation	5 000 lbf (22,2 kN)

4.3 Après une chute : Si cet équipement subit un arrêt de chute ou une force d'impact, mettez-le immédiatement hors service. Étiquetez-le clairement avec la mention « NE PAS UTILISER ». Consultez la section 5 pour obtenir plus d'informations.

4.4 Manipulation de matériaux : 3M permet l'utilisation de ce produit pour la manutention des matériaux selon les directives. Les normes et les règlements locaux peuvent comporter des restrictions supplémentaires ou réglementer l'utilisation d'équipement de protection contre les chutes pour la manutention des matériaux.

⚠ CAUTION:

Ce produit doit être utilisé avec un bossoir compatible pour pouvoir être utilisé pour la manutention de matériaux. Ne fixez jamais une charge de matériau directement sur la base de bossoir.

Avant d'arrimer votre chargement de matériel, vérifiez qu'il a été préparé pour le transport.

Ne fixez jamais ce produit aux matériaux et aux utilisateurs simultanément.

Les produits utilisés pour la manutention doivent être inspectés par une personne compétente avant leur prochaine utilisation. Les réglementations ou normes locales peuvent restreindre la commutation entre l'utilisation par le personnel et la manipulation des matériaux.

1. **Fixez le bossoir.** Fixez le bossoir à la base de bossoir comme indiqué dans ses directives d'utilisation.
2. **Fixez un sous-système de connexion au bossoir.** Consultez les instructions du fabricant de votre bossoir pour plus d'informations.
3. **Fixez la ligne de vie à votre chargement.** Abaissez ou augmentez le poids de chargement si nécessaire.

Capacité de manipulation des matériaux

750 lb (340 kg)

5.0 Inspection

Une fois que de l'équipement a été mis hors service, il ne peut être remis en service tant qu'une personne qualifiée n'a pas confirmé par écrit qu'il est acceptable de le faire.

5.1 Fréquence d'inspection : Le produit doit être inspecté avant chaque utilisation par l'utilisateur et également par une personne compétente autre que l'utilisateur selon les intervalles précisés ci-dessous. Une fréquence d'utilisation plus élevée de l'équipement et des conditions plus difficiles peuvent nécessiter d'augmenter la fréquence des inspections de la personne qualifiée. La fréquence de ces inspections doit être déterminée par la personne qualifiée en fonction des conditions particulières du chantier.

Norme ou région applicable	Fréquence requise des inspections par une personne compétente
ANSI et OSHA	Une fois par an
Normes EN	Une fois par an
Norme AS/NZS	Une fois par an

5.2 Procédures d'inspection : Inspectez ce produit selon les procédures indiquées dans le « Journal d'inspection et d'entretien ». La documentation de chaque inspection doit être conservée par le propriétaire de l'équipement. Un journal d'inspection et d'entretien doit être placé à proximité du produit où les utilisateurs peuvent y avoir accès facilement. Il est recommandé de marquer sur le produit la date de la prochaine ou de la dernière inspection.

5.3 Défauts : Si le produit ne peut pas être remis en service en raison d'un défaut existant ou d'un état dangereux, le produit doit être détruit ou envoyé à 3M ou à un centre de service agréé 3M aux fins de réparation.

5.4 Durée de vie du produit : La durée de vie fonctionnelle du produit dépend des conditions d'utilisation et de l'entretien. Tant que le produit satisfait aux critères d'inspection, il peut être utilisé.

6.0 Entretien, stockage et réparation

L'équipement qui nécessite un entretien ou dont l'entretien est programmé doit être étiqueté avec la mention « NE PAS UTILISER ». Ces étiquettes d'équipement ne doivent pas être retirées tant que l'entretien n'est pas effectué.

6.1 Nettoyage : Nettoyez régulièrement les composants métalliques du produit, de l'eau chaude et une solution savonneuse douce. Rincez le produit à l'eau claire, puis laissez-le sécher à l'air libre. Veuillez consulter le bulletin technique sur notre site Web pour obtenir plus d'informations : <https://www.3M.com/FallProtection/Mechanical-Device-Cleaning>

6.2 Réparation : Seules 3M ou les parties autorisées par écrit par 3M peuvent réparer ce matériel ou cet équipement.

6.3 Stockage et transport : Stockez et transportez le produit dans un environnement frais, sec et propre, à l'abri de la lumière directe du soleil. Évitez les zones où il peut y avoir des vapeurs chimiques. Inspectez soigneusement les composants après un stockage prolongé.

Les bases fixées de manière permanente doivent demeurer sur le site de travail. D'autres composants peuvent être retirés de ces bases pour le stockage ou le transport, mais la base doit rester en place.

⚠WARNING:

Des variations brutales entre des températures chaudes et extrêmement froides peuvent altérer les performances de l'équipement. Les dispositifs mécaniques (comme les dispositifs autorétractables, les treuils, les dispositifs de récupération, les manchons d'escalade, etc.) doivent être conditionnés à des températures comparables à celles de l'environnement d'utilisation afin de garantir leur fonctionnement par temps froid ou chaud extrême. Inspectez toujours votre équipement dans son environnement d'utilisation avant chaque emploi.

7.0 Étiquettes et marquages

7.1 Résumé : La Figure « Étiquettes de produit » illustre les étiquettes et marquages présents sur le produit. Voir ci-dessous pour un résumé des informations fournies avec chaque étiquette et marquage.

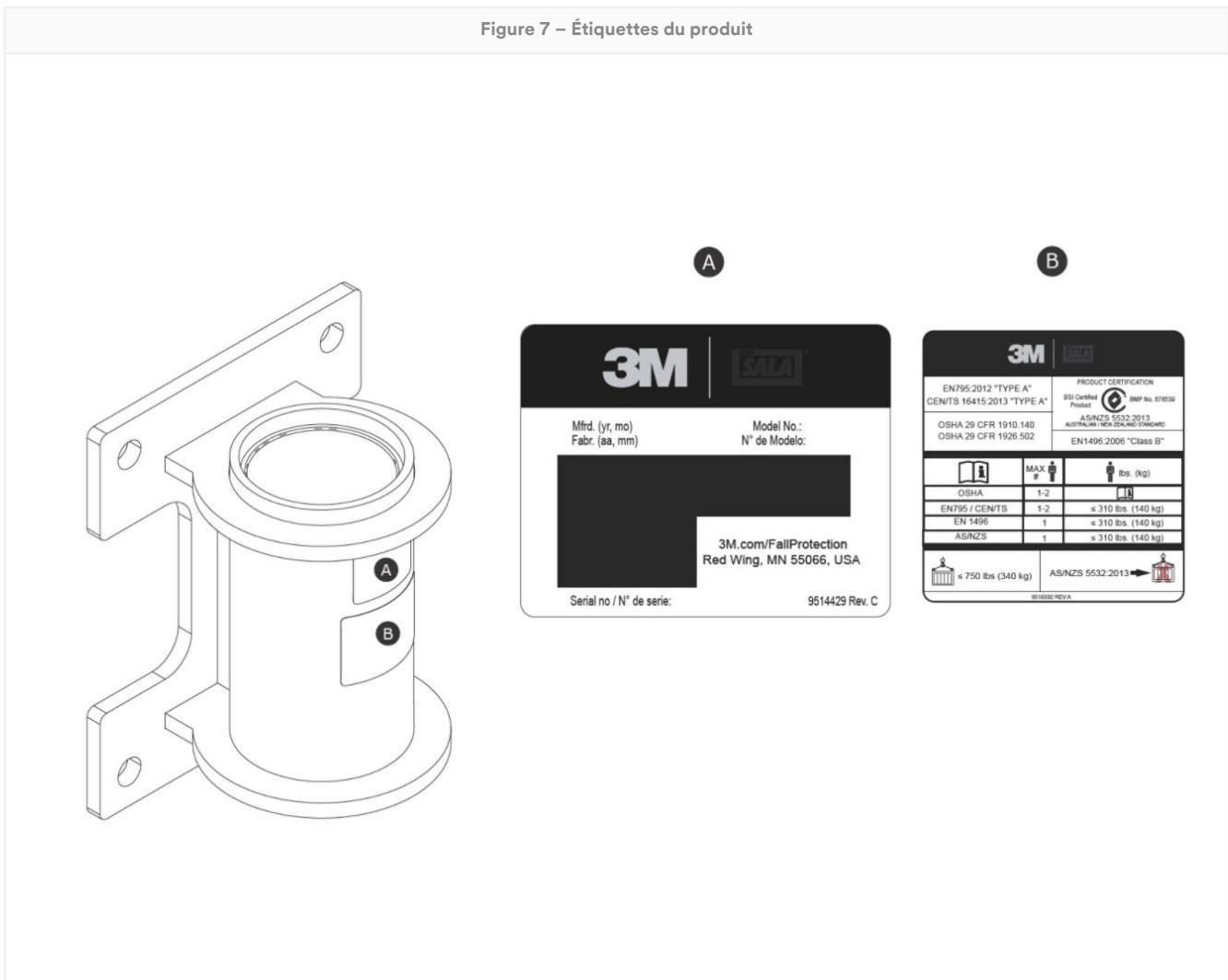
NOTICE:

Les images des étiquettes sont destinées à être représentatives. Veuillez consulter les étiquettes de votre produit pour obtenir des informations spécifiques.

Les étiquettes manquantes ou endommagées doivent être remplacées. Toutes les étiquettes doivent être parfaitement lisibles.

A	Étiquette contenant les spécifications du produit
B	Étiquettes d'identification

Figure 7 – Étiquettes du produit



Glossaire

Définitions : Les termes et définitions suivants sont utilisés dans ces instructions :

Pour consulter une liste complète des termes et définitions, veuillez visiter notre site Web : www.3m.com/FallProtection/ifu-glossary

- **Personne autorisée** : Personne désignée par l'employeur pour effectuer des tâches à un endroit où elle sera exposée à un risque de chute.
- **Personne compétente** : Personne qui a la capacité de reconnaître les dangers existants et prévisibles au sein du milieu de travail ou de reconnaître les conditions de travail insalubres, risquées ou dangereuses pour les employés, et qui possède l'autorisation d'apporter rapidement des mesures correctives pour les éliminer.
- **Système d'arrêt de chute** : Ensemble d'équipements de protection contre les chutes configurés pour protéger l'utilisateur en cas de chute.
- **Personne qualifiée** : Personne titulaire d'un diplôme, d'un certificat ou d'un statut professionnel reconnu, ou qui, en vertu de ses connaissances, d'une formation et d'une expérience approfondies, a démontré avec succès sa capacité de résoudre les problèmes liés aux systèmes de protection contre les chutes et de sauvetage dans la mesure requise par les règlements nationaux, régionaux et locaux.
- **Système de sauvetage** : Une collection d'équipements de protection contre les chutes configurés pour déplacer une personne hors des dangers, vers un endroit sûr. Aucune chute libre n'est permise.
- **Sauveteur** : Personne utilisant le système de sauvetage pour effectuer un sauvetage assisté.
- **Système d'arrêt** : Ensemble d'équipements de protection contre les chutes configurés pour empêcher l'utilisateur d'être exposé à un risque de chute. Aucune chute libre n'est permise.
- **Utilisateur** : Personne qui effectue des activités tout en étant protégée par un système de protection contre les chutes.
- **Dispositif pour travaux en élévation** : Ensemble d'équipements de protection contre les chutes configurés pour soutenir un utilisateur dans une position de travail.

REGISTRE D'INSPECTION ET D'ENTRETIEN

Une copie de ce tableau doit être utilisée pour chaque inspection. Enregistrez les informations ci-dessous.

Fabricant : Protection contre les chutes 3M

Numéro de modèle (numéro de série) :

Date d'achat :

Date de la première utilisation :

Ce produit doit être inspecté par l'utilisateur avant chaque utilisation. De plus, une personne compétente autre que l'utilisateur doit inspecter cet équipement aux intervalles spécifiés à la section 5.

Composant	Méthode d'inspection	Résultat de l'inspection (réussite ou échec)
Produit (Figure 2)	Vérifiez que la base du bossoir ne présente ni dommage, ni déformation, ni corrosion, ni rouille. Recherchez toute fissure, courbure, bosse ou usure susceptible d'altérer la résistance ou le bon fonctionnement du système. Lors de la vérification de la corrosion, inspectez également le dispositif d'ancrage, ses éléments de fixation, ainsi que la structure sur laquelle il est monté.	
	Inspectez toutes attaches pour déceler la présence de dommages ou de corrosion. Serrez au besoin.	
	Examinez toutes les pièces mobiles afin de déceler la présence d'éclats, de fissures, de bris ou de zones usées pouvant provoquer un mauvais fonctionnement lors de l'utilisation.	
Étiquettes	Toutes les étiquettes sont présentes et parfaitement lisibles.	
Matériel de protection contre les chutes	Les équipements de protection contre les chutes complémentaires utilisés avec le produit doivent être installés et vérifiés conformément aux instructions du fabricant. Assurez-vous que la résistance de chaque produit est compatible et adéquate pour l'usage prévu.	

Résumé de l'inspection du produit

Si le produit échoue à une procédure d'inspection, alors le produit échoue à l'inspection générale. Si le produit échoue à l'inspection, mettez-le immédiatement hors service. Étiquetez clairement le produit avec « NE PAS UTILISER ». Consultez la section 5 pour obtenir plus d'informations.


Type d'inspection :	<input type="checkbox"/> Utilisateur	<input type="checkbox"/> Personne compétente	Résultat global de l'inspection :	
Inspecté par :			Date d'inspection :	
Signature :			Prochaine inspection prévue le :	
Remarques supplémentaires :				

Homologations

Votre produit est conforme aux normes nationales ou régionales mentionnées sur la couverture de ces instructions. La certification et la conformité peuvent être limitées à des modèles de produits ou à des applications individuels.

Pour plus d'informations sur les exigences de certification ou de conformité, reportez-vous aux normes et réglementations applicables répertoriées pour votre produit.

Les utilisateurs soumis aux normes AS/NZS doivent consulter AS/NZS 1891.4 pour connaître les exigences de sélection, d'utilisation, de maintenance et de formation.

<p>BSI Certified Product Norme AS/NZS 5532-2013 Licence : BMP 678539</p>	<p>BSI – Head Office Suite 1, Level 1, 54 Waterloo Road Macquarie Park, NSW, 2113 Australia</p>	
--	---	---

Garantie globale du produit, recours limité et limitation de responsabilité

Garantie : Ce qui suit remplace toutes les garanties ou conditions, explicites ou implicites, y compris les garanties ou conditions implicites de qualité marchande ou d'adéquation à un usage particulier.

Sauf indication contraire des lois locales, les produits de protection contre les chutes de 3M sont garantis contre les défauts de fabrication et de matériau pendant une période de un (1) an à partir de la date d'installation ou de la première utilisation par le propriétaire d'origine du produit.

Limite de recours : Sur réception d'un avis écrit, 3M réparera ou remplacera tout produit qu'elle jugera comme présentant un défaut de fabrication ou de matériaux. 3M se réserve le droit d'exiger que le produit soit retourné à son établissement aux fins d'évaluation des réclamations au titre de la garantie. Cette garantie ne couvre pas les dommages du produit liés à l'usure, aux abus, à la mauvaise utilisation, aux dommages liés aux transports, au manque d'entretien du produit ou tout autre dommage indépendant du contrôle de 3M. 3M sera l'unique juge de la condition du produit et des options de la garantie.

La présente garantie s'applique uniquement à l'acheteur d'origine et elle seule s'applique sur les produits de protection contre les chutes de 3M. Veuillez communiquer avec le Service à la clientèle de 3M de votre région pour obtenir de l'aide.

Limite de responsabilité : Dans la mesure permise par les lois locales, 3M n'est pas responsable des dommages indirects, accessoires, spéciaux ou consécutifs, y compris, mais sans s'y limiter, la perte de profits, liés de quelque manière que ce soit aux produits, quelle que soit la théorie juridique invoquée.

3M™ DBI-SALA® - בסיס דווית להרכבה על קיר

הוראות למשתמש

מספר טופס: 5903663, Revision: F

מוצר זה מאושר לפי התקנים והתקנות הבאים או תואם להם. האישורים והתאימות עשויים להיות מוגבלים לדגמי מוצרים או יישומים אינדיבידואליים. לקבלת מידע נוסף, ראה *אישורים*.

- 1926.502, OSHA 29 CFR 1910.140
- EN 795:2012 (סוג A)
- CEN/TS 16415:2013 (סוג A)
- EN 1496:2006 (סעיף 4.6)
- AS/NZS 5532:2013

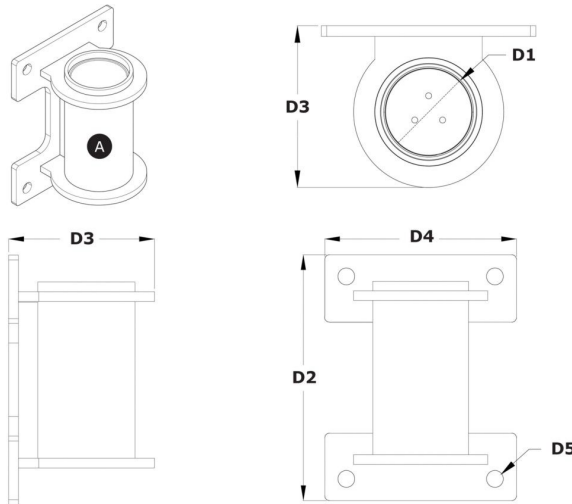
⚠ WARNING:

לזיהוי קודי מוצר, עיין בטבלאות מפרט המוצר. עיין ב"סקירה כללית של המוצר" לקבלת מידע נוסף על המוצר.

ייתכן שרכיבים מסוימים לא יאושרו בנפרד וייתכן שתידרש הרכבה כדי לעמוד בדרישות האישור.

איור 1 - סקירת המוצר

משקל המוצר	D5	D4	D3	D2	D1	סגנון	דגם
15.7 ק"ג (34.0 ליברות)	22.2 מ"מ (0.88 אינץ')	25.4 ס"מ (10.0 אינץ')	19.0 ס"מ (7.5 אינץ')	32.4 ס"מ (12.75 אינץ')	10.2 ס"מ (4.0 אינץ')	A	8000101
15.7 ק"ג (34.0 ליברות)	22.2 מ"מ (0.88 אינץ')	25.4 ס"מ (10.0 אינץ')	19.0 ס"מ (7.5 אינץ')	32.4 ס"מ (12.75 אינץ')	10.2 ס"מ (4.0 אינץ')	A	8000102



לפני השימוש במוצר זה, עליך לקרוא ולהבין את כל המידע בנושא בטיחות הכלול בהוראות אלו ולפעול בהתאם לו. אי הקפדה על כך עלולה להוביל לפגיעה חמורה או מוות. יש למסור את ההוראות האלה למי שמשתמש בציוד. יש לשמור את ההוראות הללו לצורך עיון בעתיד.

מידע בנושא בטיחות	טופס: 5908277, מהדורה: B
--------------------------	---------------------------------

שימוש מיועד

מוצר זה משמש כחלק ממערכת מלאה להגנה מפני נפילה.

השימוש בכל יישום אחר, לרבות, אך לא רק, טיפול לא מאושר בחומרים, פעילויות פנאי או ספורט או פעילויות אחרות שאינן מתוארות בהוראות אלה, אינו מאושר על ידי 3M ועלול לגרום לפגיעה חמורה או למוות.

השימוש במוצר מותר אך ורק למשתמשים שעברו הדרכה בנושא יישומים במקום העבודה.

⚠ אזהרה

מוצר זה משמש כחלק ממערכת מלאה להגנה מפני נפילה.

כל המשתמשים נדרשים לעבור הדרכה מלאה בנושא התקנה ותפעול בטוחים של המערכת המלאה להגנה מפני נפילה שבה הם משתמשים. שימוש לא נכון במוצר זה עלול להוביל לפגיעה קשה או למוות. לקבלת מידע בנושא בחירה, תפעול, התקנה, תחזוקה וטיפול נכונים, יש לעיין בכל המדריכים למשתמש והמלצות היצרן. כדי לקבל מידע נוסף, פנה לממונה שלך או צור קשר עם מחלקת השירות הטכני של 3M.

• כדי לצמצם את הסיכונים הכרוכים בשימוש במערכת הצלה בכניסה לחלל מוקף, שאי-מניעתם עלולה לגרום לפגיעה קשה ואף למוות:

- יש לבדוק את המוצר לפני כל שימוש ואחרי כל אירוע נפילה, בהתאם להליכים המפורטים בהוראות אלו.
- אם בבדיקה מתגלה מצב לא בטיחותי או פגם, יש להוציא את המוצר משימוש באופן מיידי ולסמן אותו בצורה בולטת באמצעות הכיתוב "לא לשימוש". השמד את המוצר או תקן אותו, כנדרש לפי הוראות אלו.
- יש להוציא מיד משימוש כל מוצר שעבר בלימת נפילה או שהופעל עליו כוח פתאומי. השמד את המוצר או תקן אותו, כנדרש לפי הוראות אלו.
- אם מערכות להגנה מפני נפילה מכילות רכיבים שיוצרו על ידי יצרנים שונים, יש לוודא שהן תואמות לכל התקנות והתקנים הרלוונטיים ועומדות בכל הדרישות הרלוונטיות בנושא הגנה מפני נפילה. תמיד יש להתייעץ עם גורם מוסמך לפני השימוש במערכות אלה.
- יש להתקין את המוצר אך ורק לפי התיאורים במדריכים למשתמש אלו. התקנות ושימוש מחוץ לתחום שמפורט במדריכי הוראות אלה חייבים להיות מאושרים בכתב על ידי 3M.
- חברת-מערכות להגנה מפני נפילה אך ורק לנקודות החיבור לעיגון המיועדות לכך במוצר.
- לפני ההתקנה, יש לוודא ששיטות ההתקנה והמוצר לא גורמים לשיבושים בפעולתם של קווי חשמל, צינורות גז או מערכות או חומרים חיוניים אחרים.
- יש לוודא שהמוצר מוגדר ומותקן בצורה שמתאימה לתפעול בטיחותי, כמתואר בהוראות אלו.
- אין לפתל את כבל האבטחה, לקשור אותו או לאפשר לו לא להיות מתוח לחלוטין.
- אין לחרוג מהמספר המותר של המשתמשים המפורט בהוראות אלו.
- יש להקפיד על זהירות במהלך התקנת המוצר, השימוש במוצר או העברת המוצר ממקום למקום, מאחר שחלקים נעים עלולים להוביל ליצירת נקודות צביטה.
- יש להקפיד על נהלי נעילה/תיגו כאשר הם רלוונטיים.
- אין להתחבר למערכת במהלך הובלתה או התקנתה.

• לצמצום הסיכונים הכרוכים בעבודה בגובה, שאי-מניעתם עלולה להוביל לפגיעה קשה או למוות:

- מצבר הגופני והבריאותי חייב לאפשר לך לעבוד בבטחה בגובה ולעמוד בכל הכוחות הקשורים לאירוע בלימת נפילה. פנה לרופא אם יש לך שאלות בנוגע ליכולת שלך להשתמש בציוד זה.
- אסור לחרוג מהקיבולת המותרת של הציוד להגנה מפני נפילה.
- אסור לחרוג מהערך המרבי של מרחק הנפילה החופשית שמצוין עבור הציוד להגנה מפני נפילה.
- אין להשתמש בכל ציוד להגנה מפני נפילה אשר נכשל בבדיקה או אם יש לך חששות בנוגע לשימוש בציוד או למידת ההתאמה של הציוד. לכל שאלה, צור קשר עם שירות הלקוחות של 3M.
- שילובים מסוימים של תת-מערכות ורכיבים עלולים להפריע לתפעול ציוד זה. יש להשתמש רק בחיבורים המתאימים. פנה לשירות הלקוחות של 3M לפני השימוש בציוד זה בשילוב עם רכיבים או תת-מערכות אשר אינם מתוארים בהוראות אלו.
- יש לנהוג משנה זהירות בעת עבודה בקרבת מכוונות נעות, סיכוני חשמל, טמפרטורות קיצוניות, סיכונים כימיים, גזים נפיצים או רעילים, קצוות חדים, משטחים מחומר שוחק או מתחת לחומרים הממוקמים בגובה שעלולים ליפול עליך או על הציוד להגנה מפני נפילה.
- יש לוודא שהשימוש במוצר מתבצע בהתאם לתקנות בנוגע לסכנות שקיימות בסביבת העבודה שלך.
- יש לוודא שקיים מרווח נפילה הולם במהלך עבודה בגובה.
- אין לבצע שינויים כלשהם בציוד להגנה מפני נפילה. רק 3M או גורמים שקיבלו ממנה אישור בכתב רשאים לתקן ציוד של 3M.
- לפני השימוש בציוד להגנה מפני נפילה, יש לוודא שקיימת תוכנית חילוץ בכתב לצורך חילוץ מיידי אם מתרחש אירוע נפילה.
- אם מתרחש אירוע נפילה, יש לוודא שהעובד שנפל מקבל סיוע רפואי מיידי.
- יש להשתמש אך ורק ברתמת גוף מלאה לצורך יישומי בלימת נפילה. אין להשתמש בחגורת גוף.
- כדי לצמצם ככל האפשר את נפילות הנדנוד, יש לעבוד היישר מתחת לנקודת העיגון.
- חובה להשתמש במערכת משנית להגנה מפני נפילה במהלך השימוש במוצר זה לצורך אימונים. אין לחשוף את המתאמנים לסכנת נפילה לא מכוונת.
- יש לבלש ציוד מגן אישי הולם במהלך התקנת המוצר, השימוש במוצר או בדיקת המוצר.
- לעולם אין לעבוד מתחת למטען או עובד תלויים.
- יש לשמור על 100% קשירה בכל מצב.

סקירה כללית של המוצר

הקפד להשתמש במהדורה האחרונה של מדריך ההוראות של 3M. בקר בכתובת www.3m.com/userinstructions או פנה לשירות הלקוחות של 3M לקבלת מדריכי הוראות מעודכנים.

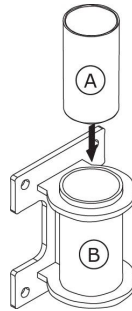
לפני השימוש בציוד זה, רשום את פרטי המוצר אשר רשומים בתווית המזהה שב'יומן הבדיקות והתחזוקה' בצדו האחורי של מדריך זה.

איור 1 ממחיש דגמי מוצרים זמינים. בסיסי דווית משמשים כחלק ממערכת הדווית המסייע לקבע אותה לקרקע. הדווית מקובעת לבסיס תוך שהיא משמשת כנקודת עיגון מתכווננת וניידת עבור המשתמש. עיין בהוראות היצרן לגבי דווית או מערכת דווית תואמת לקבלת מידע נוסף על יישומי מערכת.

איור 2 מציג מרכיבים מרכזיים של דגמי המוצרים הזמינים. בסיס הדווית מורכב משני חלקים: תוחם (A) ושרוול דווית (B). התוחם מאפשר לדווית מאובטח להסתובב בחופשיות בתוך שרוול הדווית. השרוול כולל לוח הרכבה מחובר לאבטחת בסיס הדווית למבנה.

לכל דגם מוצר יש מפרטים משלו כפי שנראה באיור 1. עיין בטבלאות מפרט המוצר למידע נוסף.

איור 2 - רכיבים



טבלאות מפרט המוצר

מפרטי מערכת

קיבולת משתמש:	עיין בהוראות היצרן עבור דגמי דוויית תואמים לקבלת מידע נוסף על קיבולת המערכת.
תקנים:	כל דגם מוצר מאושר או עומד בדרישות בהתאם לתקנים ולתקנות הרלוונטיים המפורטים באיור 1. אם לא מצוינים שם תקנים ותקנות, פירוש הדבר שחלים עליו כל התקנים והתקנות המפורטים על הכריכה.

מפרטי רכיבים

סימון באיור 2	רכיב	חומרים
A	תוחם	פוליפרופילן בצפיפות גבוהה
B	שרוול דוויית	8000101: פלדת פחמן מגולוונת
		8000102: פלב"מ

1.0 שימושי המוצר

1.1 מטרה: מערכות דווית משמשות כמבני עיגון ניידים למערכות הגנה מפני נפילה. המכלול והרכיבים ישתנו בהתאם למערכת. לקבלת מידע נוסף אודות יישומי מערכת, ראה "סקירה כללית של המוצר" ועיין בסעיפים אודות התקנה או שימוש.

1.2 פיקוח: שימוש בציוד זה חייב להיעשות תחת פיקוח של גורם מוסמך. התקנה של ציוד זה חייבת להיעשות תחת פיקוח של גורם מוסמך. אדם מוסמך חייב לאשר שההתקנה עומדת בתקנות מקומיות ופדרליות. גם המיקום של בסיס הדווית והמהדקים חייבים לקבל אישור של אדם מוסמך.

1.3 מכירה חוזרת והפצה: אם מוצר זה נמכר בשנית מחוץ למדינת היעד המקורית, המוכר חייב לספק הוראות אלה בשפת המדינה שבה ייעשה שימוש במוצר.

1.4 הדרכה: ההתקנה של ציוד זה והשימוש בו חייבים להתבצע על-ידי אנשים שעברו הדרכה לגבי היישום הנכון שלו. הוראות אלו נועדו לשמש כחלק מתוכנית הדרכה לעובדים, כנדרש על-פי תקנים לאומיים, אזוריים או מקומיים. המשתמשים והמתקינים של ציוד זה אחראים לוודא שהם מבינים הוראות אלה, מיומנים בטיפול ובשימוש הנכון של ציוד זה ומכירים את מאפייני התפעול שלו, מגבלות היישום וההשלכות של שימוש לא נכון בו.

1.5 תוכנית הצלה: אם נעשה שימוש בציוד זה ובתת-מערכות לקשירה, על המעסיק להכין תוכנית הצלה בכתב ואת האמצעים ליישומה. בנוסף, עליו למסור את פרטי התוכנית למשתמשים, לאנשים המורשים ולאנשי הצלה. מומלץ שיימצא צוות חילוץ מאומן באתר. יש לספק לחברי הצוות את הציוד ואת הטכניקות הדרושים לביצוע חילוץ מוצלח. על מנת להבטיח את מיומנות המחלצים, חובה לספק הדרכות תקופתיות. צוות החילוץ צריך לקבל הוראות אלה. בכל שלב בתהליך החילוץ, צריך להיות קשר עין או אמצעי תקשורת אחר עם האדם המחולץ.

2.0 דרישות המערכת

2.1 עיגון: מבנה העיגון המאבטח את המוצר הזה חייב להיות מסוגל לעמוד בכל העומסים הנדרשים כפי שמתירה מערכת ההגנה שלו מפני נפילה. ראה סעיף 4 לקבלת מידע נוסף.

2.2 קיבולת: קיבולת המשתמש של מערכת הגנה מלאה מפילה מוגבלת על ידי רכיב הקיבולת המקסימלית הנמוכה ביותר שלה. לדוגמה, אם הקיבולת של התת-מערכת לקשירה נמוכה מזו של הרתמה שלך, עליך לציית לדרישות הקיבולת של התת-מערכת לקשירה. כדי לקבל מידע לגבי דרישות הקיבולת, יש לעיין בהוראות היצרן של כל רכיב של המערכת.

2.3 גורמי סיכון סביבתיים: בעת שימוש בציוד זה באזורים שבהם קיימים גורמי סיכון סביבתיים, ייתכן שיידרשו אמצעי זהירות נוספים למניעת פגיעה במשתמש או נזק לציוד. גורמי סיכונים כוללים, בין היתר: חום, חומרים כימיים, סביבות עם חומרים מאכלים, קווי מתח גבוה, גזים נפיצים או רעילים, מכונות נעות, קצוות חדים או חומרים הנמצאים בגובה ועשויים ליפול ולבוא במגע עם המשתמש או הציוד. יש ליצור קשר עם שירות הלקוחות של 3M לברור נוסף.

2.4 סכנות הקשורות לכבל אבטחה (קו חיים): יש לוודא שכבל האבטחה (קו החיים) לא יוצר סיכונים כלשהם, כולל, בין היתר: הסתככות עם משתמשים, עובדים אחרים, חלקי מכונות נעים, חפצים אחרים בסביבה או פגיעה מחפצים שנמצאים בגובה ועלולים ליפול על כבל האבטחה או המשתמשים.

2.5 תאימות הרכיב: הציוד של 3M מיועד לשימוש עם ציוד של 3M. שימוש בציוד שאינו של 3M חייב להיעשות תחת פיקוח של אדם מוסמך. השימוש בתחליפים שנוצרו עם ציוד שאינו מאושר עלול לסכן את תאימות הציוד ולהשפיע על בטיחות מערכת ההגנה מפני נפילה ועל אמינותה. קרא את כל ההוראות והאזהרות הנוגעות לכל הציוד לפני השימוש וציית להן.

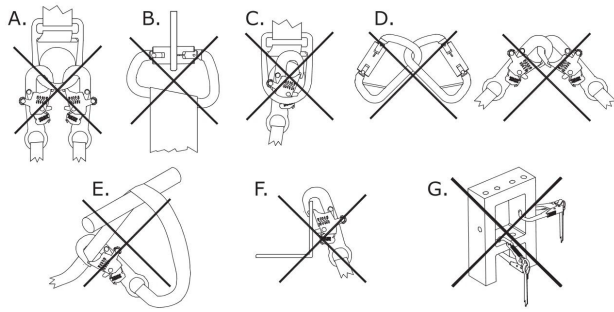
2.6 תאימות המחבר: המחברים תואמים לרכיבי הקשירה כאשר הגודל והצורה של כל אחד מהרכיבים לא גורמים למחבר להיפתח בצורה לא מכוונת, בלי קשר לאוריינטציה שלהם. המחברים חייבים לציית לתקנים הרלוונטיים. המחברים חייבים להיות סגורים לחלוטין ונעולים במהלך השימוש.

מחברי 3M (קרסים קפיציים וקרבינרים) מיועד לשימוש רק באופן המפורט בכל מדריך הוראות. ודא שהמחברים תואמים לרכיבי המערכת שאליהם הם מחוברים. אין להשתמש בציוד שאינו תואם. שימוש ברכיבים לא תואמים עלול לגרום למחבר להתנתק בצורה בלתי מכוונת. ראה איור לעיון. אם הרכיב המתחבר שאליו צמוד המחבר הוא קטן מדי או בעל צורה חריגה, ייתכן מצב שבו הרכיב המתחבר מפעיל כוח על השער של המחבר (A). הכוח הזה עלול לגרום לשער להיפתח (B), תוך ניתוק המחבר מהרכיב המתחבר (C).

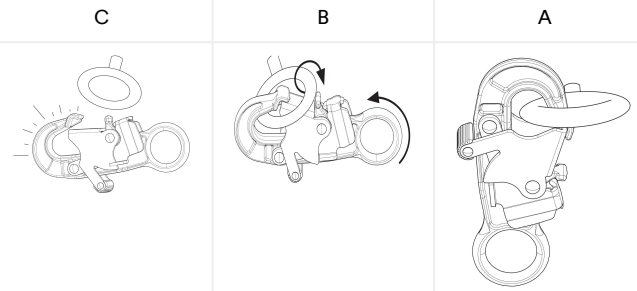
2.7 ביצוע החיבורים: כל החיבורים חייבים להיות תואמים מבחינת הגודל, הצורה והחוזק. לדוגמאות לחיבורים שגויים, ראה איור. אין לחבר ויים קפיציים וטבעות:

1. לטבעת D שאליה כבר מחובר מחבר אחר.
2. באופן שיוביל לעומס על השער. אין לחבר קרסים קפיציים עם צוואר רחב לטבעות D או לרכיבים מתחברים אחרים, אלא אם חוזק הסוגר של הקרס הקפיצי הוא 16 קילו-ניוטון (3,600 ליברות-כוח) ומעלה.
3. בחיבור שגוי, הגודל או הצורה של המחבר או הרכיב המתחבר אינם תואמים, כך שללא אישור חזונית נראה שיש ביניהם חיבור מלא.
4. אחד לשני.
5. ישירות לרצועת החיזוק, לחבל הביטחון או לחומר הקשירה, אלא אם חיבור כזה מותר במפורש בהוראות היצרן.
6. לכל חפץ שגודלו או צורתו מונעים מהמחבר להיסגר לחלוטין ולהינעל או עלולים לגרום להתגלגלות החוצה של המחבר.
7. באופן שאינו מאפשר למחבר להתיישר כהלכה בזמן שהוא תחת עומס.

איור 4 - יצירת חיבורים



איור 3 - תאימות המחברים



3.0 התקנה

3.1 סקירה כללית: התקנת מערכת דוויית יכולה להיות הליך ארוך שכולל מספר שלבים. תכנון יעיל ומודעות לאתר העבודה ולציוד שלך עוזרים מאוד בהנעת תהליך בצורה חלקה ככל האפשר.

3.2 תכנון: תכנון את מערכת ההגנה שלך מפני נפילה לפני תחילת העבודה. עליך להביא בחשבון את כל הגורמים שעשויים להשפיע על הבטיחות שלך לפני הנפילה, במהלכה או אחריה. יש לקחת בחשבון את כל הדרישות והמגבלות שפורטו במסגרת הוראות אלו.

1. **קצוות חדים:** הימנע מעבודה במקום בו עשוי להתקיים מגע או חיכוך בין רכיבי המערכת לבין קצוות חדים חשופים ומשטחים שוחקים חשופים. כל הקצוות החדים והמשטחים השוחקים צריכים להיות מכוסים בחומר מגן.
2. **תאימות:** בעת התקנת המערכת, חשוב שתשתמש ברכיבים תואמים. כל דגם מוצר תואם לשימוש עם סט ספציפי של דגמי מוצר או עיצובים.

בסיס הדוויית עשוי גם לקבל כל הרחבות תורן הדוויית התואמות את הדוויית המפורטים.

הוראת משתמש לדוויית	דגמי דוויית תואמים
5908417	8000107
5908417	8000108
5908364	8000130
5908364	8000131

3.3 התקנת בסיס הדוויית: התקן את בסיס הדוויית בהתאם להוראות שסופקו עבור דגם המוצר שלך.

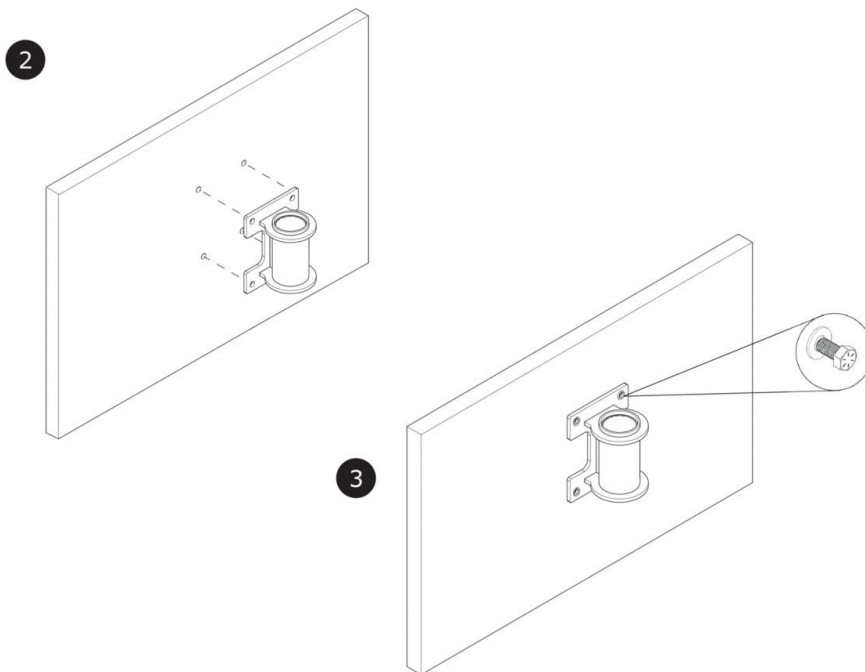
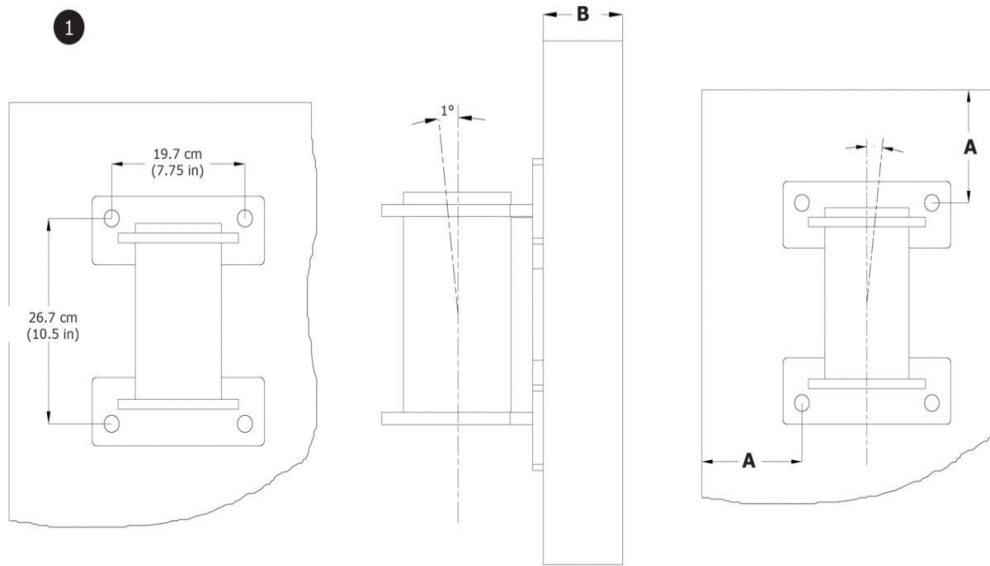
יש לפנות את פני השטח של מבנה העיגון מכל פסולת לפני התקנת בסיס הדוויית.

A. **בסיס דוויית להרכבה על קיר:** יש להכין את בסיס הדוויית לפני השימוש.

1. **הכן את המיקום.** בחר משטח הרכבה מתאים כדי להתקין את בסיס הדוויית, ולאחר מכן קבע היכן יש להתקין את הבסיס. חייב להיות מספיק מרווח מהקצה (A) ועובי החומר (B) כדי לתמוך בדרישות החוזק עבור המבנה והמערכת. סמן ולאחר מכן קדח את כל חורי ההרכבה לקוטר ולעומק המומלצים על ידי יצרן המהדקים.

בסיס הדוויית חייב להיות מותקן על משטח שטוח מאונך.

2. **מקם את בסיס הדוויית.** מקם את החורים בלוח ההרכבה בהתאמה לחורים שנקדחו. בסיס הדוויית חייב להיות ממוקם בערך מעלה אחת מהאנך.
3. **אבטח את בסיס הדוויית.** אבטח את בסיס הדוויית באמצעות המהדקים שנבחרו, כמפורט בהוראות היצרן של המהדקים.



3.4 קיבוע הדוויית: לאחר התקנת בסיס הדוויית, המשתמש יכול לקבע את זרוע הדוויית או תורן הדוויית לבסיס. יש לקבע את הדוויית לעמוד ההרכבה או בתוך השרוול של בסיס הדוויית, בהתאם לבסיס הדוויית שבו אתה משתמש. ודא שהדוויית מקובעת ושכל המובילים או פני הנעילה נמצאים בשימוש הולם. לקבלת מידע נוסף בנושא הדוויית ומערכת הדוויית, עיין בהוראות היצרן.

4.0 שימוש

4.1 לפני כל שימוש: ודא שאזור העבודה ומערכת ההגנה מפני נפילה עומדים בכל הקריטריונים המוגדרים בהוראות אלה. ודא שקיימת תוכנית הצלה רשמית. יש לבדוק את המוצר לפי נקודות הבדיקה של 'משתמש' המוגדרות ב"יומן בדיקה ותחזוקה". אם במהלך בדיקה של המוצר מתגלים תנאים לא בטיחותיים או פגמים, או אם מתעורר ספק לגבי שימוש בטוח בו, הוצא אותו מיד משימוש. יש לסמן את המוצר בצורה ברורה עם הכיתוב "לא לשימוש". ראה סעיף 5 לקבלת מידע נוסף.

4.2 עיגון: בנוסף לקיבולת המוצר, כל מערכת ההגנה מפני נפילה חייבת לקחת בחשבון את החוזקות של כל מבנים או רכיבים תומכים.

1. **מבנה עיגון:** מבנה העיגון המקבע מוצר זה חייב להיות מסוגל לעמוד בכל העומסים הנדרשים, כפי שמתירה מערכת ההגנה מפני נפילה של המוצר.

עומס מומנט	136,400 אינץ' ליברות (15.41 kN*m)
------------	-----------------------------------

2. **נקודות חיבור לעיגון:** נקודות חיבור לעיגון הנמצאות בשימוש עם המוצר חייבות להיות מסוגלות לעמוד בכל העומסים המופעלים על-ידי המוצר.

3. **מהדקים:** כל המהדקים המקבעים את המוצר במקומו חייבים להיות חזקים מספיק כדי לשמור על קיבוע המוצר במהלך השימוש. למידע נוסף, עיין בהוראות של יצרן המהדקים.

כוח משיכה של המהדק	8,000 ליברות-כוח (35.59 קילו-ניוטון)
חוזק הגזירה לכל מהדק	5,000 ליברות-כוח (22.2 קילו-ניוטון)

4.3 אחרי נפילה: אם ציוד זה נתון לעוצמת בלימת נפילה או לעוצמת פגיעה, הוצא אותו משירות מיד. יש לסמנו בצורה ברורה בכיתוב "לא לשימוש". ראה סעיף 5 לקבלת מידע נוסף.

4.4 טיפול בחומרים: 3M מתירה שימוש במוצר זה לטיפול בחומרים בהתאם להוראות. תקנות או תקנים מקומיים עשויים לכלול הגבלות נוספות או עשויים להסדיר את השימוש בציוד למניעת נפילה לצורך טיפול בחומרים.

⚠ CAUTION:

יש להשתמש במוצר זה עם דויות תואם כדי להשתמש בו לטיפול בחומרים. לעולם אין לאבטח מטען חומר ישירות על בסיס הדויות.

לפני קיבוע מטען החומר שלך, ודא שהוא הוכן להובלה.

לעולם אל תאבטח מוצר זה לחומרים ולמשתמשים בו-זמנית.

מוצר המשמש לטיפול בחומרים חייב להיבדק על ידי גורם מוסמך לפני השימוש הבא בו. תקנות או תקנים מקומיים עשויים להגביל את המעבר בין שימוש בכוח אדם לטיפול בחומרים.

1. **אבטח את הדויות.** אבטח את הדויות לבסיס הדויות כמפורט בהוראות למשתמש.
2. **אבטח את מערכת המשנה המחברת לדויות.** למידע נוסף, יש לעיין בהוראות היצרן של הדויות.
3. **אבטח את ה-lifeline למטען החומר.** הנמך או הגבה את מטען החומר לפי הצורך.

קיבולת טיפול בחומרים	340 ק"ג (750 ליברות)
----------------------	----------------------

5.0 בדיקה

לאחר הוצאת ציוד משירות, לא ניתן להחזיר אותו לשירות עד שגורם מוסמך מאשר בכתב כי ניתן לעשות זאת.

5.1 תדירות הבדיקות: יש לבדוק את המוצר לפני כל שימוש על-ידי המשתמש וגם על-ידי גורם מוסמך אחר בנוסף למשתמש, במרווחי זמן המצוינים להלן. אם נעשה שימוש בציוד בתנאים קשים יותר ובתדירות גבוהה יותר, ייתכן שיהיה צורך להגדיל את תדירות הבדיקות שמתבצעות על-ידי גורם מוסמך. תדירות הבדיקות האלו צריכה להיקבע על-ידי הגורם המוסמך, בהתאם לתנאים הספציפיים באתר העבודה.

התקן או האזור הרלוונטיים	תדירות הבדיקות הנדרשת על-ידי גורם מוסמך
OSHA-i ANSI	אחת לשנה

תקני EN	אחת לשנה
AS/NZS	אחת לשנה

5.2 נוהלי בדיקה: בדוק את המוצר לפי הנהלים הרשומים ב"יומן הבדיקות והתחזוקה". התיעוד מכל בדיקה צריך להימצא בידי הבעלים של ציוד זה. יומן הבדיקות והתחזוקה צריך להימצא ליד המוצר או בכל מיקום אחר שבו משתמשים יכולים לגשת אליו בנוחות. מומלץ לסמן על המוצר את התאריך של הבדיקה הבאה או הקודמת.

5.3 פגמים: אם לא ניתן להחזיר את המוצר לשירות בגלל פגם קיים או מצב לא בטיחותי, יש להשמיד את המוצר או לשלוח אותו ל-3M או למרכז שירות מורשה של 3M לתיקון.

5.4 אורך חיי המוצר: אורך החיים התפקודי של המוצר נקבע על פי תנאי העבודה והתחזוקה. כל עוד המוצר עומד בקריטריונים של הבדיקה, ניתן להמשיך להשתמש בו.

6.0 תחזוקה, אחסון ותיקונים

אם ציוד מצריך תחזוקה או אם נקבע לו מועד לביצוע תחזוקה, יש לסמנו עם הכיתוב "לא לשימוש". אין להסיר את הסימונים האלו מהציוד לפני השלמת התחזוקה.

6.1 ניקוי: יש לנקות את רכיבי המתכת של המוצר במים ותמיסת סבון עדינה מעת לעת. יש לשטוף את המוצר במים נקיים ולאחר מכן להניח לו להתייבש באוויר. לקבלת מידע נוסף, עיין בעלון הטכני באתר האינטרנט שלנו: <https://www.3M.com/FallProtection/Mechanical-Device-Cleaning>

6.2 תיקון: רק ל-3M ולגופים המאושרים בכתב על-ידי 3M מותר לבצע תיקונים בציוד זה.

6.3 אחסון והובלה: אחסן והובל את המוצר בסביבה קרירה, יבשה ונקייה, הרחק מאור שמש ישיר. הימנע מאזורים שבהם עשויים להימצא אדי כימיקלים. בדוק היטב את הרכיבים לאחר אחסון ממושך.

אין להוציא בסיסים המותקנים באופן קבוע מאתר העבודה. ניתן להוציא רכיבים אחרים מבסיסים אלה לצורך אחסון או הובלה, אך הבסיס חייב להישאר.

⚠️ WARNING:

מעברים פתאומיים בין סביבות חמות וקרורות במיוחד עלולים להשפיע על ביצועי הציוד. מכשירים מכניים (כגון מנגנוני החזרה, כננות, מנגנוני משיכה, שרולי טיפוס וכו') צריכים להיות מותאמים לשימוש בקור או בחום קיצוניים על-ידי אחסוןם בטמפרטורות דומות לסביבת העבודה. תמיד יש לבצע בדיקה לפני השימוש בציוד בסביבת העבודה שלו לפני השימוש בו.

7.0 תוויות וסימונים

7.1 סיכום: האיור "תוויות מוצר" מציג תוויות וסימונים הקיימים על המוצר. ראה להלן לסיכום של המידע המסופק לכל תווית ולכל סימון.

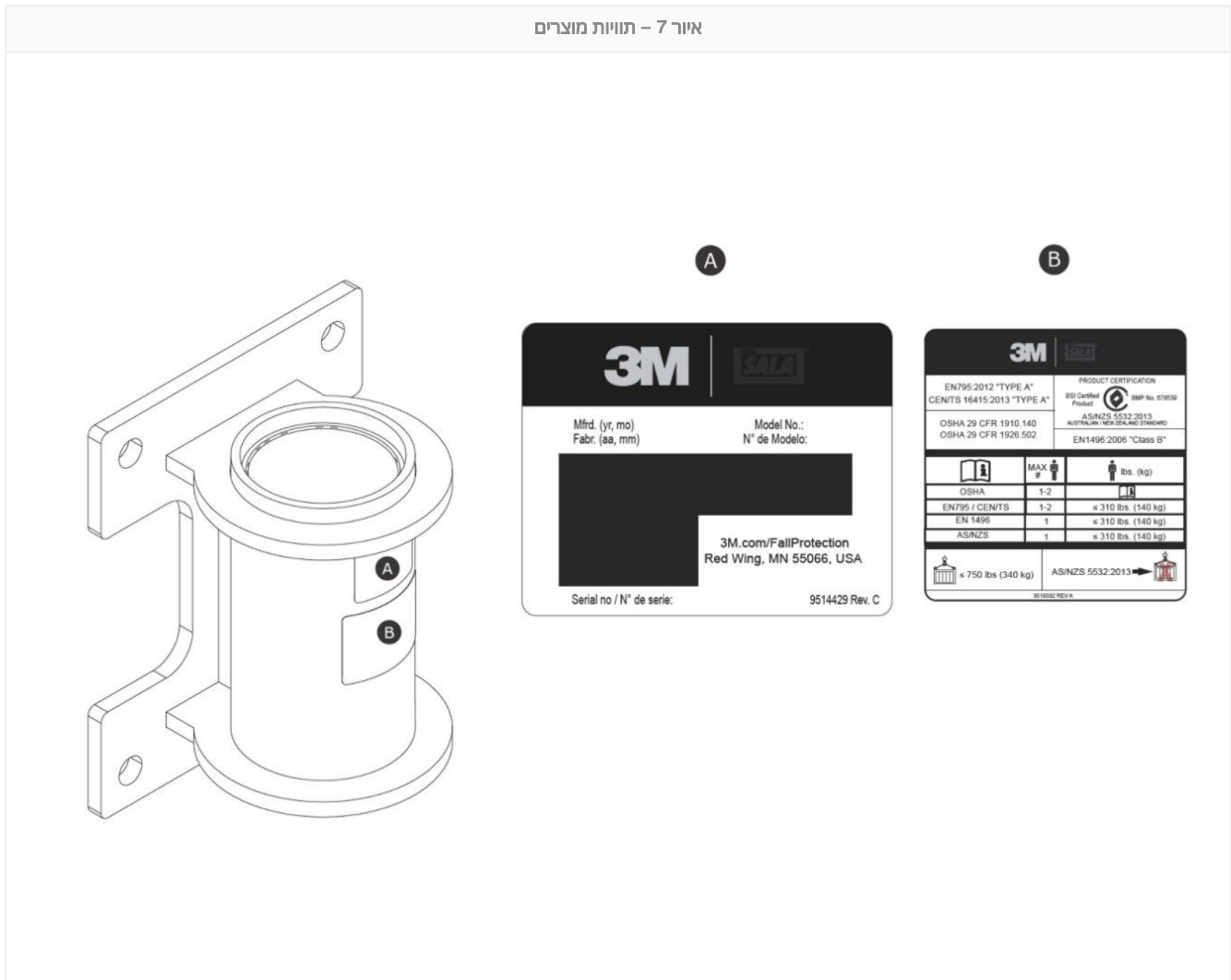
:NOTICE

תמונות התוויות נועדו להיות מייצגות. עיין בתוויות המוצר שלך לקבלת מידע ספציפי.

יש להחליף תוויות חסרות או פגומות. כל התוויות חייבות להיות קריאות במלואן.

תווית מפרט המוצר	A
תווית זיהוי	B

איור 7 – תוויות מוצרים



מילון מונחים

הגדרות: המונחים וההגדרות הבאים נמצאים בשימוש בהוראות אלו:

כדי לעיין ברשימה המלאה של המונחים וההגדרות, ניתן לבקר באתר שלנו: www.3m.com/FallProtection/ifu-glossary

- **אדם מורשה:** אדם שהוסמך על-ידי המעסיק לביצוע עבודות במקום שבו אותו אדם יהיה חשוף לסכנת נפילה.
- **גורם מוסמך:** אדם המסוגל לזהות סיכונים קיימים וצפויים בסביבה או תנאי עבודה שאינם סניטריים, תנאי עבודה מסוכנים או תנאי עבודה המסכנים עובדים, ובעל סמכות לנקוט צעדי תיקון מידיים לנטרול שלהם.
- **מערכת למניעת נפילה:** אוסף של ציוד הגנה מפני נפילה המוגדר להגן על המשתמש במקרה של נפילה.

- **אדם מוסמך:** אדם בעל תואר, תעודה או מעמד מקצועי מוכרים, או אדם שבעזרת ידע, הכשרה וניסיון מקיפים הוכיח בהצלחה את יכולתו לפתור בעיות הקשורות למערכות הגנה מפני נפילה ומערכות הצלה במידה הנדרשת על-ידי התקנות הלאומיות, האזוריות והמקומיות החלות.
- **מערכת הצלה:** אוסף של ציוד הגנה מפני נפילה המוגדר להרחיק אדם מסכנות ולאפשר לו להגיע למקום בטוח. נפילה חופשית אינה מותרת.
- **איש הצלה:** אדם שמשמש במערכת ההצלה כדי לבצע חילוץ עם ציוד עזר.
- **מערכת ריסון:** אוסף של ציוד הגנה מפני נפילה המוגדר למנוע מהמשתמש להגיע לכדי סכנת נפילה. נפילה חופשית אינה מותרת.
- **משתמש:** אדם שמבצע פעילויות בזמן שהוא מוגן על-ידי מערכת הגנה מפני נפילה.
- **מערכת מיקום לצורך ביצוע עבודה:** אוסף של ציוד הגנה מפני נפילה המוגדר לתמוך במשתמש במיקום בעת עבודה.

יומן בדיקות ותחזוקה

יש להשתמש בעותק של טבלה זו לכל בדיקה. רשום את המידע שלהלן.

יצרן: הגנה מפני נפילה של 3M

מספר דגם (מספר סידורי):

תאריך שימוש ראשון:

תאריך רכישה:

מוצר זה חייב להיבדק על-ידי המשתמש לפני כל שימוש. כמו כן, גורם מוסמך שאינו המשתמש צריך לבדוק ציוד זה במרווחי הזמן המפורטים בסעיף 5.

רכיב	הליך הבדיקה	תוצאת הבדיקה (עבר או נכשל)
מוצר (איור 2)	בדוק את בסיס הדווית לאיתור נזק, עיוות, קורוזיה וחלודה. חפש סדקים, התעקמות, שקעים או שחיקה שעלולים להשפיע על החוזק של המערכת ועל פעולתה. בעת בדיקת קורוזיה, עליך לבדוק גם את התקן העוגן, את הקיבועים או המהדקים שלו ואת המבנה שאליו מאובטח התקן העוגן. בדוק את כל המחברים לאיתור נזקים או קורוזיה. הדק אותם במידת הצורך.	
	בדוק את כל החלקים הנעים לאיתור שבבים, סדקים, שברים או אזורים שחוקים שעלולים לגרום לתקלה במהלך הפעולה.	
תוויות	כל התוויות נמצאות וניתן להבין אותן בצורה מלאה.	
הציוד להגנה מפני נפילה	ציוד נוסף להגנה מפני נפילה הנמצא בשימוש עם המוצר מותקן ונבדק בהתאם להוראות היצרן. ודא שדירוג החוזק עבור כל אחד מהמוצרים תואם ומספיק עבור היישום המיועד.	

סיכום בדיקת המוצר

אם המוצר נכשל בהליך בדיקה כלשהו, הוא נכשל גם בבדיקה הכוללת. אם המוצר נכשל בבדיקה, יש להוציא אותו משימוש באופן מיידי. יש לסמן את המוצר בצורה ברורה עם הכיתוב "לא לשימוש". ראה סעיף 5 לקבלת מידע נוסף.

סוג הבדיקה:	<input type="checkbox"/> משתמש	<input type="checkbox"/> גורם מוסמך	תוצאת הבדיקה הכוללת:
נבדק על-ידי:	תאריך הבדיקה:		
חתימה:	מועד הבדיקה הבאה:		
הערות נוספות:			

המוצר תואם לתקנים הלאומיים או האזוריים שמפורטים בכריכה הקדמית של הוראות אלה. האישורים והתאימות עשויים להיות מוגבלים לדגמי מוצרים או שימושים אינדיבידואליים.

לקבלת מידע נוסף על דרישות האישור או ההתאמה, עיין בתקנים ובתקנות הרלוונטיים המפורטים עבור המוצר.

משתמשים הכפופים לתקני AS/NZS צריכים לעיין ב-AS/NZS 1891.4 לבירור דרישות בחירה, שימוש, תחזוקה והדרכה.



BSI - Head Office Suite 1, Level 1, 54
Waterloo Road Macquarie Park, NSW, 2113
Australia

מוצר באישור BSI
AS/NZS 5532:2013
רשיון: BMP 678539

אחריות גלובלית למוצר, סעד מוגבל והגבלת חבות

אחריות: התנאים שלהלן באים במקום כל אחריות או תנאי שנקבעו, בין אם מפורשים או משתמעים, לרבות כל אחריות או תנאים משתמעים לסחירות או להתאמה למטרה מסוימת.

אלא אם נקבע אחרת בחוקים המקומיים, על מוצרי 3M להגנה מפני נפילה חלה אחריות על פגמי ייצור בעבודה ובחומרים לתקופה של שנה אחת מיום ההתקנה או השימוש הראשון על ידי הרוכש המקורי.

סעד מוגבל: עם קבלת הודעה בכתב המופנית ל-3M, 3M תתקן או תחליף כל מוצר שעל פי החלטת 3M כולל פגם ייצור בעבודה או בחומרים. 3M שומרת את הזכות לדרוש שהמוצר יוחזר לאתר שלה לצורך הערכת תביעות אחריות. אחריות זאת אינה מכסה נזקים למוצר בגין בלאי, שימוש לרעה, שימוש בלתי הולם, נזקים במעבר, ליקויים בתחזוקת המוצר או כל נזק אחר שמעבר לשליטת 3M. ל-3M תהיה זכות החלטה בלעדית בנוגע למצב המוצר ולחלופות האחריות.

אחריות זאת חלה רק על הרוכש המקורי והיא מהווה את האחריות הבלעדית החלה על מוצרי 3M להגנה מפני נפילה. לקבלת סיוע נא להתקשר למחלקת שירות לקוחות של 3M באזור מגוריך.

הגבלת חבות: במידה הרבה ביותר המותרת בחוקים המקומיים, 3M לא תישא בשום חבות בגין נזק עקיף, מקרי, מיוחד או תוצאתי כלשהו, כולל, אך ללא הגבלה, אובדן רווחים בכל אופן שהוא בקשר למוצרים, ללא תלות בתורת המשפט שנטען לתחולתה.

Osnova sklopive kranske dizalice 3M™ DBI-SALA® koja se montira na zid

Korisničke upute

Broj obrasca: 5903663, Revizija: F

Ovaj je proizvod certificiran ili je u skladu sa sljedećim standardima i propisima. Certifikacija i sukladnost mogu biti ograničeni na pojedinačne modele proizvoda ili primjene. Dodatne informacije potražite u odjeljku *Certifikati*.

- OSHA 29 CFR 1910.140, 1926.502
- EN 795:2012 (tip A)
- CEN/TS 16415:2013 (vrsta A)
- EN 1496:2006 (odredba 4.6)
- AS/NZS 5532:2013

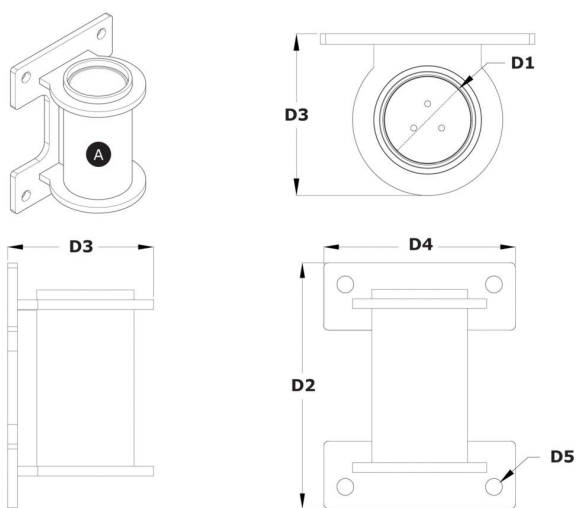
⚠WARNING:

Za identifikaciju šifri proizvoda pogledajte tablice specifikacija proizvoda. Pogledajte odjeljak Pregled proizvoda za više informacija o proizvodu.

Neke komponente možda neće biti certificirane pojedinačno i mogu zahtijevati sastavljanje kako bi se ispunili zahtjevi za certifikaciju.

Slika 1 – Pregled proizvoda

Model	Stil	D1	D2	D3	D4	D5	Težina proizvoda
8000101	A	10,2 cm (4,0 in)	32,4 cm (12,75 in)	19,0 cm (7,5 in)	25,4 cm (10,0 in)	22,2 mm (0,88 in)	15,7 kg (34,0 funte)
8000102	A	10,2 cm (4,0 in)	32,4 cm (12,75 in)	19,0 cm (7,5 in)	25,4 cm (10,0 in)	22,2 mm (0,88 in)	15,7 kg (34,0 funte)



Sigurnosne informacije

Pročitajte s razumijevanjem i pratite sve sigurnosne informacije iz ovih uputa prije uporabe proizvoda. NEPRIDRŽAVANJE UPUTA MOGLO BI DOVESTI DO OZBILJNIH OZLJEDA ILI SMRTI.

Korisnik opreme mora dobiti ove upute. Spremite upute za buduće korištenje.

Sigurnosne informacije

Obrazac: 5908277, Revizija: B

Namjena

Ovaj se proizvod upotrebljava kao dio kompletnog sustava zaštite od pada.

Tvrtka 3M ne odobrava uporabu opreme na neki drugi način, uključujući između ostalog, neodobreno rukovanje materijalom, rekreativne ili sportske aktivnosti ili druge aktivnosti koje nisu opisane u ovim uputama, jer bi takve uporabe mogle dovesti do ozbiljnih ozljeda ili smrti.

Ovaj je proizvod namijenjen isključivo za obučene korisnike i za uporabu u radnim okruženjima.

Upozorenje

Ovaj se proizvod upotrebljava kao dio kompletnog sustava zaštite od pada.

Svi korisnici moraju biti u potpunosti obučeni za sigurnu ugradnju i uporabu kompletnog sustava zaštite od pada. Neodgovarajuće korištenje ovog proizvoda moglo bi dovesti do teških ozljeda ili smrti. Za pravilan odabir, rad, ugradnju, održavanje i servis pogledajte sve upute za uporabu i preporuke proizvođača. Za više informacija obratite se svom nadređenom ili odjelu za tehničke usluge tvrtke 3M.

- **Kako bi se smanjile opasnosti povezane s uporabom sustava za ulaz/spašavanje u skućenim prostorima koje bi, ako se ne izbjegnemo, mogle uzrokovati teške ozljede ili smrt:**
 - Pregledajte proizvod prije svake uporabe i nakon pada u skladu s postupcima navedenim u ovim uputama.
 - Ako se tijekom pregleda ustanovi da je uređaj nesiguran ili ako se otkrije kvar, odmah povucite proizvod iz uporabe i označite ga jasnom oznakom „NE UPOTREBLJAVATI“. Uništite ili popravite proizvod u skladu s ovim uputama.
 - Svaki proizvod koji je bio izložen padu ili udarnoj sili potrebno je odmah povući iz uporabe. Uništite ili popravite proizvod u skladu s ovim uputama.
 - Pobrinite se da su sustavi za zaštitu od pada koji su sastavljeni od dijelova različitih proizvođača kompatibilni te da ispunjavaju sve važeće propise, standarde ili zahtjeve u pogledu zaštite od pada. Prije uporabe ovih sustava, uvijek potražite savjet stručne osobe.
 - Proizvod se smije postavljati samo kako je opisano u njegovim uputama za uporabu. Za postavljanje i uporabu koji nisu pokriveni ovim priručnicima s uputama potrebno je pismeno odobrenje tvrtke 3M.
 - Podsustave za zaštitu od pada pričvršćujte samo za naznačene spojne točke sidrišta na proizvodu.
 - Prije postavljanja provjerite hoće li način postavljanja i proizvod ometati električne vodove, plinske vodove ili druge važne materijale ili sustave.
 - Provjerite je li proizvod pravilno konfiguriran i montiran za siguran rad sukladno ovim uputama.
 - Nemojte uvijati, vezivati, vezati u čvor ili dopustiti da vam uže za spašavanje bude labavo.
 - Ne premašujte broj dopuštenih korisnika naveden u ovim uputama.
 - Budite oprezni pri ugradnji, korištenju i premještanju proizvoda jer pokretni dijelovi mogu stvoriti točke prignječenja.
 - Kad je primjenjivo, potrebno je pridržavati se postupaka blokade/označavanja.
 - Ne povežite se sa sustavom dok se prenosi ili postavlja.
- **U svrhu smanjenja opasnosti vezanih uz rad na visini koje bi, ukoliko ne budu izbjegnute, mogle dovesti do ozbiljnih ozljeda ili smrti:**
 - Vaše zdravlje i tjelesno stanje moraju biti odgovarajući za siguran rad na visini i izdržavanje svih sila povezanih s događajem zaustavljanja pada. Za sva pitanja vezana uz vašu sposobnost za korištenje ove opreme obratite se svom liječniku.
 - Nikad ne premašujte dopušteni kapacitet opreme za zaštitu od pada.
 - Nikad ne premašujte maksimalnu udaljenost slobodnog pada navedenu za opremu za zaštitu od pada.
 - Nemojte upotrebljavati opremu za zaštitu od pada koja nije prošla pregled ili ako imate nedoumice u vezi s uporabom ili prikladnošću opreme. Za sva pitanja obratite se korisničkoj službi tvrtke 3M.
 - Pojedine kombinacije podsustava i komponenata mogu ometati korištenje ove opreme. Upotrebljavajte samo kompatibilne spone. Obratite se korisničkoj službi tvrtke 3M prije uporabe ove opreme u kombinaciji s komponentama ili podsustavima koji nisu opisani u ovim uputama.
 - Poduzmite dodatne mjere opreza prilikom rada u blizini pokretnih strojeva, električnih opasnosti, ekstremnih temperatura, kemijskih opasnosti, eksplozivnih ili otrovnih plinova, oštih rubova, abrazivnih površina ili ispod tereta koji bi mogao pasti na vas ili na opremu za zaštitu od pada.
 - Provjerite je li proizvod ispitan za opasnosti koje su prisutne u vašem radnom okruženju.
 - Prilikom rada na visini, vodite računa o odgovarajućem odstojanju za pad.
 - Nikada ne pravite izmjene i preinake svoje opreme za zaštitu od pada. Opremu mogu popravljati isključivo tvrtka 3M ili osobe koje je tvrtka 3M za to ovlastila pisanim putem.
 - Prije uporabe opreme za zaštitu od pada provjerite je li sastavljen pisani plan spašavanja kako bi se osiguralo brzo spašavanje u slučaju pada.
 - U slučaju pada odmah zatražite liječničku pomoć za djelatnika koji je pao.
 - Upotrebljavajte samo pojas za cijelo tijelo za primjenu pri zaustavljanju pada. Nemojte upotrebljavati pojas za tijelo.
 - Minimizirajte padove s njihovim tako što ćete radove obavljati izravno ispod točke sidrišta ili što bliže tom položaju.
 - Prilikom obuke za rad s ovim proizvodom mora se upotrebljavati sekundarni sustav zaštite od pada. Djelatnici koji se obučavaju ne smiju biti izloženi opasnosti od slučajnog pada.
 - Uvijek nosite odgovarajuću osobnu zaštitnu opremu pri postavljanju, uporabi ili pregledu proizvoda.
 - Nikada nemojte raditi pod visećim teretom ili ispod radnika koji radi na visini.
 - Uvijek budite 100 % vezani.

Pregled proizvoda

Uvijek upotrebljavajte najnoviju verziju uputa za uporabu 3M proizvoda. Posjetite web-mjesto www.3m.com/userinstructions ili se obratite korisničkoj službi tvrtke 3M za ažurirane upute za uporabu.

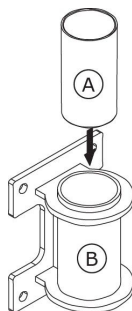
Prije korištenja ove opreme, zabilježite podatke o proizvodu s identifikacijske naljepnice u „Dnevniku pregleda i održavanja” na stražnjoj strani ovog priručnika.

Slika 1 prikazuje dostupne modele proizvoda. Osnove sklopive kranske dizalice služe kao dio sustava sklopive kranske dizalice koji pomažu pri njenom pričvršćivanju na tlo. Sklopiva kranska dizalica pričvršćena je za osnovu dok djeluje kao prilagodljiva, pomična točka sidrišta za korisnika. U uputama proizvođača za kompatibilnu sklopivu kransku dizalicu ili kompatibilan sustav sklopive kranske dizalice potražite više informacija o primjenama sustava.

Na slici 2 prikazane su glavne komponente dostupnih modela proizvoda. Osnova sklopive kranske dizalice sastoji se od dva dijela: obloga (A) i naglavak sklopive kranske dizalice (B). Obloga omogućuje pričvršćenju sklopivoj kranskoj dizalici da se slobodno okreće unutar naglavka sklopive kranske dizalice. Naglavak obuhvaća pričvršćenu montažnu ploču za pričvršćivanje osnove sklopive kranske dizalice na konstrukciju.

Svaki model proizvoda ima svoje specifikacije kao što je prikazano na slici 1. Pogledajte tablice sa specifikacijama proizvoda za više informacija.

Slika 2 – Komponente



Tablice sa specifikacijama proizvoda

Specifikacije sustava

Kapacitet korisnika:	Pogledajte upute proizvođača za kompatibilne modele sklopive kranske dizalice za više informacija o nosivosti sustava.
Standardi:	Svaki model proizvoda certificira se prema ili je u skladu s primjenjivim normama i propisima navedenima na slici 1. Ako ništa nije navedeno, primjenjuju se sve norme i propisi navedeni na naslovnici.

Specifikacije komponenti

Oznaka na slici 2	Komponenta	Materijali
A	Obloga	Polietilen visoke gustoće
B	Naglavak sklopive kranske dizalice	8000101: Pocinčani ugljični čelik
		8000102: Nehrđajući čelik

1.0 Primjena proizvoda

1.1 Namjena: sustavi sklopive kranske dizalice funkcioniraju kao pokretne sidrišne konstrukcije za sustave zaštite od pada. Sklop i komponente razlikovat će se ovisno o sustavu. Više informacija o primjenama sustava potražite u odjeljku „Pregled proizvoda” i svim odjeljcima o postavljanju ili uporabi.

1.2 Nadzor: uporabu ove opreme mora nadzirati stručna osoba. Montiranje ove opreme mora nadzirati kompetentna osoba. Kvalificirana osoba mora potvrditi da je oprema montirana u skladu s lokalnim i saveznim propisima. Pričvrstne elemente i postavljanje osnove sklopive kranske dizalice također mora odobriti kvalificirana osoba.

1.3 Preprodaja i distribucija: Ukoliko se ovaj proizvod preprodaje izvan izvorne odredišne zemlje, preprodavač ove upute mora izdati na jeziku zemlje u kojoj će se proizvod upotrebljavati.

1.4 Obuka: Ovu opremu moraju instalirati i upotrebljavati osobe obučene za njezinu ispravnu primjenu. Ove upute trebaju se koristiti kao dio programa obuke zaposlenika prema nacionalnim, regionalnim ili lokalnim standardima. Korisnici i montažeri opreme moraju se upoznati s ovim uputama, proći obuku o pravilnom održavanju i korištenju te poznavati radne karakteristike, ograničenja primjene i posljedice nepravilne primjene opreme.

1.5 Plan spašavanja: Kod korištenja opreme i povezanih podsustava, poslodavac mora imati pisani plan spašavanja i sredstva za provedbu i priopćavanje toga plana korisnicima, ovlaštenim osobama i spasiocima. Preporuča se osposobljeni spasilački tim na licu mjesta. Članovi tima moraju imati opremu te poznavati tehnike potrebne za uspješno spašavanje. Obuku treba obavljati periodično kako bi se osigurala stručnost spasilaca. Spasiocima je potrebno ustupiti ove upute. U svakom trenutku tijekom procesa spašavanja mora se održavati vizualni kontakt ili način komunikacije s osobom koja se spašava.

2.0 Preduvjeti sustava

2.1 Sidrište: struktura sidrišta koja pričvršćuje ovaj proizvod mora podnositi potrebno opterećenje koje je određeno za sustav zaštite od pada ovog proizvoda. Više informacija potražite u Odjeljku 4.

2.2 Kapacitet: kapacitet korisnika cijelog sustava zaštite od pada ograničen je kapacitetom komponente s najnižim maksimalnim nazivnim kapacitetom. Na primjer, ako vaš spojni podsustav ima kapacitet koji je manji od vašeg kablenskog snopa, morate se pridržavati zahtjeva za kapacitetom vašeg spojnog podsustava. Potrebni kapacitet svake komponente sustava potražite u uputama proizvođača.

2.3 Opasnosti okruženja: primjena opreme u opasnim okruženjima može zahtijevati dodatne mjere predostrožnosti za sprječavanje ozljeda korisnika ili oštećenja opreme. Opasnosti mogu između ostaloga uključivati: visoka temperatura, kemikalije, korozivna okruženja, visokonaponski strujni vodovi, eksplozivni ili toksični plinovi, pokretni strojevi, oštri bridovi ili materijali na visini koji mogu pasti i doći u kontakt s korisnikom ili opremom. Za dodatna pojašnjenja obratite se korisničkoj službi tvrtke 3M.

2.4 Opasnosti trake za spašavanje: pobrinite se da traka za spašavanje bude podalje od svih opasnosti, što obuhvaća, između ostalog, sljedeće: zaplitanje s drugim korisnicima, drugim radnicima, pokretnim strojevima, drugim okolnim predmetima ili udarcima predmeta iznad glave koji mogu pasti na sigurnosno uže ili korisnike.

2.5 Kompatibilnost komponenti: 3M oprema namijenjena je za uporabu s 3M opremom. Korištenje s opremom koja nije 3M mora odobriti nadležna osoba. Zamjene s neodobrenom opremom mogu ugroziti kompatibilnost opreme i utjecati na sigurnost i pouzdanost sustava zaštite od pada. Pročitajte i slijedite sve upute i upozorenja za svu opremu prije uporabe.

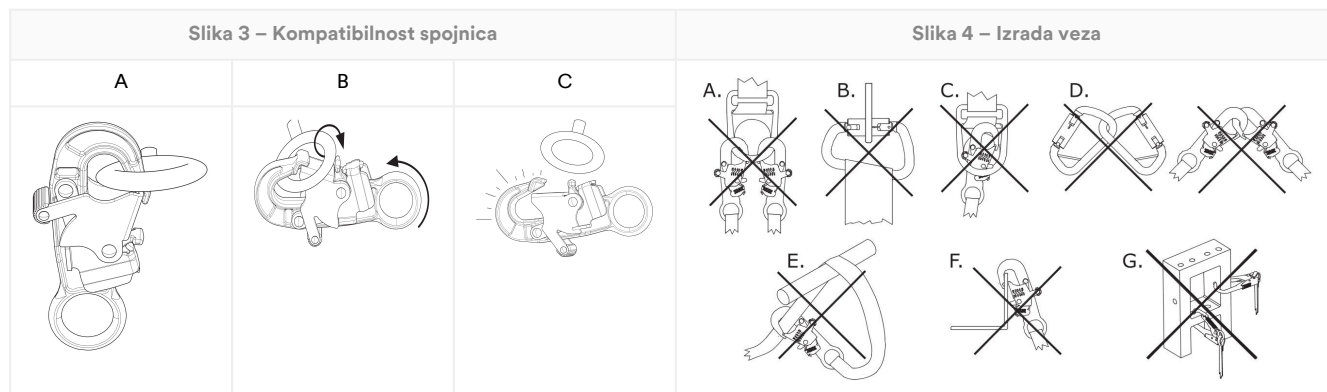
2.6 Kompatibilnost spojnice: Spojnice su kompatibilne sa spojnim elementima kada veličina i oblik bilo koje komponente ne uzrokuje nenamjerno otvaranje spojnice, bez obzira na orijentaciju. Spojnice moraju biti u skladu s primjenjivim standardima. Spojnice moraju biti potpuno zatvorene i blokirane tijekom uporabe.

Spojnice tvrtke 3M (kuke sa zapinjačem i karabineri) namijenjene su za primjenu isključivo u skladu s uputama u priručniku. Provjerite jesu li spojnice u skladu s komponentama sustava na koje su spojene. Nemojte upotrebljavati nekompatibilnu opremu. Uporaba nekompatibilnih komponenti može uzrokovati nenamjerno otpuštanje spojnice. Pogledajte sliku radi reference. Ako je spojni element na koji spojnica naliježe premali ili nepravilnog oblika, može se dogoditi da spojni element primjenjuje silu na zatvarač spojnice (A). Ova sila bi tada mogla uzrokovati otvaranje zatvarača (B), odvajajući spojnicu od spojnog elementa (C).

2.7 Spajanje: Spojnice moraju biti usklađene veličinom, oblikom i čvrstoćom. Pogledajte sliku za primjere neispravnih spojeva. Nemojte spajati kuke sa zapinjačem i karabinere:

1. na D-prsten na koji je spojena druga spojnica
2. na način koji bi uzrokovao preopterećenje zatvarača; karabineri s velikim grlom ne smiju se spajati na D-prstenove ili druge spojne elemente, ako kvačica nema snagu zatvarača od najmanje 16 kN (3600 lbf)

3. pri nepravilnom kopčanju, kada veličina ili oblik spojnice ili spojnog elementa nisu usklađeni i kada bez provjere djeluju u potpunosti zakopčane
4. jednu za drugu
5. izravno na mrežu remenja, materijal vezica za noge ili povratni materijal ako takav spoj nije izričito dopušten u uputama proizvođača
6. na bilo koji predmet čija veličina ili oblik ne dopuštaju da se spojnica potpuno zatvori i blokira ili koji bi mogao uzrokovati izvlačenje spojnice
7. na način koji ne dopušta pravilno nalijeganje spojnice pod opterećenjem.



3.0 Postavljanje

3.1 Pregled: montiranje sustava sklopive kranske dizalice može biti dugotrajan postupak s više koraka. Učinkovito planiranje te svijest o mjestu rada i opremi znatno pridonose pojednostavljenju postupka.

3.2 Planiranje: prije početka rada isplanirajte svoj sustav zaštite od pada. Uzmite u obzir sve čimbenike koji bi mogli utjecati na vašu sigurnost prije, tijekom i nakon pada. Razmotrite sve zahtjeve i ograničenja navedena u uputama.

1. **Oštri bridovi:** izbjegavajte rad na mjestima gdje komponente sustava mogu doći u kontakt ili se trljati o nezaštićene oštre rubove ili abrazivne površine. Svi oštri rubovi i abrazivne površine moraju se prekriti zaštitnim materijalom.
2. **Kompatibilnost:** pri montiranju sustava važno je upotrebljavati kompatibilne komponente. Svaki model proizvoda kompatibilan je za uporabu s određenim skupom modela ili dizajna proizvoda.

Na osnovu sklopive kranske dizalice može se također postaviti svaki nastavak potpornog stupa sklopive kranske dizalice koji je kompatibilan s navedenim kranskim dizalicama.

Kompatibilni modeli sklopive kranske dizalice	Korisničke upute za sklopivu kransku dizalicu
8000107	5908417
8000108	5908417
8000130	5908364
8000131	5908364

3.3 Postavljanje osnove sklopive kranske dizalice: Postavite osnovu sklopive kranske dizalice prema uputama za model proizvoda koji imate.

Površinu konstrukcije sidrišta treba očistiti od svih krhotina prije postavljanja osnove sklopive kranske dizalice.

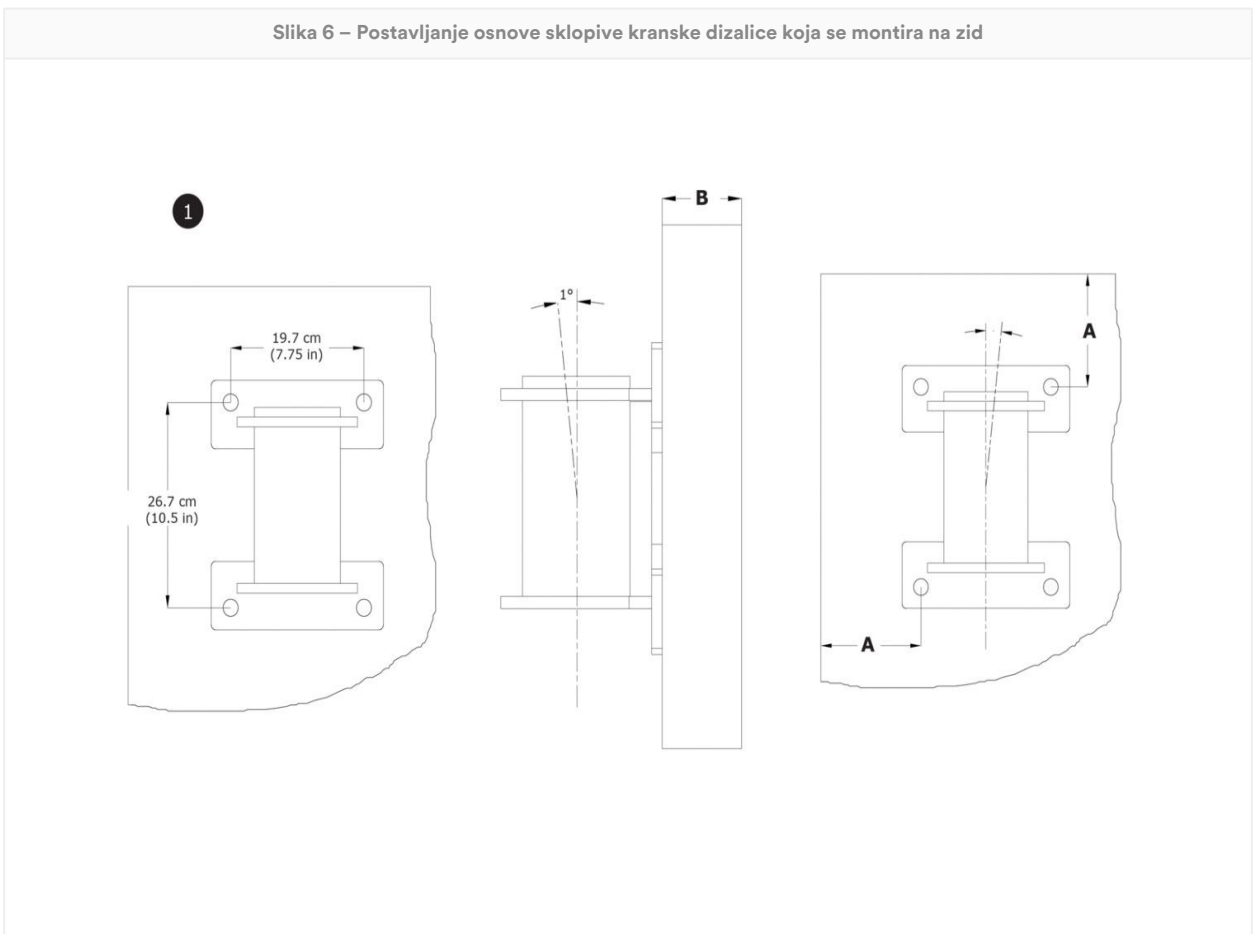
A. Osnova sklopive kranske dizalice koja se montira na zid: Osnova sklopive kranske dizalice mora se pripremiti prije uporabe.

1. **Pripremite mjesto.** Odaberite odgovarajuću montažnu površinu za ugradnju osnove sklopive kranske dizalice, a zatim odredite gdje treba postaviti osnovu. Moraju postojati dovoljan odmak od ruba (A) i debljina materijala (B) kako bi se zadovoljili zahtjevi čvrstoće vaše konstrukcije i sustava. Označite, a zatim izbušite sve rupe za pričvršćivanje prema promjeru i dubini koje preporučuje proizvođač pričvrstnog elementa.

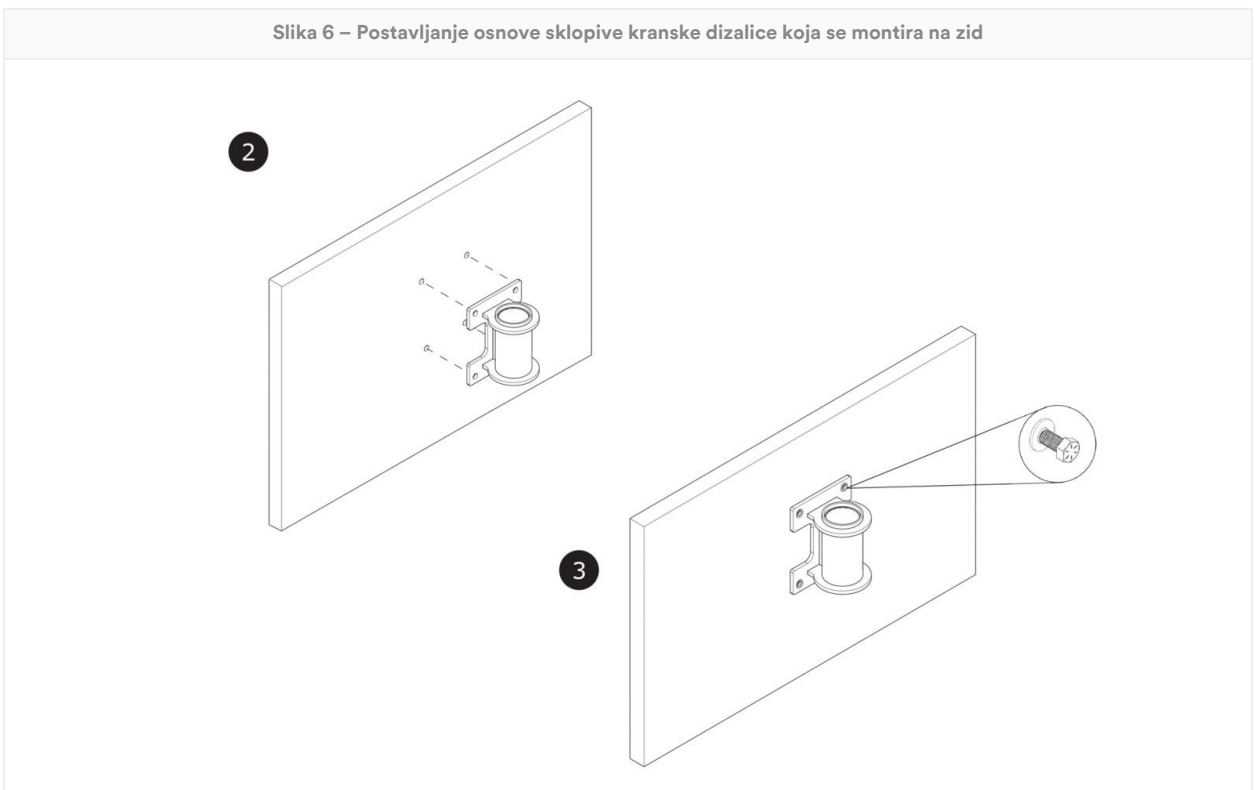
Osnova sklopive kranske dizalice mora biti postavljena na ravnu, okomitu površinu.

2. **Postavite osnovu sklopive kranske dizalice.** Poravnajte rupe na montažnoj ploči s izbušenim rupama. Osnova sklopive kranske dizalice mora se postaviti unutar plus-minus jednog stupnja od okomice.
3. **Pričvrstite osnovu sklopive kranske dizalice.** Učvrstite osnovu sklopive kranske dizalice s pomoću odabranih pričvrstnih elemenata, prema uputama proizvođača pričvrstnih elemenata.

Slika 6 – Postavljanje osnove sklopive kranske dizalice koja se montira na zid



Slika 6 – Postavljanje osnove sklopive kranske dizalice koja se montira na zid



3.4 Pričvršćivanje sklopive kranske dizalice: Nakon što se postavi osnova sklopive kranske dizalice, korisnik može pričvrstiti krak ili potporni stup za osnovu. Sklopiva kranska dizalica treba se pričvrstiti na montažni stup ili unutar naglavka osnove sklopive kranske dizalice, kako je primjenjivo za osnovu sklopive kranske dizalice koju upotrebljavate. Provjerite je li sklopiva kranska dizalica sigurna i upotrebljavaju li se sve vodilice ili osigurači na odgovarajući način. Za više informacija pogledajte upute proizvođača sklopive kranske dizalice ili sustava sklopive kranske dizalice.

4.0 Uporaba

4.1 Prije svake uporabe: provjerite ispunjavaju li vaše područje za rad i sustav zaštite od pada sve kriterije definirane u ovim uputama. Provjerite je li implementiran plan spašavanja. Pregledajte proizvod prema točkama za pregled definiranim u „Zapisniku pregleda i održavanja” pod stavkom 'Korisnik'. Ako je provjerom utvrđeno stanje koje nije ispravno ili sigurno ili ako postoji sumnja u sigurnu uporabu, odmah uklonite uređaj iz uporabe. Jasno označite uređaj oznakom „NE UPOTREBLJAVATI“. Više informacija potražite u Odjeljku 5.

4.2 Sidrište: osim kapaciteta proizvoda, za svaki se sustav zaštite od pada mora u obzir uzeti i čvrstoća svih potpornih struktura ili komponenti.

1. **Struktura sidrišta:** struktura sidrišta koja pričvršćuje ovaj proizvod mora podnositi potrebno opterećenje koje je određeno za sustav zaštite od pada ovog proizvoda.

Moment opterećenje	136.400 in-funti (15,41 kN*m)
--------------------	-------------------------------

2. **Točke sidrišta:** točke sidrišta koje se upotrebljavaju s ovim proizvodom moraju moći izdržati sva opterećenja koja uzrokuje proizvod.
3. **Pričvrtni elementi:** Svi pričvrtni elementi koji pričvršćuju proizvod na mjestu moraju biti dovoljno čvrsti da proizvod bude osiguran tijekom uporabe. Za više informacija pogledajte upute proizvođača pričvrstnog elementa.

Sila izvlačenja pričvrstnog elementa	35,59 kN (8.000 lbf)
Čvrstoća na smicanje po pričvrstnom elementu	22,2 kN (5.000 lbf)

4.3 Nakon pada: ako je oprema izložena sili zaustavljanja pada ili udarnoj sili, odmah je uklonite iz uporabe. Jasno označite „NE KORISTITI“. Više informacija potražite u Odjeljku 5.

4.4 Rukovanje materijalom: 3M dopušta uporabu ovog proizvoda za rukovanje materijalom prema uputama. Lokalni propisi ili standardi mogu imati dodatna ograničenja ili mogu regulirati uporabu opreme za zaštitu od pada za rukovanje materijalom.

⚠CAUTION:

Ovaj se proizvod mora upotrebljavati s kompatibilnom sklopivom kranom dizalicom ako se upotrebljava za rukovanje materijalom. Nikada nemojte pričvršćivati materijalni teret izravno na osnovu sklopive kranke dizalice.

Prije pričvršćivanja tereta materijala provjerite je li pripremljen za prijevoz.

Nikada nemojte istodobno pričvršćivati ovaj proizvod na materijale i korisnike.

Proizvod koji se upotrebljava za rukovanje materijalom mora pregledati kompetentna osoba prije njegove sljedeće uporabe. Lokalni propisi ili standardi mogu ograničiti prebacivanje između uporabe za osoblje i za rukovanje materijalom.

1. **Pričvrstite sklopivu kranu dizalicu.** Pričvrstite sklopivu kranu dizalicu na njenu osnovu kako je navedeno u korisničkim uputama.
2. **Pričvrstite povezani podsustav na sklopivu kranu dizalicu.** Više informacija potražite u uputama proizvođača sklopive kranke dizalice.
3. **Osigurajte sigurnosno uže na teretu materijala.** Po potrebi smanjite ili povećajte teret materijala.

Kapacitet materijala kojim se rukuje

340 kg (750 funti)

5.0 Provjera

Nakon što opremu uklonite iz uporabe, nećete je moći vratiti u uporabu sve dok stručna osoba pisanim putem ne potvrdi da je to prihvatljivo.

5.1 Učestalost pregleda: Proizvod mora pregledati korisnik prije svake uporabe, a dodatno i ovlaštena osoba koja nije korisnik, u dolje navedenim intervalima. Veća učestalost uporabe opreme i teži uvjeti mogu zahtijevati povećanje učestalosti pregleda od strane nadležnih osoba. Učestalost ovih pregleda treba odrediti nadležna osoba prema specifičnim uvjetima područja izvođenja radova.

Mjerodavni standard ili regija	Potrebna učestalost pregleda od strane kompetentnih osoba
ANSI i OSHA	Jednom godišnje
EN Standardi	Jednom godišnje
AS/NZS	Jednom godišnje

5.2 Postupci preleda: pregledajte ovaj proizvod prema postupcima navedenim u odjeljku „Dnevnik pregleda i održavanja“. Vlasnik ove opreme treba voditi dokumentaciju o pregledima. Dnevnik pregleda i održavanja treba biti postavljen blizu proizvoda ili treba na drugi način biti lako dostupan korisnicima. Preporučujemo da proizvod označite datumom sljedeće ili posljednjeg pregleda.

5.3 Nedostaci: ako se proizvod ne može vratiti u uporabu zato što ima nedostatak ili nije u sigurnom stanju, potrebno ga je uništiti ili poslati na popravak tvrtki 3M ili ovlaštenom servisnom centru tvrtke 3M.

5.4 Vijek trajanja proizvoda: Funkcionalni vijek trajanja proizvoda određuje se u skladu s uvjetima rada i održavanja. Proizvod se može upotrebljavati sve dok prolazi kriterije pregleda.

6.0 Održavanje, skladištenje i popravak

Oprema koju je potrebno održavati ili za koju je planirano održavanje treba imati oznaku „NE KORISTITI“. Ove oznake opreme ne treba uklanjati dok se ne izvrši održavanje.

6.1 Čišćenje: povremeno očistite metalne dijelove proizvoda toplom vodom i blagom otopinom sapuna. Isperite proizvod čistom vodom, a zatim ostavite da se osuši na zraku. Za više informacija pogledajte tehnički priručnik na našem web-mjestu: <https://www.3M.com/FallProtection/Mechanical-Device-Cleaning>

6.2 Popravak: Opremu mogu popravljati isključivo tvrtka 3M ili strane koje je tvrtka 3M za to ovlastila pisanim putem.

6.3 Skladištenje i prijevoz: skladištite i prevozite proizvod na hladnom, suhom, čistom mjestu, podalje od izravne sunčeve svjetlosti. Izbjegavajte mjesta gdje su prisutna kemijska isparavanja. Temeljito pregledajte komponente nakon duljeg skladištenja.

Trajno postavljene osnove ne smiju napuštati radno mjesto. Ostale komponente mogu se ukloniti iz tih osnova radi skladištenja ili prijevoza, ali osnova će morati ostati.

⚠WARNING:

Nagli prijelazi između toplog i ekstremno hladnog okruženja mogu utjecati na performanse vaše opreme. Mehaničke uređaje (kao što su samouvlačni uređaji, vitla, uređaji za izvlačenje, tuljci za penjanje itd.) treba prilagoditi za uporabu u ekstremnoj hladnoći ili vrućini skladištenjem na temperaturama sličnim radnom okruženju. Uvijek izvršite pregled svoje opreme u njenom radnom okruženju prije uporabe.

7.0 Naljepnice i oznake

7.1 Sažetak: na slici „Naljepnice proizvoda” prikazuju se naljepnice i oznake koje se nalaze na proizvodu. U nastavku potražite sažetak informacija za svaku naljepnicu i oznaku.

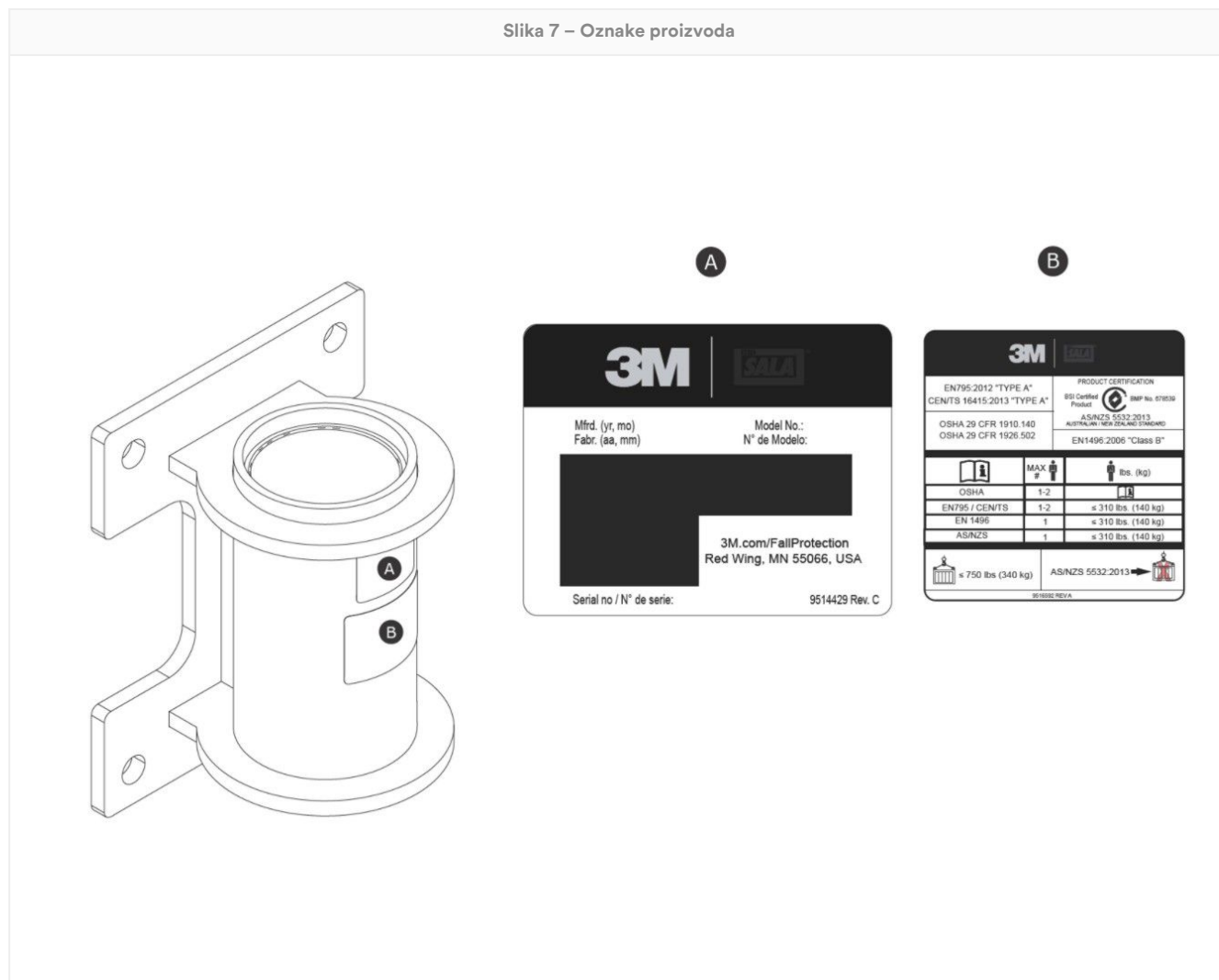
NOTICE:

Slike naljepnica služe kao primjer. Konkretno informacije pogledajte na naljepnicama na proizvodu.

Naljepnice koje nedostaju ili su oštećene moraju se zamijeniti. Sve naljepnice moraju biti potpuno čitljive.

A	Oznaka sa specifikacijama proizvoda
B	ID oznaka

Slika 7 – Oznake proizvoda



Pojmovnik

Definicije: U ovim se uputama upotrebljavaju sljedeći pojmovi i definicije:

Za opsežan popis pojmova i definicija posjetite našu web-stranicu: www.3m.com/FallProtection/ifu-glossary

- **Ovlaštena osoba:** osoba koju poslodavac angažira za obavljanje dužnosti na mjestu gdje će se osoba izložiti opasnosti od pada.
- **Stručna osoba:** osoba koja je sposobna identificirati postojeće i predvidive opasnosti u okruženjima ili radnim uvjetima koji su nehigijenski, nesigurni ili opasni za zaposlenike i koja je ovlaštena poduzeti ažurne korektivne mjere za njihovo uklanjanje.

- **Sustav za zaustavljanje pada:** komplet opreme za zaštitu od pada konfiguriran za zaštitu korisnika u slučaju pada.
- **Kvalificirana osoba:** osoba s priznatim stupnjem stručnosti, certifikatom ili profesionalnim znanjem ili osoba koja je temeljem opsežnog iskustva, obuke i znanja uspješno pokazala svoju sposobnost rješavanja problema povezanih sa sustavima zaštite od pada ili spašavanja do mjere koju zahtijevaju državni, regionalni ili lokalni propisi.
- **Sustav za spašavanje:** komplet opreme za zaštitu od pada konfigurirane kako bi se osobe dovele na sigurno iz opasnih situacija. Ne dopušta slobodan pad.
- **Spasilac:** osoba koja upotrebljava sustav za spašavanje u sklopu potpomognutog spašavanja.
- **Sustav za zaštitu od pada:** komplet opreme za zaštitu od pada konfiguriran tako da spriječi opasnost od pada korisnika. Ne dopušta slobodan pad.
- **Korisnik:** osoba koja izvršava radnje dok je zaštićena sustavom za zaštitu od pada.
- **Sustav za pozicioniranje tijekom rada:** komplet opreme za zaštitu od pada konfiguriran za držanje korisnika u radnom položaju.

Dnevnik pregleda i održavanja

Za svaki pregled treba upotrebljavati primjerak ove tablice. Zabilježite donje podatke.

Proizvođač: Zaštita od pada iz tvrtke 3M

Broj modela (serijski broj):

Datum kupovine:

Datum prve uporabe:

Ovaj proizvod korisnik mora pregledati prije svake uporabe. Osim toga, kompetentna osoba koja nije korisnik mora pregledati ovu opremu u intervalima navedenim u 5. odjeljku.

Komponenta	Raspored pregleda	Rezultat pregleda (prošao ili pao)
Proizvod (slika 2)	Pregledajte ima li oštećenja, deformacija, korozije i hrđe na osnovi sklopive kranke dizalice. Potražite pukotine, savinuća, udubljenja ili istrošenost koji bi mogli utjecati na čvrstoću i rad sustava. Tijekom pregleda korozije trebali biste pregledati i uređaj za sidrenje, njegove pričvršćivače ili pričvršne elemente te strukturu na koju je uređaj za sidrenje pričvršćen.	
	Pregledajte sve pričvršne elemente kako biste provjerili ima li na njima oštećenja ili korozije. Pritegnite po potrebi.	
	Na svim pokretnim dijelovima provjerite ima li krhotina, napuknuća, lomova ili istrošenih dijelova koji bi mogli uzrokovati kvar tijekom rada.	
Naljepnice	Sve etikete moraju biti na broju i u potpunosti čitljive.	
Oprema za zaštitu od pada	Dodatna oprema za zaštitu od pada koja se upotrebljava s proizvodom ugrađuje se i pregledava prema uputama proizvođača. Provjerite je li ocjena čvrstoće za svaki od vaših proizvoda kompatibilna i dovoljna za namjeravanu primjenu.	

Sažetak pregleda proizvoda

Ako proizvod ne prođe postupak pregleda, proizvod ne prolazi cjelokupan pregled. Ako proizvod ne prođe pregled, odmah ga uklonite iz uporabe. Jasno označite uređaj oznakom „NE UPOTREBLJAVATI“. Više informacija potražite u 5. odjeljku.


Vrsta pregleda:	<input type="checkbox"/> Korisnik	<input type="checkbox"/> Stručna osoba	Sveukupni rezultat pregleda:	
Pregledao/la:			Datum pregleda:	
Potpis:			Rok sljedećeg pregleda:	
Dodatne napomene:				

Certifikacije

Vaš je proizvod u skladu s nacionalnim ili regionalnim standardima navedenim na prednjoj naslovnici ovih uputa. Certifikacija i usklađenost mogu biti ograničeni na pojedine modele proizvoda ili primjene.

Za više informacija o zahtjevima za certifikaciju ili sukladnost, pogledajte primjenjive standarde i propise navedene za vaš proizvod.

Korisnici prema standardima AS/NZS trebali bi pogledati standard AS/NZS 1891.4 za zahtjeve glede odabira, uporabe, održavanja i obuke.

BSI certificirani proizvod AS/NZS 5532:2013 Odobrenje: BMP 678539	BSI - Head Office Suite 1, Level 1, 54 Waterloo Road Macquarie Park, NSW, 2113 Australija	
---	---	---

Globalno jamstvo za proizvod, ograničeno obeštećenje i ograničenje odgovornosti

Jamstvo: Sljedeća izjava o jamstvu mijenja sva druga jamstva ili odredbe, izričite ili prešutne, uključujući prešutna jamstva ili odredbe vezane uz mogućnost prodaje ili prikladnost za određenu namjenu.

Osim ako nije drugačije propisano važećim zakonima, za proizvode za zaštitu od pada tvrtke 3M daje se jamstvo u pogledu nepostojanja tvorničke pogreške u izradi ili materijalima, u trajanju od jedne godine od datuma prvog postavljanja ili prve uporabe od strane izvornog vlasnika.

Ograničeno obeštećenje: Po prijemu pismene obavijesti, tvrtka 3M će popraviti ili zamijeniti proizvod za koji tvrtka 3M utvrdi postojanje tvorničke pogreške u izradi ili materijalima. Tvrtka 3M pridržava pravo zahtijevati povrat proizvoda u njezin pogon u svrhu procjene valjanosti jamstvenog zahtjeva. Ovim jamstvom nisu obuhvaćena oštećenja proizvoda uslijed trošenja, zlouporabe, nepravilne uporabe, oštećenja u transportu, neodržavanja te drugih oštećenja izvan kontrole tvrtke 3M. Tvrtka 3M ima isključivo pravo ocjenjivanja stanja proizvoda i jamstvenih opcija.

Ovo se jamstvo odnosi samo na izvornog kupca i jedino je jamstvo primjenjivo za proizvode za zaštitu od pada tvrtke 3M. Za pomoć, obratite se Službi za korisnike tvrtke 3M na vašem području.

Ograničenje odgovornosti: U najvećem zakonom dopuštenom opsegu, tvrtka 3M ne snosi odgovornost za bilo kakve neizravne, slučajne, posebne ili posljedične štete uključujući, između ostalog, gubitak profita, na bilo koji način povezan s proizvodom, neovisno o mjerodavnom pravu.

3M™ DBI-SALA® Falra szerelhető darutalp

Használati útmutató

Nyomtatvány száma: 5903663, Kiadás: F

Ez a termék az alábbi szabványoknak és előírásoknak felel meg. A tanúsítás és a megfelelőség egyes termékmodellekre vagy alkalmazásokra korlátozódhat. További információért lásd: *Tanúsítások*.

- OSHA 29 CFR 1910.140, 1926.502
- EN 795:2012 (A típus)
- CEN/TS 16415:2013 (A típus)
- EN 1496:2006 (4.6. szakasz)
- AS/NZS 5532:2013

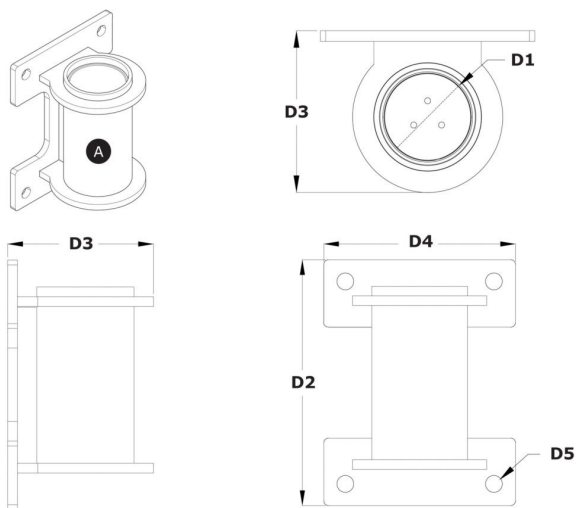
⚠WARNING:

A termékkódok azonosítását lásd a termékspecifikációs táblázatokban. További termékinformációért lásd a Termékáttekintést.

Előfordulhat, hogy egyes alkatrészek nem rendelkeznek egyedi tanúsítvánnyal, és összeszerelésre szükséges ahhoz, hogy a tanúsítási követelményeknek megfeleljenek.

1. ábra – Termék áttekintése

Modell	Stílus	D1	D2	D3	D4	D5	Termék súlya
8000101	A	10,2 cm (4,0 in)	32,4 cm (12,75 in)	19,0 cm (7,5 in)	25,4 cm (10,0 in)	22,2 mm (0,88 in)	15,7 kg (34,0 font)
8000102	A	10,2 cm (4,0 in)	32,4 cm (12,75 in)	19,0 cm (7,5 in)	25,4 cm (10,0 in)	22,2 mm (0,88 in)	15,7 kg (34,0 font)



Biztonsági információk

Kérjük, hogy a jelen termék használata előtt olvassa el, értelmezze és kövesse a jelen használati útmutatóban szereplő összes biztonsági információt. ENNEK ELMULASZTÁSA SÚLYOS SÉRÜLÉSHEZ VAGY HALÁLHOZ VEZETHET.

Ezt a használati útmutatót a felszerelés használójának a rendelkezésére kell bocsátani. Őrizze meg ezt az útmutatót jövőbeni hivatkozás céljára.

Biztonsági információk

Űrlap: 5908277, Változat: B

Rendeltetészerű használat

A jelen termék egy teljes értékű zuhanásvédelmi rendszer részelemeként használatos.

A 3M nem hagy jóvá semmilyen egyéb jellegű használatot, beleértve, de nem kizárólagosan a nem jóváhagyott anyagmozgatást, szabadidős vagy sporttevékenységet, illetve a jelen útmutatóban nem szereplő bármely egyéb tevékenységet, mert ezek súlyos sérüléseket vagy halált okozhatnak.

A jelen terméket csak képzett felhasználók használhatják, munkahelyi feladatvégzéshez.

Figyelmeztetés

A jelen termék egy teljes értékű zuhanásvédelmi rendszer részelemeként használatos.

Minden felhasználónak teljes körű képzést kell kapnia a teljes zuhanásvédelmi rendszer biztonságos üzembe helyezése és működtetése tárgyában. A jelen termék nem rendeltetészerű használata súlyos sérüléshez vagy halálhoz vezethet. A megfelelő választás, működtetés, telepítés, karbantartás és szervizelés érdekében olvassa el az összes használati útmutatót és a gyártó ajánlásait. További információkért forduljon feletteséhez vagy a 3M műszaki ügyfélszolgálatához.

- **A zárt térbe való belépési-mentési rendszer használatával kapcsolatos kockázatok csökkentése, amelyek elkerülés nélkül súlyos sérülésekhez vagy halálhoz vezethetnek:**
 - Minden egyes használat előtt, továbbá zuhanási esemény után vizsgálja meg a terméket a jelen útmutatóban leírt eljárásoknak megfelelően.
 - Ha az ellenőrzés során nem biztonságos vagy hibás állapotra derül fény, haladéktalanul vonja ki a terméket a használatból, és lássa el jól látható „NEM SZABAD HASZNÁLNI” jelöléssel. A rendszert a jelen útmutatóban leírtaknak megfelelően semmisítse meg vagy javítsa meg.
 - Minden olyan terméket, amely aktiválódott zuhanásgátlási műveletben vagy zuhanásgátlási erőhatásnak volt kitéve, haladéktalanul ki kell vonni a használatból. A rendszert a jelen útmutatóban leírtaknak megfelelően semmisítse meg vagy javítsa meg.
 - Győződjön meg arról, hogy a különböző gyártóktól származó részegységeket tartalmazó zuhanásvédelmi rendszerek részegységei egymással kompatibilisek, és megfelelnek az összes vonatkozó zuhanásvédelmi előírásnak, szabványnak és követelménynek. E rendszerek használata előtt mindig konzultáljon egy hozzáértő személlyel.
 - A terméket csak a használati útmutatójában leírtak szerint szabad üzembe helyezni. A jelen használati útmutatótól eltérő üzembe helyezést és használatot a 3M-nek írásban jóvá kell hagynia.
 - A terméken csak a kijelölt kikötési csatlakozási pontokra csatlakoztasson zuhanásgátlási alrendszereket.
 - Az üzembe helyezés előtt győződjön meg arról, hogy az üzembehelyezési módszerek és a termék nem zavarja az elektromos vezetékeket, gázvezetékeket vagy más kritikus fontosságú anyagokat vagy rendszereket.
 - Győződjön meg arról, hogy a termék a biztonságos működéshez megfelelően van konfigurálva és üzembe helyezve, a jelen útmutatóban leírtak szerint.
 - Ne csavarja meg, ne kösse meg, ne csomózza meg és ne engedje lazára a biztosítókötetet.
 - Ne lépje túl a felhasználók – jelen útmutatóban engedélyezett – maximális számát.
 - Járron el gondosan a termék üzembe helyezése, használata és mozgatása során, ugyanis a mozgó elemek becsapódási pontokat hozhatnak létre.
 - Adott esetben be kell tartani a kizárási/címkézési (LOTO) eljárásokat.
 - A rendszer szállítása vagy szerelése közben semmi se csatlakoztasson rá.
- **A magasban történő munkavégzéshez kapcsolódó, súlyos sérülés vagy halál veszélyét hordozó kockázatok csökkentése érdekében kövesse az alábbiakat:**
 - Egészségileg és fizikailag alkalmas állapotban kell lennie a magasban történő munkavégzéshez, és a zuhanásgátlási esemény során bekövetkező összes erőhatás elviseléséhez. Ha kérdése merül fel ezen felszerelés használatával kapcsolatos alkalmasságára vonatkozóan, konzultáljon orvosával.
 - Soha ne lépje túl a zuhanásvédelmi felszerelés névleges maximális terhelését.
 - Soha ne lépje túl a zuhanásvédelmi felszereléshez megadott maximális szabadesési távolságot.
 - Ne használjon olyan zuhanásvédelmi felszerelést, amely nem felel meg az ellenőrzéseken, illetve olyat, amelynek használatával vagy alkalmasságával kapcsolatban aggályai vannak. Bármilyen kérdéssel forduljon a 3M ügyfélszolgálatához.
 - Bizonyos alrendszer- és alkatrész kombinációk megzavarhatják a jelen eszköz működését. Csak kompatibilis csatlakozókat használjon. Mielőtt ezt a berendezést a jelen használati utasításban leírtaktól eltérő alkatrészekkel vagy alrendszerekkel együtt használná, forduljon a 3M ügyfélszolgálatához.
 - Különös gondossággal járjon el mozgó gépek közelében, szélsőséges hőmérsékleten, továbbá elektromos jellegű veszély, vegyi jellegű veszély, robbanékony vagy mérgező gázok, éles szegély vagy koptatófelület jelenlétében történő munkavégzéskor, illetve olyan felfüggesztett tárgyak alatt, amelyek Önre vagy a zuhanásvédelmi felszerelésre zuhanhatnak.
 - Győződjön meg arról, hogy a termék a biztonsági besorolása szerint használható a munkakörnyezetében felmerülő veszélyek esetén.
 - Magasban történő munkavégzés esetén gondoskodjon a megfelelő zuhanási térről.
 - Soha ne módosítsa vagy alakítsa át a zuhanásvédelmi felszerelést. 3M felszerelést kizárólag a 3M vállalat vagy a 3M írásos felhatalmazásával rendelkező személy javíthat.
 - Zuhanásvédelmi felszerelés használata előtt győződjön meg arról, hogy létezik zuhanási eseményre vonatkozó, azonnali mentést részletező, írásos mentési terv.
 - Zuhanási esemény bekövetkezésakor azonnal hívjon orvost a lezuhant dolgozóhoz.
 - Mindig teljes testhevederet használjon a zuhanásgátlási alkalmazásokhoz. Ne használjon hashevedert.
 - Csökkentse minimálisra a lengőzuhanás esélyét azzal, hogy a kikötési pont alatti lehető legközelebbi helyen dolgozik.
 - A jelen termékkel kapcsolatos gyakorlati képzés során kötelező másodlagos zuhanásvédelmi rendszert is használni. A képzés résztvevőit tilos kitenni nem szándékolt zuhanásveszélynek.
 - Mindig viseljen megfelelő egyéni védőfelszerelést a termék üzembe helyezésekor, használatakor és vizsgálatakor.
 - Soha ne dolgozzon felfüggesztett teher vagy dolgozó alatt.
 - Mindig biztosítson 100%-os rögzítettséget.

Termék áttekintése

Minden alkalommal győződjön meg arról, hogy a 3M használati útmutatójának legújabb verzióját használja. Frissített használati utasításokért látogasson el a www.3m.com/userinstructions weboldalra, vagy forduljon a 3M ügyfélszolgálatához.

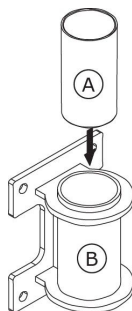
Az eszköz használata előtt jegyezze fel az azonosító címkén szereplő termékazonosító adatokat a kézikönyv végén található „Ellenőrzési és karbantartási naplóba”.

Az 1. ábra az elérhető termékmodelleket mutatja be. A darutalpak a darurendszer azon részét képezik, amely segít a rendszer földhöz rögzítésében. A daru a talphoz van rögzítve, miközben állítható, mozgatható rögzítési pontként szolgál a felhasználó számára. A rendszer alkalmazására vonatkozó további információkért lásd a kompatibilis daru vagy darurendszer gyártójának használati utasítását.

A 2. ábra a rendelkezésre álló termékmodellek legfontosabb összetevőit mutatja be. A darutalp két részből áll: egy betét (A) és egy daruhüvely (B). A betét lehetővé teszi, hogy a rögzített daru szabadon forogjon a daruhüvelyben. A hüvelyhez egy rögzítőlemez tartozik, amely a darutalpat egy szerkezethez rögzíti.

Minden termékmodellnek megvannak a maga specifikációi, amint azt az 1. ábra mutatja. További információkért lásd a termékspecifikációs táblázatokat.

2. ábra – Alkatrészek



Termékspecifikációs táblázatok

Rendszerjellemzők

Felhasználói teherbírás:	A rendszer kapacitására vonatkozó további információkért lásd a kompatibilis daru modellek gyártójának használati utasítását.
Szabványok:	Az egyes termékmodellek az 1. ábrán felsorolt vonatkozó szabványok és előírások szerint tanúsítva vannak, illetve azoknak megfelelnek. Ha egyik sincs megadva, akkor a borítón felsorolt összes szabvány és előírás alkalmazandó.

Az alkatrész jellemzői

2. ábra, referencia	Alkatrész	Anyagok
A	Betét	Nagy sűrűségű polietilén
B	Darupersely	8000101: Horganyzott szénacél
		8000102: Rozsdamentes acél

1.0 Termék alkalmazása

1.1 Cél: A darukar rendszerek mobil rögzítési struktúráként szolgálnak a zuhanásvédelmi rendszerekhez. A szerelvény és az alkatrészek a rendszertől függően változnak. A rendszer alkalmazására vonatkozó további információkért lásd a „Termékáttekintés” című részt, valamint a telepítéssel vagy a használattal kapcsolatos bármelyik szakaszt.

1.2 Felügyelet: A berendezés használatát hozzáértő személynek kell felügyelnie. A berendezés telepítését csak hozzáértő személy felügyelheti. Szakképzett személynek kell megerősítenie hogy a szerelés megfelel-e a helyi és a szövetségi előírásoknak. A kötőelemeket és a darualp elhelyezését szintén szakképzett személynek kell jóváhagynia.

1.3 Továbbértékesítés és forgalmazás: Ha a terméket az eredeti rendeltetési országon kívül értékesítik, a viszonteladónak biztosítania kell ezeket az utasításokat annak az országnak a nyelvén, amelyben a terméket használni fogják.

1.4 Képzés: Ezt a berendezést a megfelelő alkalmazásra betanított személyeknek kell felszerelniük és használniuk. Jelen használati útmutatót a nemzeti, regionális vagy helyi szabványok által előírt munkavállalói képzési program részeként kell használni. Az eszköz felhasználói és üzembe helyezői felelősek azért, hogy ismerjék a jelen használati útmutatót, ki legyenek képezve az eszköz helyes kezelésére és használatára, valamint tisztában legyenek az eszköz működésének jellemzőivel, a felhasználásra vonatkozó korlátozásokkal és a helytelen használatból származó következményekkel.

1.5 Mentési terv: A jelen eszköz és csatlakozó alrendszerének használata során a munkaadónak rendelkeznie kell írásban rögzített mentési tervvel, az annak végrehajtásához szükséges eszközökkel, valamint a tervet a felhasználókkal, a jogosult személyekkel és a mentési szakemberekkel meg kell ismertetnie. Képzett, helyszíni mentőcsapat jelenléte ajánlott. A csapattagok számára biztosítani kell a sikeres mentéshez szükséges felszerelést és eljárási módokat. Rendszeres időközönként képzést kell tartani a mentési szakemberek jártasságának biztosítása érdekében. Jelen útmutatót a mentés szakemberek rendelkezésére kell bocsátani. A mentési folyamat során folyamatosan fenn kell tartani a vizuális kapcsolatot vagy más kommunikációs módot a mentendő személlyel.

2.0 Rendszerkövetelmények

2.1 Csatlakoztatás: A terméket csatlakoztató szerkezetnek képesnek kell lennie arra, hogy ellenálljon a leesés elleni védelmi rendszer által megengedett összes szükséges terhelésnek. További információk az 4. részben találhatóak.

2.2 Teherbírás: A teljes zuhanásvédelmi rendszer felhasználói kapacitásának felső korlátját a legalacsonyabb maximális névleges kapacitású alkotórész határozza meg. Ha például a csatlakoztatott alrendszer kapacitása kisebb, mint az Ön által használt hevederzeté, akkor a csatlakoztatott alrendszer kapacitási követelményeinek kell megfelelnie. A kapacitásra vonatkozó követelményeket illetően tekintse meg a rendszer egyes alkotórészeire vonatkozó gyártói utasításokat.

2.3 Környezeti veszélyek: A berendezés veszélyes környezetben való használata további óvintézkedéseket igényelhet a felhasználó sérülésének és a berendezés károsodásának elkerülése érdekében. Ilyen veszélyek lehetnek – egyebek mellett – a következők: magas hő, vegyszerek, korrozív környezet, nagyfeszültségű elektromos vezetékek, robbanásveszélyes vagy mérgező gázok, mozgó gépek, éles szegélyek, magasban lévő tárgyak, amelyek leeshetnek és érintkezhetnek a felhasználóval vagy az eszközzel. További felvilágosításért forduljon a 3M ügyfélszolgálatához.

2.4 Biztosítókötéllal kapcsolatos veszélyek: Gondoskodjon arról, hogy a biztosítókötélnél semmilyen veszély ne álljon fenn – beleértve, de nem kizárólag a következőket: összeakadás más felhasználóval, dolgozóval, mozgó berendezéssel vagy egyéb környező tárggyal, illetve a biztosítókötélre vagy a felhasználókra zuhanás lehetőségét hordozó tárgyak.

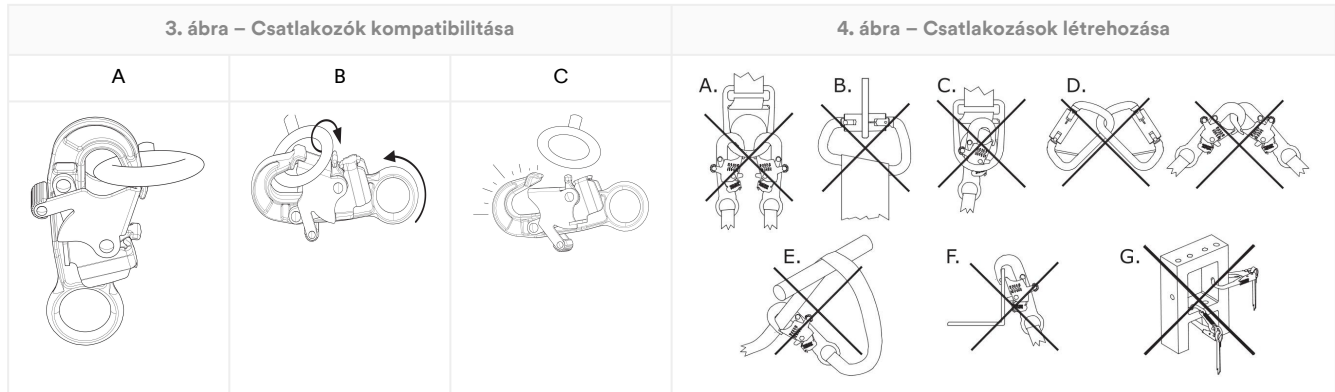
2.5 Az alkatrészek kompatibilitása: A 3M felszereléseket 3M felszerelésekkel való használatra tervezték. A nem a 3M által gyártott felszereléssel való használatot jóvá kell hagynia egy hozzáértő személynek. A nem jóváhagyott felszereléssel történő helyettesítés veszélyeztetheti a felszerelés kompatibilitását, és befolyásolhatja a zuhanásvédelmi rendszerének biztonságát és megbízhatóságát. Használat előtt olvassa el és tartsa be az összes berendezésre vonatkozó összes utasítást és figyelmeztetést.

2.6 A csatlakozó kompatibilitása: A csatlakozók akkor kompatibilisek a csatlakozóelemekkel, ha egyik alkatrész mérete és alakja sem okozza a csatlakozó véletlen kinyílását, iránytól függetlenül. A csatlakozóknak meg kell felelniük a vonatkozó szabványoknak. A csatlakozóknak használat közben teljesen zárva és reteszelve kell lenniük.

A 3M csatlakozók (biztonsági horgok és karabinerek) kizárólag az egyes használati útmutatókban meghatározott módon alkalmazhatók. Győződjön meg arról, hogy a csatlakozók kompatibilisek azokkal a rendszeralkatrészekkel, amelyekhez csatlakoztatva vannak. Ne használjon nem kompatibilis alkatrészeket. A nem kompatibilis alkatrészek használata a csatlakozó akaratlan kioldását okozhatja. Lásd az ábrát tájékoztatásul. Ha túlságosan kis méretű, illetve szabálytalan alakú a csatlakozóelem, amelyhez csatlakozót rögzítenek, előfordulhat, hogy a csatlakozóelem erőt fejt ki a csatlakozó rugós billentyűjére (A). Ez az erő a rugós billentyű kinyílását okozhatja (B), leválasztva a csatlakozót a csatlakozóelemről (C).

2.7 Csatlakoztatások: A csatlakoztatásoknak méret, alak és teherbírás szempontjából egyaránt kompatibilisnek kell lenniük. A nem megfelelő kapcsolatokra vonatkozó példákat lásd az ábrán. Ne rögzítsen biztonsági horgot és karabinert:

1. olyan D-gyűrűhöz, amelyhez másik csatlakozóelem csatlakozik;
2. ...úgy, hogy az terhelést jelentsen a zárónyelv számára. Nagy nyílású biztonsági horgot nem szabad szabványos méretű D gyűrűkkel vagy más csatlakozóelemekkel csatlakoztatni, kivéve, ha a biztonsági horgok kapujának szilárdsága 16 kN (3600 fonterő) vagy nagyobb.
3. Hibás összekapcsolás esetén, amikor a csatlakozó vagy csatlakozóelem mérete vagy alakja nem kompatibilis, szemrevételezés hiányában úgy tűnhet, hogy a csatlakozók teljes mértékben összekapcsolódtak.
4. Egymáshoz rögzítés.
5. Közvetlenül a hevederzet pántjához, a rögzítőkötél lábának anyagához, illetve visszabújtatott anyaghoz, hacsak a gyártó utasításai ezt kifejezetten nem engedélyezik.
6. Olyan tárgyhoz, amelynek mérete vagy alakja nem teszi lehetővé a csatlakozó teljes bezárását és reteszelését, vagy amely a csatlakozó letékeredését okozhatja.
7. ...úgy, hogy az gátolja a csatlakozóelem terhelés alatti megfelelő beállítását.



3.0 Üzembe helyezés

3.1 Áttekintés: A darurendszer telepítése hosszadalmas folyamat lehet, amely több lépésből áll. A munkaterület és a berendezés hatékony megtervezése és tudatos használata nagy segítséget jelent abban, hogy a folyamat a lehető legzökkenőmentesebben haladjon.

3.2 Tervezés: Tervezze meg a leesés elleni védelmi rendszert a munka megkezdése előtt. Vegyen figyelembe minden tényezőt, amely zuhanás előtt, alatt és után befolyásolhatja a biztonságot. Vegye figyelembe a jelen útmutatóban meghatározott összes előírást és korlátozást.

1. **Éles szegélyek:** Ne dolgozzon olyan helyen, ahol a rendszer elemei védőanyag nélküli, éles szegélyekhez érhetnek, vagy érdes felületekhez súrlódhatnak. Az összes éles széllet és érdes felületet védőanyaggal kell bevonni.
2. **Kompatibilitás:** A rendszer felszerelésekor fontos, hogy kompatibilis összetevőket használjon. Minden termékmodell a termékmodellek vagy dizájnok egy meghatározott készletével kompatibilis.

A darutalpra bármilyen, a felsorolt darukkal kompatibilis daruoszlop-hosszabbítás is felszerelhető.

Kompatibilis darumodellek	Daru használati utasítás
8000107	5908417
8000108	5908417
8000130	5908364
8000131	5908364

3.3 A darutalp telepítése: Szerelje fel a darutalpat a termékmodellhez mellékelt utasítások szerint.

A rögzítési felületet meg kell tisztítani minden törmeléktől, mielőtt a darutalpat felszerelné.

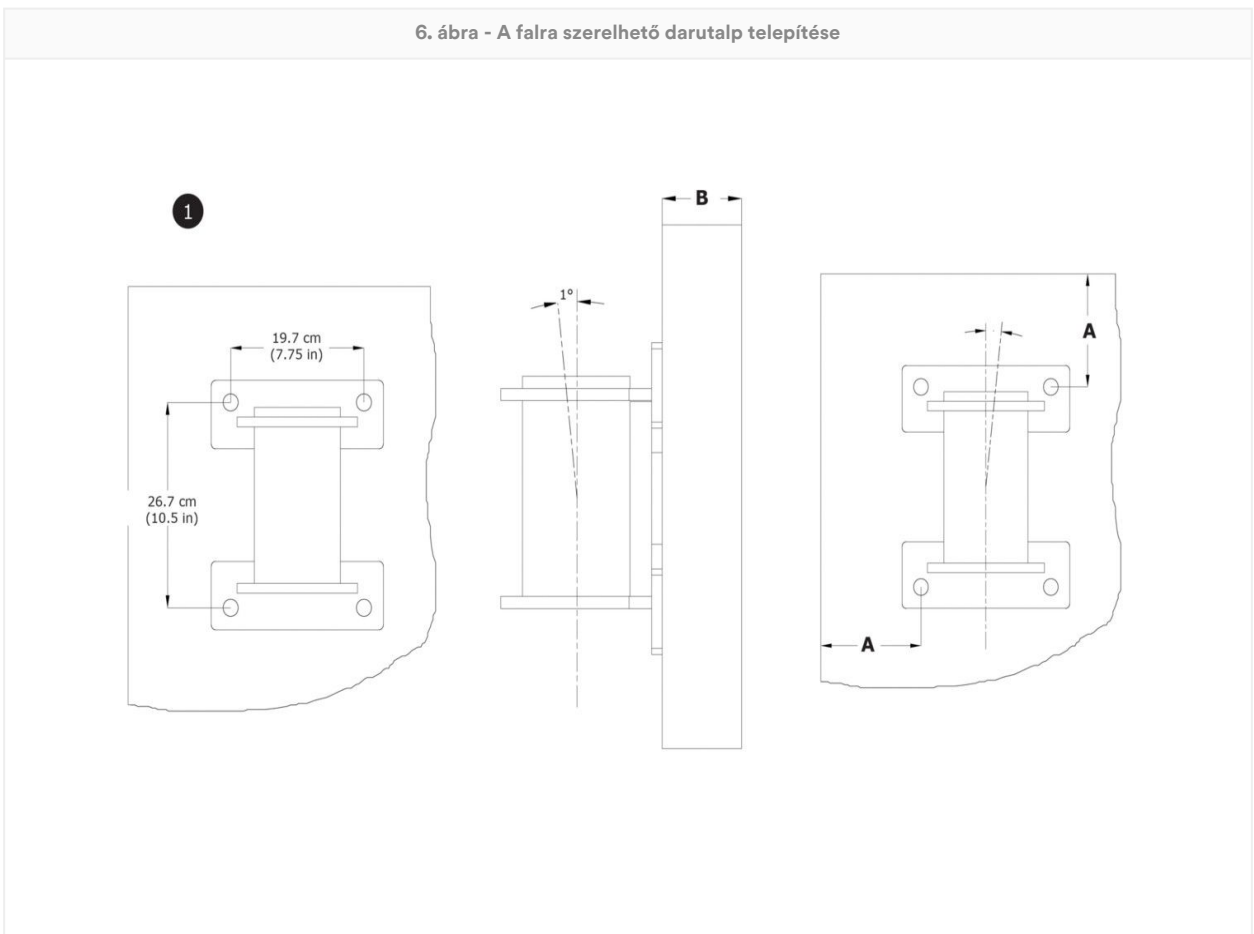
A. Falra szerelhető darutalp: A darutalpat használat előtt elő kell készíteni.

1. **Készítse elő a helyszínt.** Válassza ki a megfelelő szerelési felületet a darutalp felszereléséhez, majd határozza meg, hogy hova kell felszerelni a talpat. A szélétől (A) és az anyagvastagságtól (B) elegendő távolságnak kell lennie ahhoz, hogy a szerkezet és a rendszer szilárdsági követelményei teljesüljenek. Jelölje meg, majd fúrja ki az összes rögzítőfuratot a kötőelem gyártója által ajánlott átmérő és mélység szerint.

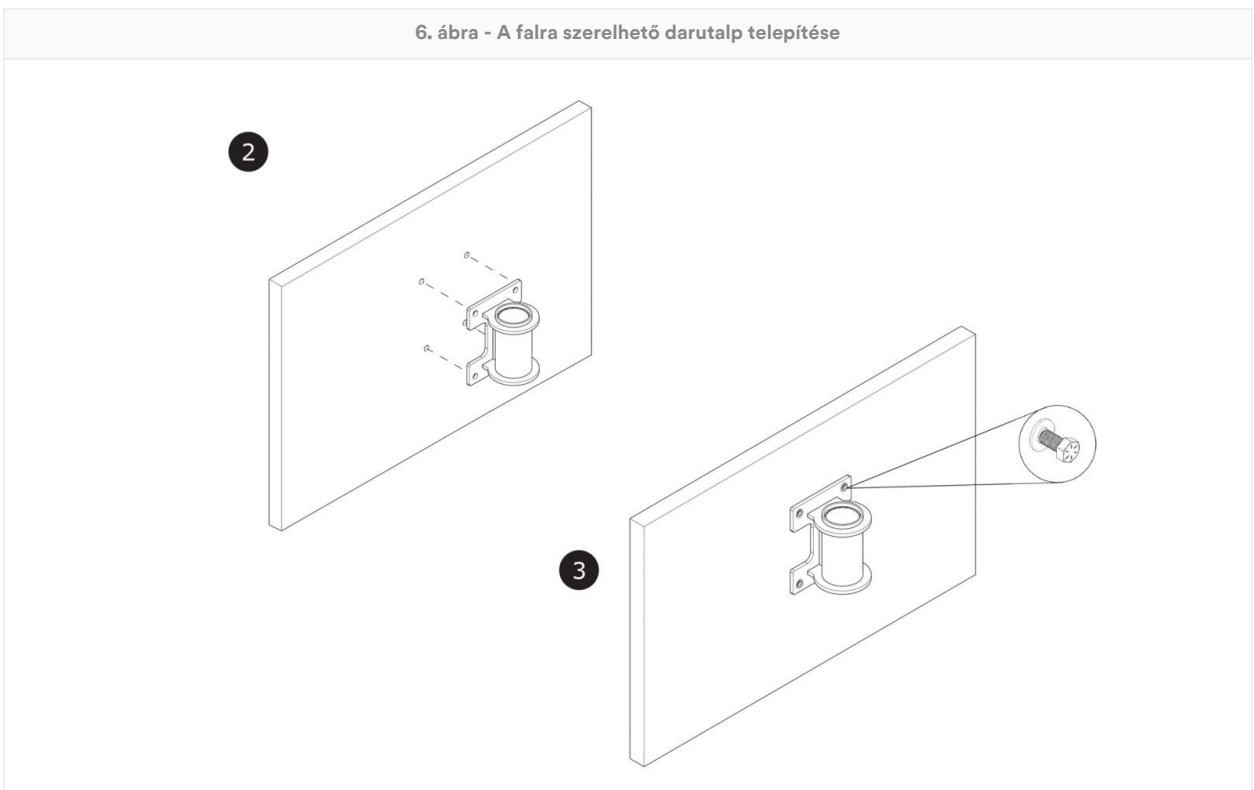
A darutalpat sík, függőleges felületre kell felszerelni.

2. **Helyezze el a darutalpat.** Igazítsa a szerelőlemezen lévő lyukakat a fúrt lyukakhoz. A darutalpat a függőlegeshez képest plusz-mínusz 1 fokon belül kell elhelyezni.
3. **Rögzítse a darutalpat.** Rögzítse a darutalpat a kiválasztott kötőelemekkel, a kötőelemgyártó utasításaiban meghatározottak szerint.

6. ábra - A falra szerelhető darutalp telepítése



6. ábra - A falra szerelhető darutalp telepítése



3.4 A daru rögzítése: A darutalp felszerelése után a felhasználó rögzítheti a darukart vagy -oszlopot a talphoz. A darut a rögzítőoszlophoz vagy a darutalp hüvelyében kell rögzíteni, az Ön által használt darutalpnak megfelelően. Ellenőrizze, hogy a daru biztonságos-e, és hogy a vezetők vagy rögzítőcsapok megfelelően vannak-e használva. További információkért lásd a gyártó utasításait a daruhoz vagy darurendszerhez.

4.0 Használat

4.1 Minden használat előtt: Ellenőrizze, hogy a munkaterület és a személyi zuhanásvédelmi rendszer megfelel-e a jelen útmutatóban meghatározott összes feltételnek. Ellenőrizze, hogy érvényben van-e hivatalos menekítési terv. Ellenőrizze a terméket a „felhasználói” ellenőrzési pontok szerint, amelyek az „ellenőrzési és karbantartási naplóban” vannak meghatározva. Ha az ellenőrzés során nem biztonságos vagy hibás állapotra derül fény, vagy ha bármilyen kétely merül fel a biztonságos használatra való alkalmassággal kapcsolatban, haladéktalanul vonja ki a terméket a használatból. Lásza el a terméket jól látható „HASZNÁLNI TILOS” jelzéssel. További információk az 5. részben találhatóak.

4.2 Kikötési pont: A termék teherbírása mellett minden leesés elleni védelmi rendszernek figyelembe kell vennie a tartószerkezetek vagy alkatrészek erősségét.

1. **Kikötés szerkezete:** A terméket csatlakoztató szerkezetnek képesnek kell lennie arra, hogy ellenálljon a termék leesés elleni védelmi rendszere által megengedett összes szükséges terhelésnek.

Nyomatékterhelés	136,400 in-lb. (15,41 kNm)
------------------	----------------------------

2. **Kikötési csatlakozási pontok:** A termékhez használt kikötési csatlakozási pontoknak ki kell bírniuk a termék által kifejtett terheléseket.
3. **Rögzítőelemek:** A terméket rögzítő kötőelemeknek elég erősnek kell lenniük ahhoz, hogy a termék használat közben is rögzítve maradjon. További információkért tekintse meg a kötőelemek gyártójának használati utasítását.

Kötőelem kihúzóerő	35,59 kN (8000 lbf)
Nyírószilárdság rögzítőelemenként	5,000 lbf (22.2 kN)

4.3 Zuhanást követően: Ha a jelen eszköz zuhanást gátolt meg, vagy zuhanásgátlási erőhatásnak volt kitéve, azonnal helyezze az eszközt használaton kívül. Jól láthatóan jelölje meg „HASZNÁLNI TILOS” felirattal. További információk az 5. részben találhatóak.

4.4 Anyagmozgatás: A 3M engedélyezi a termék rendeltetészerű anyagmozgatásra történő használatát. A helyi előírások vagy szabványok további korlátozásokat tartalmazhatnak, vagy szabályozhatják az anyagmozgatáshoz használt leesésvédelmi eszközök használatát.

⚠CAUTION:

Ezt a terméket kompatibilis daruval kell használni ahhoz, hogy anyagmozgatásra lehessen használni. Soha ne rögzítsen anyagterhet közvetlenül a darutalpra.

Mielőtt rögzítené az anyagi terhet, ellenőrizze, hogy azt felkészítették-e a szállításra.

Soha ne rögzítse ezt a terméket egyszerre az anyagokhoz és a felhasználókhöz.

Az anyagmozgatásra használt terméket a következő felhasználás előtt az illetékes személynek ellenőriznie kell. A helyi előírások vagy szabványok korlátozhatják a személyi használat és az anyagmozgatás közötti váltást.

1. **Rögzítse a darut.** Rögzítse a darut a darutalphoz a használati utasításban meghatározottak szerint.
2. **Rögzítsen egy összekötő alrendszert a daruhoz.** További információkért tekintse meg a gyártó utasításait a daruhoz.
3. **Rögzítse a zuhanásgátlót az anyagterheléshez.** Szükség szerint csökkentse vagy emelje az anyagterhelést.

Anyagmozgatási kapacitás

340 kg (750 font)

5.0 ellenőrzés

A berendezést a használatból történő kivonást követően mindaddig tilos ismét használatba állítani, amíg egy kompetens személy írásban meg nem erősíti, hogy ennek nincs akadálya.

5.1 Ellenőrzési gyakoriság: A terméket minden egyes használat előtt a felhasználónak, és ezen felül a felhasználtól eltérő illetékes személynek az alábbiakban meghatározott időközönként ellenőriznie kell. A felszerelés nagyobb gyakoriságú használata és szélsőségesebb körülmények miatt szükség lehet arra, hogy hozzáértő személyek gyakrabban ellenőrizzék azt. Ezeknek a vizsgálatoknak a gyakoriságát a hozzáértő személynek kell meghatároznia a munkaterület egyedi körülményei alapján.

Alkalmazandó szabvány vagy régió	Az illetékes személy által végzett ellenőrzések előírt gyakorisága
ANSI és OSHA	Évente egyszer
EN Szabványok	Évente egyszer
AS/NZS	Évente egyszer

5.2 Ellenőrzési eljárások: Vizsgálja meg a terméket a „Vizsgálati és karbantartási naplóban” felsorolt eljárásoknak megfelelően. A berendezés tulajdonosának minden ellenőrzésről dokumentációt kell vezetnie. Az ellenőrzési és karbantartási naplót a termék közelében kell elhelyezni, vagy annak más módon könnyen hozzáférhetőnek kell lennie a felhasználók számára. Ajánlott a terméken megjelölni a következő vagy legutóbbi ellenőrzés dátumát.

5.3 Hibák: Ha a terméket nem lehet többé használatba állítani létező hiba vagy nem biztonságos állapot miatt, akkor a terméket meg kell semmisíteni, vagy el kell küldeni a 3M-nek, illetve egy hivatalos 3M szervizközpontnak javítás céljából.

5.4 Termék élettartama: A termék funkcionális élettartamát a munkakörülmények és a karbantartás határozza meg. Amíg a termék megfelel az ellenőrzési kritériumoknak, üzemben maradhat.

6.0 Karbantartás, tárolás és javítás

A karbantartásra szoruló vagy beütemezett karbantartásra kijelölt berendezéseket „HASZNÁLNI TILOS” felirattal kell ellátni. Ezeket a berendezéscímkéket nem szabad eltávolítani a karbantartás elvégzéséig.

6.1 Tisztítás: Rendszeresen tisztítsa meg a termék fémalkatrészeit meleg vízzel és enyhe szappanos vízzel. Öblítse le a terméket tiszta vízzel, majd hagyja levegőn megszáradni. Bővebb információért olvassa el a műszaki tájékoztatót a webhelyünkön: <https://www.3M.com/FallProtection/Mechanical-Device-Cleaning>

6.2 Javítás: A berendezést csak a 3M vagy a 3M által írásban meghatalmazott felek javíthatják.

6.3 Tárolás és szállítás: Hűvös, száraz, tiszta, közvetlen napfénytől védett környezetben tárolja és szállítsa a terméket. Kerülje az olyan területeket, ahol a berendezések vegyszergőzhetnek kitéve. Hosszabb tárolás után alaposan ellenőrizze az alkatrészeket.

A tartósan telepített talpakat nem szabad elvinni a munkavégzés helyéről. Más alkatrészek eltávolíthatók ezekről az talpakról tárolás vagy szállítás céljából, de a talpnak a helyén kell maradnia.

⚠️WARNING:

A meleg és a rendkívül hideg környezet közötti hirtelen átmenetek befolyásolhatják a berendezés teljesítményét. A mechanikus eszközöket (például az önvisszahúzó eszközöket, csörlőket, behúzóeszközöket, mászóhüvelyeket stb.) a munkakörnyezethez hasonló hőmérsékleten történő tárolásukkal kell alkalmassá tenni a szélsőséges hidegben vagy hőségben történő használatra. Használat előtt mindig végezze el a berendezés használat előtti ellenőrzését a munkakörnyezetében.

7.0 Címkék és jelölések

7.1 Összefoglaló: A „Termékcímkék” ábra a terméken található címkéket és jelöléseket mutatja be. Az egyes címkékhez és jelölésekhez kapcsolódó információk összefoglalását lásd alább.

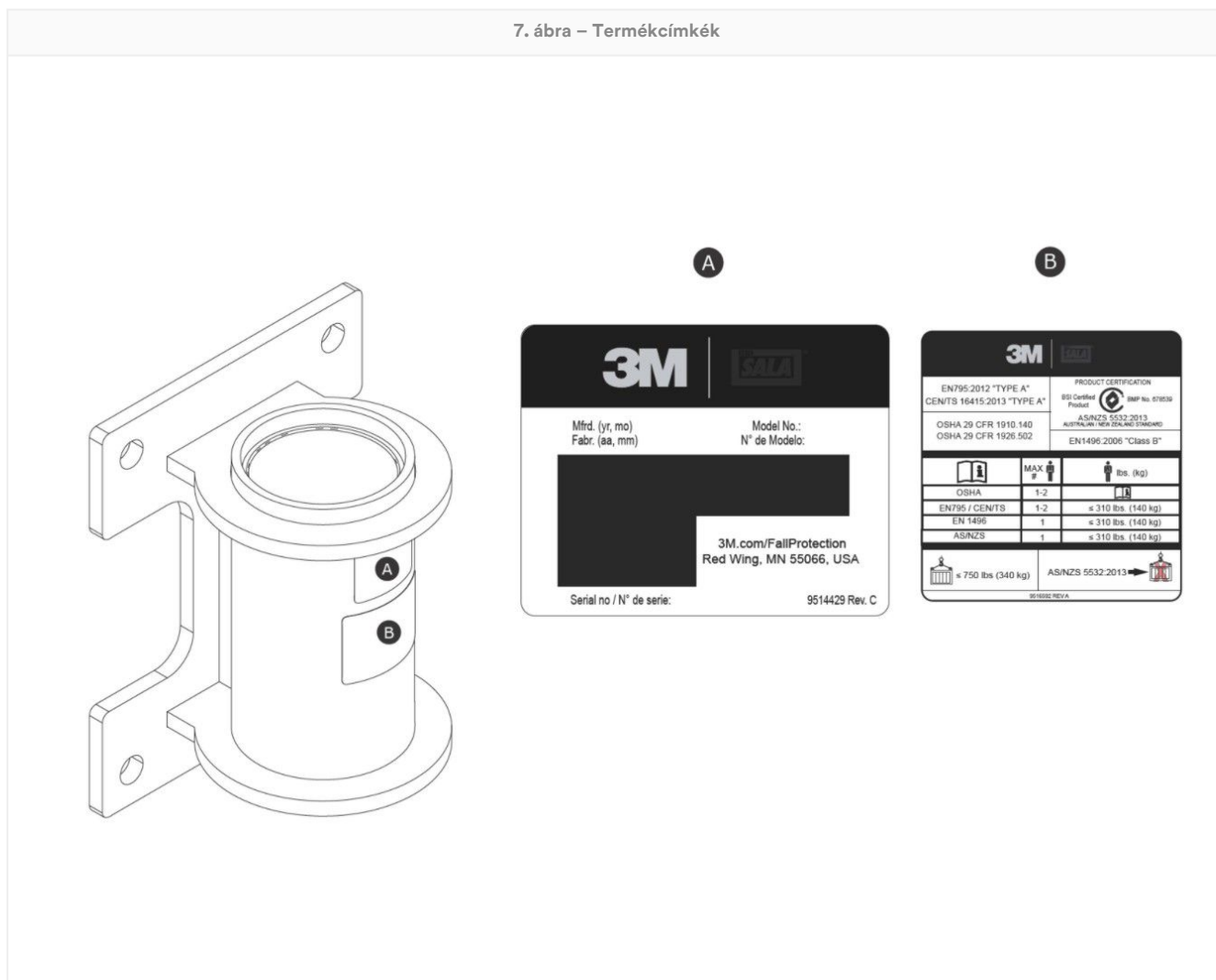
NOTICE:

A címkéken szereplő képek ábrázolási céllal készültek. Konkrét információkért olvassa el a termékismertető címkéket.

A hiányzó vagy sérült címkéket pótolni kell. Minden címkének teljesen olvashatónak kell lennie.

A	Termékjellemzők címke
B	Azonosítócímke

7. ábra – Termékcímkék



Fogalomtár

Definíciók: A következő fogalmak és meghatározások szerepelnek ebben az utasításban:

A kifejezések és meghatározások átfogó listájáért látogasson el weboldalunkra: www.3m.com/FallProtection/ifu-glossary

- **Feljogosított személy:** A munkaadó által az olyan helyen végzett feladatok ellátására kijelölt személy, ahol az adott személy zuhanásveszélynek van kitéve.
- **Hozzáértő személy:** Olyan valaki, aki képes beazonosítani a környezet jelenlegi és előre látható veszélyeit, valamint a munkavállalók számára egészségtelen, veszélyes vagy kockázatos munkakörülményeket, és aki megfelelő felhatalmazással rendelkezik arra, hogy azonnal beavatkozzon és megszüntesse az ilyen körülményeket.
- **Zuhanásgátló rendszer:** Zuhanásvédelmi felszerelések együttese, amelynek feladata a felhasználójának védelme leesés esetén.
- **Képesített szakember:** Elismert képzéssel, bizonyítvánnyal vagy professzionális pozícióval rendelkező személy, vagy olyan személy, aki széles körű ismereteivel, képzettségével és tapasztalatával sikeresen igazolta, hogy képes megoldani vagy elhárítani zuhanásvédelmi és mentési rendszerekkel kapcsolatos problémákat a vonatkozó országos, területi és helyi szabályozások által megkövetelt mértékben.
- **Mentési rendszer:** Zuhanásvédelmi felszerelések együttese, amelynek feladata, hogy egy személyt veszélyes környezetből biztonságos környezetbe juttasson. A szabadesés nem megengedett.
- **Mentési szakember:** A mentési rendszert asszisztált mentés végrehajtásához használó személy.
- **Leesésgátló rendszer:** Zuhanásvédelmi felszerelések együttese, amelynek feladata a felhasználó zuhanásveszélyes helyzetbe kerülésének kiküszöbölése. A szabadesés nem megengedett.
- **Felhasználó:** Személy, aki tevékenységet végez zuhanásvédelmi rendszer által biztosított védelem mellett.
- **Munkahelyzet-beállító rendszer:** Zuhanásvédelmi felszerelések együttese, amelynek feladata a felhasználó megtartása adott munkavégzési helyzetben.

Vizsgálati és karbantartási napló

E táblázat egy példányát minden egyes ellenőrzéshez használni kell. Az alábbi információkat rögzítse.

Gyártó: 3M Fall Protection

Modellszám (sorozatszám):

Vásárlás dátuma:

Első használat dátuma:

A terméket a felhasználónak használat előtt minden alkalommal ellenőriznie kell. Ezen kívül a felhasználótól eltérő, hozzáértő személynek az 5. szakaszban meghatározott időközönként ellenőriznie kell ezt a berendezést.

Alkatrész	Ellenőrzési eljárás	Ellenőrzés eredménye (megfelelt vagy nem felelt meg)
Termék (2. ábra)	Ellenőrizze a darutalpat sérülések, deformáció, korrózió és rozsda szempontjából. Keressen repedéseket, hajlításokat, horpadásokat vagy kopásokat, amelyek befolyásolhatják a rendszer szilárdságát és működését. A korrózió ellenőrzése során a rögzítőeszközt, annak rögzítőelemeit vagy kötőelemeit és azt a szerkezetet is ellenőrizni kell, amelyhez a rögzítőeszközt rögzítették.	
	Ellenőrizze az összes kötőelemet sérülés vagy korrózió szempontjából. Szükség szerint húzza meg.	
	Vizsgálja meg az összes mozgó alkatrészt, hogy nincsenek-e rajtuk forgácsok, repedések, törések vagy kopott területek, amelyek használat közben hibás működést okozhatnak.	
Címkék	Az összes címkének jelen kell lennie, teljesen olvasható állapotban.	
Zuhanásvédelmi felszerelés	A termékkel együtt használt további zuhanásvédelmi felszereléseket a gyártó utasításai szerint telepítik és ellenőrzik. Ellenőrizze, hogy az egyes termékek szilárdsági besorolása kompatibilis és elegendő a tervezett alkalmazáshoz.	

A termékellenőrzés összefoglalása

Ha a termék nem felel meg az egyik ellenőrzési eljárásnak, akkor a termék nem felelt meg az általános ellenőrzésnek. Ha a termék nem felel meg az ellenőrzésnek, azonnal használaton kívül kell helyezni. Lásd el a terméket jól látható „HASZNÁLNI TILOS” jelzéssel. További információk az 5. részben találhatóak.


Ellenőrzés típusa:	<input type="checkbox"/> Felhasználó	<input type="checkbox"/> Kompetens személy	Az általános ellenőrzés eredménye:	
Az ellenőrzést végezte:			Az ellenőrzés dátuma:	
Aláírás:			Következő ellenőrzés esedékes:	
További megjegyzések:				

Tanúsítványok

A termék megfelel a jelen használati útmutató borítóján jelzett nemzeti vagy regionális szabványoknak. A tanúsítás és a megfelelés korlátozódhat egyes termékmodellekre vagy alkalmazásokra.

A tanúsítási vagy megfelelési követelményekkel kapcsolatos további információkért olvassa el a termékére vonatkozó szabványokat és előírásokat.

Az AS/NZS szabványok szerinti felhasználóknak az AS/NZS 1891.4 szabványt kell tanulmányozniuk a kiválasztási, használati, karbantartási és képzési követelményekkel kapcsolatban.

BSI tanúsított termék AS/NZS 5532:2013 Licenc: BMP 678539	BSI - Központi iroda Suite 1, Level 1, 54 Waterloo Road Macquarie Park, NSW, 2113 Ausztrália	
---	--	---

Globális termékszavatosság, korlátozott jogorvoslat és a felelősség korlátozása

Garancia: A következők minden kifejezett vagy hallgatóság szavatosság vagy feltétel helyettesítésére szolgálnak, beleértve az eladhatóságra vagy a meghatározott célra való alkalmasságra vonatkozó hallgatóság garanciákat vagy feltételeket.

Hacsak a helyi jogszabályok másként nem rendelkeznek, a 3M zuhanásvédelmi termékekre egy év garancia érvényes anyag- és gyártási hiba esetén, a termékek felszerelésének dátumától vagy az eredeti tulajdonos általi első használatba vétel napjától számítva.

Korlátozott jogorvoslat: A 3M-nek küldött írásos értesítés után, a 3M megjavít vagy kicserél bármely, a 3M által megállapított anyag- vagy gyártási hibával rendelkező terméket. A 3M fenntartja a jogot arra, hogy igényelje a termék visszajuttatását annak gyártási helyére a garanciaigény elbírálása céljából. A garancia nem terjed ki a termék elhasználódására, a helytelen vagy nem megfelelő használatból eredő sérülésekre, a szállítási sérülésekre, a karbantartás hiányából vagy egyéb, a 3M-nek nem felróható okokból fellépő meghibásodásokra. A 3M saját maga dönti el termék állapotát és garanciális lehetőségeit.

Ez a garancia kizárólag az eredeti vásárlóra terjed ki, és a 3M zuhanásvédelmi termékeire ez az egyetlen érvényben lévő garancia. Támogatásért forduljon a 3M regionális ügyfélszolgálati részlegéhez.

A felelősség korlátozása: A helyi törvények által megengedett mértékben a 3M nem vállal felelősséget semmilyen közvetett, véletlen, különleges vagy következményes kárért, beleértve, de nem kizárólagosan a nyereségkiesést, amely bármilyen módon kapcsolódik a termékekhez, függetlenül az érvényesíthető jogi elmélettől.

3M™ DBI-SALA® Wall Mount Davit Base

Notendaleiðbeiningar

Eyðublaðsnúmer: Endurskoðun 5903663: F

Þessi vara er vottuð samkvæmt eða samræmist eftirfarandi stöðlum og reglugerðum. Vottun og samræmi getur verið takmarkað við einstakar gerðir vöru eða notkun. Frekari upplýsingar er að finna í *Vottanir*.

- OSHA 29 CFR 1910.140, 1926.502
- EN 795:2012 (gerð A)
- CEN/TS 16415:2013 (gerð A)
- EN 1496:2006 (ákvæði 4.6)
- AS/NZS 5532:2013

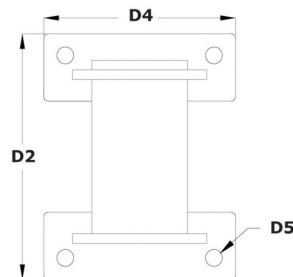
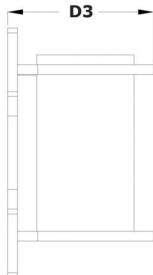
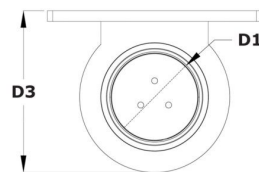
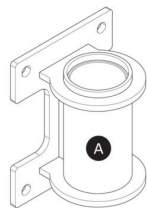
⚠WARNING:

Upplýsingar um auðkenningu vörukóða er að finna í forskriftartöflum vöru. Frekari upplýsingar er að finna í vörulýsingunni.

Sumir íhlutir eru hugsanlega ekki með vottun hver fyrir sig og þá gæti þurft að setja saman til að þeir uppfylli vottunarkröfur.

Mynd 1 – vöruyfirlit

Gerð	Stíll	D1	D2	D3	D4	D5	Þyngd vöru
8000101	A	10,2 cm (4,0 to.)	32,4 cm (12,75 tommur)	19,0 cm (7,5 to.)	25,4 cm (10,0 to.)	22,2 mm (0,88 to.)	15,7 kg. (34,0 pund)
8000102	A	10,2 cm (4,0 to.)	32,4 cm (12,75 tommur)	19,0 cm (7,5 to.)	25,4 cm (10,0 to.)	22,2 mm (0,88 to.)	15,7 kg. (34,0 pund)



Öryggisupplýsingar

Þú þarft að hafa lesið, skilið og fylgt öllum öryggisupplýsingum í þessum leiðbeiningum áður en þú notar þessa vöru. EF LEIDBEININGUM ÞESSUM ER EKKI FYLGT GETUR ÞAÐ VALDID ALVARLEGUM MEIÐSLUM EÐA DAUÐA.

Þessar leiðbeiningar verður að afhenda notanda búnaðarins. Geymdu þessar leiðbeiningar til notkunar síðar.

Öryggisupplýsingar

Eyðublað: Endurskoðun 5908277: B

Fyrirhuguð notkun

Þessi vara er notuð sem hluti af heildstæðu fallvarnarkerfi.

Önnur notkun vörunnar, þar með talið, en ekki takmarkað við, vinnsla á ósamþykktu efni eða notkun í afþreyingarskyni eða við íþróttaiðkun, er ekki samþykkt af 3M og gæti leitt til alvarlegra meiðsla eða dauða.

Þessi vara er aðeins ætluð starfsfólki sem fengið hefur til þess þjálfum á vinnusvæði.

⚠ Viðvörðun

Þessi vara er notuð sem hluti af heildstæðu fallvarnarkerfi.

Allir notendur verða að hafa fengið fulla þjálfun í öruggri uppsetningu og notkun á því heildstæða fallvarnarkerfi sem þeir nota. Röng notkun á þessari vöru gæti valdið alvarlegum meiðslum eða dauða. Upplýsingar um rétt val, notkun, uppsetningu, viðhald og þjónustu er að finna í leiðbeiningahandbókum og tilmælum framleiðanda. Frekari upplýsingar fást hjá yfirmanni eða hjá tæknipjónustudeild 3M.

- **Til að draga úr áhættu sem fylgir notkun á aðgangs- og björgunarbúnaði fyrir lokuð rými og sem gæti valdið alvarlegum meiðslum eða dauða:**
 - Skoðaðu vöruna fyrir hverja notkun og eftir hvert falltilvik, í samræmi við verklagsreglurnar sem tilgreindar eru í þessum leiðbeiningum.
 - Ef skoðun leiðir í ljós ótraust ástand eða galla skal tafarlaust taka vöruna úr notkun og merkja hana með greinilegum hætti „EKKI NOTA“. Fargaðu vörunni eða gerðu við hana samkvæmt kröfunum í þessum leiðbeiningum.
 - Allar vörur sem hafa stöðvað fall eða fengið á sig högg þarf tafarlaust að taka úr notkun. Fargaðu vörunni eða gerðu við hana samkvæmt kröfunum í þessum leiðbeiningum.
 - Gakktu úr skugga um að fallvarnarkerfi sem eru sett saman úr íhlutum sem framleiddir eru af mismunandi aðilum séu samhæf og uppfylli allar viðeigandi fallvarnarreglur, staðla eða kröfur. Áður en slík kerfi eru notuð skal ávallt hafa samráð við hæfan aðila.
 - Vöruna má aðeins setja upp í samræmi við lýsingar í leiðbeiningahandbókum sem henni fylgja. Uppsetningar og notkun utan gildissviðs þessara leiðbeiningahandbóka skal vera skriflega samþykkt af 3M.
 - Tengdu aðeins fallvörn undirkerfi við tilgreinda festingartengipunkta á vörunni.
 - Fyrir uppsetningu skal ganga úr skugga um að uppsetningaraðferðirnar og varan skerði ekki virkni rafleiðslna, gasleiðslna eða annarra mikilvægra efna eða kerfa.
 - Gakktu úr skugga um að varan sé sérstíll og sett upp á réttan hátt til að tryggja örugga notkun, eins og lýst er í þessum leiðbeiningum.
 - Ekki snúa upp á, binda eða hnýta hnúta á björgunarlínuna, eða gefa slaka á hana.
 - Ekki fara yfir þann fjölda leyfilegra notenda sem tilgreindur er í þessum leiðbeiningum.
 - Sýnið aðgát við uppsetningu, notkun eða tilfærslu á vörunni, þar sem hreyfanlegir hlutar geta skapað hættu á að klemmast.
 - Fara verður eftir ferlum við að læsa og merkja þegar það á við.
 - Starfsfólk má ekki vera tengt við búnaðinn á meðan verið er að flytja hann eða setja hann upp.
- **Til að draga úr áhættu sem fylgir því að starfa í mikilli hæð sem gæti, verði henni ekki forðað, leitt til alvarlegra slysa eða dauða:**
 - Heilsa þín og líkamlegt ástand þarf að vera fullnægjandi til að þú sért fær um að vinna á öruggan hátt í hæð og þola högg sem verða við hugsanlega fallstöðvun. Hafðu samband við lækinn þinn ef þú hefur spurningar varðandi færni þína til að nota þennan búnað.
 - Aldrei má fara yfir leyfilegt burðarþol fallvarnarbúnaðarins.
 - Aldrei má fara yfir hámarksfjarlægð fyrir frjálst fall sem tilgreind er fyrir fallvarnarbúnaðinn þinn.
 - Ekki nota fallvarnarbúnað sem stenst ekki skoðun eða ef þú hefur áhyggjur af notkun eða hæfi búnaðarins. Hafðu samband við þjónustudeild 3M ef frekari spurningar vakna.
 - Sum undirkerfi og samsetningar íhluta geta truflað notkun þessa búnaðar. Aðeins skal nota tengingar sem eru samhæfar við þennan búnað. Hafðu samband við þjónustudeild 3M áður en þessi búnaður er notaður með öðrum íhlutum eða undirkerfum en þeim sem lýst er í þessum leiðbeiningum.
 - Beittu auknum varúðarráðstöfunum þegar þú vinnur í kringum vélar á hreyfingu, þar sem hætta á raflosti er til staðar, mjög hátt hitastig, eða hætta vegna iðefna, nálægt sprengifimum eða eitruðum lofttegundum, skörpum brúnum eða svarfflötum eða fyrir neðan efni sem gæti fallið á þig eða fallvarnarbúnaðinn þinn.
 - Gakktu úr skugga um að notkun vörunnar þinnar sé kvörðuð fyrir þá áhættuþætti sem eru fyrir hendi í þínu vinnuumhverfi.
 - Gakktu úr skugga um að það sé nægilegt fallbil þegar unnið er í hæð.
 - Aldrei gera breytingar á samsetningu eða gerð fallvarnarbúnaðarins. Aðeins 3M, eða einstaklingar sem 3M hefur veitt skriflegt leyfi, mega framkvæma viðgerðir á 3M-búnaði.
 - Áður en fallvarnarbúnaður er notaður skal tryggja að skrifleg björgunaráætlun sé til staðar til að veita bráðaaðstoð ef fallatvik á sér stað.
 - Ef fall á sér stað skal leita læknishjálpar tafarlaust fyrir þann/þá sem fyrir fallinu varð.
 - Aðeins skal nota beisli fyrir allan líkamann með fallvarnarbúnaði. Ekki skal nota líkamsbelti.
 - Lágmarka skal sveiflur með því að vinna eins beint fyrir neðan festipunktinn og mögulegt er.
 - Við þjálfun starfsfólks í notkun þessarar vöru verður að nota varafallvarnarbúnað. Starfsmaður í þjálfun má aldrei eiga á hættu að lenda óvænt í fallhættu.
 - Notaðu alltaf viðeigandi persónuhlífar þegar þú setur upp, notar eða skoðar vöruna.
 - Aldrei skal vinna undir upphengdri byrði eða starfsmanni sem hangir í línu.
 - Ávallt skal halda 100% bindingu.

Vöruyfirlit

Gangið ávallt úr skugga um að notuð sé nýjasta útgáfa leiðbeiningahandbóka frá 3M. Hægt er að nálgast uppfærðar leiðbeiningahandbækur á www.3m.com/userinstructions eða með því að hafa samband við þjónustudeild 3M.

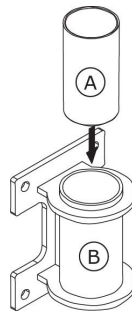
Fyrir notkun búnaðarins skal afrita merkingu búnaðarins í „Eftirlits- og viðhaldsskrá“ á bakhlið þessarar handbókar.

Mynd 1 sýnir tiltæk gerðarnúmer. Davit-undirstöðurnar eru sá hluti Davit-kerfisins sem hjálpa þér að festa það við jörðina. Búnaðurinn er festur við undirstöðuna og virkar því sem stillanlegur, hreyfanlegur festipunktur fyrir notandann. Sjá leiðbeiningar framleiðanda fyrir samhæfð Davit eða Davit-kerfi til að fá frekari upplýsingar um notkun kerfisins.

Mynd 2 tilgreinir lykilmætti tiltækra vörugerða. Davit-undirstaðan samanstendur af tveimur hlutum: a Þynna (A) og Davit Sleeve (B). Þynnan gerir festu Davit kleift að snúast án fyrirstöðu inn í Davit-slífinni. Slífinni fylgir áföst festiplata sem ætluð er til að festa Davit-undirstöðuna við burðarvirki.

Hvert vörulíkan hefur sínar eigin forskriftir eins og sjá má á mynd 1. Sjá töflur yfir tæknilýsingar vöru til að fá frekari upplýsingar.

Mynd 2 – íhlutir



Tafla yfir tæknilýsingar vöru

Tæknilýsing kerfis

Afkastageta notanda:	Frekari upplýsingar er að finna í leiðbeiningum frá framleiðanda samhæfs Davit kerfis.
Staðlar:	Hver vörutegund er annaðhvort vottuð eða uppfyllir viðeigandi staðla og reglugerðir sem tilgreind eru á mynd 1. Ef ekkert er tilgreint gilda allir staðlar og reglugerðir sem skráð eru á umbúðunum.

Tæknilýsing íhluta

Mynd 2, tilvísun	Íhlutur	Efni
A	Þynna	Háþéttni pólýetýlen
B	Davit Sleeve	8000101: Galvaníserað kolefnisstál
		8000102: Ryðfritt stál

1.0 Vörunotkun

1.1 Tilgangur: Davit-búnaður virkar sem hreyfanlegur festibúnaður fyrir fallvarnarkerfi. Samstæður og íhlutir eru breytileg eftir kerfum. Til að fá frekari upplýsingar um notkun kerfis, sjá ið „Vöruyfirlit“ og aðra kafla um uppsetningu eða notkun.

1.2 Eftirlit: Notkun þessa búnaðar skal fara fram undir eftirliti hæfs aðila. Uppsetning þessa búnaðar skal fara fram undir eftirliti hæfs aðila. Viðurkenndur aðili verður að staðfesta að uppsetningin uppfylli staðbundnar reglur og alríkislög. Viðurkenndur aðili þarf einnig að samþykkja festingar og staðsetningu á undirstöðu Davit-búnaðar.

1.3 Dreifing og endursala: Ef þessi vara er endurseld utan upprunalandsins skal endursöluaðillinn veita þessar leiðbeiningar á tungumáli landsins þar sem varan verður notuð.

1.4 Þjálfun: Búnaðurinn þarf að vera settur upp og notaður af aðilum sem hafa hlotið þjálfun í réttri notkun hans. Þessar leiðbeiningar skal nota sem hluta af þjálfun starfsmanna í samræmi við landsbundnar eða svæðisbundnar kröfur. Það er á ábyrgð notenda og uppsetningaraðila þessa búnaðar að þeir/þær hafi náð góðum skilningi á leiðbeiningum þessum og hlotið þjálfun í réttri umhirðu og notkun þessa búnaðar. Einnig er nauðsynlegt að þeir/þær skilji eiginleika búnaðarins við notkun, takmarkanir hans, og hvaða afleiðingar það getur haft að nota þennan búnað á rangan hátt.

1.5 Björgunaráætlun: Við notkun búnaðarins og tengdra undirkerfa verður vinnuveitandi að gera skriflega björgunaráætlun og hafa tilföng til að hrinda slíkrí áætlun í framkvæmd og miðla henni til notenda, aðila með leyfi og björgunaraðila. Mælt er með að þjálfað björgunarteymi sé á staðnum. Meðlimir í björgunarteymi þurfa að fá nauðsynlegan búnað og tækni til að geta framkvæmt farsæla björgun. Þjálfun ætti að fara fram með reglubundnum hætti til að tryggja skilvirkni við björgun. Björgunarfólk ætti að fá þessar leiðbeiningar í hendur. Hægt þarf að vera að sjá eða hafa samskipti við aðilann sem verið er að bjarga öllum stundum meðan á björguninni stendur.

2.0 Kerfiskröfur

2.1 Festingar: Festingarstaður þessarar vöru verður að geta þolað alla farmþyngd innan leyfilegra marka fallvarnarkerfisins. Nánari upplýsingar eru í 4. kafla.

2.2 Rýmd: Afkastageta notanda fullbúins fallvarnarkerfis takmarkast við hámarksafkastagetu íhlutarins sem hefur lægstu uppgefnu afkastagetuna. Ef tengda kerfið hefur til dæmis lægri afkastagetu en beltið þarf að fylgja kröfum tengda kerfisins fyrir afkastagetu. Kröfur um afkastagetu fyrir hvern íhlut kerfisins er að finna í leiðbeiningum framleiðanda.

2.3 Umhverfishætta: Notkun þessa búnaðar á svæðum með umhverfishættu getur krafist viðbótarráðstafana til að koma í veg fyrir meiðsl á notendum eða skemmdir á búnaði. Hættur geta meðal annars verið: hiti, iðefni, ætandi umhverfi, háspennulínur, sprengifimar eða eitraðar lofttegundir, vélbúnaður á hreyfingu, hvassar brúnir eða efni fyrir ofan sem getur fallið niður eða komist í snertingu við notandann eða búnaðinn. Hafðu samband við þjónustudeild 3M til að fá frekari skýringar.

2.4 Hætta fyrir öryggislínu:: Tryggðu að líflínunni sé haldið frá allri hættu, þar á meðal en takmarkast ekki við: að notendur flæki sig í henni, öðrum starfsmönnum, hreyfanlegum vélum, öðrum hlutum í kring eða höggum frá hlutum sem gætu fallið á öryggislínuna eða notendur.

2.5 Samhæfi íhluta: Búnaður frá 3M er sérhannaður til notkunar með öðrum búnaði frá 3M. Kalla verður til hæfan aðila til að samþykkja notkun á búnaði frá öðrum framleiðendum en 3M. Þegar upprunalegum búnaði er skipt út fyrir ósamþykktan búnað getur slíkt dregið úr samhæfi búnaðarins og haft áhrif á öryggi og áreiðanleika fallvarnarkerfisins. Áður en búnaðurinn er notaður skaltu lesa og fylgja öllum viðeigandi fyrirmælum og varnaðarorðum.

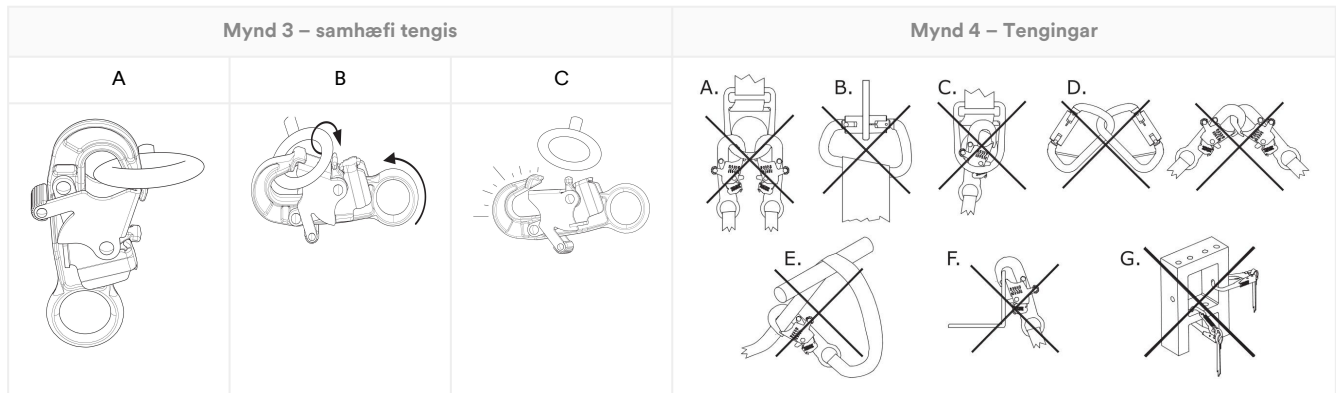
2.6 Samhæfi tengingar: Tenging er samhæf við tengieiningar þegar stærð og lögun hvors íhlutar veldur því ekki að tengið opnast fyrir slysi, óháð því hvornig það snýr. Tenging verða að uppfylla viðeigandi staðla. Tenging verða að vera alveg lokuð og læst við notkun.

Tengi 3M (smellukrókar og karabínur) eru aðeins ætluð til notkunar eins og tilgreint er í notkunarleiðbeiningum þeirra. Tryggðu að tengi séu samhæf við kerfisíhluti sem þau tengjast. Ekki nota búnað sem er ekki samhæfur. Séu íhlutir sem ekki eru samhæfir notaðir getur það valdið því að tengið losni fyrir slysi. Sjá dæmi á mynd. Ef tengieining sem tengi er fest við er of lítil eða óregluleg að lögun gæti ástand komið upp þar sem tengieiningin beitir afli á hlið tengisins (A). Þetta afl getur síðan valdið því að hliðið opnast (B) og tengið losni frá tengieiningunni (C).

2.7 Tenging framkvæmd: Allar tengingar verða að vera af sambærilegri stærð, lögun og styrkleika. Á mynd má sjá dæmi um ranga tengingu. Ekki festa smellukróka og karabínur:

1. Við D-hring sem annað tengi er fest við.
2. Á þann hátt sem mundi orsaka álag á hliðið. Ekki skal tengja smellukróka með stórrí smellu við D-hringi eða annan tengibúnað nema hliðstyrkur smellukróksins sé 16 kN (3600 lbf) eða meiri.
3. Við ófullkomna tengingu, þar sem stærð eða lögun tengis eða tengibúnaðar er ekki samhæf, sem virðist vera í lagi, án sjónrænnar staðfestingar.

4. Við hvort annað.
5. Beint við efnið í beislinu, dragreipinu eða tengibúnaðinum nema slíkar festingar séu leyfðar sérstaklega í leiðbeiningum framleiðanda.
6. Við hlut af stærð sem gerir það að verkum að ekki er hægt að loka tenginu og læsa að fullu eða sem tengi getur runnið af.
7. Á þann hátt sem kemur í veg fyrir að tengið samstillist rétt undir álagi.



3.0 Uppsetning

3.1 Yfirlit: Uppsetning á Davit-búnaði getur verið langt ferli með mörgum verkþáttum. Góð skipulagning og meðvitund um vinnusvæðið og búnaðinn hjálpar til við að gera ferlið eins hnökralaust og mögulegt er.

3.2. Áætlanagerð: Skipuleggið fallvarnarkerfið áður en vinna hefst. Takið tillit til allra þátta sem geta haft áhrif á öryggi fyrir fall, meðan á því stendur, og eftir fall. Taktu tillit til krafna og takmarkana sem fram koma í þessum leiðbeiningum.

1. **Skarpar brúnir:** Ekki vinna á stöðum þar sem íhlutir kerfisins geta komist í snertingu við óvarðar, skarpar brúnir og svarfandi yfirborð. Þekja verður allar skarpar brúnir og svarfandi yfirborð með hlífðarefni.
2. **Samhæfi:** Þegar kerfið er sett upp er mikilvægt að nota samhæfa íhluti. Hver gerð vörunnar er samhæfð til notkunar með tilteknum vörugerðum eða hönnunarlínum.

Einnig er hægt að fá framlengingu á Davit-mastrið fyrir Davit-undirstöðuna sem passar með tilgreindum Davit-búnaði.

Samhæfar Davit gerðir	Notkunarleiðbeiningar Davit
8000107	5908417
8000108	5908417
8000130	5908364
8000131	5908364

3.3 Uppsetning á Davit-undirstöðu: Setjið upp Davit-undirstöðuna samkvæmt þeim leiðbeiningum sem fylgja þinni vörugerð.

Hreinsa skal allt rusl af yfirborði burðarvirkisins áður en Davit-undirstaðan er sett upp.

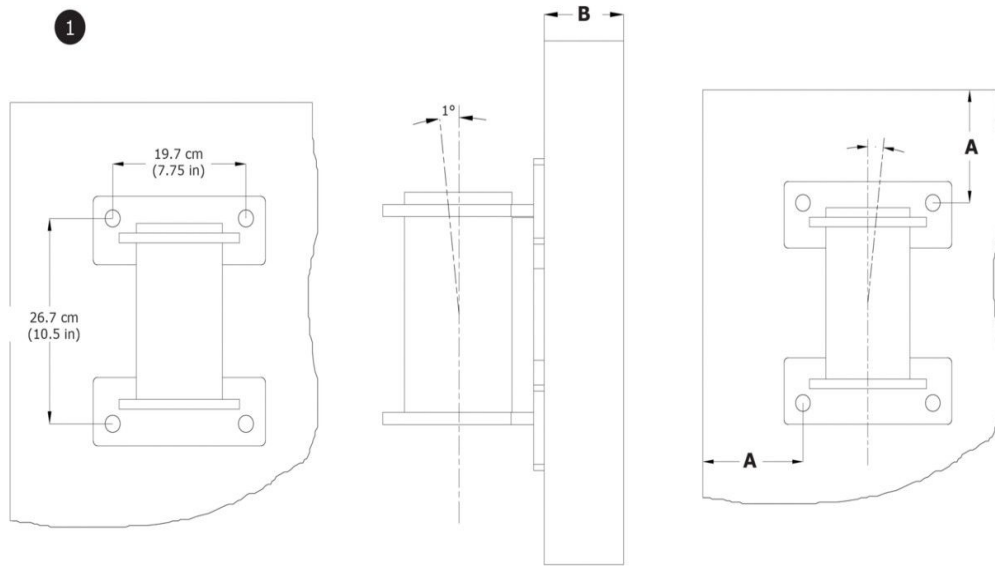
A. Wall Mount Davit Base: Það verður að undirbúa Davit-undirstöðuna fyrir notkun.

1. **Undirbúðu staðsetninguna.** Veljið festivirki sem hentar til að setja Davit-undirstöðuna upp, ákveðið svo hvar undirstaðan á að vera uppsett. Það verður að vera nægilegt bil frá brúninni (A) og nægileg efnisþykkt (B) til að hafa burðarstyrk fyrir samsetninguna þína og kerfið. Merktu fyrir og boraðu öll festigöt samkvæmt ráðleggingum frá framleiðanda festinganna um þvermál og dýpt.

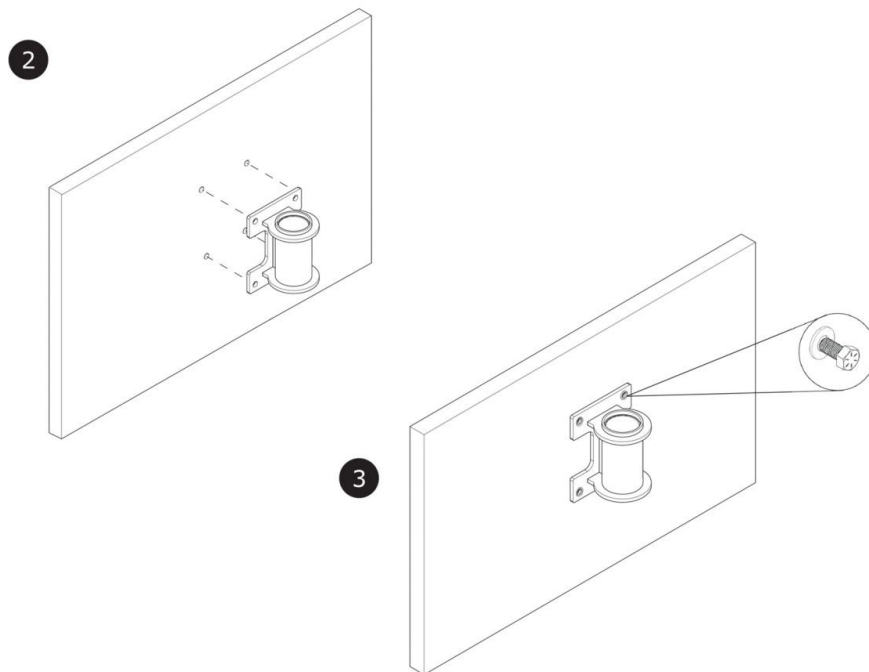
Davit-undirstaðan skal sett upp á flötu og lóðréttu yfirborði.

2. **Komið Davit-undirstöðunni fyrir.** Stillið götin í festiplötunni þannig að þau passi við borgötin. Davit-undirstaðan verður að vera staðsett minna en 1 gráðu plús eða mínus frá lóðréttri stöðu.
3. **Festið Davit-undirstöðuna.** Festið Davit-undirstöðuna með völdum festingum eins og tilgreint er í leiðbeiningum frá framleiðanda festinganna.

Mynd 6 - Uppsetning á Wall Mount Davit Base



Mynd 6- Uppsetning á Wall Mount Davit Base



3.4 Að festa Davit: Eftir að Davit-undirstaðan hefur verið sett getur notandinn fest Davit-arminn eða mastrið við undirstöðuna. Davit skal fest við festistöngina eða inn í slíf Davit-undirstöðunnar, eftir því sem við á fyrir þá Davit-undirstöðu sem þú ert að nota. Gangið úr skugga um að Davit sé tryggt og að allar stýringar eða láspinnar séu rétt notuð. Frekari upplýsingar er að finna í leiðbeiningum frá framleiðanda Davit kerfisins.

4.0 Notkun

4.1 Fyrir sérhverja notkun: Staðfestu að vinnuvæðið og fallvarnarkerfið uppfylli öll skilyrði sem tekin eru fram í þessum leiðbeiningum. Staðfestu að formleg björgunaráætlun sé til staðar. Skoðaðu vöruna í samræmi við skoðunarpunkta „notanda“ sem skilgreindir eru í „Eftirlits- og viðhaldsskrá“. Ef skoðun leiðir í ljós galla eða ef einhver vafi leikur á öryggi við notkun skal hætta notkun vörunnar tafarlaust. Merkið vöruna greinilega með merkinu „EKKI NOTA“. Nánari upplýsingar eru í kafla 5.

4.2 Festingar: Til viðbótar við afkastagetu vörunnar skal fallvarnarkerfi taka tillit til styrkleika allra burðarvirkja eða íhluta.

1. **Festingarstaður:** Festingarstaður þessarar vöru verður að geta þolað nauðsynlega farmþyngd samkvæmt fallvarnarkerfi vörunnar.

Vægisálag	136.400 in-lb. (15,41 kN*m)
-----------	-----------------------------

2. **Tengistaðir festinga:** Tengistaðir festinga sem notaðir eru með vörunni verða að geta þolað allt álag sem varan veldur.
3. **Festingar:** Allar festingar sem festa vöruna á sínum stað verða að vera nógu sterkar til að halda vörunni fastri á meðan á notkun stendur. Frekari upplýsingar er að finna í leiðbeiningum frá framleiðanda festingar.

Útdráttarkraftur festinga	35,59 kN (8.000 lbf)
Skerþol á hverja festingu	22,2 kN (5000 lbf)

4.3 Ef fall hefur átt sér stað: Ef þessi búnaður verður fyrir fallstöðvun eða höggkrafti skal taka hann tafarlaust úr notkun. Merkið með skýrum hætti „EKKI NOTA“. Nánari upplýsingar eru í kafla 5.

4.4 Meðhöndlun á hlössum: 3M leyfir notkun þessarar vöru til meðhöndlunar á hlössum samkvæmt leiðbeiningum. Reglugerðir eða staðlar á viðkomandi stað kunna að kveða á um frekari takmarkanir eða notkun á fallvarnarbúnaði fyrir meðhöndlun á hlössum.

⚠CAUTION:

Þessi vara skal notuð með samhæfðu Davit svo hægt sé að nota hana til að meðhöndla hlöss. Festið hläss aldrei beint á Davit-undirstöðuna.

Áður en hlassið er tryggt skal gengið úr skugga um að það sé tilbúið fyrir flutning.

Aldrei má festa þessa vöru við hlöss og notendur samtímis.

Vara sem notuð er meðhöndlun á hlössum skal skoðuð af þar til bærum einstaklingi fyrir næstu notkun. Reglugerðir eða staðlar á viðkomandi stað kunna að kveða á um takmarkanir milli þess að það megi skipta á milli notkunar fyrir starfsfólk og meðhöndlun á hlössum.

1. **Festið Davit.** Festið Davit við Davit-undirstöðuna eins og tilgreint er í notendaleiðbeiningum.
2. **Festið tengt undirkerfi við Davit.** Frekari upplýsingar er að finna í leiðbeiningum frá framleiðanda Davit.
3. **Festið öryggislínuna við hlassið.** Látið hlassið síga eða lyftið því eftir þörfum.

Geta til meðhöndlunar á hlössum

340 kg. (750 pund)

5.0 Eftirlit

Þegar tæki hefur verið fjarlægð úr þjónustunni má ekki taka það aftur í þjónustu fyrr en hæfur aðili staðfestir skriflega að það sé í lagi.

5.1 Eftirlitstíðni: Notandinn skal skoða vöruna fyrir hverja notkun, auk þess sem hæfur aðili annar en notandinn skal skoða hana með því millibili sem er tilgreind hér að neðan. Tíðari notkun á búnaðinum og erfiðari aðstæður kunna að krefjast tíðari

skoðana frá hæfum aðila. Tíðni þessara skoðana ætti að ákvarðast af hæfa aðilanum samkvæmt þeim aðstæðum sem eru til staðar á vinnusvæðinu.

Viðeigandi staðall eða svæði	Nauðsynleg tíðni skoðana þar til bærra einstaklinga
ANSI og OSHA	Einu sinni á ári
EN-staðlar	Einu sinni á ári
AS/NZS	Einu sinni á ári

5.2 Aðferðir við skoðun: Skoðaðu þessa vöru samkvæmt aðferðunum sem taldar eru upp í „Eftirlits- og viðhaldsskrá“. Eigandi þessa búnaðar ætti að sjá um skráningu fyrir hverja skoðun. Eftirlits- og viðhaldsskrá ætti að vera nálægt vörunni eða auðveldlega aðgengileg notendum. Mælt er með því að varan sé merkt með dagsetningu næstu eða síðustu skoðunar.

5.3 Gallar: Ef ekki er hægt að taka vöruna aftur í notkun vegna fyrirbyggjandi galla eða ótraustra aðstæðna verður annað hvort að farga vörunni eða senda hana til 3M eða á 3M-viðurkennda þjónustumiðstöð til viðgerðar eða til að fá nýja vöru.

5.4 Líftími vörur: Líftími vörunnar ræðst af vinnuaðstæðum og viðhaldi. Nota má vöruna áfram svo lengi sem hún stenst skoðunarviðmið.

6.0 Viðhald, geymsla og viðgerðir

Búnaður sem þarfnast viðhalds eða þar sem viðhalds er beðið skal merktur „EKKI NOTA“. Ekki ætti að fjarlægja þessar merkingar fyrr en viðhald fer fram.

6.1 Þrif: Hreinsaðu reglulega málmhluta vörunnar með volgu vatni og mildri sápulausn. Skolið vöruna með hreinu vatni og leyfið henni síðan að loftþurra. Fyrir frekari upplýsingar, vinsamlegast skoðaðu tækniblaðið á vefsíðu okkar: <https://www.3M.com/FallProtection/Mechanical-Device-Cleaning>

6.2 Viðgerðir: Aðeins 3M eða aðilar sem hafa skriflegt umboð frá 3M mega gera við þennan búnað.

6.3 Geymsla og flutningur: Geymið og flytjið vöruna í svölum, þurrum og hreinum pakkningum án þess að útsetja vöruna fyrir beinu sólarljósi. Forðast skal svæði þar sem efnagufur geta verið til staðar. Skoðaðu íhlutina vandlega eftir langa geymslu.

Ekki má fjarlægja undirstöður sem eru varanlega uppsettar af vinnustaðsetningunni. Aðra íhluti gæti verið hægt að fjarlægja af slíkum undirstöðum til geymslu eða flutnings, en undirstaðan er áfram á sínum stað.

⚠WARNING:

Skyndilegar breytingar úr heitu og mjög köldu umhverfi geta haft áhrif afköst búnaðarins. Vélbúnaður (eins og sjálfinndraganlegur búnaður, spil, inndráttarbúnaður, klifurslífar o.s.frv.) skal aðlagður notkun í mjög miklum kulda eða hita með því að geyma hann við hitastig sem er svipað vinnuumhverfinu. Áður en notkun hefst skal ávallt framkvæma skoðun á búnaðinum í vinnuumhverfi hans.

7.0 Merkimiðar og merkingar

7.1 Samantekt: Myndin „Vörumerkingar“ sýnir merki og merkingar sem eru á vörunni. Sjá eftirfarandi samantekt á upplýsingum sem fylgja hverjum merkimiða og merkingu.

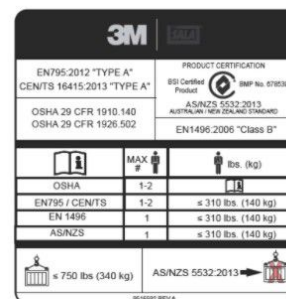
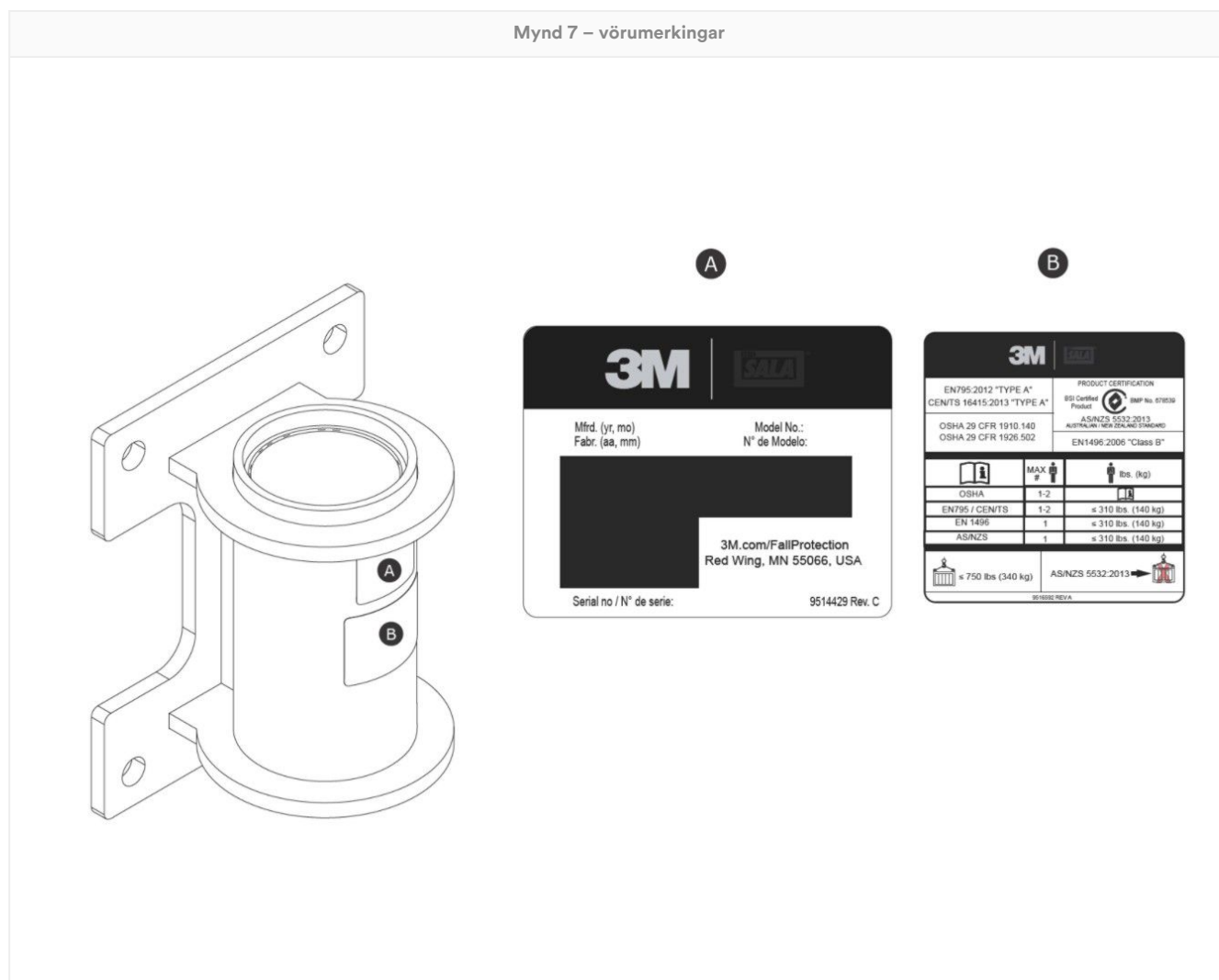
NOTICE:

Myndir á merkimiðum skulu vera lýsandi. Skoðaðu merkimiða vörunnar til að fá nákvæmar upplýsingar.

Skipta verður um merkingar sem vantar eða eru skemmdar. Allir merkimiðar verða að vera vel læsilegir.

A	Merkimiði með tæknilýsingu
B	Auðkenningarmerki

Mynd 7 – vörumerkingar



Orðalisti

Skilgreiningar: Eftirfarandi hugtök og skilgreiningar eru notaðar í þessum leiðbeiningum:

Tæmandi listi yfir hugtök og skilgreiningar er að finna á vefsvæði okkar: www.3m.com/FallProtection/ifu-glossary

- **Einstaklingur með heimild:** Aðili sem er skipaður af vinnuveitanda til að fullnægja skyldum á vinnustað þar sem aðili getur verið í fallhættu.

- **Hæfur aðili:** Aðili sem hefur getu til að bera kennsl á núverandi eða fyrirsjáanlega hættu í umhverfinu, eða bera kennsl á vinnuskilyrði sem eru óheilbrigð, hættuleg eða ógna öryggi starfsmanna, og sem hefur heimild til að grípa til viðeigandi ráðstafana til að sneiða hjá hættunni.
- **Fallstöðvunarbúnaður:** Fallvarnbúnaður í nokkrum hlutum, sérstílltur til að vernda notandann ef hann fellur.
- **Vottaður aðili:** Aðili með skilgreinda menntun, vottorð eða faglega þekkingu, eða aðili sem hefur, með þekkingu sinni, þjálfun og reynslu, sýnt fram á fullnægjandi getu til að leysa úr vandamálum tengdum fallvörnum og björgunarkerfum að því marki sem viðeigandi lands- og svæðisbundnar reglugerðir krefjast.
- **Björgunarkerfi:** Fallvarnbúnaður í nokkrum hlutum, sérstílltur til að forða manneskju frá hættum og koma henni á öruggan stað. Ekkert fall er heimilað.
- **Björgunaraðili:** Sá sem notar björgunarkerfið til að framkvæma björgun.
- **Aðhaldsbúnaður:** Fallvarnbúnaður í nokkrum hlutum, sérstílltur til að koma í veg fyrir að notandinn komist í fallhættu. Ekkert fall er heimilað.
- **Notandi:** Einstaklingur sem varinn er með fallvarnbúnaði við framkvæmd aðgerða.
- **Vinnustöðukerfi:** Fallvarnbúnaður, sérstílltur til að styðja notanda í vinnustöðu.

Eftirlits- og viðhaldsskrá

Nota skal afrit af þessari töflu við hverja skoðun. Skráið upplýsingar hér að neðan.		
Framleiðandi: 3M Fallvörn		
Tegundarnúmer (raðnúmer):		
Dagsetning kaupa:		Dagsetning fyrstu notkunar:
<p>Notandi þarf að skoða þessa vöru fyrir hverja notkun. Auk þess þarf til þess hæfur aðili, annar en notandinn, að skoða búnaðinn með því millibili sem er tilgreint í kafla 5.</p>		
Íhlutur	Skoðunaraðferð	Niðurstöður skoðunar (stenst eða stenst ekki)
Vara (mynd 2)	Skoðið Davit-undirstöðuna með tilliti til skemmda, aflögunar, tæringar og ryðs. Leitið að sprungum, beyglum, dældum eða sliti sem gæti haft áhrif á styrk og virkni kerfisins. Þegar leitað er að tæringu ætti einnig að skoða festingarbúnaðinn og festingarnar, sem og hlutinn sem tækið er fest við.	
	Skoðið festingar með tilliti til skemmda eða tæringar. Hertu eins og þörf krefur.	
	Skoðið alla hreyfanlega hluta með tilliti til flögnunar, sprungna, brota eða slitinna svæða sem geta valdið bilun við notkun.	
Merki	Allar merkingar eru til staðar og vel læsilegar.	
Fallvarnarbúnaður	Viðbótarfallvarnarbúnaður sem notaður er með þessari vöru er settur upp og skoðaður samkvæmt leiðbeiningum framleiðandans. Gakktu úr skugga um að einkunn fyrir styrkleika fyrir allar vörur sé samhæf og næg fyrir notkun.	
Samantekt á vöruskoðun		
<p>Ef varan stenst ekki einn þátt skoðunar er litið svo á að hún hafi ekki staðist heildarskoðun. Takið vöru sem ekki stenst skoðun tafarlaust úr notkun. Merkið vöruna greinilega með merkinu „EKKI NOTA“. Nánari upplýsingar eru í kafla 5.</p>		
Skoðunargerð:	<input type="checkbox"/> Notandi <input type="checkbox"/> Hæfur aðili	Niðurstöður heildarskoðunar:
Skoðað af:		Dagsetning skoðunar:
Undirskrift:		Næsta skoðun áætluð:
Frekari athugasemdir:		

Vottanir

Þessi vara er í samræmi við innlenda og svæðisbundna staðla sem tilgreindir eru á forsiðu þessara leiðbeininga. Vottun og samræmi getur verið takmarkað við einstakar vörugerðir eða notkun.

Frekari upplýsingar um vottun eða skilyrði varðandi reglufylgni er að finna í viðeigandi stöðlum og reglugerðum fyrir vöruna sem um ræðir.

Notendur sem vinna samkvæmt AS/NZS-stöðlum skulu ráðfæra sig við AS/NZS 1891.4 við val, notkun, viðhald og þjálfunarkröfur.

BSI vottuð vara
AS/NZS 5532:2013
Leyfi: BMP 678539

BSI - Aðalskrifstofa svíta 1, hæð 1, 54
Waterloo Road Macquarie Park, NSW, 2113
Ástralía



Alþjóðleg vöruábyrgð, takmörkuð úrræði og takmörkun á ábyrgð

Ábyrgð: Eftirfarandi kemur í stað allra ábyrgða eða skilyrða, beinna eða óbeinna, þ.m.t. óbeinnar ábyrgðar eða skilyrða fyrir söluhæfi eða notagildi í tilteknum tilgangi.

Nema kveðið sé á um annað í staðbundnum lögum gildir ábyrgð 3M fallvarnarvara um verksmiðjugalla sem teljast til efnis- eða handverksgalla í eitt ár frá uppsetningu eða fyrstu notkun upprunalegs eiganda.

Takmarkað úrræði: Eftir að 3M berst skrifleg beiðni mun 3M gera við eða skipta út öllum vörum sem 3M ákvarðar að beri verksmiðjugalla sem teljast til efnis- eða handverksgalla. 3M áskilur sér rétt til að krefjast þess að vörunni sé skilað til sín svo að hægt sé að meta ábyrgðarkröfur. Þessi ábyrgð nær ekki til skemmda á vöru vegna slits, misnotkunar, rangrar notkunar, skemmda við flutning, slælegs viðhalds vörunnar eða annarra skemmda sem 3M getur ekki borið ábyrgð á. Það er aðeins í höndum 3M að dæma um ástand vöru og ábyrgðarmöguleika.

Þessi ábyrgð gildir aðeins um upprunalegan kaupanda og hún er eina ábyrgðin sem gildir um fallvarnarvörur 3M. Hafðu samband við þjónustuaðila 3M á þínu svæði til að fá aðstoð.

Takmörkun ábyrgðar: Að því marki sem landslög heimila, er 3M ekki ábyrgt fyrir óbeinu, tilfallandi, sérstöku eða afleiddu tjóni, þar með talið, en ekki takmarkað við, tap á hagnaði, á nokkurn hátt sem tengist vörunum, óháð þeirri lagakenningu sem sett er fram.

Base della gru per il montaggio a parete 3M™ DBI-SALA®

Istruzioni per l'utilizzatore

Modulo numero: 5903663, revisione: F

Questo prodotto è certificato o conforme agli standard e alle normative riportate di seguito. La certificazione e la conformità possono essere limitate a singoli modelli di prodotti o applicazioni. Per ulteriori informazioni, consultare la sezione *Certificazioni*.

- OSHA 29 CFR 1910.140, 1926.502
- EN 795:2012 (Tipo A)
- CEN/TS 16415:2013 (Tipo A)
- EN 1496:2006 (clausola 4.6)
- AS/NZS 5532:2013

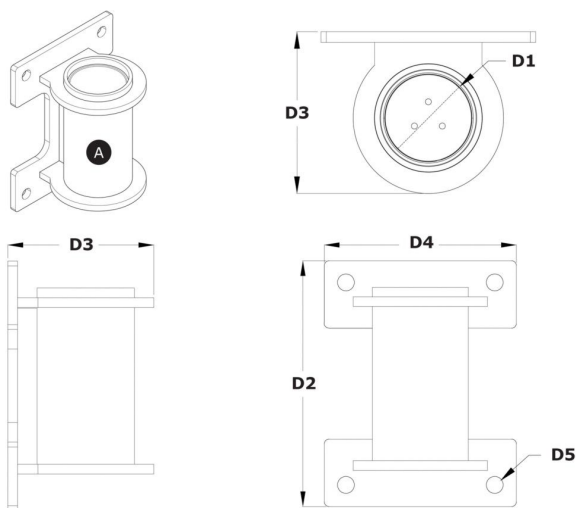
⚠WARNING:

Fare riferimento alle tabelle delle specifiche del prodotto per l'individuazione dei codici prodotto. Per ulteriori informazioni sul prodotto, consultare la sezione Panoramica del prodotto.

Alcuni componenti potrebbero non essere certificati singolarmente e potrebbero richiedere l'assemblaggio per soddisfare i requisiti di certificazione.

Figura 1 - Panoramica del prodotto

Modello	Stile	D1	D2	D3	D4	D5	Peso dell'articolo
8000101	A	10,2 cm (4,0 pollici)	32,4 cm (12,75 pollici)	19,0 cm (7,5 pollici)	25,4 cm (10 pollici)	22,2 mm (0,88 pollici)	15,7 kg (34,0 libbre)
8000102	A	10,2 cm (4,0 pollici)	32,4 cm (12,75 pollici)	19,0 cm (7,5 pollici)	25,4 cm (10 pollici)	22,2 mm (0,88 pollici)	15,7 kg (34,0 libbre)



Informazioni sulla sicurezza

Leggere, comprendere e seguire tutte le informazioni sulla sicurezza contenute nelle presenti istruzioni prima di utilizzare questo prodotto. IL MANCATO RISPETTO DELLE ISTRUZIONI PUÒ CAUSARE LESIONI GRAVI O MORTE.

Fornire le presenti istruzioni all'utilizzatore di questa attrezzatura. Conservare queste istruzioni come riferimento futuro.

Informazioni sulla sicurezza

Modulo: 5908277, revisione: B

Uso previsto

Questo prodotto viene utilizzato come parte di un sistema completo di protezione anticaduta.

L'utilizzo per qualsiasi altra applicazione incluse, a titolo esemplificativo ma non esaustivo, manipolazione non approvata di materiali, attività correlate ricreative o sportive oppure altre attività non descritte nelle presenti istruzioni, non è approvato da 3M e può causare lesioni personali gravi o mortali.

Questo prodotto deve essere utilizzato esclusivamente da utilizzatori formati sulle applicazioni relative all'ambito di lavoro.

Avvertenza

Questo prodotto viene utilizzato come parte di un sistema completo di protezione anticaduta.

Tutti gli utenti devono essere completamente formati sull'installazione e sul funzionamento in sicurezza dell'intero sistema di protezione anticaduta. L'uso improprio di questo prodotto può comportare lesioni gravi o mortali. Per le corrette modalità di selezione, funzionamento, installazione, manutenzione e assistenza, fare riferimento a tutti i manuali di istruzione e alle raccomandazioni del produttore. Per ulteriori informazioni, consultare il proprio supervisore o contattare i servizi tecnici 3M.

- **Per ridurre i rischi associati all'utilizzo di un sistema di salvataggio/accesso a ambienti confinati che, se non evitati, potrebbero causare lesioni personali gravi o mortali:**
 - Ispezionare il prodotto prima di ogni utilizzo e dopo ogni caduta, secondo le procedure specificate nelle presenti istruzioni.
 - Se, a seguito dell'ispezione, viene individuata una condizione di mancata sicurezza o un difetto, ritirare immediatamente il prodotto dal servizio e contrassegnarlo con "NON UTILIZZARE". Distruggere o far riparare il prodotto come indicato da queste istruzioni.
 - Ogni prodotto che è stato sottoposto all'arresto anticaduta o a una forza d'impatto deve essere immediatamente rimosso dal servizio. Distruggere o far riparare il prodotto come indicato da queste istruzioni.
 - Assicurarsi che i sistemi di protezione anticaduta assemblati con componenti realizzati da produttori diversi siano compatibili e soddisfino tutte le normative, gli standard o i requisiti applicabili. Prima di utilizzare questi sistemi consultare sempre una persona competente.
 - Il prodotto deve essere installato solo come descritto nei relativi manuali di istruzioni. Installazioni e usi che fuoriescono dall'ambito di questi manuali di istruzioni devono essere approvati per iscritto da 3M.
 - Collegare solo i sottosistemi di protezione anticaduta ai punti di collegamento all'ancoraggio designati sul prodotto.
 - Prima dell'installazione, assicurarsi che i metodi di installazione e il prodotto non interferiscano con linee elettriche, linee del gas, o altri materiali o sistemi critici.
 - Assicurarsi che il prodotto sia configurato e installato correttamente per un funzionamento sicuro, come descritto nelle presenti istruzioni.
 - Non torcere, legare, annodare la linea vita, né lasciare che si allenti.
 - Non superare il numero di operatori consentiti come specificato nelle presenti istruzioni.
 - Fare attenzione quando si installa, si utilizza o si sposta il prodotto, poiché alcune parti mobili potrebbero creare punti di schiacciamento.
 - Se applicabile, è necessario seguire le procedure di lockout/tagout.
 - Non collegarsi al sistema mentre lo si sta trasportando o installando.
- **Per ridurre i rischi associati al lavoro in altezza che, se non evitati, potrebbero causare gravi lesioni personali o morte:**
 - Le condizioni di salute e fisiche devono consentire il lavoro in altezza in modo sicuro, resistendo a tutte le forze associate a un evento di arresto caduta. Consultare il proprio medico in caso di domande relative alla propria capacità d'uso di questa attrezzatura.
 - Non superare mai la capacità consentita della propria attrezzatura per la protezione anticaduta.
 - Non superare mai la distanza massima di caduta libera specificata per la propria attrezzatura per la protezione anticaduta.
 - Non utilizzare dispositivi di protezione anticaduta che non superano l'ispezione o in caso di dubbi sull'uso o sull'idoneità dell'attrezzatura. Per eventuali domande, contattare il servizio clienti 3M.
 - Alcune combinazioni di sottosistemi e componenti potrebbero compromettere il funzionamento di questa attrezzatura. Utilizzare solo collegamenti compatibili. Contattare il servizio clienti 3M prima di utilizzare questa attrezzatura in combinazione con componenti o sottosistemi diversi da quelli descritti nelle presenti istruzioni.
 - Prestare particolare attenzione in presenza di macchinari in movimento, rischi di carattere elettrico, temperature estreme, rischi di carattere chimico, gas esplosivi o tossici, bordi taglienti, superfici abrasive o lavoro al di sotto di materiali sospesi che potrebbero cadere sull'utente o sulla sua attrezzatura per la protezione anticaduta.
 - Assicurarsi che l'uso del prodotto sia classificato per i rischi presenti nel proprio ambiente di lavoro.
 - Durante il lavoro in altezza assicurarsi che ci sia uno spazio libero sufficiente per la caduta.
 - Non modificare né alterare mai la propria attrezzatura per la protezione anticaduta. Solo 3M o le persone con autorizzazione scritta di 3M possono procedere alla riparazione dell'attrezzatura 3M.
 - Prima di utilizzare l'attrezzatura per la protezione anticaduta, assicurarsi che sia in atto un piano di salvataggio scritto per fornire un primo soccorso in caso di incidente.
 - In caso di caduta, fare in modo che il lavoratore caduto sia sottoposto immediatamente alle cure di un medico.
 - Per le applicazioni anticaduta, utilizzare solo un'imbracatura integrale. Non utilizzare una cintura corporea.
 - Ridurre al minimo le cadute con pendolo lavorando il più possibile direttamente sotto il punto di ancoraggio.
 - Durante la formazione con questo prodotto è necessario utilizzare un sistema di protezione anticaduta secondario. Chi segue la formazione non deve essere esposto al pericolo di caduta involontaria.
 - Quando si installa, utilizza o ispeziona il prodotto, indossare sempre gli opportuni dispositivi di protezione individuale.
 - Non lavorare mai sotto un operatore o un carico sospeso.
 - Mantenere sempre l'aggancio 100%.

Panoramica del prodotto

Assicurarsi sempre di utilizzare l'ultima revisione del Manuale di istruzioni di 3M. Per i manuali di istruzione aggiornati, visitare la pagina www.3m.com/userinstructions o contattare il servizio clienti 3M.

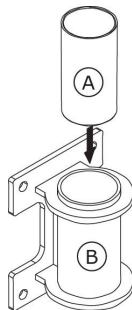
Prima di utilizzare l'attrezzatura, registrare le informazioni del prodotto indicate sull'etichetta identificativa nel "Registro di ispezione e manutenzione" che si trova sul retro del presente manuale.

La Figura 1 illustra i modelli di prodotto disponibili. Le basi della gru sono parti del sistema gru che consentono di fissare il sistema al suolo. La gru è fissata alla base e funge da punto di ancoraggio regolabile e mobile per l'utilizzatore. Consultare le istruzioni del produttore della gru o del sistema gru compatibile per ulteriori informazioni sulle applicazioni del sistema.

La Figura 2 illustra i componenti chiave dei modelli di prodotto disponibili. La base della gru è costituita da due parti: una fodera (A) e un manicotto della gru (B). La fodera consente a una gru fissata di ruotare liberamente all'interno del manicotto della gru. Il manicotto include una piastra di montaggio collegata per fissare la base della gru a una struttura.

Ciascun modello di prodotto ha le proprie specifiche, come elencato nella Figura 1. Per ulteriori informazioni, consultare le tabelle delle specifiche del prodotto.

Figura 2 - Componenti



Tablelle delle specifiche del prodotto

Specifiche del sistema

Capacità dell'utilizzatore:	Per ulteriori informazioni sulla capacità del sistema, consultare le istruzioni del produttore per i modelli di gru compatibili.
Standard:	Ogni modello di prodotto è certificato o conforme agli standard e alle normative applicabili riportati nella Figura 1. Se non ne viene specificato alcuno, si applicano tutti gli standard e le normative elencati sulla pagina di copertina.

Specifiche dei componenti

Figura 2 di riferimento	Componente	Materiali
A	Fodera	Polietilene ad alta densità
B	Manicotto della gru	8000101: Acciaio al carbonio zincato
		8000102: Acciaio inossidabile

1.0 Applicazione del prodotto

1.1 Scopo: I sistemi gru fungono da strutture di ancoraggio mobili per i sistemi di protezione anticaduta. Il montaggio e i componenti variano in base al sistema. Per ulteriori informazioni sulle applicazioni di sistema, consultare la sezione "Panoramica del prodotto" e tutte le sezioni relative all'installazione o all'uso.

1.2 Supervisione: l'utilizzo dell'attrezzatura deve essere supervisionato da una persona competente. L'installazione dell'attrezzatura deve essere supervisionata da una persona competente. Una persona competente deve confermare che l'installazione soddisfi le normative locali e federali. Anche i sistemi di fissaggio e il posizionamento della base della gruetta devono essere approvati da una persona competente.

1.3 Rivendita e distribuzione: se l'articolo viene rivenduto al di fuori del Paese di destinazione originario, il rivenditore dovrà fornire le presenti istruzioni nella lingua del Paese in cui dovrà essere utilizzato l'articolo.

1.4 Formazione: l'attrezzatura deve essere installata e utilizzata da personale addestrato per la sua corretta applicazione. Queste istruzioni devono essere utilizzate nell'ambito di un programma di formazione dei dipendenti, come richiesto dagli standard nazionali, regionali o locali. È responsabilità degli utilizzatori e degli installatori dell'attrezzatura assicurarsi di conoscere queste istruzioni, di essere correttamente formati nelle procedure di uso e manutenzione, di essere consapevoli delle caratteristiche di funzionamento, dei limiti di applicazione e delle conseguenze di un uso improprio.

1.5 Piano di salvataggio: durante l'utilizzo del presente sistema e dei sottosistemi di collegamento, il responsabile deve disporre di un piano di salvataggio scritto, nonché dei mezzi per implementarlo e comunicarlo a utilizzatori, persone autorizzate e soccorritori. Si raccomanda la presenza sul posto di una squadra di soccorso addestrata. I membri della squadra devono conoscere le tecniche e disporre dell'attrezzatura necessaria ad eseguire con successo il salvataggio. La formazione deve essere erogata con regolarità per garantire la massima competenza dei soccorritori. I soccorritori devono disporre delle presenti istruzioni. Deve essere previsto un contatto visivo o dei mezzi di comunicazione con la persona che viene salvata in ogni momento della procedura di salvataggio.

2.0 Requisiti del sistema

2.1 Ancoraggio: la struttura di ancoraggio che fissa questo prodotto deve essere in grado di sopportare tutti i carichi richiesti consentiti dal relativo sistema di protezione anticaduta. Per ulteriori informazioni, consultare la Sezione 4.

2.2 Capacità: la capacità dell'utilizzatore di un sistema di protezione anticaduta completo è limitata dal suo componente di capacità massima nominale più basso. Ad esempio, se il sottosistema di connessione ha una capacità inferiore all'imbracatura, è necessario soddisfare i requisiti di capacità del sottosistema di connessione. Per i requisiti di capacità, consultare le istruzioni del produttore per ogni componente del sistema.

2.3 Pericoli ambientali: l'utilizzo dell'attrezzatura in aree soggette a rischi ambientali può richiedere ulteriori precauzioni per prevenire infortuni dell'operatore o danni all'attrezzatura. I pericoli possono comprendere, a titolo indicativo: temperatura elevata, sostanze chimiche, ambienti corrosivi, linee ad alta tensione, gas tossici o esplosivi, macchinari in movimento, bordi taglienti o presenza di materiali al di sopra dell'operatore che possono cadere e colpire quest'ultimo o il dispositivo. Contattare il servizio clienti 3M per ulteriori chiarimenti.

2.4 Pericoli della linea vita: Assicurarsi che la linea vita non presenti nessuno pericolo, tra cui, ad esempio: aggrovigliamento con gli utilizzatori, con altri lavoratori, macchinari in movimento, altri oggetti circostanti o impatto con oggetti soprastanti che potrebbero cadere sulla linea vita o sugli operatori.

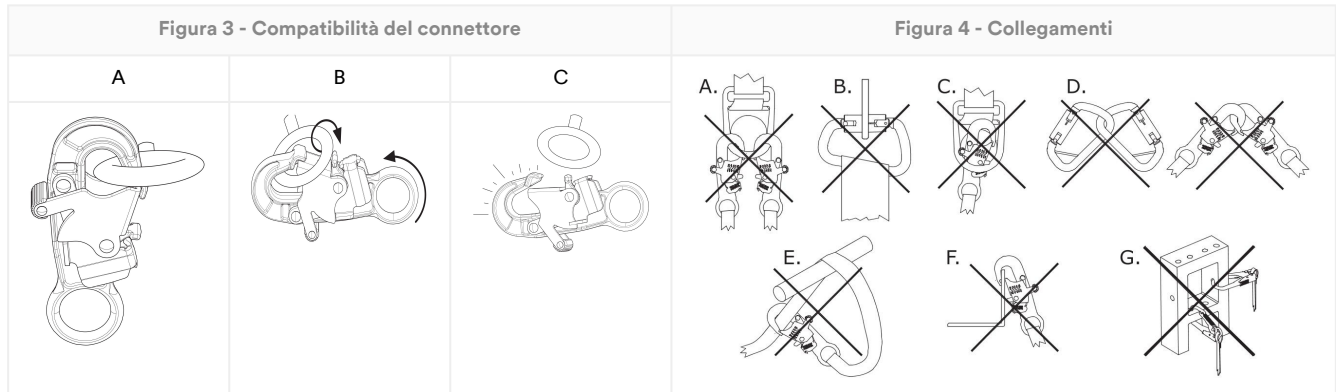
2.5 Compatibilità dei componenti: l'attrezzatura 3M è progettata per l'uso con l'attrezzatura 3M. l'utilizzo dell'attrezzatura che non è di 3M deve essere supervisionato da una Persona competente. Le sostituzioni effettuate con apparecchiature non approvate possono compromettere la compatibilità delle apparecchiature e la sicurezza e l'affidabilità del sistema di protezione anticaduta. Leggere e seguire tutte le istruzioni e le avvertenze per tutte le attrezzature prima dell'uso.

2.6 Compatibilità del connettore: i connettori sono considerati compatibili con gli elementi di collegamento quando sono progettati per essere utilizzati in modo che le rispettive forme e dimensioni non causino l'apertura involontaria dei meccanismi di chiusura, indipendentemente dal modo in cui si orientano. I connettori devono essere conformi agli standard in vigore. I connettori devono essere completamente chiusi e bloccati durante l'uso.

I connettori 3M (ganci a doppia leva e moschettoni) sono progettati solo per l'utilizzo specificato nel manuale di istruzioni. Assicurarsi che i connettori siano compatibili con i componenti del sistema a cui sono collegati. Non utilizzare attrezzature non compatibili. L'uso di connettori non compatibili potrebbe provocare lo sganciamento involontario. Vedere la figura per riferimento. Se l'elemento di collegamento a cui è agganciato il moschettone ha una forma irregolare o le dimensioni sono inferiori a quanto necessario, l'elemento di collegamento potrebbe applicare una forza al dispositivo di chiusura del connettore (A). Tale forza potrebbe quindi indurre l'apertura del dispositivo di chiusura (B), disimpegnando il connettore dall'elemento di connessione (C).

2.7 Realizzazione dei collegamenti: tutti i connettori devono essere compatibili per dimensioni, forma e resistenza. Vedere la figura per esempi di collegamenti non appropriati. Non collegare ganci a doppia leva e moschettoni come descritto di seguito:

1. A un D-ring a cui è collegato un altro connettore.
2. In modo tale da indurre un carico sul dispositivo di chiusura. I ganci a base larga non devono essere collegati agli anelli a D o ad altri elementi di connessione, a meno che il gancio a scatto non abbia una resistenza alla chiusura pari a 16 kN (3600 libbre) o superiore.
3. In un falso aggancio, dove le dimensioni o la forma dei connettori o degli elementi di connessione che si abbinano non sono compatibili e, senza conferma visiva, i connettori potrebbero sembrare perfettamente fissati.
4. Uno all'altro.
5. Direttamente al nastro dell'imbracatura, materiale gamba cordino o materiale di collegamento diretto, a meno che tale collegamento non sia esplicitamente consentito dalle istruzioni del produttore.
6. A qualsiasi oggetto di forma o dimensione tale da impedire la chiusura e il blocco del connettore o di causare la fuoriuscita.
7. In un modo che non consente al connettore di allinearsi correttamente quando sotto carica.



3.0 Installazione

3.1 Panoramica: La procedura di installazione di un sistema gru può essere lunga e richiedere più passaggi. La pianificazione efficace e la conoscenza del posto di lavoro e dell'attrezzatura sono di grande aiuto nel rendere la procedura più semplice possibile.

3.2 Pianificazione: Pianificare il sistema di protezione anticaduta prima di iniziare i lavori. Considerare tutti i fattori che possono influire sulla propria sicurezza prima, durante e dopo una caduta. Prendere in considerazione tutti i requisiti e le limitazioni specifiche definiti in queste istruzioni.

1. **Bordi taglienti:** evitare di lavorare dove i componenti del sistema possono entrare in contatto o raschiare contro i bordi taglienti esposti e le superfici abrasive. Tutti i bordi taglienti e le superfici abrasive devono essere coperti con materiale protettivo.
2. **Compatibilità:** quando si installa il sistema, è importante utilizzare componenti compatibili. Ciascun modello di prodotto è compatibile per l'uso con un insieme specifico di modelli o design di prodotto.

La base della gru può anche supportare eventuali estensioni del montante della gru compatibili con le gru elencate.

Modelli della gru compatibili	Istruzioni per l'utilizzatore della gru
8000107	5908417
8000108	5908417
8000130	5908364
8000131	5908364

3.3 Installazione della base della gru: Installare la base della gru secondo le istruzioni fornite per il modello del prodotto.

La superficie della struttura di ancoraggio deve essere pulita da eventuali detriti prima di installare la base della gru.

A. Base della gru per il montaggio a parete: La base della gru deve essere preparata prima dell'uso.

1. **Preparare la posizione.** Selezionare una superficie di montaggio appropriata per installare la base della gru, quindi determinare dove deve essere installata la base. Occorre stabilire una distanza sufficiente dal bordo (A) e dallo spessore del materiale (B) per supportare i requisiti di resistenza per la struttura e il sistema. Contrassegnare e poi praticare tutti i fori di montaggio alla profondità e al diametro consigliati dal produttore dei dispositivi di fissaggio.

La base della gru deve essere installata su una superficie piana e verticale.

2. **Posizionare la base della gru.** Allineare i fori della piastra di montaggio ai fori praticati. La base della gru deve essere posizionata entro più o meno 1 grado dalla verticale.
3. **Fissare la base della gru.** Fissare la base della gru utilizzando i dispositivi di fissaggio scelti, come specificato nelle istruzioni del produttore del dispositivo di fissaggio.

Figura 6 - Installazione della base della gru per il montaggio a parete

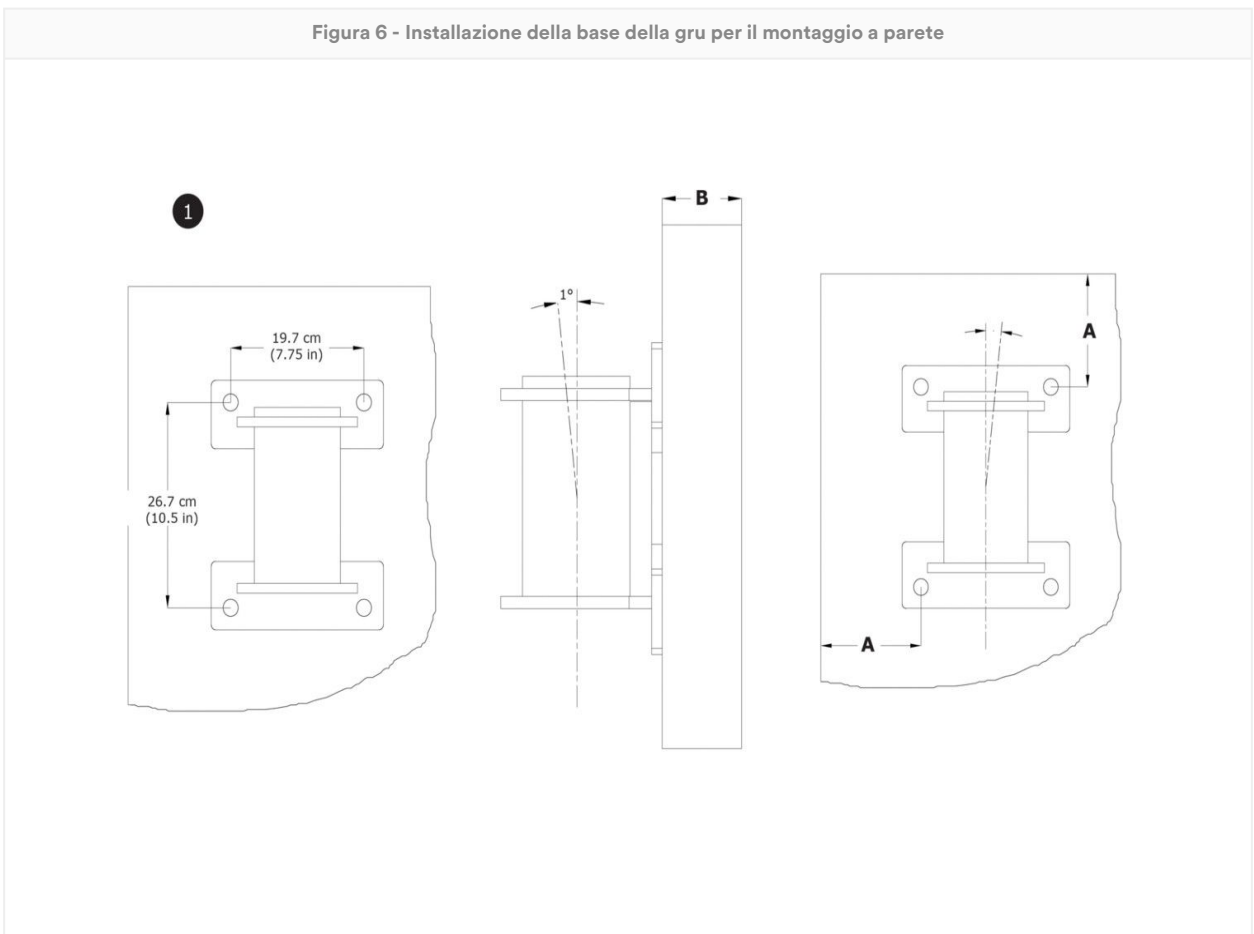
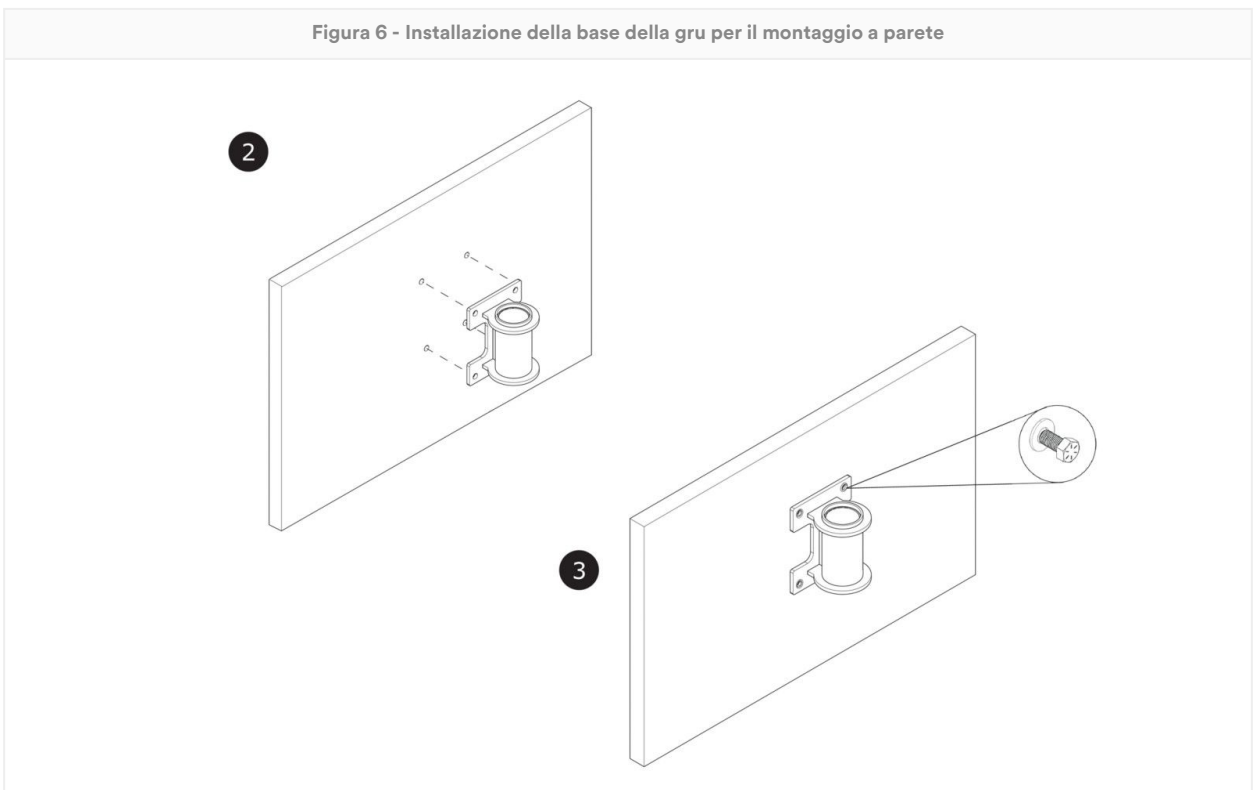


Figura 6 - Installazione della base della gru per il montaggio a parete



3.4 Fissaggio della gru: Dopo che la base della gru è stata installata, l'utilizzatore può fissare il braccio o il montante della gru alla base. La gru deve essere fissata al montante di montaggio o all'interno del maniccotto della base della gru, a seconda della base della gru in uso. Verificare che la gru sia ben fissata e che le guide o i perni di bloccaggio siano utilizzati in modo appropriato. Consultare le istruzioni del produttore della gru o del sistema gru per ulteriori informazioni.

4.0 Utilizzo

4.1 Prima di ciascun utilizzo: verificare che l'area di lavoro e il sistema di protezione anticaduta soddisfino tutti i criteri definiti nelle presenti istruzioni. E che sia messo in atto un piano formale di salvataggio. Ispezionare il prodotto in base ai punti di ispezione "Operatore" indicati nel "Registro di ispezione e manutenzione". Se l'ispezione rivela una condizione poco sicura o difettosa, o in caso di dubbi sulle sue condizioni d'uso in sicurezza, rimuovere immediatamente il prodotto dal servizio. Etichettare chiaramente il prodotto come "DA NON USARE". Per ulteriori informazioni, consultare la Sezione 5.

4.2 Ancoraggio: oltre alla capacità del prodotto, qualsiasi sistema di protezione anticaduta deve tenere conto della resistenza di eventuali strutture o componenti di supporto.

1. **Struttura di ancoraggio:** la struttura di ancoraggio che fissa questo prodotto deve essere in grado di sopportare i carichi richiesti, come consentito dal sistema di protezione anticaduta di questo prodotto.

Momento	136.400 pollici/libbre (15,41 kN*m)
---------	-------------------------------------

2. **Punti di connessione di ancoraggio:** i punti di connessione di ancoraggio utilizzati con il prodotto devono essere in grado di sopportare qualsiasi carico applicato dal prodotto.
3. **Dispositivi di fissaggio:** tutti i dispositivi di fissaggio che fissano il prodotto in posizione devono essere sufficientemente robusti da mantenere il prodotto fermo durante l'uso. Per ulteriori informazioni, consultare le istruzioni del produttore dei dispositivi di fissaggio.

Forza di trazione del dispositivo di fissaggio	8.000 libbre per piede (35,59 kN)
Resistenza al taglio per dispositivo di fissaggio	5.000 libbre per piede (22,2 kN)

4.3 Dopo una caduta: se l'attrezzatura è soggetta a una forza d'arresto caduta o forza di impatto, rimuoverla immediatamente dal servizio. Apporre un'etichetta che indichi in modo chiaro "NON USARE". Per ulteriori informazioni, consultare la Sezione 5.

4.4 Movimentazione di materiali: 3M consente l'uso di questo prodotto per la movimentazione dei materiali come indicato. Le normative o gli standard locali possono includere ulteriori restrizioni o possono regolamentare l'uso dei dispositivi di protezione anticaduta per la movimentazione dei materiali.

⚠CAUTION:

Questo prodotto deve essere utilizzato con una gru compatibile per poter essere impiegato per la movimentazione di materiali. Non fissare mai un carico di materiale direttamente sulla base della gru.

Verificare che il carico di materiale sia stato preparato per il trasporto, prima di fissarlo.

Non fissare mai questo prodotto a materiali e utilizzatori contemporaneamente.

Il prodotto utilizzato per la movimentazione dei materiali deve essere ispezionato da una persona competente prima del successivo utilizzo. Le normative o gli standard locali possono limitare il passaggio tra uso personale e movimentazione dei materiali.

1. **Fissare la gru.** Fissare la gru alla base della gru come specificato nelle istruzioni per l'utilizzatore.
2. **Fissare un sottosistema di collegamento alla gru.** Per ulteriori informazioni, consultare le istruzioni del produttore della gru.
3. **Fissare la linea vita al carico di materiale.** Abbassare o sollevare il carico di materiale secondo necessità.

Capacità di gestione del materiale

340 kg (750 libbre)

5.0 Ispezione

Dopo che l'attrezzatura è stata rimossa dal servizio, non può essere rimessa in servizio fino a quando una Persona Competente non conferma per iscritto che è accettabile farlo.

5.1 Frequenza di ispezione: Il prodotto deve essere ispezionato dall'utilizzatore prima di ciascun utilizzo e da una persona competente diversa dall'utilizzatore, agli intervalli specificati di seguito. Una frequenza più elevata di utilizzo dell'attrezzatura e condizioni più gravose possono richiedere un aumento della frequenza delle ispezioni da parte della persona competente. La frequenza delle ispezioni deve essere determinata dalla persona competente in base alle condizioni specifiche del luogo di lavoro.

Standard o regione applicabile	Frequenza richiesta per le ispezioni della persona competente
ANSI e OSHA	Una volta all'anno
Standard EN	Una volta all'anno
AS/NZS	Una volta all'anno

5.2 Procedure di ispezione: Ispezionare il prodotto secondo le procedure elencate nel "Registro di ispezione e manutenzione". La documentazione di ciascuna ispezione deve essere conservata dal proprietario dell'apparecchiatura. Un registro di ispezione e manutenzione deve essere posizionato vicino al prodotto o comunque facilmente accessibile agli utenti. Si raccomanda di contrassegnare il prodotto con la data della prossima o dell'ultima ispezione effettuata, se possibile.

5.3 Difetti: Se il prodotto non può essere rimesso in servizio a causa di un difetto esistente o di una condizione non sicura, il prodotto deve essere distrutto oppure inviato a 3M o a un centro di assistenza autorizzato da 3M per la riparazione.

5.4 Durata del prodotto: La durata operativa del prodotto dipende dalle condizioni di lavoro e dalla manutenzione. Fintantoché il prodotto supera i criteri di ispezione, può rimanere in servizio.

6.0 Manutenzione, conservazione e riparazione

Le attrezzature che necessitano di manutenzione, o sono programmate per la manutenzione, devono essere contrassegnate come "NON UTILIZZARE". I contrassegni sull'attrezzatura non devono essere rimossi fino a quando non viene eseguita la manutenzione.

6.1 Pulizia: Pulire regolarmente i componenti metallici del prodotto utilizzando acqua tiepida e un detergente neutro. Sciacquare il prodotto con acqua pulita, quindi lasciarlo asciugare all'aria. Per ulteriori informazioni, consultare il bollettino tecnico sul nostro sito web: <https://www.3M.com/FallProtection/Mechanical-Device-Cleaning>

6.2 Riparazione: Solo 3M o i centri autorizzati per iscritto da 3M possono procedere alla riparazione di questa attrezzatura.

6.3 Conservazione e trasporto: conservare e trasportare il prodotto in un ambiente fresco, asciutto e pulito, lontano dalla luce diretta del sole. Evitare zone con vapori chimici. Dopo un lungo periodo di inutilizzo, ispezionare attentamente i componenti.

Le basi installate in modo permanente non devono lasciare la posizione di lavoro. Altri componenti possono essere rimossi dalla base per la conservazione o il trasporto, ma la base dovrà rimanere.

⚠WARNING:

I passaggi improvvisi tra ambienti caldi ed estremamente freddi potrebbero influire sulle prestazioni dell'attrezzatura. I dispositivi meccanici (ad esempio dispositivi autoretrattili, verricelli, dispositivi di recupero, manicotti per salita e così via) devono essere adattati all'uso in condizioni di freddo o caldo estremi, conservandoli a temperature simili a quelle dell'ambiente di lavoro. Eseguire sempre un'ispezione preventiva dell'apparecchiatura nell'ambiente di lavoro prima di utilizzarla.

7.0 Etichette e contrassegni

7.1 Riepilogo: la figura "Etichette del prodotto" illustra le etichette e i contrassegni presenti sul prodotto. Di seguito viene riportato il riepilogo delle informazioni fornite con ciascuna etichetta e marcatura.

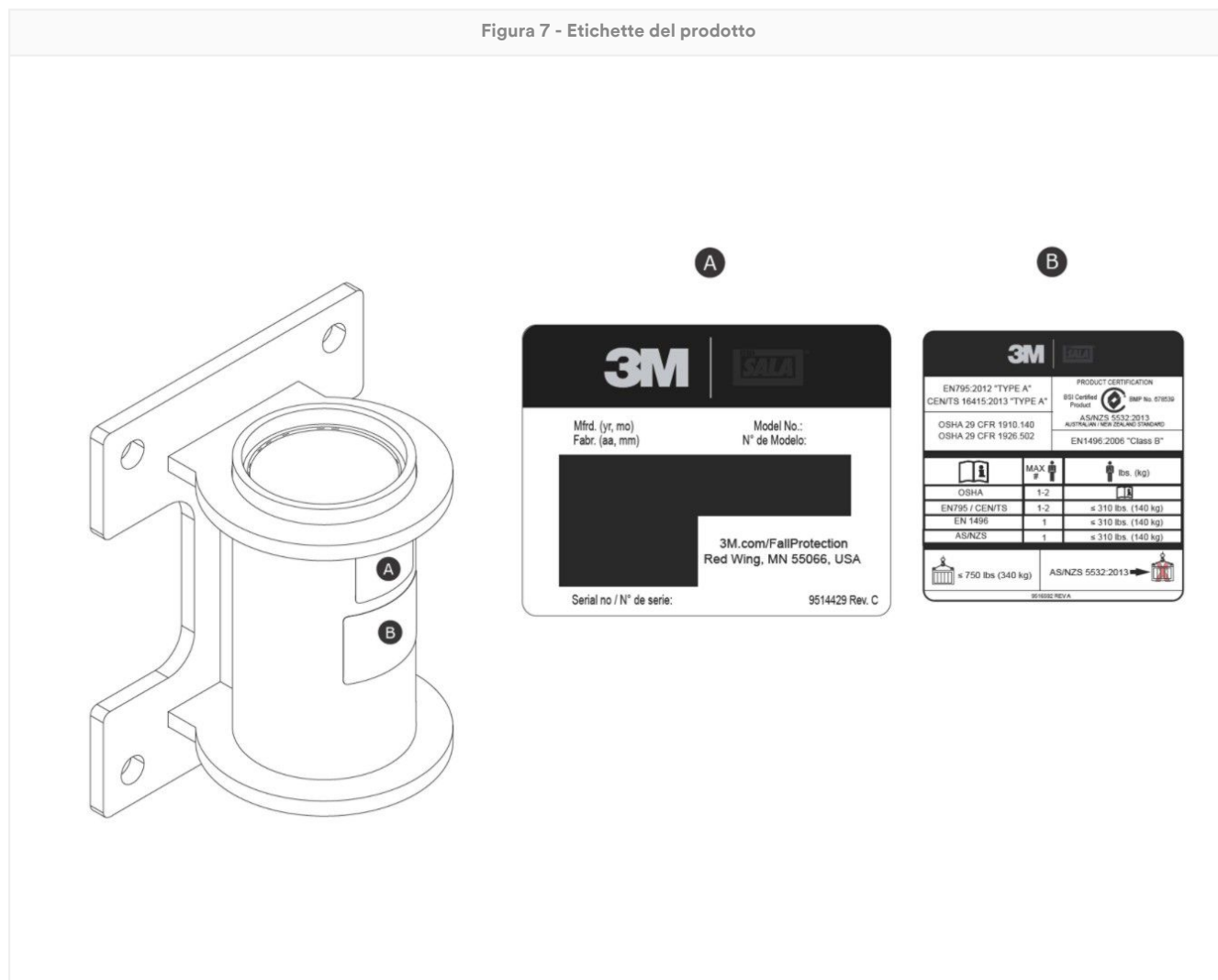
NOTICE:

Le immagini delle etichette devono essere rappresentative. Per informazioni specifiche, consultare le etichette del prodotto

Etichette mancanti o danneggiate devono essere sostituite. Tutte le etichette devono essere perfettamente leggibili.

A	Etichetta delle specifiche del prodotto
B	Etichetta identificativa

Figura 7 - Etichette del prodotto



Glossario

Definizioni: nelle presenti istruzioni sono utilizzati i termini e le definizioni riportati di seguito:

Per un elenco completo di termini e definizioni, visitare il sito Web: www.3m.com/FallProtection/ifu-glossary

- **Persona autorizzata:** persona incaricata dal datore di lavoro di svolgere delle mansioni in un luogo in cui la persona sarà esposta a pericolo di caduta.

- **Persona competente:** persona in grado di individuare i rischi esistenti e prevedibili nell'ambiente circostante o condizioni di lavoro malsane, rischiose e pericolose per i dipendenti, autorizzata a prendere immediati provvedimenti per porvi rimedio.
- **Sistema d'arresto anticaduta:** complesso di dispositivi anticaduta configurati per proteggere l'utilizzatore in caso di caduta.
- **Persona qualificata:** persona con laurea, certificazione o ruolo professionale riconosciuti, oppure che, per vastità delle conoscenze, formazione ed esperienza ha dimostrato con successo la propria capacità di affrontare e risolvere i problemi relativi alla Protezione anticaduta e al Sistema di salvataggio nella misura richiesta dalle normative nazionali, regionali e locali in vigore.
- **Sistema di salvataggio:** Complesso di dispositivi di protezione anticaduta configurati per allontanare una persona dai pericoli e condurla in un luogo sicuro. Non è consentita la caduta libera.
- **Soccorritore:** persona che utilizza il sistema di salvataggio per eseguire un salvataggio assistito.
- **Sistema di trattenuta:** Complesso di attrezzature per la protezione anticaduta configurato per evitare che il centro di gravità di una persona raggiunga il pericolo di caduta. Non è consentita la caduta libera.
- **Utilizzatore:** persona che svolge attività mentre è protetta da un sistema di protezione anticaduta.
- **Sistema di posizionamento sul lavoro:** complesso di attrezzature di protezione anticaduta configurate per supportare l'utilizzatore nel posizionamento operativo.

Registro di ispezione e manutenzione

Una copia di questa tabella deve essere utilizzata per ogni ispezione. Prendere nota delle seguenti informazioni.

Produttore: Protezione anticaduta 3M

Numero di modello, (numero di serie)

Data di acquisto:

Data del primo utilizzo:

Il prodotto deve essere ispezionato dall'utilizzatore prima di ogni uso. Inoltre, una persona competente diversa dall'utilizzatore deve ispezionare questa attrezzatura agli intervalli indicati nella Sezione 5.

Componente	Procedura di ispezione	Risultato dell'ispezione (esito positivo o esito negativo)
Prodotto (Figura 2)	Controllare la base della gru per verificare l'assenza di eventuali danni, deformazioni, corrosione e ruggine. Verificare l'assenza di crepe, curve, ammaccature o segni di usura che potrebbero influire sulla resistenza e sul funzionamento del sistema. Durante l'ispezione per verificare l'assenza di corrosione, è necessario controllare anche il dispositivo di ancoraggio, i fissaggi o i dispositivi di fissaggio e la struttura a cui è fissato il dispositivo di ancoraggio.	
	Controllare tutti i dispositivi di fissaggio per verificare l'assenza di danni o corrosione. Serrare secondo necessità.	
	Controllare tutte le parti mobili per verificare che non presentino scheggiature, crepe, rotture o parti usurate che potrebbero causare malfunzionamento del sistema durante le operazioni.	
Etichette	Tutte le etichette devono essere presenti e completamente leggibili.	
Attrezzatura di protezione anticaduta	I dispositivi di protezione anticaduta aggiuntivi che vengono utilizzati con il prodotto vengono installati e ispezionati secondo le istruzioni del produttore. Verificare che la resistenza nominale di ogni prodotto sia compatibile e sufficiente per l'applicazione prevista.	

Riepilogo dell'ispezione del prodotto

Se il prodotto non supera una singola procedura di ispezione, non si considera superata l'ispezione complessiva. Se il prodotto non supera l'ispezione, rimuoverlo immediatamente dal servizio. Etichettare chiaramente il prodotto come "DA NON USARE". Per ulteriori informazioni, consultare la Sezione 5.


Tipo di ispezione:	<input type="checkbox"/> Utilizzatore	<input type="checkbox"/> Persona competente	Risultato dell'ispezione complessiva:	
Ispezione condotta da:			Data di ispezione:	
Firma:			Data limite della prossima ispezione:	
Note aggiuntive:				

Certificazioni

il prodotto è conforme agli standard nazionali segnalati sulla pagina di copertina di queste istruzioni. La certificazione e la conformità possono essere limitate a singoli modelli di prodotti o applicazioni.

Per ulteriori informazioni sulla certificazione o sui requisiti di conformità, fare riferimento agli standard e alle normative applicabili elencati per il proprio prodotto.

Gli utilizzatori secondo gli standard AS/NZS devono consultare AS/NZS 1891.4 per i requisiti di selezione, uso, manutenzione e formazione.

Prodotto certificato BSI AS/NZS 5532:2013 Licenza: BMP 678539	BSI - Head Office Suite 1, Level 1, 54 Waterloo Road Macquarie Park, NSW, 2113 Australia	
---	--	---

Garanzia globale del prodotto, risarcimento parziale e limitazione di responsabilità

Garanzia: la presente garanzia sostituisce tutte le garanzie o le condizioni, esplicite o implicite, comprese le garanzie o le condizioni implicite di commerciabilità o idoneità per un particolare scopo.

Salvo ove diversamente specificato dalle leggi locali, i prodotti di protezione anticaduta 3M sono garantiti da difetti di fabbricazione e dei materiali per un periodo di un anno dalla data di installazione o di primo utilizzo da parte del proprietario originale.

Risarcimento parziale: previa comunicazione scritta a 3M, 3M riparerà o sostituirà qualsiasi prodotto in cui 3M avrà individuato un difetto di fabbricazione o dei materiali. 3M si riserva il diritto di richiedere la restituzione del prodotto alla propria struttura per valutare le richieste di risarcimento in garanzia. La presente garanzia non copre i danni al prodotto dovuti a usura, abuso, utilizzo improprio, trasporto o mancata manutenzione del prodotto o qualsiasi altro danno fuori dal controllo di 3M. È esclusiva responsabilità di 3M giudicare le condizioni del prodotto e le opzioni della garanzia.

La presente garanzia è valida solo per l'acquirente originale ed è l'unica applicabile ai prodotti di protezione anticaduta 3M. Per assistenza, contattare il servizio clienti 3M della propria area.

Limitazione di responsabilità: nella misura consentita dalle leggi locali, 3M non è responsabile per eventuali danni indiretti, incidentali, speciali o consequenziali, inclusi, a titolo esemplificativo ma non esaustivo, la perdita di profitti, in qualsiasi modo correlati ai prodotti, indipendentemente dalla teoria legale asserita.

3M™ DBI-サラ™ ウォールマウントダビットベース

取扱説明書

フォーム番号：5903663、改訂版：F

この製品は、以下の規格および規制に適合しているか、認証を受けています。認証および適合は、個々の製品モデルまたは用途に限定される場合があります。詳細については、「認証」を参照してください。

- OSHA 29 CFR 1910.140、1926.502
- EN 795:2012 (タイプA)
- CEN/TS 16415:2013 (タイプA)
- EN 1496:2006 (4.6項)
- AS/NZS 5532:2013

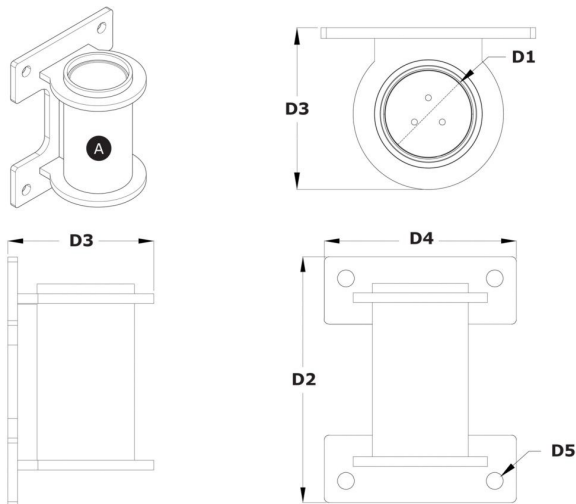
△WARNING:

製品番号の識別については、製品仕様の表を参照してください。詳細については、製品概要を参照してください。

一部の部品は個別に認証を受けておらず、組立品で認証要件に対応しなければならない場合があります。

図1 - 製品の概要

製品番号	形状	D1	D2	D3	D4	D5	製品重量
8000101	A	10.2 cm (4.0 インチ)	32.4 cm (12.75イン チ)	19.0 cm (7.5 インチ)	25.4 cm (10.0イン チ)	22.2 mm (0.88イン チ)	15.7 kg (34.0ポ ンド)
8000102	A	10.2 cm (4.0 インチ)	32.4 cm (12.75イン チ)	19.0 cm (7.5 インチ)	25.4 cm (10.0イン チ)	22.2 mm (0.88イン チ)	15.7 kg (34.0ポ ンド)



安全に関する情報

本製品を使用する前に、本取扱説明書に記載されているすべての安全情報を読んで理解し、順守してください。これを怠ると、重症または死亡に至る場合があります。

本取扱説明書は本製品の使用者に提供してください。また、本書をいつでも参照できるように保管してください。

安全に関する情報

様式：5908277、改訂版：B

用途

本製品は、墜落防止システムの一部として使用するものです。

他の用途（認められない荷物の昇降、娯楽またはスポーツ関連の活動、または本取扱説明書に記載されていないその他の活動など）に使用することは、3M によって認められておらず、重傷または死亡事故につながる可能性があります

この製品は使用される地域で必要とされるトレーニングを受けた方だけが使用できます。

警告

本製品は、墜落防止システムの一部として使用するものです。

すべての使用者は、使用する墜落防止システムの安全な設置や操作について、包括的なトレーニングを受けることが求められます。本製品を誤って使用すると、重傷を負ったり死亡に至ったりするおそれがあります。適切な製品の選定、使用、取り付け方法、保守、および修理については、この取扱説明書や製造元のすべての推奨事項を確認してください。詳細については、管理者の指示を仰ぐか、3Mにお問い合わせください。

- **コンファインド・スペース エントリ/救助システムを使用する作業は、重傷を負ったり死亡したりするリスクが伴います。リスクを軽減するために以下のことに注意してください。**
 - 毎回の使用前、および墜落が起きた後は、本取扱説明書に記載されている手順に従い、製品の点検を行ってください。
 - 点検により危険性または欠陥が明らかになった場合は、製品の使用を中止し、「使用禁止」と明記したラベルを貼り付けてください。本取扱説明書の規定に従って製品を廃棄または修理してください。
 - 墜落制止力または衝撃力の影響を受けた製品は、ただちに使用を中止してください。そして、本取扱説明書の規定に従って製品を廃棄または修理してください。
 - 製造元の異なる構成部品を組み合わせた墜落防止システムを使用する際には、墜落防止に関して適用されるすべての規制、規格、要件に合致し、適合性があることを確認してください。システムを使用する前に、必ず有資格者に相談してください。
 - 本製品は、この取扱説明書に記載されているとおりに設置してください。本取扱説明書の範囲外となる設置および使用には、3Mの書面による承諾が必要です。
 - 墜落防止サブシステムは、製品の指定のアンカー接続ポイントにのみ接続してください。
 - 設置前に、設置方法や製品自体が送電線、ガス管、その他の資材やシステムに影響しないことを確認してください。
 - 安全な操作のため、この取扱説明書で説明されているとおりに、本製品が適切に組み立てられ設置されていることを確認してください。
 - ワイヤロープをねじったり、結んだり、絡ませたり、たるませたりしないでください。
 - この取扱説明書で指定された使用可能人数を超えて使用しないでください。
 - 可動部に手などが挟まれる可能性があるため、本製品を設置、使用、または動かすときは十分に注意してください。
 - 該当する場合は、ロックアウト/タグアウト手順に従ってください。
 - 輸送中または設置中は、システムに接続しないでください。
- **高所での作業には、重傷を負ったり死亡したりするリスクが伴います。リスクを軽減するために以下のことに注意してください。**
 - 安全に高所で作業し、墜落制止時に付随するあらゆる衝撃に耐えられる健康面および身体面の状態であることを確認してください。この機器を使用するにあたり、身体能力に不安がある場合には医師に相談してください。
 - 使用する墜落防止用装置の使用可能な質量を決して超えないでください。
 - 使用する墜落防止用装置に規定されている最大自由落下距離を決して超えないでください。
 - 点検に合格しない場合や、使用や適合性に問題があると懸念される場合は、墜落防止用装置を使用しないでください。質問がある場合には、3Mにお問い合わせください。
 - サブシステムや構成部品の組み合わせによっては、本製品の動作不良の原因となる場合があります。適合性のある接続でのみ使用してください。本書に記載されていない構成部品やサブシステムと組み合わせると本製品を使用する際は、3Mにお問い合わせください。
 - 稼働中の機械、感電の危険、極低温・高温、有害化学物質、揮発性あるいは有毒性のガス、鋭利な角、ざらざらした表面、使用者や墜落防止用装置に落下するおそれのある頭上の物体が作業環境内に存在する場合は、特に注意してください。
 - 作業環境内の危険有害性に対して適合している製品をご使用ください。
 - 高所作業の際は、必要となる落下距離が確保されていることを確認してください。
 - 使用する墜落防止用装置を改造、改変しないでください。3Mあるいは3Mが書面で承認した者のみが、本製品を修理できます。
 - 墜落防止用装置を使用する前に、万一墜落が起きた場合に速やかに救助ができるよう、救助計画を策定してください。
 - 墜落事故が起きた場合は直ちに、墜落した作業者に医療機関を受診させてください。
 - 墜落制止用途には、フルハーネス型製品のみを使用してください。胴ベルトは使用しないでください。
 - 振り子現象を伴って墜落する危険性を最小限に抑えるために、できるだけアンカーポイントの真下で作業をしてください。
 - 本製品のトレーニングを行う場合は、二次的な墜落防止システムを使用する必要があります。実習者が誤って墜落しないようにしてください。
 - 本製品を設置、使用、点検する際には、必ず適切な個人用保護具を着用してください。
 - 吊り下げられている資材または作業の下で作業しないでください。
 - 無胴網状態を避けてください。

製品概要

3Mの取扱説明書は、常に最新のものを使用してください。最新の取扱説明書については、www.3m.com/userinstructionsにアクセスするか、3Mにお問い合わせください。

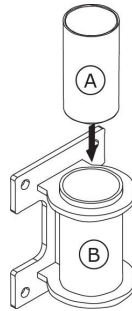
使用前に、製品に貼付された認識ラベル（IDラベル）の製品情報を、本説明書後段に記載された「点検および保守記録」に転記してください。

図1は、本取扱説明書が適用される製品を示しています。ダビットベースは、ダビットシステムを作業床に固定するためのものです。ダビットはベースに固定され、使用者にとって調整可能で可動式のアンカーポイントとして機能します。システムの用途に関する詳細については、適合性のあるダビットまたはダビットシステムの製造元の説明書を参照してください。

図2は、対象となる製品モデルの主要な構成部品を示したものです。ダビットベースは、ライナー（A）とダビットスリーブ（B）の2つの部品で構成されています。ライナーにより、固定されたダビットがダビットスリーブ内で自由に回転できます。スリーブには、ダビットベースを支持体に固定するための取り付けプレートが備わっています。

各製品の仕様は、図1に示すとおりです。詳細については、製品仕様の表を参照してください。

図2 - 構成品



製品仕様の表

システムの仕様

使用可能人数：	システム耐荷重の詳細については、適合性のあるダビット製品の製造元の取扱説明書を参照してください。
規格：	各製品は、図1に示す適用規格および規制に対して認定され、これらに準拠しています。指定がない場合は、表紙に記載されたすべての規格および規制が適用されます。

各構成部品の仕様

図2の各部の記号	構成部品	素材
A	ライナー	高密度ポリエチレン
B	ダビットスリーブ	8000101:亜鉛メッキ炭素鋼
		8000102:ステンレス鋼

1.0 製品の用途

1.1 目的：ダビットシステムは、墜落防止システム用の移動式アンカーとして機能します。アセンブリと構成部品はシステムによって異なります。システムの用途の詳細については、「製品概要」および「設置」または「使用」に関するセクションを参照してください。

1.2 監督：本製品は、安全管理者の監督の下で使用する必要があります。本製品の設置にも安全管理者の監督が必要です。設置が地方自治体および国の規制に従っていることを有資格者が確認する必要があります。固定部材およびダビットベースの配置も、有資格者の承認を得る必要があります。

1.3 再販と配布：本製品が当初の仕向け国以外で再販される場合、再販業者は本製品が使用される国の言語で取扱説明書を提供する必要があります。

1.4 トレーニング：本製品は、正しい使用方法に関するトレーニングを受講した者のみが設置、使用してください。本取扱説明書は、国または地域の各種規格によって規定される従業員トレーニングプログラムの一環として使用するものです。本製品の使用者および設置者は、本書を熟読し、本製品の正しい取扱方法と使用方法に関するトレーニングを受ける責任があります。また、動作特性、用途の制限、不適切に使用した場合の結果について理解する必要があります。

1.5 救助計画：本製品を使用したり、サブシステムを接続したりする場合、事業主は書面により救助計画とその実施手段を用意し、使用者、現場責任者、救助者と共有してください。訓練された現場の救助チームを編成することが推奨されます。チームのメンバーには、救助を適切に行うための機器および技術を提供してください。トレーニングを定期的に行い、救助者が確実に習得できるようにしてください。また、救助者に本取扱説明書を提供してください。救助実施中は常に、被救助者を目視できる状態、または意思疎通のための何らかの手段を必ず確保してください。

2.0 システム要件

2.1 アンカー：この製品を据え付けるアンカー構造は、その墜落防止システムが許容する負荷に耐えられるものである必要があります。詳細については、セクション4を参照してください。

2.2 耐荷重：墜落防止システム全体の耐荷重は、その定格最大耐荷重が最も小さい構成部品によって制限されます。たとえば、接続するサブシステムの耐荷重がフルハーネスの耐荷重より小さい場合は、その接続するサブシステムの耐荷重要件に従う必要があります。耐荷重要件については、システムの各構成部品の製造元からの取扱説明書を参照してください。

2.3 環境上の危険源：危険性が考えられるような環境下で本製品を使用する際には、使用者のけがや製品の損傷を防ぐために、さらなる予防策を講じてください。危険性には、高温、化学物質、腐食性環境、高圧電線、爆発性ガスまたは有毒ガス、稼働中の機械、鋭利なエッジ、使用者や機器上に落下および接触する可能性のある頭上の物体などが含まれますが、これらに限定されません。詳細については、3Mまでお問い合わせください。

2.4 ワイヤロープの危険：ワイヤロープにおいて、いかなる危険も発生しない状態を確保してください。このような危険としては、使用者や他の作業員、稼働中の機械、周囲のその他の物体との絡み、またはワイヤロープや使用者に落下する可能性のある頭上の物体からの衝撃などが挙げられますが、これらに限定されません。

2.5 各部品の適合性：3Mの機器は、3Mの機器同士を組み合わせることを前提として設計されています。3M製以外の装置を使用する場合は、安全管理者による承認が必要となります。指定外の構成部品やサブシステムを使用した代用品は、装置の適合性を損なう可能性があり、墜落防止システムの安全性と信頼性に影響を及ぼす恐れがあります。使用前に、すべての装置に対する警告と指示をすべて読み、それに従ってください。

2.6 コネクタの適合性：コネクタの向きにかかわらず、構成部品のサイズや形状が原因で意図せずコネクタが開かない場合、コネクタは接続要素に対して適合性があるとみなされます。コネクタは、各種の適用規格に適合する必要があります。また、使用中は完全に閉じられ、ロックされている必要があります。

3Mのコネクタ（スナップフック、カラビナ）は、それぞれの取扱説明書に指定された方法でのみ使用してください。各コネクタが、接続するシステム構成部品と適合することを確認してください。適合性のない装置は使用しないでください。適合性のないコネクタは、誤って脱落する可能性があります。例については、図3を参照してください。コネクタが取り付けられる接続部の寸法が小さかったり、不規則な形状の場合は、コネクタの開閉部に想定以上の力が加わる可能性があります（A）。この力により、開閉部が開き（B）、コネクタが連結部から外れる可能性があります（C）。

2.7 接続：いずれの接続も、寸法、形状、強度の面において適合性があることを確認してください。不適切な接続の例については、図4を参照してください。スナップフックおよびカラビナを、以下のような方法で接続しないでください。

- すでにほかのコネクタが取り付けられているDリングへの接続。
- ゲート（開閉部）に荷重がかかるような接続。スナップフックに16 kN（3,600 lbs）のゲート（開閉部）が装備されている場合を除き、大径フックを標準サイズのDリングや同様の物体に接続しないでください。
- コネクタや接続要素のサイズや形状に適合性がなかったり、接続されていることが目視で確認できないなどの不完全な接続。
- スナップフック同士、カラビナ同士の接続。

5. フルハーネスのベルト、ランヤードのロープ・ストラップ部、アンカースリング等の回し掛け素材への直接接続（ただし、製造元の取扱説明書で明確に認められている場合を除く）。
6. コネクタを完全に閉じてロックできないサイズまたは形状のもの、あるいは脱落が生じる可能性があるものへの接続。
7. 負荷がかかった状態で、コネクタが適切な方向に向かないような方法での接続。

図3 - コネクタの適合性			図4 - 接続方法						
A	B	C	A.	B.	C.	D.			

3.0 設置

3.1 概要：ダビットシステムの設置には複数の手順を要するため、時間がかかることがあります。このプロセスをできるだけ円滑に進めるために、効果的な計画を立て、作業現場や使用する機器についてしっかりと認識しておくことが重要です。

3.2 計画：作業を開始する前に、墜落防止システムの計画を立ててください。墜落発生時および墜落発生前後の安全性に影響を与える可能性のある、あらゆる要因をすべて考慮してください。本取扱説明書に記載されたすべての要件と制約事項を考慮してください。

1. **鋭利なエッジ：**養生されていない鋭利な縁やざらざらした表面にシステムの構成部品が接触したり、こすれたりする可能性のある環境での作業は避けてください。鋭利な縁やざらざらした表面はすべて、養生しておく必要があります。
2. **適合性：**システムを設置する際は、適合性のある構成部品を使用することが重要です。各製品は特定の組み合わせ、またはシステム構成での使用に適合します。

ダビットベースには、記載されているダビットと適合性のある任意のダビットマスト延長部材を取り付けることもできます。

適合性のあるダビット製品	ダビット製品取扱説明書
8000107	5908417
8000108	5908417
8000130	5908364
8000131	5908364

3.3 ダビットベースの設置：各製品の取扱説明書に従って、ダビットベースを設置します。

ダビットベースを取り付ける前に、取り付け面をきれいに掃除してください。

A. ウォールマウントダビットベース：ダビットベースは使用前に準備する必要があります。

1. **場所を準備します。**ダビットベースを取り付けるための適切な取り付け面を選択してから、ベースを取り付ける場所を決定します。構造およびシステムの強度要件を満たすには、端部からの十分なマージン (A) と材料の厚み (B) を確保する必要があります。すべての取り付け穴に印を付けてから、コンクリートアンカーの製造元が推奨する直径と深さで穴を開けます。

ダビットベースは、平らな垂直面に設置する必要があります。

2. **ダビットベースを配置します。**取り付けプレートの穴と、あらかじめ開けた穴の位置を合わせます。ダビットベースは、垂直方向から±1度以内の範囲で設置する必要があります。
3. **ダビットベースを固定します。**固定部材製造元一の指示に従い、選択した固定部材を使用してダビットベースを固定します。

図6 - ウォールマウントダビットベースの取り付け

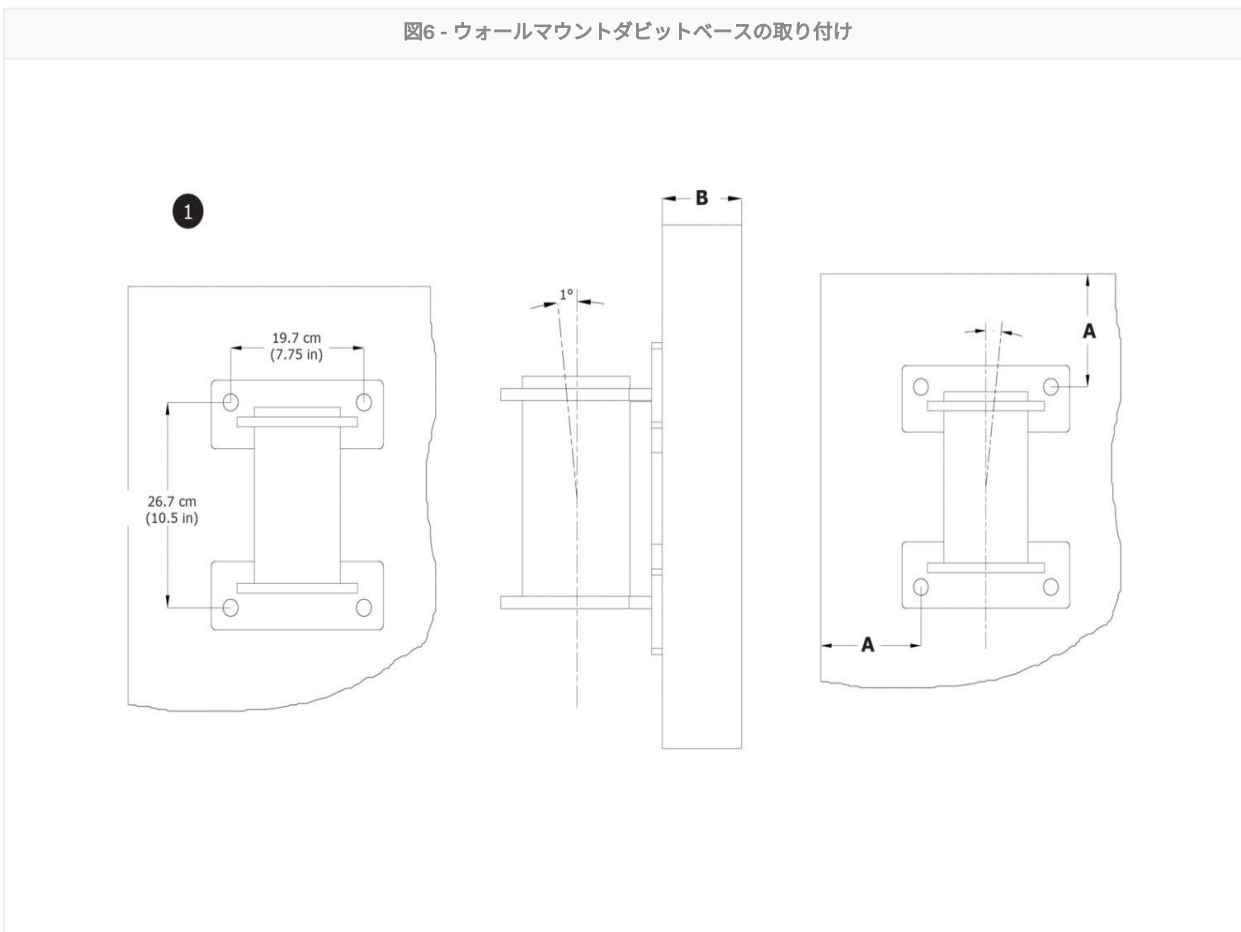
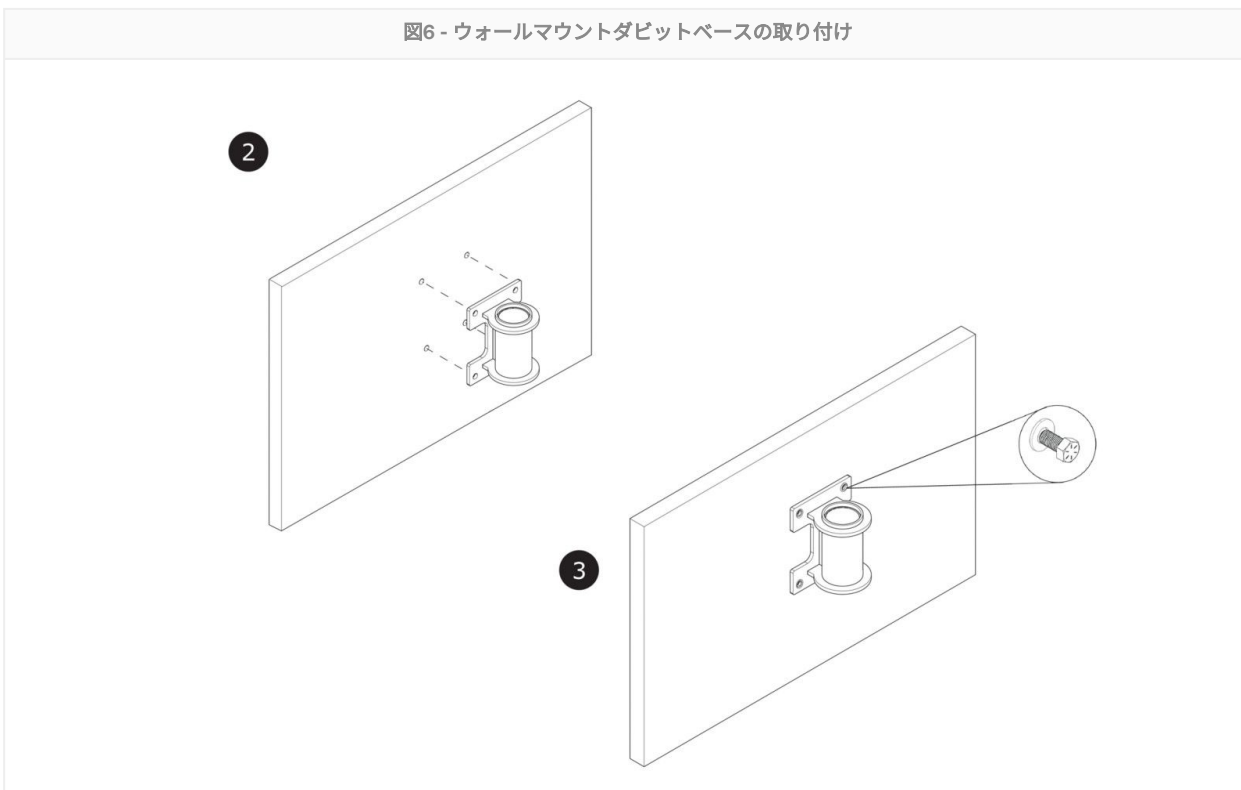


図6 - ウォールマウントダビットベースの取り付け



3.4 ダビットの固定：ダビットベースを取り付けた後、使用者はダビットアームまたはマストをベースに固定できます。使用しているダビットベースに応じ、ダビットを取り付けポストまたはダビットベースのスリーブの内側に固定してください。ダビットが固定されていること、およびガイドまたはロックピンが適切に使用されていることを確認してください。詳細については、お使いのダビットまたはダビットシステムの製造元が提供する取扱説明書をご確認ください。

4.0 使用

4.1 毎回ご使用になる前に：作業区域および墜落防止システムに関して、本取扱説明書に規定されたすべての基準を満たしていることを確認します。また、正式な救助計画が用意されていることも確認してください。「点検および保守記録」に定義された「使用者」点検ポイントに従い、本製品を点検します。点検により危険または欠陥が見つかった場合や、安全な使用に不安がある場合は、直ちに本製品の使用を中止してください。製品に「使用禁止」と明記してください。詳細については、セクション5を参照してください。

4.2 設置面：墜落防止システムでは、製品の耐荷重に加え、支持構造や構成部品の強度を考慮する必要があります。

1. **支持体の構造：**この製品を固定する設置面は、この製品の墜落防止システムが許容する必要荷重に耐えるものである必要があります。

モーメント荷重	15.41 kN*m (136,400 インチポンド)
---------	-----------------------------

2. **製品の固定点：**製品とともに使用される製品の固定点は、製品から加わるあらゆる負荷に耐えることができなければなりません。
3. **固定部材：**製品を所定の位置に固定するすべての固定部材には、使用中に製品を確実に固定できるだけの強度が必要です。詳細については、固定部材の製造元の取扱説明書を参照してください。

固定部材引抜き	35.59 kN (8,000 lbf)
固定部材あたりのせん断強度	22.2 kN (5,000 lbf)

4.3 墜落の発生後：墜落制止の力や衝撃が本製品に加わった場合、直ちに使用を中止する必要があります。「使用禁止」と明記してください。詳細については、セクション5を参照してください。

4.4 荷物の昇降：記載されているように、3Mはこの製品を荷物の昇降に使用することを認めています。地域の規制または基準に追加の制限がある場合や、荷物の昇降のための墜落防止装置の使用を規制している場合があります。

△CAUTION:

この製品を荷物の昇降に使用するには、適合性のあるダビットと組み合わせて使用する必要があります。荷物をダビットベースに直接固定しないでください。

荷物を接続する前に、輸送の準備が整っていることを確認してください。

絶対に、この製品に荷物と使用者を同時に接続しないでください。

荷物の昇降に使用した製品は、次の使用前に安全管理者による点検を受けなければなりません。現地の規制や基準により、人への使用と荷物の昇降での使用の切り替えが制限される場合があります。

1. **ダビットを固定します。**ダビットの取扱説明書に従って、ダビットをダビットベースに固定します。
2. **接続サブシステムをダビットに固定します。**詳細については、ダビットの取扱説明書を参照してください。
3. **ワイヤロープを荷物に接続します。**必要に応じて、荷物を昇降します。

荷物の昇降能力

340 kg (750ポンド)

5.0 点検

いったん使用が中止された機器は、使用を再開しても差し支えないことを安全管理者が書面により確認するまで、使用を再開することはできません。

5.1 点検の頻度：本製品は、使用前に毎回使用者が点検するものとし、また、使用者以外の安全管理者が下記の頻度で点検する必要があります。本製品の使用頻度が高い場合や作業条件が過酷な場合は、安全管理者による点検の頻度を高める必要があります。点検の頻度は、現場の状況に基づいて安全管理者が決定します。

該当する規格または地域

安全管理者による点検の必要な頻度

ANSIおよびOSHA	年に一度
EN規格	年に一度
AS/NZS	年に一度

5.2 点検手順：本製品を、「点検および保守記録」に記載された手順に従って点検します。点検記録は、本製品の所有者が管理する必要があります。点検および保守記録は、本製品の近くに保管するか、使用者が利用しやすいように保管しておく必要があります。本製品には、次回または前回の検査日を記載するようにしてください。

5.3 欠陥：欠陥や危険な状態であるために、製品の使用を再開できない場合は、製品を廃棄するか、あるいは3Mまたは3M認定サービスセンターに送付して修理を依頼してください。

5.4 製品寿命：本製品の機能面の寿命は、作業環境と保守に応じて決まります。本製品は点検基準により合格と認められる限り、引き続き使用できます。

6.0 保守、保管、修理

製品に保守が必要であるか、または保守が予定されている場合は、「使用禁止」と明記したラベルを貼付する必要があります。このラベルは、保守が行われるまで装置から取り外さないでください。

6.1 クリーニング：製品外面を水と中性洗剤で定期的に洗浄してください。製品を水で十分にすすぎ、自然乾燥させます。必要に応じてラベルの汚れを落とします。詳細については、当社のウェブサイトの技術情報をご覧ください：<https://www.3M.com/FallProtection/Mechanical-Device-Cleaning>

6.2 修理：3Mまたは3Mが書面で承認した業者のみが本製品を修理できます。

6.3 保管および輸送：製品は直射日光を避け、涼しく乾燥した、清潔な環境で保管および輸送します。化学薬品蒸気のある区域は避けてください。長期保管後は、部品を入念に点検してください。

恒久的に設置されたベースは、設置場所から移動しないでください。保管または移動の際は固定式のダビットベースから他の部品を取り外すことができますが、ベースは設置したままにしてください。

△WARNING:

極端に温度が高い環境と低い環境の間を急に移動させると、機器の性能に影響を与える可能性があります。機械装置（巻取り式ランヤードや安全ブロック、ウインチ、救助装置、昇降スリーブなど）は、作業環境と同様の温度で保管することにより、極端に温度が高い環境や低い環境での使用に順応させる事ができます。機器を使用する前に、必ず作業環境で使用点検を行ってください。

7.0 ラベルとマーク

7.1 概要：「製品ラベル」の図は、製品に表示されているラベルとマークを示しています。各ラベルとマークで示されている情報の概要については以下を参照してください。

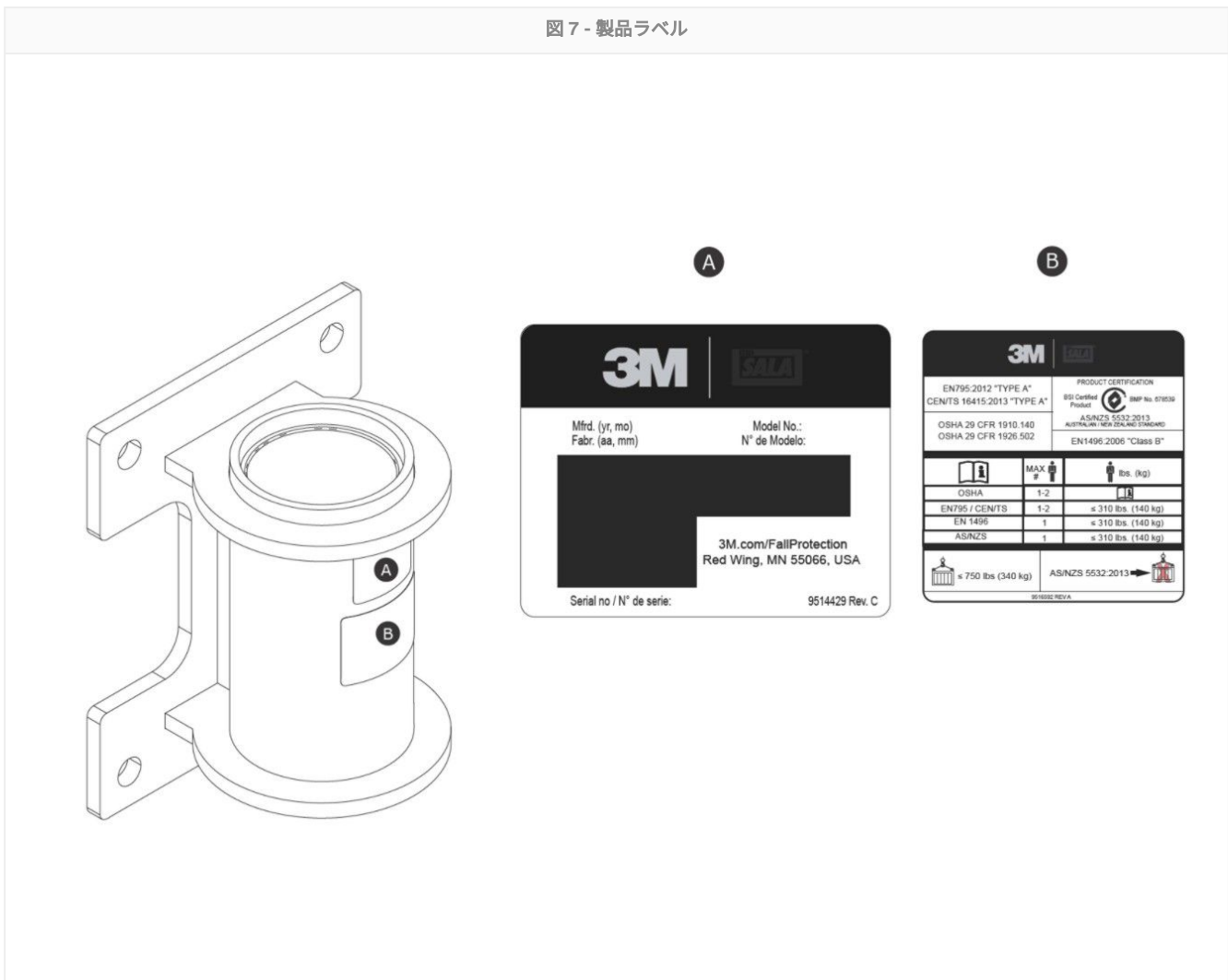
NOTICE:

ラベルの画像は参考として掲載しているものです。具体的な情報については、実際の製品ラベルを参照してください。

ラベルが無かったり、破損していたりする場合は交換してください。すべてのラベルが容易に判読できる状態になっている必要があります。

A	製品仕様ラベル
B	IDラベル

図 7 - 製品ラベル



用語集

定義：本書では、以下の用語と定義を使用しています。

すべての用語と定義については、3Mのウェブサイト www.3m.com/FallProtection/ifu-glossary を参照してください。

- **現場責任者：**自身が墜落の危険にさらされる場所で職務を行うことを雇用主から任命された者の責任者。

- **安全管理者**：周辺環境や作業環境において、従業員にとって不衛生、有害、または危険である、現存する予測可能な危険を見極めることができ、これらの危険を取り除くための是正措置を迅速に実施する権限を持つ者。
- **墜落制止用システム**：墜落が起きた場合に使用者を保護するように構成された、一式の墜落防止用器具。
- **有資格者**：国や地域の適用法によって求められる範囲内で、墜落防止および救助システムに関連する問題を解決または解消するための認知された学位、認定証、または専門的地位を持つ者。あるいは豊富な知識、トレーニング、および実績により、そのような能力を明確に示すことのできる者。
- **救助システム**：被災者を危険な状況から助け出し、安全な場所へ避難させることを目的に構成された一式の墜落防止用器具。自由落下を完全に阻止します。
- **救助者**：救助システムを使用して補助された救助を実施する者。
- **レストレイントシステム**：使用者が墜落の危険にさらされることを防止するために構成された、一式の墜落防止用装置。自由落下を完全に阻止します。
- **使用者**：墜落防止システムによって保護された状態で作業を実施する者。
- **ワークポジショニング用システム**：作業者が特定の位置で作業することを補助するために構成された、一式の墜落防止用器具。

点検および保守記録

点検ごとにこの表を1部コピーして使用し、以下の に情報を記録してください。

メーカー：3M

モデル番号（シリアル番号）：

購入日：

使用開始日：

本製品は、毎回の使用前に使用者が点検を行う必要があります。さらに、使用者以外の安全管理者が、セクション5で指定された頻度でこの機器を点検する必要があります。

構成品	点検手順	点検結果（合格または不合格）
製品（図2）	ダビットベースに破損、変形、腐食、サビがないか点検します。システムの強度や作動に影響を及ぼすおそれのある、亀裂、変形、へこみ、摩耗などがないか確認してください。腐食を点検する際は、アンカー装置だけでなく、取り付け部品や固定具、さらにアンカー装置が取り付けられている構造体についてもあわせて確認してください。	
	損傷や腐食がないか、すべての接合部を点検します。必要に応じて締めてください。	
	操作中に誤作動を引き起こす可能性のあるひび、亀裂、破損、摩耗している部分がないか、すべての可動部品を点検します。	
ラベル	すべてのラベルが添付され、記載内容が確実に判読できる状態であることを確認します。	
墜落防止用装置	製品と併用する追加の墜落防止用器具は、製造元の指示に従って設置および点検されます。各製品の定格耐荷重が、目的の用途に対して適合性があり、十分であることを確認してください。	

製品点検の概要

不合格となった検査項目が1つでもあった場合は、製品全体の検査が不合格となります。点検の結果不合格となった製品は、ただちに使用を中止してください。製品に「使用禁止」と明記してください。詳細については、セクション5を参照してください。


点検者の種類：	<input type="checkbox"/> 作業者	<input type="checkbox"/> 責任者	総合点検結果：	
点検者：			点検日：	
署名：			次回の点検日：	
その他の注意事項：				

認証

本製品は、取扱説明書の表紙に記載された国または地域の各種規格に適合または準拠しています。認証と適合性は、個々の製品モデルまたは用途に限定される場合があります。

認証または適合性に関する要件の詳細については、製品に適用される規格および規則の一覧を参照してください。

AS/NZS規格に基づいて製品を使用する使用者は、選定、使用、保守、およびトレーニングの要件について、AS/NZS 1891.4を参照してください。

<p>BSI認証製品</p> <p>AS/NZS 5532:2013</p> <p>ライセンス：BMP 678539</p>	<p>BSI - Head Office Suite 1, Level 1, 54 Waterloo Road Macquarie Park, NSW, 2113 Australia</p>	
--	---	---

製品保証、救済手段の制限および責任の制限

保証：以下の内容は、商品性または特定目的への適合性についての黙示的な保証または条件を含む、明示もしくは黙示のあらゆる保証または条件に代わって作成されています。

現地法で別途定めのない限り、3Mの落下防止用製品は製造上または原材料上の欠陥に対し、設置日または最初の所有者による使用開始の日から1年間保証されません。

救済手段の制限：3Mへの書面による通知に基づき、3Mは3Mが製造上または原材料上の欠陥があると判断する製品の修理または交換を行います。3Mは、保証請求の評価のために3Mの施設に製品を返送するよう求める権利を留保します。本保証は、消耗、乱用、誤用による製品損傷、輸送中の損害、製品の不適切な保守管理または3Mの管理下でないその他の損害は対象となりません。製品の状態、およびいずれの保証をおこなうかについては、3Mが単独で判断を下します。

本保証は最初の購入者のみを対象とし、墜落防止用製品に対する3Mの唯一の保証となります。何かお困りのことがあれば、お客様の地域を担当している3Mのカスタマーサービスにお問い合わせください。

責任の制限：現地法で許容される範囲において、主張される法理論にかかわらず、製品に何らかの形で関連する利益の損失を含む（ただしこれに限定されない）間接的、偶発的、例外的、派生的な損害に対して、3Mは一切責任を負いません。

製品保証、救済手段の制限および責任の制限

保証：以下の内容は、商品性または特定目的への適合性についての黙示的な保証または条件を含む、明示もしくは黙示のあらゆる保証または条件に代わって作成されています。

現地法で別途定めのない限り、3Mの落下防止用製品は製造上または原材料上の欠陥に対し、設置日または最初の所有者による使用開始の日から1年間保証されます。

救済手段の制限：3Mへの書面による通知に基づき、3Mは3Mが製造上または原材料上の欠陥があると判断する製品の修理または交換を行います。3Mは、保証請求の評価のために3Mの施設に製品を返送するよう求める権利を留保します。本保証は、消耗、乱用、誤用による製品損傷、輸送中の損害、製品の不適切な保守管理または3Mの管理下でないその他の損害は対象となりません。製品の状態、およびいずれの保証をおこなうかについては、3Mが単独で判断を下します。

本保証は最初の購入者のみを対象とし、墜落防止用製品に対する3Mの唯一の保証となります。何かお困りのことがあれば、お客様の地域を担当している3Mのカスタマーサービスにお問い合わせください。

責任の制限：現地法で許容される範囲において、主張される法理論にかかわらず、製品に何らかの形で関連する利益の損失を含む（ただしこれに限定されない）間接的、偶発的、例外的、派生的な損害に対して、3Mは一切責任を負いません。



3M.com/FallProtection

連絡先情報		
<p>米国 3833 SALA Way Red Wing, MN 55066-5005 フリーダイヤル：800.328.6146 電話：651.388.8282 3Mfallprotection@mmm.com</p>	<p>英国 3M Centre Cain Road Bracknell, RG12 8HT 電話：0870 60800 60 www.3M.co.uk/construction</p>	<p>シンガポール Yishun Avenue 7 Singapore 768923 電話：+65-6450 8888 TotalFallProtection@mmm.com</p>
<p>カナダ 600 Edwards Blvd, Unit #2 Mississauga, ON L5T 2V7 電話：905.795.9333 フリーダイヤル：800.387.7484 3Mfallprotection-ca@mmm.com</p>	<p>スロバキア Capital Safety Group - Banská Bystrica, s.r.o. Jegerovova 35 974 01 Banská Bystrica Slovak Republic 電話：+421 (0)47 00 330 informationfallprotection@mmm.com</p>	<p>中国：38/F, Maxdo Center, 8 Xing Yi Rd Shanghai 200336, P R China 電話：+86 21 62753535 3MFallProtecton-CN@mmm.com</p>
<p>ブラジル Rodovia Anhanguera, km 110 Sumaré - SP CEP:13181-900 Brasil 電話：0800-013-2333 falecoma3m@mmm.com</p>	<p>オーストラリアとニュージーランド 2 Hume Road Smithfield, NSW 2164 Australia フリーダイヤル：1800 245 002 (オーストラリア) フリーダイヤル：0800 212 505 (NZ) 3msafetyaucs@mmm.com</p>	<p>韓国：3M Korea Ltd 18F, 82 Uisadang-daero, Yeongdeungpo-gu, Seoul 電話：+82-80-033-4114 3msupport.kr@mmm.com</p>
<p>メキシコ Av.Santa Fe No. 190 Col. Santa Fe, Ciudad de Mexico CP 01219, Mexico 電話：01 800 120 3636 3msaludocupacional@mmm.com</p>		<p>日本：〒141-8684 東京都品川区北品川 6-7-29 電話：+81-570-011-321 psd.jp@mmm.com</p>



適合宣言（欧州連合および英国）：

3M.com/FallProtection/DOC

3M™ DBI-SALA® 벽 고정형 다비트 베이스

사용자 지침

양식 번호: 5903663, 개정: F

이 제품은 다음 표준 및 규정에 대한 인증을 받았거나 이를 준수합니다. 인증 및 적합성은 개별 제품 모델 또는 응용 분야로 제한될 수 있습니다. 자세한 내용은 인증을 참조하십시오.

- OSHA 29 CFR 1910.140, 1926.502
- EN 795:2012(유형 A)
- CEN/TS 16415:2013(유형 A)
- EN 1496:2006(4.6항)
- AS/NZS 5532:2013

⚠WARNING:

제품 코드를 알아보려면 제품 사양표를 참조하십시오. 자세한 제품 정보는 제품 개요를 참조하십시오.

일부 구성 요소는 개별적으로 인증되지 않을 수 있으며, 인증 요건을 충족하려면 조립해야 할 수 있습니다.

그림 1 - 제품 개요

모델	스타일	D1	D2	D3	D4	D5	제품 무게
8000101	A	10.2cm(4.0")	32.4cm(12.75")	19.0cm(7.5")	25.4cm(10.0")	22.2mm(0.88")	15.7kg(34.0lb.)
8000102	A	10.2cm(4.0")	32.4cm(12.75")	19.0cm(7.5")	25.4cm(10.0")	22.2mm(0.88")	15.7kg(34.0lb.)

안전 정보

제품을 사용하기 전에 본 지침에 포함된 모든 안전 정보를 읽고 이해하고 따르십시오. 그렇지 않으면 심각한 부상이나 사망으로 이어질 수 있습니다.

본 지침은 장비의 사용자에게 제공되어야 합니다. 나중에 참조할 수 있도록 지침을 보관하십시오.

안전 정보

양식: 5908277, 개정: B

용도

이 제품은 완전 추락 보호 시스템의 일부로 사용됩니다.

미승인 자체 취급, 레크리에이션이나 스포츠 관련 활동 또는 해당 지침에 명시되지 않은 기타 활동을 포함하되 이에 국한되지 않는 다른 용도로의 사용은 3M에서 승인하지 않으며, 이렇게 사용할 경우 심각한 부상이나 사망으로 이어질 수 있습니다.

이 제품은 작업장에서 사용 시 숙련된 사용자만 이용할 수 있습니다.

⚠ 경고

이 제품은 완전 추락 보호 시스템의 일부로 사용됩니다.

모든 사용자는 완전 추락 보호 시스템의 안전한 설치 및 작동에 대해 충분한 교육을 받아야 합니다. 이 제품을 잘못 사용하면 심각한 부상이나 사망에 이를 수 있습니다. 적절한 선택, 작동, 설치, 유지 보수 및 서비스에 대해서는 모든 사용 설명서 및 제조업체 권장 사항을 참조하십시오. 자세한 내용은 감독자 또는 3M 기술 서비스에 문의하십시오.

● **밀폐 공간 진입-구조 시스템을 사용하여 작업하는 것과 관련하여 방지하지 않으면 심각한 부상이나 사망을 초래할 수 있는 위험을 줄이려면 다음을 따르십시오.**

- 이 지침에 지정된 절차에 따라 사용 전과 추락 사고 후 항상 제품을 검사하십시오.
- 검사 결과 안전하지 않거나 결함이 있는 상태가 드러날 경우 제품을 즉시 사용 중단하고 '사용 금지'라는 라벨을 부착하십시오. 설명서를 따라 제품을 파기하거나 수리하십시오.
- 추락 방지 또는 충격을 받은 제품은 즉시 사용 중단합니다. 설명서를 따라 제품을 파기하거나 수리하십시오.
- 다른 제조업체가 만든 구성 요소로 조립된 추락 보호 시스템의 호환성을 확인하고, 해당되는 모든 추락 보호 규정, 표준 또는 요건을 충족하는지 확인하십시오. 이러한 시스템을 사용하기 전에 항상 유자격자에게 문의하십시오.
- 제품은 사용 설명서에 설명된 대로만 설치해야 합니다. 이 사용 설명서의 범위를 벗어난 설치 및 사용 시에는 3M의 서면 승인을 받아야 합니다.
- 추락 보호 하위 시스템은 제품의 지정된 앵커리지 연결점에만 연결하십시오.
- 설치하기 전에 설치 방법을 살펴보고 제품이 전선, 가스선 또는 기타 중요한 재질이나 시스템을 방해하지 않는지 확인하십시오.
- 안전하게 작동할 수 있도록 지침의 설명을 따라 제품이 올바르게 구성되고 설치되었는지 확인하십시오.
- 구멍줄을 비틀거나 묶거나 매듭을 짓거나 느슨하게 하지 마십시오.
- 지침에 명시된 허용 가능한 사용 인원 수를 초과하지 마십시오.
- 움직이는 부품에 끼인 부분이 생기지 않도록 제품 설치, 사용 또는 이동 시 주의하십시오.
- 해당되는 경우 잠금/태그아웃 절차를 따라야 합니다.
- 운송 또는 설치 중인 시스템에는 연결하지 마십시오.

● **심각한 부상이나 사망을 초래할 수 있는 높은 장소에서의 작업과 관련한 위험을 줄이려면 다음을 따르십시오.**

- 작업자의 건강 및 신체 상태는 안전하게 고소 작업이 가능하고 추락 방지 상황 시 발생하는 모든 힘을 견딜 수 있는 상태여야 합니다. 본 장비 사용 능력에 관해 궁금한 사항이 있으면 의사와 상담하십시오.
- 추락 보호 장비의 허용 중량을 초과해서는 안 됩니다.
- 추락 보호 장비의 지정된 최대 자유 낙하 거리를 초과해서는 안 됩니다.
- 검사를 통과하지 못한 추락 보호 장비를 사용하지 마십시오. 또는 장비의 사용이나 적합성에 대한 우려가 있는 경우에는 사용하지 마십시오. 궁금한 사항이 있으면 3M 고객 서비스에 문의하십시오.
- 일부 하위 시스템 및 구성 요소 조합은 본 장비의 작동을 방해할 수 있습니다. 호환되는 연결만 사용하십시오. 지침에 명시되지 않은 구성 요소 또는 하위 시스템과 함께 이 장비를 사용할 때는 사전에 3M 고객 서비스에 문의하십시오.
- 움직이는 기계 주변, 전기적 위험, 극한의 온도, 화학적 위험, 폭발성 또는 유독성 가스, 날카로운 모서리, 거친 표면 주변 또는 본인이나 추락 보호 장비 위로 떨어질 수 있는 자재 아래에서 작업할 때는 별도의 예방 조치를 취하십시오.
- 제품 사용이 작업 환경에 존재하는 위험 등급에 맞는지 확인하십시오.
- 높은 장소에서 작업할 때 추락 안전 거리가 충분한지 확인하십시오.
- 추락 보호 장비를 개조하거나 변경하지 마십시오. 3M 또는 3M의 서면 승인을 받은 작업자만 3M 장비를 수리할 수 있습니다.
- 추락 보호 장비를 사용하기 전에 추락 사고가 발생하면 즉각 구조할 수 있는 문서화된 구조 계획이 마련되어 있는지 확인하십시오.
- 낙상 사고가 발생하면 즉시 낙상한 근로자에게 의료 조치를 취하십시오.
- 추락 방지 용도로만 전신 하네스를 사용하십시오. 바디 벨트를 사용하지 마십시오.
- 가급적 앵커리지 지점 바로 아래에서 작업하여 스윙 추락을 최소화하십시오.
- 이 제품으로 훈련할 때는 보조 추락 보호 시스템을 사용해야 합니다. 훈련생이 의도되지 않은 추락 위험에 노출되어서는 안 됩니다.
- 제품을 설치, 사용 또는 검사할 때는 항상 적절한 개인 안전 보호구를 착용하십시오.
- 매달려 있는 화물이나 작업자 아래에서 작업하지 마십시오.
- 항상 100% 타이 오프를 유지하십시오.

제품 개요

항상 3M 사용 설명서의 최신 개정판을 참고하고 있는지 확인하십시오. 업데이트된 사용 설명서를 확인하려면 3M 웹사이트 (www.3m.com/userinstructions)를 방문하거나 3M 고객 서비스에 문의하십시오.

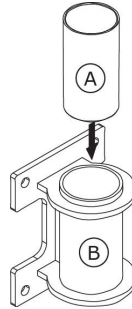
이 장비를 이용할 때는 먼저 본 설명서 뒷면의 ‘검사 및 유지보수 기록’에 있는 ID 라벨에 나와 있는 제품 정보를 기록하십시오.

그림 1은 사용 가능한 제품 모델을 보여줍니다. 다비트 베이스는 다비트 시스템의 일부로 지면에 고정하는 데 도움이 되는 부분 역할을 합니다. 다비트는 사용자를 위해 조정 가능하고 이동할 수 있는 앵커리지 포인트 역할을 하면서 베이스에 고정됩니다. 자세한 시스템 용도는 호환되는 다비트 또는 다비트 시스템에 대한 제조업체 지침에서 참조하십시오.

그림 2는 사용 가능한 제품 모델의 주요 구성 요소를 보여줍니다. 다비트 베이스는 2피스 (이형지(A) 1개와 다비트 슬리브(B) 1개)로 구성됩니다. 이형지를 사용하면 고정된 다비트가 다비트 슬리브 내부에서 자유롭게 회전할 수 있습니다. 슬리브에는 다비트 베이스를 구조물에 고정하는 데 사용할 연결 마운팅 플레이트가 포함되어 있습니다.

각 제품 모델에는 그림 1에 나와 있는 대로 고유한 사양이 있습니다. 자세한 내용은 제품 사양 표를 참조하십시오.

그림 2 - 구성 요소



제품 사양 표

시스템 사양

사용자 종량:	자세한 시스템 수용력은 호환 가능한 다비트 모델에 대한 제조업체 지침에서 참조하십시오.
표준:	각 제품 모델은 그림 1에 나열된 표준 및 규정에 대해 인증을 받았거나 이러한 표준 및 규정을 준수합니다. 아무것도 지정되지 않은 경우 표지에 나열된 모든 표준 및 규정이 적용됩니다.

구성 요소 사양

그림 2 참조	구성 요소	재질
A	이형지	고밀도 폴리에틸렌
B	다비트 슬리브	8000101: 아연 도금 탄소강
		8000102: 스테인리스 스틸

1.0 제품 용도

1.1 목적: 다비트 시스템은 추락 보호 시스템을 위한 이동식 앵커리지 구조 역할을 합니다. 어셈블리 및 구성 요소는 시스템에 따라 다릅니다. 시스템 응용 분야에 대한 자세한 내용은 "제품 개요" 및 설치 또는 사용에 대한 섹션을 참조하십시오.

1.2 감독: 이 장비는 유자격자의 감독하에 사용해야 합니다. 이 장비는 유자격자의 감독하에 설치해야 합니다. 적격자는 설치가 현지 및 연방 규정을 충족하는지 확인해야 합니다. 고정장치 및 다비트 베이스를 배치할 때도 적격자의 승인을 받아야 합니다.

1.3 재판매 및 유통: 본 제품이 본래 목적지 국가 외에서 재판매될 경우, 재판매업체는 이 지침을 제품이 사용되는 국가의 언어로 제공해야 합니다.

1.4 교육: 이 장비는 올바른 사용 교육을 받은 사람이 설치 및 사용해야 합니다. 이 지침은 국가, 지역 또는 현지 규정에 따라 직원 교육 프로그램의 일부로 사용됩니다. 본 장비의 사용자와 설치자는 이러한 지침을 잘 숙지하고, 본 장비의 올바른 관리 및 사용에 대한 교육을 받아야 하며, 작동 특성과 용도 제한, 장비의 부적절한 사용에 대한 결과를 알고 있어야 할 책임이 있습니다.

1.5 구조 계획: 본 장비 및 연결용 하위 시스템을 이용할 때 소유자는 구조 계획을 서면으로 작성하고, 이를 수행할 수단을 마련하고, 이를 사용자와 허가자, 구조자에게 알려야 합니다. 구조는 교육받은 현장 구조 팀이 수행하는 것이 좋습니다. 팀원에게는 성공적인 구조를 수행하기 위해 필요한 장비와 기술이 제공되어야 합니다. 능숙한 구조를 위해 정기적으로 교육을 제공해야 합니다. 구조 요원에게 이 지침을 제공해야 합니다. 구조 과정 내내 구조되는 사람을 눈으로 보거나 구조되는 사람과 의사소통할 수단이 있어야 합니다.

2.0 시스템 요건

2.1 앵커리지: 제품을 고정하는 앵커리지 구조는 추락 보호 시스템에서 허용하는 대로 필요한 하중을 견딜 수 있어야 합니다. 자세한 내용은 섹션 4를 참조하십시오.

2.2 중량: 전체 추락 보호 시스템의 사용자 중량은 정격 최대 중량이 가장 낮은 구성 요소에 의해 제한됩니다. 예를 들어 연결용 하위 시스템의 제한 중량이 하네스보다 적은 경우 연결용 하위 시스템의 제한 중량을 준수해야 합니다. 시스템의 각 구성 요소에 대한 중량 요건은 제조업체의 지침을 참조하십시오.

2.3 환경적 위험: 환경적 위험이 있는 구역에서 이 장비를 사용할 때는 사용자의 부상이나 장비의 훼손을 방지하기 위한 추가적인 주의가 필요합니다. 위험에는 고열, 화학 물질, 부식성 환경, 특고압 전력선, 폭발성 또는 독성 가스, 움직이는 기계, 날카로운 엇지 또는 사용자나 장비에 떨어져 닿을 수 있는 머리 위의 자재 등이 포함되나 이에 국한되지 않습니다. 추가 설명이 필요한 경우 3M 고객 서비스에 문의하십시오.

2.4 구멍줄 위험: 구멍줄에 다음 경우를 포함하되 이에 국한되지 않는 모든 위험 요소가 없는지 확인하십시오. 사용자, 다른 근로자, 움직이는 기계, 기타 주변 물체와의 얽힘 또는 구멍줄이나 사용자에게 떨어질 수 있는 머리 위 물체의 충격 등이 해당됩니다.

2.5 구성 요소 호환성: 3M 장비는 다른 3M 장비와 호환되도록 설계되었습니다. 타사 장비와 함께 사용하려면 유자격자의 승인을 받아야 합니다. 승인받지 않은 장비로 교체할 경우 장비가 호환되지 않을 수 있으며 추락 보호 시스템의 안전과 안정성에 영향을 줄 수 있습니다. 장비를 사용하기 전에 모든 지침과 경고를 읽고 따르십시오.

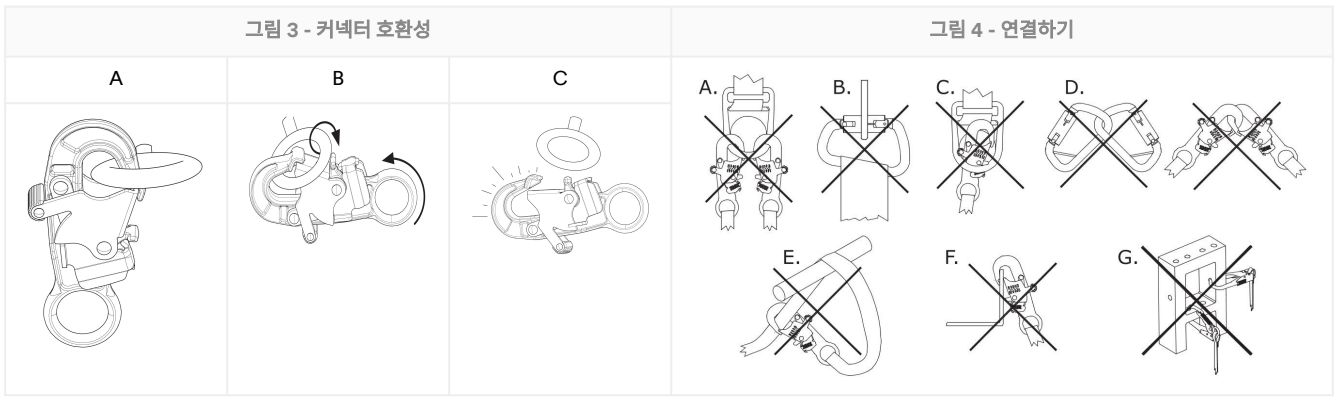
2.6 커넥터 호환성: 커넥터는 연결 요소와 호환됩니다. 단, 정렬 방향과 관계없이 구성 요소의 크기와 모양으로 인해 커넥터가 실수로 열리지 않아야 합니다. 커넥터는 적용되는 표준을 준수해야 합니다. 사용 중에는 커넥터를 완전히 닫고 잠가야 합니다.

3M 커넥터(스냅 후크 및 카라비너)는 해당 제품의 사용 설명서에 명시된 대로만 사용해야 합니다. 커넥터와 커넥터를 연결하는 시스템 구성 요소가 서로 호환되는지 확인하십시오. 호환되지 않는 장비는 사용하지 마십시오. 호환되지 않는 구성 요소를 사용하면 커넥터가 의도치 않게 분리될 수 있습니다. 그림을 참조하십시오. 커넥터가 부착된 연결 요소의 크기가 작거나 모양이 불규칙한 경우 연결 요소가 커넥터(A)의 게이트에 하중을 가할 수 있습니다. 이러한 하중으로 인해 게이트가 열리고(B) 커넥터와 연결 요소(C)가 분리될 수 있습니다.

2.7 연결하기: 모든 연결부는 크기, 모양 및 강도가 호환되어야 합니다. 부적절한 연결의 예는 그림을 참조하십시오. 스냅 후크와 카라비너를 다음과 같은 방식으로 부착하지 마십시오.

1. 다른 커넥터가 연결되어 있는 D링에 연결하면 안 됩니다.
2. 게이트에 하중을 가하는 방식으로 연결하면 안 됩니다. 스냅 후크의 게이트 강도가 16kN(3,600lbf) 미만일 경우 스로트가 큰 스냅 후크를 D링 또는 기타 연결 요소에 연결해서는 안 됩니다.
3. 눈으로 확인하지 않고 연결해서는 안 됩니다. 커넥터 또는 연결 요소의 크기나 모양이 호환되지 않으나 제대로 연결된 것처럼 보일 수 있습니다.
4. 상호 연결하면 안 됩니다.
5. 제조업체 지침에 명시적으로 연결이 허용되지 않는 한 하네스 웨빙, 랜야드 다리 재질 또는 타이 백 재질에 직접 연결하면 안 됩니다.
6. 크기나 모양으로 인해 커넥터가 완전히 닫히고 잠길 수 없거나 커넥터 롤아웃을 유발할 수 있는 대상에 연결하면 안 됩니다.
7. 하중을 받는 상태에서 커넥터가 적절하게 정렬되지 않는 방식으로 연결하면 안 됩니다.

그림 3 - 커넥터 호환성



3.0 설치

3.1 개요: 다비트 시스템을 설치할 때는 여러 단계가 포함된 긴 절차를 거쳐야 할 수 있습니다. 작업장 및 장비를 제대로 알고 있고 효과적으로 계획하면 프로세스를 최대한 원활하게 진행하는 데 큰 도움이 됩니다.

3.2 계획 수립: 작업을 시작하기 전에 추락 보호 시스템을 계획하십시오. 추락 전, 도중 및 후에 안전에 영향을 줄 수 있는 모든 요인을 고려합니다. 이 지침에 정의된 모든 요구 사항과 제한 사항을 고려하십시오.

1. **날카로운 엣지:** 시스템 구성 요소가 보호되지 않는 날카로운 모서리나 거친 표면에 닿거나 긁힐 수 있는 곳에서 작업하지 마십시오. 모든 날카로운 엣지와 거친 표면은 보호제로 덮어야 합니다.
2. **호환성:** 시스템을 설치할 때 호환되는 구성 요소를 사용하는 것이 중요합니다. 각 제품 모델은 특정 제품 모델 또는 디자인 세트와 함께 사용할 수 있습니다.

다비트 베이스에는 나열된 다비트와 호환되는 모든 다비트 마스트 확장장치를 장착할 수 있습니다.

호환 가능한 다비트 모델	다비트 사용자 지침
8000107	5908417
8000108	5908417
8000130	5908364
8000131	5908364

3.3 다비트 베이스 설치: 제품 모델에 제공된 지침에 따라 다비트 베이스를 설치합니다.

다비트 베이스를 설치하기 전에 앵커리지 구조의 표면에서 파편을 제거해야 합니다.

A. 벽 고정형 다비트 베이스: 다비트 베이스는 사용 전에 준비해야 합니다.

1. **위치를 준비합니다.** 다비트 베이스를 설치할 적절한 마운팅 표면을 선택한 다음, 베이스를 설치해야 하는 위치를 결정합니다. 구조 및 시스템의 강도 요구 사항을 지탱할 수 있도록 가장자리(A)와 재질 두께(B)에서 충분한 셋백이 있어야 합니다. 표시 후 고정장치 제조업체에서 권장하는 직경과 깊이로 모든 마운팅 구멍을 뚫습니다.

다비트 베이스는 평평한 수직 표면에 설치해야 합니다.

2. **다비트 베이스를 놓습니다.** 마운팅 플레이트의 구멍을 뚫린 구멍에 맞춥니다. 다비트 베이스는 수직을 기준으로 플러스 또는 마이너스 1도 범위 안에 자리 잡아야 합니다.
3. **다비트 베이스를 고정합니다.** 고정장치 제조업체의 지침에 명시된 대로 선택한 고정장치를 사용하여 다비트 베이스를 고정합니다.

그림 6 - 벽 고정형 다비트 베이스 설치

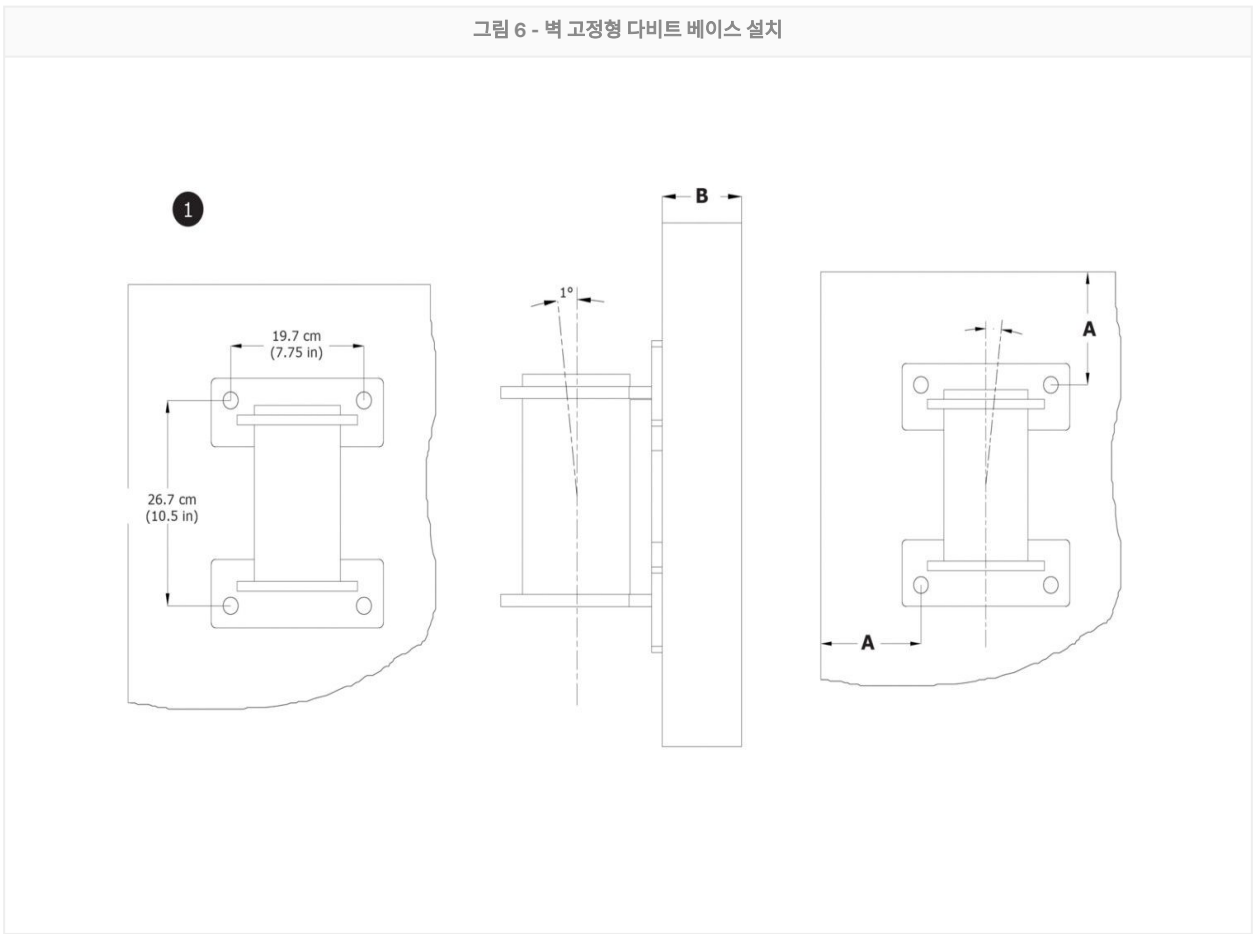
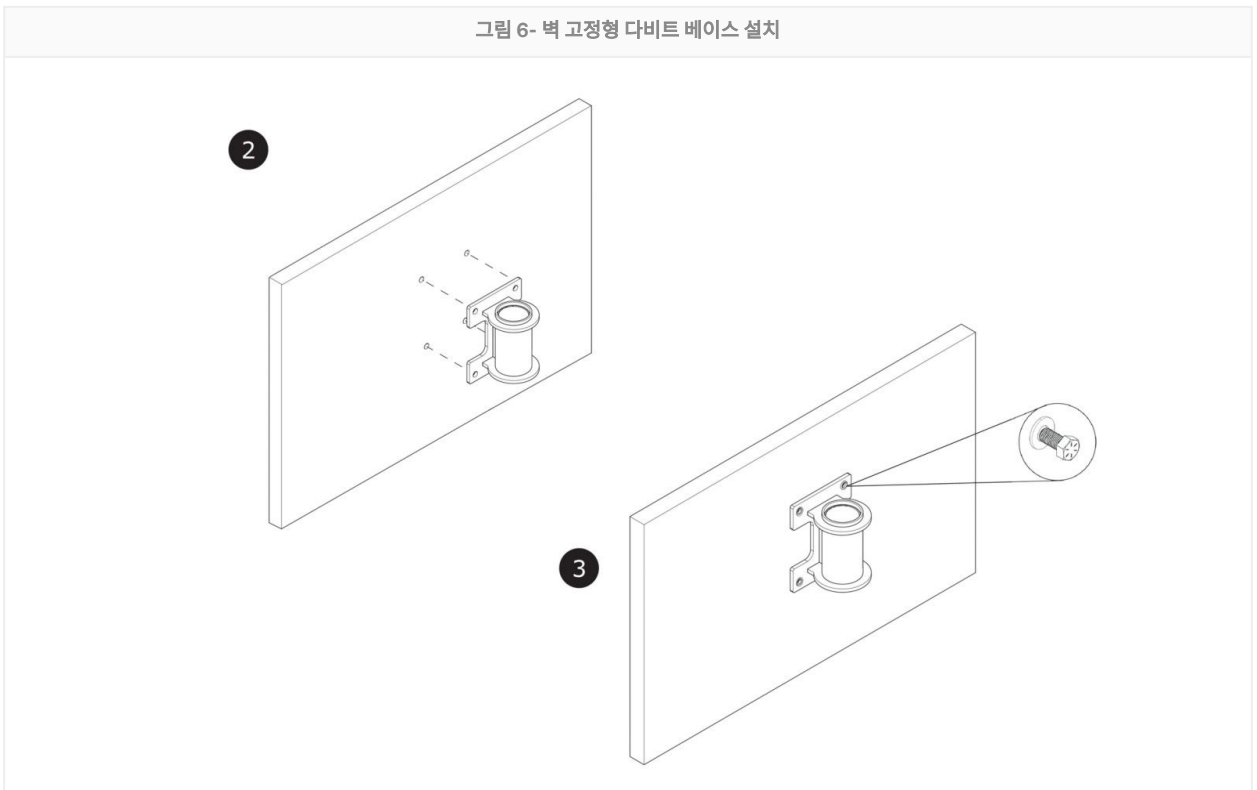


그림 6- 벽 고정형 다비트 베이스 설치



3.4 다비트 고정: 다비트 베이스가 설치된 후 사용자는 다비트 암 또는 마스트를 베이스에 고정할 수 있습니다. 다비트는 사용 중인 다비트 베이스에 해당하는 대로 마운팅 기둥 또는 다비트 베이스 슬리브 내부에 고정되어야 합니다. 다비트가 고정되어 있고 가이드 또는 잠금 핀이 적절하게 사용되었는지 확인합니다. 자세한 내용은 다비트 또는 다비트 시스템에 대한 제조업체 지침을 참조하십시오.

4.0 사용

4.1 매번 사용하기 전에: 작업 영역과 추락 보호 시스템이 이 지침에 정의된 모든 기준을 충족하는지 확인하십시오. 공식적인 구조 계획이 마련되어 있는지 확인하십시오. "검사 및 유지보수 로그"에 정의된 '사용자' 검사 포인트에 따라 제품을 검사하십시오. 검사 결과 안전하지 않거나 결함이 있는 상태가 나타나거나 안전한 사용을 위한 상태에 의심이 가는 경우 즉시 제품을 서비스에서 제거하십시오. 제품에 "사용 금지"라는 태그를 명확하게 지정하십시오. 자세한 내용은 섹션 5를 참조하십시오.

4.2 앵커리지: 모든 추락 보호 시스템은 제품 용량 외에도 지지 구조 또는 구성 요소의 강도를 고려해야 합니다.

- 1. 앵커리지 구조:** 제품을 고정하는 앵커리지 구조는 제품의 추락 보호 시스템에서 허용하는 대로 필요한 하중을 견딜 수 있어야 합니다.

모멘트 하중	136,400"-lb. (15.41kN*m)
--------	--------------------------

- 2. 앵커리지 연결점:** 제품과 함께 사용되는 앵커리지 연결점은 제품이 가하는 모든 하중을 견딜 수 있어야 합니다.
- 3. 고정장치:** 제품을 제자리에 고정하는 모든 고정장치는 사용 중에 제품을 안전하게 고정할 수 있을 만큼 충분한 강도를 지녀야 합니다. 자세한 정보는 고정장치 제조업체의 지침을 참고하십시오.

고정장치 인발력	35.59kN(8,000lbf)
고정장치당 전단 강도	22.2kN(5,000lbf)

4.3 추락 후: 이 장비의 추락 방지 기능이 사용되었거나 충격을 받는 경우 즉시 사용을 중단하십시오. "사용 금지"라는 태그를 명확하게 표시하십시오. 자세한 내용은 섹션 5를 참조하십시오.

4.4 자재 취급: 3M은 지시에 따라 이 제품을 자재 취급에 사용할 수 있도록 허용합니다. 현지 규정 또는 표준에는 추가 제한 사항이 있거나 자재 취급을 위한 추락 보호 장비 사용을 규제할 수 있습니다.

⚠CAUTION:
이 제품은 자재 취급에 사용하기 위해 호환 가능한 다비트와 함께 사용해야 합니다. 다비트 베이스에 자재 하중을 직접 고정하지 마십시오.

자재 하중을 고정하기 전에 운송할 준비가 되었는지 확인합니다.

자재와 사용자에게 동시에 제품을 고정하지 마십시오.

자재 취급에 사용되는 제품은 다음에 사용하기 전에 유자격자가 검사해야 합니다. 현지 규정이나 표준에 따라 인력 사용과 자재 취급 간 전환이 제한될 수 있습니다.

- 1. 다비트를 고정합니다.** 사용자 지침에 명시된 대로 다비트 베이스에 다비트를 고정합니다.
- 2. 다비트에 연결용 하위 시스템을 고정합니다.** 자세한 내용은 다비트에 대한 제조업체 지침을 참조하십시오.
- 3. 자재 하중에 구멍줄을 고정합니다.** 필요에 따라 자재 하중을 낮추거나 올립니다.

자재 취급 중량

340kg(750lb.)

5.0 검사

사용이 중단된 장비는 유자격자의 서면 확인이 있을 때까지 다시 사용할 수 없습니다.

5.1 검사 빈도: 제품은 사용자가 이용하기 전에 매번, 그리고 아래에 명시된 간격으로 사용자가 아닌 유자격자에 의해 검사받아야 합니다. 장비의 사용 빈도가 높고 조건이 더 열악하면 유자격자가 더 자주 검사해야 할 수 있습니다. 이러한 검사의 빈도는 작업장의 특정 조건에 따라 유자격자가 결정해야 합니다.

적용 가능한 표준 또는 지역	유자격자 검사의 필수 빈도
ANSI 및 OSHA	1년에 한 번
EN 표준	1년에 한 번

5.2 검사 절차: "검사 및 유지보수 로그"에 나열된 절차에 따라 이 제품을 검사하십시오. 각 검사의 문서는 이 장비의 소유자가 유지 관리해야 합니다. 검사 및 유지보수 로그는 제품 근처에 비치하거나 사용자가 쉽게 접근할 수 있어야 합니다. 제품에 다음 또는 마지막 검사 날짜를 표시하는 것이 좋습니다.

5.3 결함: 기존 결함이나 안전하지 않은 상태로 인해 제품을 다시 사용할 수 없는 경우 제품을 폐기하거나 수리를 위해 3M 또는 3M 공인 서비스 센터로 보내야 합니다.

5.4 제품 수명: 제품의 기능적 수명은 작업 환경이나 유지보수에 따라 결정됩니다. 제품이 검사 항목을 통과하는 한 사용 가능합니다.

6.0 유지보수, 보관 및 수리

유지보수가 필요하거나 유지보수가 예정된 장비에는 "사용 금지"라는 태그가 지정되어야 합니다. 이러한 장비 태그는 유지보수가 수행될 때까지 제거되지 않아야 합니다.

6.1 세척: 제품의 금속 구성 요소는 따뜻한 물과 순한 비눗물을 사용하여 주기적으로 세척합니다. 깨끗한 물로 제품을 헹구고 자연 건조시키십시오. 자세한 내용은 3M 웹사이트의 기술 안내서를 참조하십시오. <https://www.3M.com/FallProtection/Mechanical-Device-Cleaning>

6.2 수리: 3M이나 3M의 서면 승인을 받은 업체만 이 장비를 수리할 수 있습니다.

6.3 보관 및 운반: 제품을 보관하거나 운반할 경우 직사광선을 피해 서늘하고, 건조하고, 깨끗한 환경에 보관하십시오. 화학 증기가 있을 수 있는 곳은 피하십시오. 장기 보관 후에는 구성 요소를 면밀히 검사하십시오.

영구적으로 설치된 베이스는 작업 위치를 벗어나서는 안 됩니다. 보관이나 운반을 위해 베이스에서 다른 구성 요소를 제거할 수는 있지만, 베이스 자체는 그대로 유지해야 합니다.

⚠WARNING:

따뜻한 환경에서 매우 추운 환경으로 갑작스럽게 바뀌는 경우 장비 성능에 영향을 미칠 수 있습니다. 기계 장치(예: 자체 수축 장치, 윈치, 회수 장치, 클라이밍 슬리브 등)는 극도로 춥거나 더운 환경에서 사용할 수 있도록 작업 환경과 유사한 온도에 보관해야 합니다. 장비를 사용하기 전에 항상 작업 환경에서 장비의 사용 전 검사를 수행하십시오.

7.0 라벨 및 마킹

7.1 요약: "제품 라벨" 그림은 제품에 있는 라벨과 마킹을 보여줍니다. 각 라벨 및 마킹과 함께 제공되는 요약 정보는 아래를 참조하십시오.

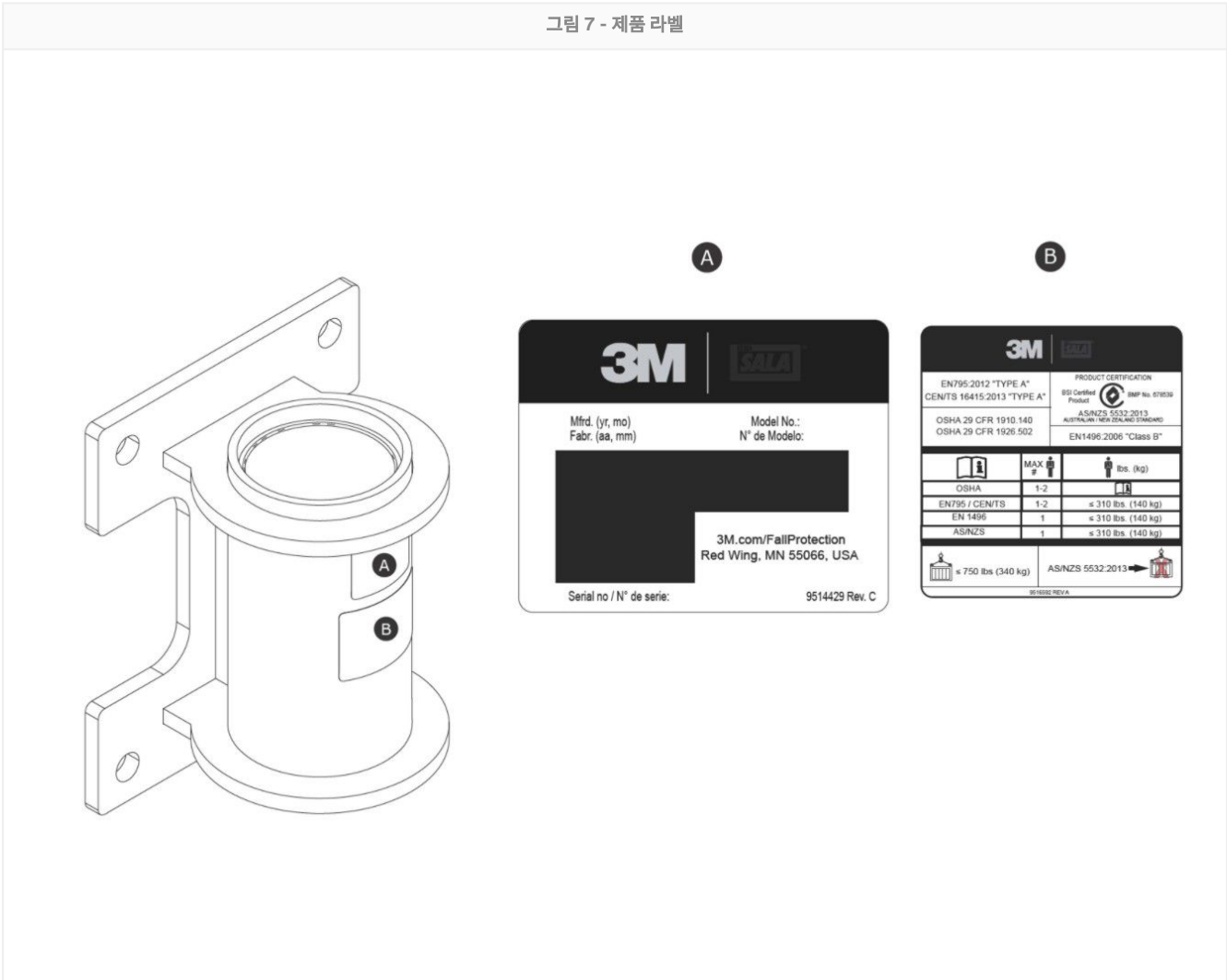
NOTICE:

라벨 이미지는 대표 이미지입니다. 자세한 정보는 각 제품 라벨을 참조하십시오.

누락되거나 손상된 라벨은 교체해야 합니다. 모든 라벨은 전문을 읽을 수 있어야 합니다.

A	제품 사양 라벨
B	ID 라벨

그림 7 - 제품 라벨



용어

정의: 이 지침에서는 다음 용어와 정의를 사용합니다.

포괄적인 용어 및 정의 목록을 보려면 다음 웹사이트를 방문하십시오. www.3m.com/FallProtection/ifu-glossary

- **허가자:** 추락 위험에 노출된 사람이 있는 위치에서 직무를 수행하도록 고용주가 지정한 사람.
- **유자격자:** 직원에게 불결하거나 유해하거나 위험한 주변 또는 작업 조건의 기준 및 예측 가능한 위험을 정의하고 이를 제거할 빠른 시정 조치를 취할 권한이 있는 사람.
- **추락 방지 시스템:** 사용자가 추락할 경우 사용자를 보호하도록 구성된 다양한 추락 보호 장비.

- **적격자:** 인정되는 학위, 수료증 또는 전문 자격을 갖춘 사람 또는 광범위한 지식, 교육 및 경험을 통해 해당 국가, 지역 및 현지 규정에서 요구하는 수준까지 추락 보호 및 구조 시스템과 관련된 문제를 해결하거나 처리하는 능력을 입증하여 자격을 갖춘 사람.
- **구조 시스템:** 사람을 위험에서 구하고 안전한 위치로 옮기도록 구성된 추락 보호 장비 모음. 자유 낙하는 허용되지 않음.
- **구조 요원:** 지원 구조를 수행하기 위해 구조 시스템을 사용하는 사람.
- **제한 시스템:** 사용자가 추락의 위험이 있는 지점까지 가지 못하도록 구성된 다양한 추락 보호 장비. 자유 낙하는 허용되지 않음.
- **사용자:** 추락 보호 시스템으로 보호받으며 활동하는 사람.
- **작업 포지셔닝 시스템:** 작업 위치에서 사용자를 지원하도록 구성된 추락 보호 장비의 모음.

검사 및 유지보수 기록

각 검사에는 이 표의 사본을 사용해야 합니다. 아래에 정보를 기록하십시오.

제조업체: 3M 추락 보호

모델 번호(일련 번호):

구매 날짜:

처음 사용 날짜:

이 제품은 사용하기 전마다 사용자가 검사해야 합니다. 또한, 사용자가 아닌 유자격자가 섹션 5에 지정된 간격으로 장비를 검사해야 합니다.

구성 요소	검사 절차	검사 결과(합격 또는 불합격)
제품(그림 2)	다비트 베이스에 손상, 변형, 부식 및 녹이 있는지 검사합니다. 시스템의 강도와 작동에 영향을 줄 수 있는 균열, 구부러짐, 움푹 들어간 부분 또는 마모가 있는지 확인합니다. 부식 여부를 검사할 때는 앵커 장치, 고정장치 또는 체결장치, 앵커 장치가 고정되는 구조도 검사해야 합니다.	
	모든 고정장치에 손상이나 부식이 있는지 검사합니다. 필요에 따라 조입니다.	
	작동 중 오작동을 일으킬 수 있는 모든 움직이는 부품에 깨진 부분, 균열, 파손 또는 마모된 부분이 있는지 검사합니다.	
라벨	모든 라벨은 전문을 읽을 수 있는 상태여야 합니다.	
추락 보호 장비	제품과 함께 사용되는 추가 추락 보호 장비는 제조업체 지침에 따라 설치하고 검사해야 합니다. 각 제품의 강도 등급이 호환 가능하고 의도한 용도로 사용하기에 충분한지 확인하십시오.	

제품 검사 요약

제품이 검사 절차를 통과하지 못하면 전체 검사가 불합격됩니다. 검사에서 불합격된 제품은 즉시 사용을 중단하십시오. 제품에 "사용 금지"라는 태그를 명확하게 지정하십시오. 자세한 내용은 섹션 5를 참조하십시오.


검사 유형:	<input type="checkbox"/> 사용자	<input type="checkbox"/> 유자격자	전체 검사 결과:	
검사자:			검사일:	
서명:			다음 검사일:	
추가 참고 사항:				

인증

본 제품은 지침 앞 표지에 명시된 국가 또는 지역 표준을 준수합니다. 인증 및 적합성은 개별 제품 모델 또는 용도로 제한될 수 있습니다.

인증 또는 적합성 요건에 대한 자세한 내용은 본 제품에 해당하는 표준 및 규정을 참조하십시오.

AS/NZS 표준에 따라 사용자는 선택, 사용, 유지보수 및 교육 요건에 대해서는 AS/NZS 1891.4를 참조해야 합니다.

<p>BSI 인증 제품 AS/NZS 5532:2013 라이선스: BMP 678539</p>	<p>BSI - Head Office Suite 1, Level 1, 54 Waterloo Road Macquarie Park, NSW, 2113 Australia</p>	
--	---	---

글로벌 제품 보증, 제한적 구제책 및 법적 책임

보증: 다음은 특정 목적에의 적합성 또는 상품성에 대한 묵시적 보증이나 조건을 포함한 모든 명시적 또는 묵시적 보증이나 조건을 대신하여 적용됩니다.

현지 법률에 별도의 규정이 없는 한, 3M 추락 보호 제품은 최초 소유자가 설치 또는 처음 사용한 날로부터 1년 동안 제조 공정 및 재료의 공장 결함에 대해 보증을 받습니다.

제한적 구제책: 3M이 서면 통지서를 접수한 후 3M은 3M이 제조 공정 또는 재료의 공장 결함으로 판단한 모든 제품을 수리하거나 교체합니다. 3M은 보증 청구에 대한 심사를 위해 제품이 해당 공장으로 반송되도록 요청할 권리를 보유합니다. 마모, 오염, 운송 중 발생한 손상, 제품의 유지보수 실패 또는 3M의 통제를 벗어난 기타 손상으로 인한 제품 손상은 이 보증에 적용되지 않습니다. 제품 상태 및 보증 방법은 3M이 단독으로 판단합니다.

본 보증은 원 구매자에게만 적용되며 3M 추락 방지 제품에 적용되는 유일한 보증입니다. 도움이 필요한 경우 해당 지역의 3M 고객 서비스 부서로 문의하십시오.

법적 책임: 3M은 현지 법률이 허용하는 한도에서, 주장된 법률 이론과 상관없이, 제품과 관련된 모든 유형의 수익 손실을 포함하되 이에 국한되지 않는 일체의 간접적, 부수적, 특수적 또는 결과적 손해에 대해 책임을 지지 않습니다.

3M™ DBI-SALA® sieninio montavimo gembinio keltuvo pagrindas

Nurodymai naudotojui

Formos numeris: 5903663, peržiūra: F

Šis gaminys yra sertifikuotas arba atitinka šiuos standartus ir taisykles. Sertifikuojimas ir atitikties gali būti taikomi tik atskiriems gaminių modeliams ar taikymo sritims. Daugiau informacijos žr. *Sertifikatai*.

- OSHA 29 CFR 1910.140, 1926.502
- LT 795:2012 (A tipas)
- CEN / TS 16415:2013 (A tipas)
- EN 1496:2006 (4.6 punktas)
- AS/NZS 5532:2013

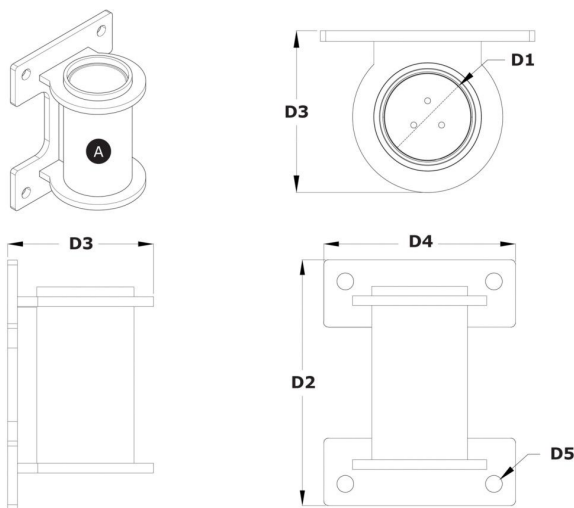
⚠WARNING:

Norėdami identifikuoti produktų kodus, žiūrėkite produkto specifikacijų lenteles. Daugiau informacijos apie produktą rasite produkto apžvalgoje.

Kai kurie komponentai gali būti atskirai nesertifikuojami ir kad jie atitiktų sertifikavimo reikalavimus, prieš tai juos reikia sumontuoti.

1 pav. Gaminio apžvalga

Modelis	Tipas	D1	D2	D3	D4	D5	Gaminio masė
8000101	A	4,0 col. (10,2 cm)	12,75 col. (32,4 cm)	7,5 col. (19,0 cm)	10,0 col. (25,4 cm)	0,88 col. (22,2 mm)	34,0 col. (15,7 kg)
8000102	A	4,0 col. (10,2 cm)	12,75 col. (32,4 cm)	7,5 col. (19,0 cm)	10,0 col. (25,4 cm)	0,88 col. (22,2 mm)	34,0 col. (15,7 kg)



Saugos informacija

Prieš naudodami šį gaminį, perskaitykite, supraskite ir laikykitės visos saugos informacijos, pateiktos šiose instrukcijose. TO NEPADARIUS GALIMA SUNKIAI SUSIŽALOTI ARBA ŽŪTI.

Šios instrukcijos turi būti pateiktos įrangos naudotojui. Išsaugokite šias instrukcijas ateičiai.

Saugos informacija

Forma: 5908277, peržiūra: B

Numatytoji paskirtis

Šis gaminys naudojamas kaip visapūsės apsaugos nuo kritimo sistemos dalis.

3M nepatvirtino naudojimo jokiais kitais tikslais, įskaitant, bet neapsiribojant, nepatvirtintu medžiagų tvarkymu, laisvalaikio ar su sportu susijusia veikla ar kita veikla, neaprašyta šiose instrukcijose, ir tai gali sukelti sunkius sužalojimus ar mirtį.

Šiuo gaminiu gali naudotis tik išmokyti darbuotojai darbo reikmėms.

Įspėjimas

Šis gaminys naudojamas kaip visapūsės apsaugos nuo kritimo sistemos dalis.

Visi naudotojai turi būti visiškai išmokyti, kaip saugiai sumontuoti ir naudoti visapūsę apsaugos nuo kritimo sistemą. Netinkamai naudojantis šiuo gaminiu galima sunkiai susižaloti arba žūti. Kaip tinkamai pasirinkti, naudoti, montuoti, prižiūrėti ir remontuoti, skaitykite visuose naudojimo vadovuose ir gamintojo rekomendacijose. Norėdami gauti daugiau informacijos, kreipkitės į vadovą arba 3M techninės priežiūros tarnybą.

- **Kaip sumažinti riziką, kuri gali kilti dirbant su patekimo į ribotas erdves ir gelbėjimo sistema, kurios neišvengus galima sunkiai susižaloti arba žūti:**
 - Apžiūrėkite gaminį prieš kiekvieną naudojimą ir po bet kokio kritimo, laikydamiesi šiose instrukcijose nurodytų procedūrų.
 - Jeigu patikrinus gaminį aptinkama nesaugi būklė ar defektų, nedelsdami nustokite eksploatuoti ir pažymėkite jį užrašu „NENAUDOTI“. Sunaikinkite arba suremontuokite gaminį, kaip reikalaujama šiose instrukcijose.
 - Turi būti tuoj pat nustota naudoti bet kokį gaminį, kuris buvo paveiktas kritimo stabdymo arba smūgio jėgos. Sunaikinkite arba suremontuokite gaminį, kaip reikalaujama šiose instrukcijose.
 - Užtikrinkite, kad apsaugos nuo kritimo sistemos, surinktos iš skirtingų gamintojų komponentų, būtų suderinamos ir atitiktų visus taikomus apsaugos nuo kritimo reglamentus, standartus ar reikalavimus. Prieš naudodamiesi šiomis sistemomis visada pasitarkite su kompetentingu asmeniu.
 - Gaminys turi būti montuojamas, tik kaip aprašyta jo instrukcijose. Montavimą ir naudojimą ne pagal šių instrukcijų taikymo sritį turi raštu patvirtinti 3M.
 - Apsaugos nuo kritimo iš aukščio posistemius junkite tik prie jiems skirtų gaminio inkaravimo jungiamųjų taškų.
 - Prieš montuodami įsitikinkite, kad montavimo metodai ir gaminys netrukdyt elektros linijoms, dujų linijoms ar kitoms svarbioms medžiagoms ar sistemoms.
 - Užtikrinkite, kad gaminys būtų tinkamai sukonfigūruotas ir sumontuotas saugiai veikti, kaip aprašyta šiose instrukcijose.
 - Žiūrėkite, kad gelbėjimo virvė nesusisuktų, nebūtų surišta, sumazgyta ar atsilaisvinusi.
 - Neviršykite šiose instrukcijose nurodyto leidžiamo naudotojų skaičiaus.
 - Montuodami, naudodami ar judindami gaminį būkite atsargūs, nes judančios dalys gali sukurti suspaudimo vietas.
 - Prireikus reikia laikytis užrakinimo / žymėjimo procedūrų.
 - Nesijunkite prie sistemos, kol ji pervežama arba montuojama.
- **Kaip sumažinti riziką, galinčią kilti dirbant dideliame aukštyje, kurios neišvengus galima sunkiai susižaloti arba žūti:**
 - Jūsų sveikata ir fizinė būklė turi leisti saugiai dirbti aukštyje ir atlaikyti visas jėgas, susijusias su kritimo stabdymo įvykiu. Jeigu turite klausimų dėl savo galėjimo naudoti šią įrangą, pasitarkite su gydytoju.
 - Niekada neviršykite savo apsaugos nuo kritimo įrangos leidžiamos laikomosios galios.
 - Niekada neviršykite savo apsaugos nuo kritimo įrangos didžiausio laisvojo kritimo atstumo.
 - Nenaudokite apsaugos nuo kritimo įrangos, kuri nepereina patikros, taip pat jei kyla abejonių dėl įrangos naudojimo ar tinkamumo. Visais klausimais kreipkitės į 3M klientų aptarnavimo tarnybą.
 - Kai kurie posistemų ir komponentų deriniai gali mažinti šios įrangos funkcionalumą. Naudokite tik suderinamas jungtis. Prieš naudodami šią įrangą kartu su kitais komponentais ar posistemėmis, nei aprašyta šiose instrukcijose, kreipkitės į 3M klientų aptarnavimo tarnybą.
 - Dirbdami šalia judančių mašinų, esant elektros pavojui, ribinėms temperatūroms, cheminiam pavojui, esant sprogių ar nuodingų dujų, kai yra aštrių briaunų, abrazyvinių paviršių, po kabančiomis medžiagomis, kurios gali nukristi ant jūsų ar ant apsaugos nuo kritimo įrangos, būkite ypač atsargūs.
 - Užtikrinkite, kad naudojant gaminį būtų atsižvelgiama į jūsų darbo aplinkoje esančius pavojus.
 - Dirbdami dideliame aukštyje užtikrinkite, kad būtų pakankamas laisvojo kritimo atstumas.
 - Niekada nemodifikuokite ir nekeiskite savo apsaugos nuo kritimo įrangos. 3M įrangą gali remontuoti tik 3M arba 3M raštu įgalioti asmenys.
 - Prieš naudodami apsaugos nuo kritimo įrangą užtikrinkite, kad būtų parengtas rašytinis gelbėjimo planas ir įvykus kritimo incidentui būtų galima nedelsiant atlikti gelbėjimo darbus.
 - Įvykus kritimo incidentui nedelsdami pasirūpinkite medicinine pagalba nukritusiam darbuotojui.
 - Kritimo stabdymo darbams naudokite tik viso kūno diržus. Nenaudokite kūno diržo.
 - Sumažinti siūbuojamojo kritimo tikimybę galite dirbdami kiek įmanoma tiesiai po tvirtinimo tašku.
 - Mokant dirbti su šiuo gaminiu būtina naudoti antrinę visapūsės apsaugos nuo kritimo sistemą. Besimokančiam asmeniui neturi kilti nenumatyto kritimo pavojus.
 - Montuodami, naudodami ar tikrindami gaminį visuomet naudokite atitinkamas asmenines apsaugos priemones.
 - Niekada nedirbkite po pakabintu krovinio ar darbuotoju.
 - Visada išlaikykite 100 % sagtį.

Gaminio apžvalga

Visada įsitinkite, kad vadovaujate naujausio leidimo 3M instrukcijų vadovu. Norėdami gauti naujausius instrukcijų vadovus, apsilankykite adresu www.3m.com/userinstructions arba susisiekite su 3M klientų aptarnavimo tarnyba.

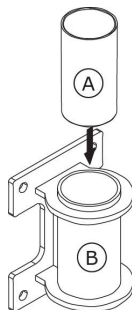
Prieš įrangą pradėdami naudoti, ID etiketėje nurodytus gaminio identifikavimo duomenis įrašykite tikrinimo ir techninės priežiūros žurnale ant šio vadovo nugarėlės.

1 pav. pavaizduoti tiekiami produktų modeliai. Keltuvo pagrindai tarnauja kaip keltuvo sistemos dalis, padedanti ją pritvirtinti prie žemės. Keltuvas yra pritvirtintas prie pagrindo ir veikia kaip reguliuojamas, kilnojamas ankeravimo taškas naudotojui. Daugiau informacijos apie sistemos programas rasite suderinamo keltuvo arba keltuvo sistemos gamintojo instrukcijose.

2 paveiksle pateikiami pagrindiniai galimų gaminių modelių komponentai. Geminio keltuvo pagrindas sudarytas iš dviejų dalių: movos (A) ir geminio keltuvo įvorės (B). Įvorė leidžia pritvirtintam geminiam keltuvui laisvai sukis geminio keltuvo movos viduje. Įvorė apima pritvirtintą montavimo plokštę, skirtą geminio keltuvo pagrindui prie konstrukcijos pritvirtinti.

Kiekvienas gaminio modelis turi savo specifikacijas, kaip nurodyta 1 paveiksle. Daugiau informacijos žr. produktų specifikacijų lentelėje.

2 pav. Komponentai



Gaminio specifikacijų lentelė

Sistemos specifikacijos

Maksimalus naudotojų skaičius:	Daugiau informacijos apie sistemos apkrovos pajėgumą rasite suderinamų keltuvų modelių gamintojo instrukcijose.
Standartai:	Kiekvienas gaminio modelis yra sertifikuotas arba atitinka taikomus standartus ir taisykles, išvardytus 1 paveiksle. Jei nė vienas iš jų nenurodytas, taikomi visi viršelyje išvardyti standartai ir taisyklės.

Komponentų specifikacijos

Pavyzdys, 2 pav.	Komponentas	Medžiagos
A	Mova	Didelio tankio polietilenas
B	Geminio keltuvo įvorė	8000101: Cinkuotas anglingasis plienas
		8000102: Nerūdijantysis plienas

1.0 Gaminio naudojimas

1.1 Paskirtis: keltuvų sistemos veikia kaip mobilios apsaugos nuo kritimo sistemų tvirtinimo konstrukcijos. Blokas ir komponentai skirsis priklausomai nuo sistemos. Daugiau informacijos apie sistemų paskirtis rasite „Gaminio apžvalgoje“ ir visuose skyriuose apie montavimą ar naudojimą.

1.2 Prižiūra. Šios įrangos naudojimą privalo prižiūrėti kompetentingas asmuo.. Šios įrangos naudojimą privalo prižiūrėti kompetentingas asmuo. Kvalifikuotas asmuo privalo užtikrinti, kad konstrukcijos įrengimas atitiktų šalyje galiojančias normas. Tvirtinimo detales ir keltuvo pagrindo įrengimą taip pat turi patvirtinti kvalifikuotas asmuo.

1.3 Perpardavimas ir platinimas: Jeigu šis gaminys perparduodamas ne toje šalyje, kuriai yra skirtas, perpardavėjas turi pateikti šias instrukcijas tos šalies, kurioje gaminys bus naudojamas, kalba.

1.4 Mokymas. Šią įrangą turi įrengti ir naudoti asmenys, kurie yra parengti ja tinkamai naudotis. Šios instrukcijos, remiantis nacionaliniais, regiono arba vietos standartais, yra darbuotojų mokymo programos dalis. Šios įrangos naudotojai ir įrengėjai turi užtikrinti, kad yra susipažinę su šiomis instrukcijomis, išmokyti tinkamai šią įrangą prižiūrėti ir naudoti bei žinoti jos naudojimo charakteristikas, taikymo apribojimus ir netinkamo naudojimo pasekmes.

1.5 Gelbėjimo planas. Naudodamas šią įrangą ir jungiamąsias posistemas, darbdavys privalo turėti rašytinį gelbėjimo planą ir paruoštas priemones jam įgyvendinti bei supažindinti su šiuo planu naudotojus, įgaliotuosius asmenis ir gelbėtojus. Rekomenduojama turėti vietoje esančią parengtą gelbėjimo grupę. Grupės nariams turi būti suteikta įranga ir nurodyta sėkmingo gelbėjimo metodika. Turi būti vykdomi reguliarūs mokymai, kad gelbėtojai išlaikytų įgūdžius. Gelbėtojams turi būti pateiktos šios instrukcijos. Gelbėjimo proceso metu su gelbėjamu asmeniu visada turi būti palaikomas vizualinis kontaktas arba ryšys.

2.0 Sistemos keliami reikalavimai

2.1 Ankeravimo vieta. Šį produktą tvirtinanti ankeravimo konstrukcija turi atlaikyti visas reikalingas apkrovas, kurias leidžia šio produkto apsaugos nuo kritimo iš aukščio sistema. Norėdami gauti daugiau informacijos, žr. 4 skyrių.

2.2 Laikomoji galia. Visos apsaugos nuo kritimo iš aukščio sistemos naudotojo pajėgumą riboja jos mažiausios vardinės maksimalios laikomosios galios komponentas. Pavyzdžiui, jei jūsų jungiamojo posistemio laikomoji galia yra mažesnė nei diržų, turite laikytis jungiamojo posistemio laikomosios galios reikalavimų. Norėdami sužinoti kiekvieno sistemos komponento laikomosios galios reikalavimus, žr. jų gamintojų instrukcijas.

2.3 Pavojaingas aplinkos poveikis. Naudojant šią įrangą ten, kur yra pavojingo aplinkos poveikio tikimybė, gali tekti imtis papildomų atsargumo priemonių, kad būtų išvengta traumų ir įrangos sugadinimo. Tokie pavojai gali būti šie (ir kiti): didelis karštis, cheminės medžiagos, korozinė aplinka, aukštos įtampos elektros linijos, sprogosios arba toksiškos dujos, judančios mašinos, aštrūs kraštai ir virš galvos esančios medžiagos, kurios gali nukristi ir pataikyti į naudotoją arba įrangą. Norėdami gauti išsamesnį paaiškinimą, kreipkitės į 3M klientų aptarnavimo tarnybą.

2.4 Pavojai gelbėjimo virvei. Pasirūpinkite, kad gelbėjimo virvė būtų apsaugota nuo bet kokių pavojų, įskaitant (bet neapsiribojant): įsipainiojimą į naudotojus, kitus darbuotojus, judančias mašinas, kitus aplinkinius objektus arba smūgį iš viršuje esančių objektų, kurie gali nukristi ant gelbėjimo virvės ar naudotojų.

2.5 Komponentų suderinamumas. 3M įranga skirta naudoti su 3M įranga. Naudojimą su ne 3M įranga privalo patvirtinti kompetentingas asmuo. Naudojant pakaitinę nepatvirtintą įrangą, gali nukentėti įrangos suderinamumas ir apsaugos nuo kritimo sistemos sauga bei patikimumas. Prieš naudodami, perskaitykite visas su visa įranga susijusias instrukcijas ir įspėjimus ir jų laikykitės.

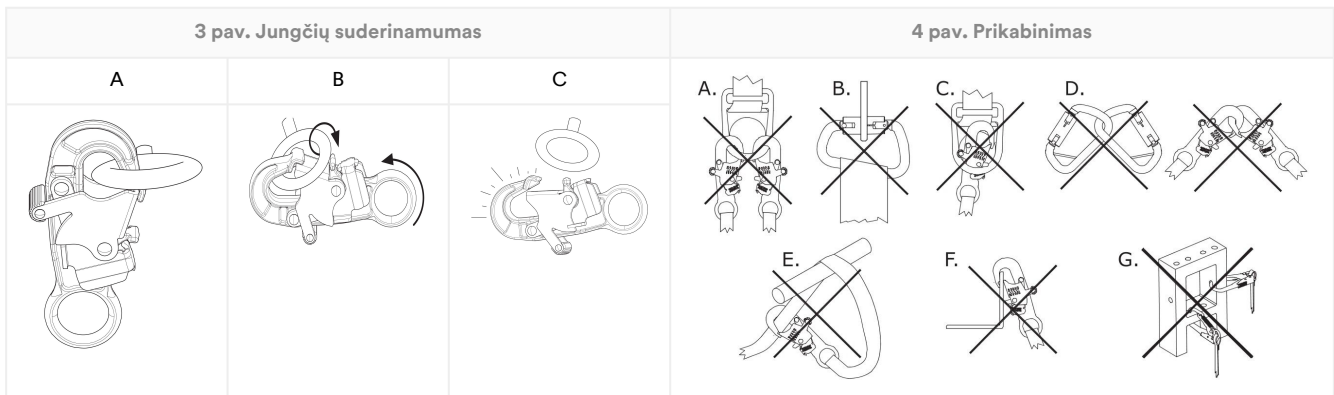
2.6 Jungčių suderinamumas. Jungtys su jungiamaisiais elementais yra suderinamos, kai dėl bet kurio komponento dydžio ir formos jungtis neatsidaro netyčia, neatsižvelgiant į orientaciją. Jungtys turi atitikti taikomus standartus. Naudojamos jungtys turi būti visiškai uždarytos ir užfiksuotos.

3M jungtys (karabininiai kabliai ir karabinai) skirtos naudoti tik taip, kaip nurodyta kiekviename naudojimo vadove. Įsitikinkite, kad jungtys yra suderinamos su tais sistemos komponentais, prie kurių jos yra prikabintos. Nenaudokite nesuderinamos įrangos. Naudojant nesuderinamus komponentus, jungtis gali netyčia atsikabinti. Žr. paveikslėlį. Jei jungiamasis elementas, prie kurio tvirtinama jungtis, yra per mažas arba neįprastos formos, jis gali spausti jungties (A) fiksatorių. Dėl šios jėgos fiksatorius gali atsidaryti (B), atkabindamas jungtį nuo jungiamojo elemento (C).

2.7 Sujungimas. Visos jungtys turi būti suderinamo dydžio, formos ir stiprumo. Netinkamų jungčių pavyzdžiai parodyti paveikslėlyje. Netvirtinkite Karabininių kablių ir karabinų.

1. Prie D žiedo, prie kurio jau pritvirtinta kita jungtis.
2. Taip, kad fiksatorius būtų veikiamas apkrovos. Karabininių kablių su didele anga negalima jungti prie D formos žiedų ar kitų jungiamųjų elementų, nebent karabininio kablo fiksatoriaus stiprumas yra 16 kN (3 600 lbf) ar didesnis.

3. Kai sukabinimas netinkamas, nes nėra suderinami jungties ar jungiamojo elemento dydis arba forma, o neapžiūrėjus atrodo, kad sukabinta tinkamai.
4. Vienos su kita.
5. Tiesiai į apraišų tinklą, lyno kojų medžiagą arba atotampų medžiagą, nebent tokia jungtis būtų aiškiai leidžiama gamintojo instrukcijose.
6. Prie bet kokio objekto, dėl kurio dydžio ar formos jungtis negalėtų visiškai užsidaryti ir užsifikuoti, arba dėl kurių jungtis galėtų išsivynioti.
7. Tokiu būdu, kai apkrovos veikiama jungtis negali užimti tinkamos padėties.



3.0. Įrengimas

3.1 Apžvalga: Keltuvo sistemos įrengimas gali būti ilga kelių etapų procedūra. Efektyvus darbo vietos ir įrangos planavimas ir supratimas labai padeda, kad šis procesas vyktų kuo sklandžiau.

3.2 Planavimas: prieš pradėdami dirbti suplanuokite apsaugos nuo kritimo iš aukščio sistemą. Atsižvelkite į visus veiksnius, kurie gali lemti saugą prieš kritimą, jo metu ir po to. Atsižvelkite į visus šiose instrukcijose nurodytus reikalavimus ir apribojimus.

1. **Aštrios briaunos:** Nedirbkite ten, kur sistemos komponentai gali liestis arba trintis į neuždengtas aštrias briaunas ir šiurkščius paviršius. visas aštrias briaunas ir šiurkščius paviršius reikia padengti apsaugine medžiaga.
2. **Suderinamumas:** įrengiant sistemą svarbu naudoti suderinamus komponentus. Kiekvienas produkto modelis suderinamas su konkrečiu produktų modelių ar konstrukcijų rinkiniu.

Prie gembinio keltuvo pagrindo taip pat galima montuoti bet kokius gembinio keltuvo stiebo ilgintuvus, suderinamus su išvardytais gembiniais keltuvais.

Suderinami gembinių keltuvų modeliai	Gembinio keltuvo naudojimo instrukcija
8000107	5908417
8000108	5908417
8000130	5908364
8000131	5908364

3.3 Keltuvo pagrindo montavimas: sumontuokite keltuvo pagrindą pagal instrukcijas, pateiktas jūsų gaminio modeliui.

Prieš montuojant keltuvo pagrindą, ankeravimo konstrukcijos paviršius turi būti išvalytas nuo bet kokių šiukšlių.

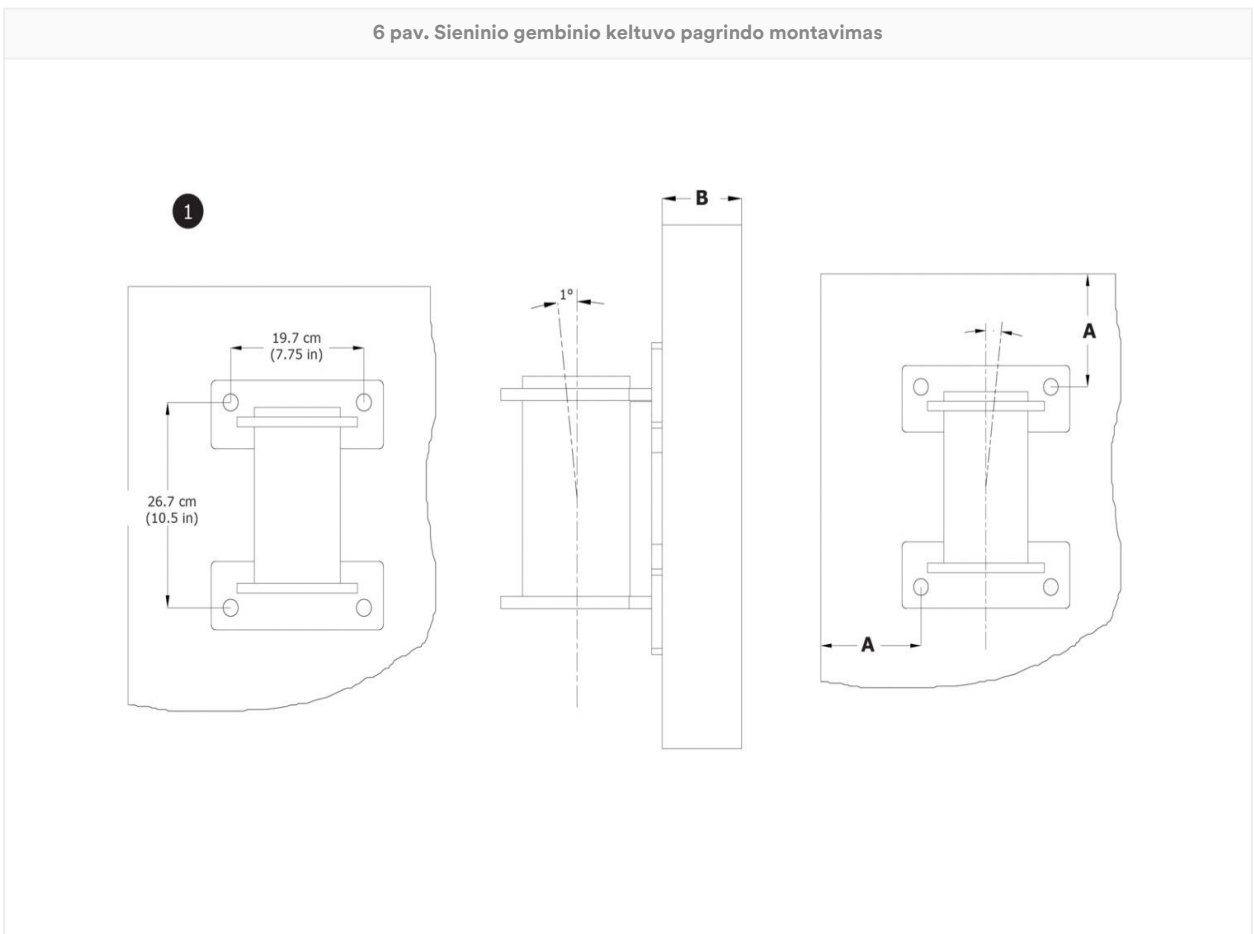
A. Sieninio montavimo gembinio keltuvo pagrindas: gembinio keltuvo pagrindą būtina prieš naudojant paruošti.

1. **Paruoškite vietą.** Norėdami sumontuoti gembinio keltuvo pagrindą, pasirinkite tinkamą montavimo paviršių, tada pasirinkite reikiamą vietą pagrindui montuoti. Turi būti pakankamas atitraukimo atstumas nuo krašto (A) ir medžiagos storis (B), kurie turi atitikti konstrukcijai ir sistemai taikomus stiprio reikalavimus. Vadovaudamiesi tvirtiklio gamintojo rekomenduojamu angų skersmeniu ir dydžiu, pažymėkite ir išgręžkite visas montavimo angas.

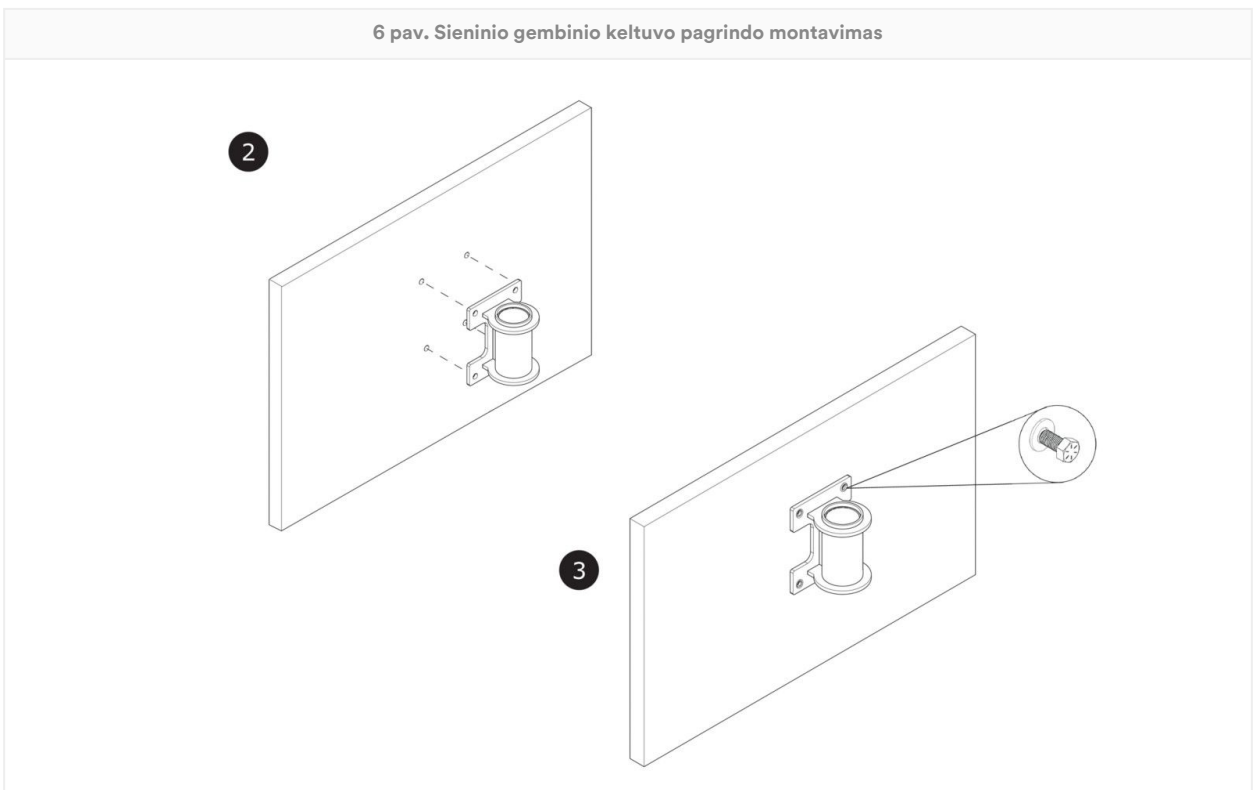
Gembinio keltuvo pagrindą būtina sumontuoti ant lygaus, vertikalaus paviršiaus.

2. **Keltuvo pagrindą priglauskite reikiamoje vietoje.** Montavimo plokštės angas sulygiuokite su išgręžtomis angomis. Gembinio keltuvo pagrindas turi būti tokioje padėtyje, kad nuo vertikalės jis nebūtų nukrypęs daugiau nei vienu laipsniu.
3. **Pritvirtinkite gembinio keltuvo pagrindą.** Gembinio keltuvo pagrindą pritvirtinkite pasirinktais tvirtikliais, vadovaudamiesi tvirtiklio gamintojo instrukcijose pateiktais nurodymais.

6 pav. Sieninio gembinio keltuvo pagrindo montavimas



6 pav. Sieninio gembinio keltuvo pagrindo montavimas



3.4 Keltuvo tvirtinimas: sumontavus keltuvo pagrindą, naudotojas gali pritvirtinti keltuvo strėlę arba stiebą prie pagrindo. Keltuvai turi būti pritvirtinti prie tvirtinimo statramsčio arba keltuvo pagrindo įvorės viduje, kaip taikoma jūsų naudojamam keltuvo pagrindui. Patikrinkite, ar keltuvai yra saugūs ir ar tinkamai naudojami visi kreiptuvai ar fiksavimo kaiščiai. Daugiau informacijos rasite keltuvo ar keltuvo gamintojo instrukcijose.

4.0. Naudojimas

4.1 Kiekvieną kartą prieš naudojant: patikrinkite, ar jūsų darbo sritis ir apsaugos nuo kritimo sistema atitinka visus šiose instrukcijose apibrėžtus kriterijus. Patikrinkite, ar yra parengtas oficialus gelbėjimo planas. Tikrinkite produktą pagal „Naudotojo“ patikros taškus, nurodytus „Tikrinimo ir techninės priežiūros žurnale“. Jei patikrinus paaiškėja, kad gaminys nesaugus ar sugedęs arba jei kyla abejonių dėl jo saugaus naudojimo, nedelsdami nutraukite jo eksploatavimą. Gaminį aiškiai pažymėkite žodžiu „NENAUDOTI“. Norėdami gauti daugiau informacijos, žr. 5 skyrių.

4.2 Ankeravimo vieta: Be produkto keliamosios galios, bet kuri apsaugos nuo kritimo iš aukščio sistema turi atsižvelgti į bet kokių laikančiųjų konstrukcijų ar komponentų stiprius.

1. **Ankeravimo konstrukcija:** šio produkto ankeravimo konstrukcija turi atlaikyti reikalingas apkrovas, kurias leidžia šio produkto apsaugos nuo kritimo iš aukščio sistema.

Momentinė apkrova	136 400 col.-svar. (15,41 kN*m)
-------------------	---------------------------------

2. **Ankeravimo jungčių taškai:** su produktu naudojami ankeravimo jungčių taškai turi atlaikyti visas produkto taikomas apkrovas.
3. **Tvirtinimo elementai:** visi tvirtinimo elementai, pritvirtinantys gaminį vietoje, turi būti pakankamai tvirti, kad gaminys būtų apsaugotas naudojimo metu. daugiau informacijos pateikta tvirtinimo elementų gamintojo instrukcijoje.

Tvirtiklio atsparumas ištraukimui	8 000 svar. jėga (35,59 kN)
Vieno tvirtiklio atsparumas šlyčiai	5 000 svar. jėga (22,2 kN)

4.3 Po kritimo: jei ši įranga sustabdo kritimą iš aukščio arba patiria smūgio jėgą, nedelsdami nustokite ją eksploatuoti. Ją aiškiai pažymėkite žodžiu „NENAUDOTI“. Norėdami gauti daugiau informacijos, žr. 5 skyrių.

4.4 Medžiagų tvarkymas. 3M leidžia naudoti šį gaminį medžiagų tvarkymui, kaip nurodyta. Vietiniai teisės aktai ar standartai gali taikyti papildomų apribojimų arba gali reglamentuoti apsaugos nuo kritimo įrangos naudojimą tvarkant medžiagas.

⚠CAUTION:

Kai šis gaminys naudojamas medžiagoms kelti, jį būtina naudoti su suderinamu gembiniu keltuviu. Medžiagos krovinio niekada netvirtinkite tiesiogiai prie gembinio keltuvo pagrindo.

Prieš pritvirtindami medžiagos krovinį, patikrinkite, ar jis paruoštas transportavimui.

Niekada netvirtinkite šio gaminio prie medžiagų ir naudotojų vienu metu.

Gaminį, naudojamą medžiagoms tvarkyti, prieš kitą naudojimą turi patikrinti kompetentingas asmuo. Vietiniai teisės aktai ar standartai gali apriboti perėjimą nuo personalo naudojimo prie medžiagų tvarkymo ir atvirkščiai.

1. **Pritvirtinkite gembinį keltuvaž.** Gembinį keltuvaž pritvirtinkite prie gembinio keltuvaž pagrindo vadovaudamiesi jo naudojimo instrukcijose pateiktais reikalavimais.
2. **Prie gembinio keltuvaž pritvirtinkite jungiamąjį posistemį.** Daugiau informacijos rasite gembinio keltuvaž gamintojo instrukcijose.
3. **Prie medžiagos krovinio pritvirtinkite gelbėjimo virvę.** Prireikus medžiagos krovinį nuleiskite arba pakelkite.

Medžiagų keliamoji galia

750 svar. (340 kg)

5.0. Tikrinimas

Nustojus eksploatuoti įrangą, jos negalima pradėti eksploatuoti tol, kol kompetentingas asmuo raštu nepatvirtins, kad ją vėl galima eksploatuoti.

5.1 Tikrinimo dažnis: naudotojas gaminį turi tikrinti prieš kiekvieną naudojimą, taip pat toliau nurodytais intervalais – kompetentingas asmuo, kuris nėra naudotojas. Dėl dažnesnio įrangos naudojimo ir sudėtingų sąlygų kompetentingiems asmenims įrangą gali tekti tikrinti dažniau. Tokių patikrinimų dažnumą turėtų nustatyti kompetentingas asmuo, atsižvelgdamas į konkrečias darbo vietas sąlygas.

Taikomas standartas arba regionas	Privalomas kompetentingų asmenų atliekamų patikrinimų dažnumas
ANSI ir OSHA	Kartą per metus
EN standartai	Kartą per metus
AS / NZS	Kartą per metus

5.2 Patikros procedūros: patikrinkite šį gaminį pagal procedūras, išvardytas tikrinimo ir techninės priežiūros žurnale. Kiekvieno tikrinimo dokumentus turi saugoti šios įrangos savininkas. Tikrinimo ir techninės priežiūros žurnalas turi būti šalia gaminio arba kitaip lengvai pasiekiamas naudotojams. Rekomenduojama ant gaminio pažymėti kito arba paskutinio tikrinimo datą.

5.3 Defektai: jei gaminio negalima grąžinti eksploatuoti dėl esamo defekto arba nesaugios būklės, gaminį reikia sunaikinti arba nusiųsti 3M arba 3M įgaliotam techninės priežiūros centrui remontuoti.

5.4 Gaminio tarnavimo trukmė: gaminio tarnavimo trukmė priklauso nuo darbo sąlygų ir techninės priežiūros. Jeigu gaminys atitinka patikros kriterijus, juo naudotis galima.

6.0. Techninė priežiūra, laikymas, taisymas

Įranga, kuriai reikia techninės priežiūros arba kurios techninę priežiūrą planuojama atlikti, turi būti pažymėta užrašu „NENAUDOTI“. Šių įrangos žymenų negalima nuimti, kol neatlikta techninė priežiūra.

6.1 Valymas: periodiškai valykite gaminio metalinius komponentus šiltu vandeniu ir nestipriu muilo tirpalu. Praskalaukite gaminį švariu vandeniu, tada leiskite jam išdžiūti ore. Jei reikia daugiau informacijos, žr. techninį biuletinį mūsų svetainėje: <https://www.3M.com/FallProtection/Mechanical-Device-Cleaning>

6.2 Taisymas: šią įrangą gali taisyti tik „3M“ arba raštu įgaliotos šalys.

6.3 Laikymas ir transportavimas: Gaminį laikykite ir transportuokite vėsioje, sausoje ir švarioje aplinkoje, kur nėra tiesioginės saulės šviesos. Venkite vietų, kuriose galėtų būti cheminių medžiagų garų. Po ilgo nenaudojimo atidžiai patikrinkite komponentus.

Pagrindai, kurie yra nuolat sumontuoti, neturėtų palikti darbo vietas. Kiti komponentai gali būti atjungti nuo pagrindo, kai reikia juos sandėliuoti ar transportuoti, tačiau pagrindas turi išlikti.

⚠WARNING:

Staigus perėjimas iš šiltos į itin šaltą aplinką ir atvirkščiai gali turėti įtakos įrangos veikimui. Mechaniniai įtaisai (pvz., savaime atsitraukiantys įtaisai, suktuvai, ištraukimo įtaisai, laipiojimo movos ir t. t.) turėtų būti pritaikyti naudoti esant dideliame šalčiui ar karščiui, laikant juos panašioje į darbo aplinką temperatūroje. Prieš naudodami savo įrangą, visada atlikite jos pirminį patikrinimą jos darbo aplinkoje.

7.0. Etiketės ir ženklai

7.1 Santrauka: paveikslėlyje „Produktų etiketės“ pavaizduotos produkto etiketės ir ženklimas. Toliau pateikiama kiekvienoje etiketėje ir ženklinimo elemente pateikiamos informacijos santrauka.

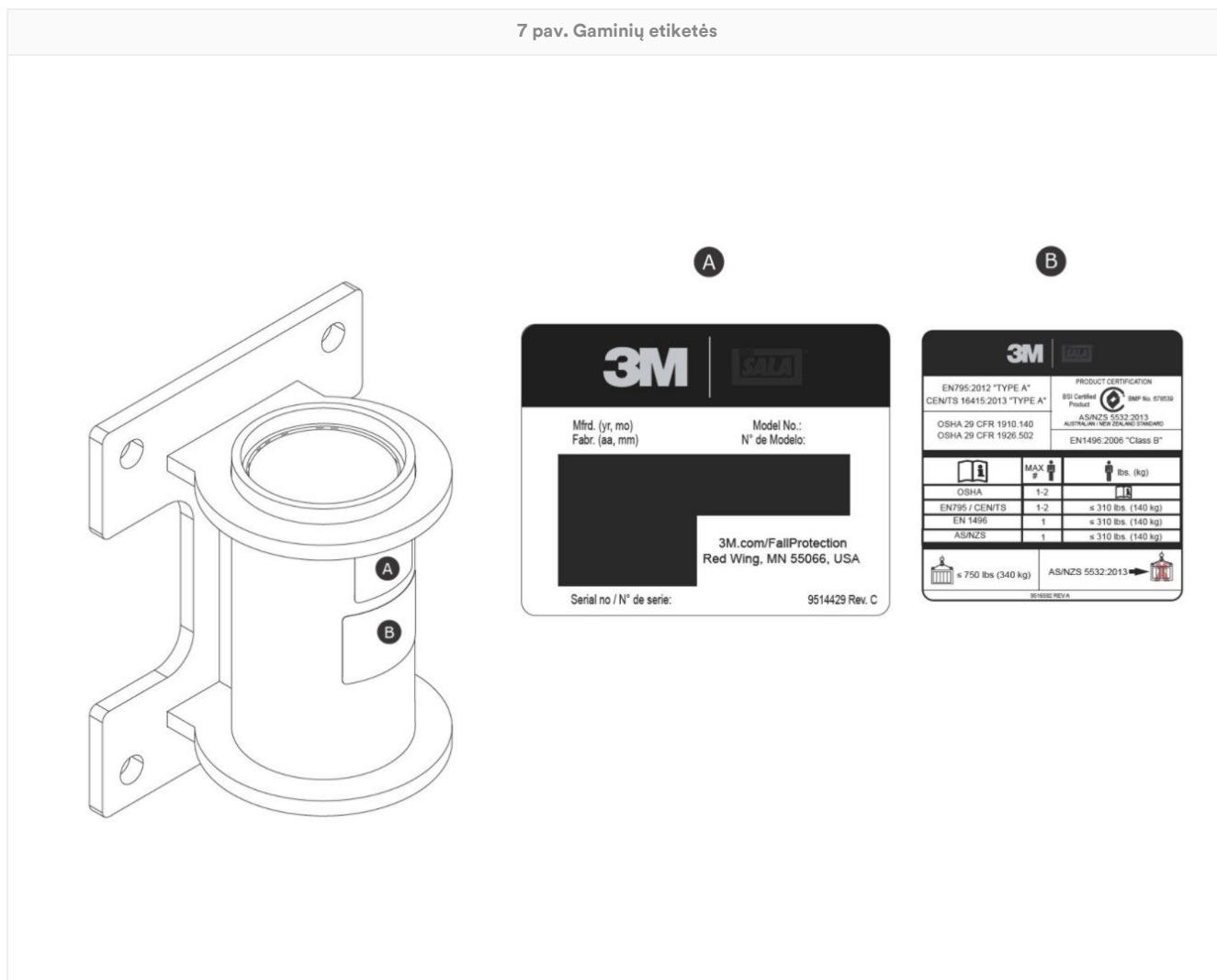
NOTICE:

Siekama, kad etikečių vaizdai būtų aiškūs. Konkrečios informacijos ieškokite gaminio etiketėse.

Trūkstamas arba pažeistas etiketes reikia pakeisti. Visos etiketės turi būti visiškai įskaitomos.

A	Gaminio specifikacijų etiketė
B	ID etiketė

7 pav. Gaminų etiketės



Terminų žodynas

Apibrėžtys. Šioje instrukcijoje vartojami toliau nurodyti terminai ir apibrėžtys.

Išsamų terminų ir apibrėžčių sąrašą rasite apsilankę mūsų svetainėje: www.3m.com/FallProtection/ifu-glossary

- **Ilgaliotasis asmuo:** Tai asmuo, darbdavio paskirtas eiti pareigas vietoje, kurioje asmenims kyla kritimo pavojus.
- **Kompetentingas asmuo:** Asmuo, gebantis nustatyti esamus bei numatomus pavojus aplinkoje arba darbo sąlygas, kurios yra antisanitarinės, kenksmingos ar pavojingos darbuotojams, ir turintis leidimą nedelsiant imtis taisomųjų priemonių jiems pašalinti.

- **Kritimo sustabdymo sistema:** apsaugos nuo kritimo įrangos rinkinys, sukonfigūruotas apsaugoti naudotoją kritimo atveju.
- **Kvalifikuotas asmuo:** asmuo, turintis pripažintą laipsnį, pažymėjimą arba profesinį statusą arba turėdamas didelę žinių, mokymo ir darbo patirtį sėkmingai įrodęs, kad gali išspręsti problemas, susijusias su apsaugos nuo kritimo ir gelbėjimo sistemomis, tiek, kiek to reikalauja taikomi nacionalinio, regioninio ir vietos lygmens įstatymai.
- **Gelbėjimo sistema:** Apsaugos nuo kritimo įrangos, skirtos asmeniui patraukti nuo pavojaus vietos į saugią vietą, rinkinys. Neleidžiama laisvai kristi.
- **Gelbėtojas:** gelbėjimo sistemą atlikdamas pagalbinį gelbėjimą naudojantis asmuo.
- **Sulaikymo sistema:** Apsaugos nuo kritimo įranga, sukonfigūruota neleisti naudotojui pasiekti pavojaus zonos. Neleidžiama laisvai kristi.
- **Naudotojas:** asmuo, kuris užsiima veikla naudodamas apsaugos nuo kritimo sistemą.
- **Darbo padėties nustatymo sistema:** apsaugos nuo kritimo įrangos rinkinys, sukonfigūruotas taip, kad palaikytų naudotoją darbo padėtyje.

Tikrinimo ir techninės priežiūros žurnalas

Atliekant kiekvieną patikrinimą reikia naudoti šios lentelės kopiją. Informaciją įrašykite toliau.

Gamintojas: „3M Fall Protection“

Modelio numeris (serijos numeris):

Pirkimo data:

Naudojimo pradžios data:

Naudotojas turi patikrinti gaminį prieš kiekvieną naudojimą. Be to, šią įrangą 5 skirsnyje nurodytais intervalais privalo patikrinti kompetentingas asmuo, kuris nėra naudotojas.

Komponentas	Tikrinimo procedūra	Tikrinimo rezultatas (teigiamas arba neigiamas)
Gaminys (2 pav.)	Paatrinkite, ar keltuvo pagrinde nėra pažeidimų, deformacijų, korozijos ir rūdžių. Ieškokite įtrūkimų, lenkimų, įlenkimų ar susidėvėjimo, kurie galėtų turėti įtakos sistemos stiprumui ir veikimui. Tikrindami, ar nėra korozijos, taip pat turėtumėte patikrinti ankeravimo įtaisą, jo tvirtinimo elementus ar montavimo elementus ir konstrukciją, prie kurios pritvirtintas ankeravimo įtaisas.	
	Patrinkite, ar nėra fiksatorių pažeidimų ar korozijos. Jeigu reikia, priveržkite.	
	Patrinkite visas judančias dalis, ar nėra atplaišų, įtrūkimų, lūžių ar susidėvėjusių vietų, dėl kurių veikimo metu gali atsirasti gedimų.	
Etiketės	Visos etiketės yra ir jos aiškiai įskaitomos.	
Apsaugos nuo kritimo įranga	Papildoma apsaugos nuo kritimo įranga, naudojama su gaminiu, yra sumontuota ir patikrinta pagal gamintojo instrukcijas. Patrinkite, ar kiekvieno jūsų produkto stiprumo įvertis yra suderinamas ir pakankamas numatyta paskirčiai.	

Gaminio tikrinimo santrauka

Jeigu yra neigiamas kokios nors gaminio tikrinimo procedūros rezultatas, toks yra ir bendrosios gaminio patikros rezultatas. Jei gaminio patikros rezultatas neigiamas, nedelsdami nustokite jį eksploatuoti. Gaminį aiškiai pažymėkite žodžiu „NENAUDOTI“. Norėdami gauti daugiau informacijos, žr. 5 skyrių.


Patikros tipas:	<input type="checkbox"/> Naudotojas	<input type="checkbox"/> Kompetentingas asmuo	Bendras patikros rezultatas:	
Patikrą atliko:			Patikros data:	
Parašas:			Kita patikra numatyta:	
Papildomos pastabos.				

Sertifikatai

Jūsų gaminys atitinka šių instrukcijų viršelyje nurodytus šalies arba regiono standartus. Sertifikavimas ir atitiktis gali būti taikomi tik atskiriems gaminiui modeliams ar taikymo sritims.

Daugiau informacijos apie sertifikavimą arba atitikties reikalavimus ieškokite jūsų gaminiui taikomuose standartuose ir reglamentuose.

Naudotojai, kuriems taikomi AS / NZS standartai, turėtų perskaityti AS / NZS 1891.4 dėl pasirinkimo, naudojimo, priežiūros ir mokymo reikalavimų.

BSI sertifikuotas produktas AS/NZS 5532:2013 Licencija: BMP 678539	BSI - Head Office Suite 1, Level 1, 54 Waterloo Road Macquarie Park, NSW, 2113 Australija	
--	---	---

Visuotinė gaminio garantija, ribotoji kompensacija ir atsakomybės apribojimas

Garantija: šiomis nuostatomis pakeičiamos visos išreikštos arba numanomos garantijos ar sąlygos, įskaitant numanomas garantijas ar sąlygas dėl perkamumo ar tinkamumo konkrečiam tikslui.

Jeigu kitaip nenumatyta vietos teisės aktais, „3M“ apsaugos nuo kritimo gaminiams vienų metų laikotarpiui nuo įrengimo arba pirmojo pradinio savininko panaudojimo datos taikoma garantija dėl gamybos ir medžiagų defektų.

Ribotoji kompensacija: Gavusi rašytinį pranešimą „3M“ pataisys arba pakeis bet kokį gaminį, kurį nustatys turėjus gamybos arba medžiagų defektų. 3M pasilieka teisę reikalauti, kad gaminys būtų grąžintas į jos gamyklą garantinėms pretenzijoms įvertinti. Ši garantija netaikoma gaminio pažeidimui dėl dėvėjimosi, netinkamo naudojimo, apgadinimo vežant, gaminio nepriežiūros ar kitų pažeidimų, kurie nuo 3M nepriklauso. Tik pati 3M įvertins gaminio būklę ir parinks garantijos variantą.

Ši garantija skirta tik pradiniam pirkėjui ir yra vienintelė garantija, taikoma 3M apsaugos nuo kritimo gaminiams. Pagalbos kreipkitės į savo regiono „3M“ klientų aptarnavimo skyrių.

Atsakomybės apribojimas: Tiek, kiek leidžiama vietos teisės aktais, „3M“ nėra atsakinga už jokią su gaminiu kaip nors susijusią netiesioginę, atsitiktinę, specialiąją arba pasekmę žalą, įskaitant, be apribojimų, pelno netekimą, nesvarbu, kokia teisės teorija būtų taikoma.

3M™ DBI-SALA® sienas stiprinājuma celtņa pamatne

Lietošanas instrukcija

Veidlapas numurs: 5903663, pārsk. izd.: F

Šis izstrādājums ir sertificēts vai atbilst tālāk norādītajiem standartiem un noteikumiem. Sertifikāciju un atbilstību var attiecināt tikai uz atsevišķiem izstrādājumu modeļiem vai lietojuma veidiem. Papildinformāciju skatiet sadaļā *Sertifikāti*.

- OSHA 29 CFR 1910.140, 1926.502
- EN 795:2012 (A tips)
- CEN/TS 16415:2013 (A tips)
- EN 1496:2006 (4.6. punkts)
- AS/NZS 5532:2013

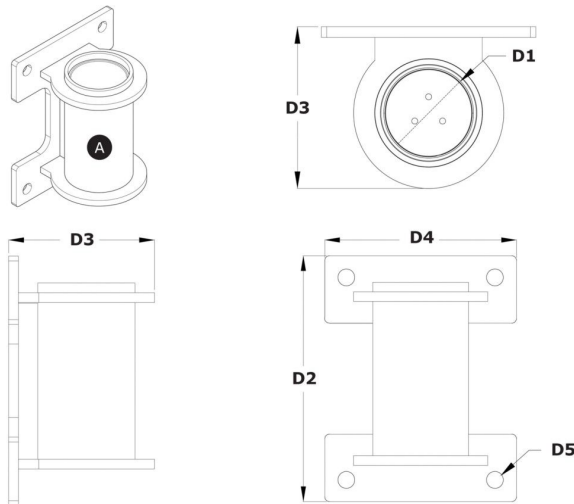
⚠WARNING:

Lai identificētu izstrādājumu kodus, skatiet izstrādājumu specifiku tabulas. Papildinformāciju par izstrādājumu skatiet pārskatā par izstrādājumu.

Daži komponenti var nebūt sertificēti atsevišķi, un tiem var būt nepieciešama montāža, lai izpildītu sertifikācijas prasības.

1. attēls. izstrādājuma pārskats

Modelis	Stils	D1	D2	D3	D4	D5	Produkta svars
8000101	A	10,2 cm (4,0 collas)	32,4 cm (12,75 collas)	19,0 cm (7,5 collas)	25,4 cm (10,0 colla)	22,2 mm (0,88 collas)	15,7 kg (34,0 mārciņas)
8000102	A	10,2 cm (4,0 collas)	32,4 cm (12,75 collas)	19,0 cm (7,5 collas)	25,4 cm (10,0 colla)	22,2 mm (0,88 collas)	15,7 kg (34,0 mārciņas)



Drošības informācija

Pirms šī izstrādājuma lietošanas, lūdzu, izlasiet, izprotiet un ievērojiet visu šajā instrukcijā ietvertu drošības informāciju. **NORĀDĪJUMU NEIEVĒROŠANA VAR IZRAISĪT NOPIETNAS TRAUMAS VAI NĀVI.**

Šī instrukcija ir jāsniedz aprīkojuma lietotājam. Saglabājiet šo instrukciju, lai varētu to izmantot arī turpmāk.

Drošības informācija

Veidlapa: 5908277, pārsk. izd.: B

Paredzētā lietošana

Šo izstrādājumu paredzēts izmantot kā daļu no pilnas kritiena aizsardzības sistēmas.

3M nav atļāvis to izmantot jebkādā citā veidā, tostarp, bet ne tikai, neapstiprinātu materiālu apstrādei, ar atpūtu vai sportu saistītām darbībām vai citām darbībām, kas nav aprakstītas šajā instrukcijā, un tas var izraisīt nopietnas traumas vai nāvi.

Šo izstrādājumu drīkst lietot tikai apmācīti lietotāji darba vietās.

Brīdinājums

Šo izstrādājumu paredzēts izmantot kā daļu no pilnas kritiena aizsardzības sistēmas.

Visiem lietotājiem jābūt pilnībā apmācītiem, kā droši uzstādīt un izmantot pilnas kritiena aizsardzības sistēmu. Šī izstrādājuma nepareiza lietošana var izraisīt smagas traumas vai nāvi. Informāciju par pareizu aprīkojuma izvēli, ekspluatāciju, uzstādīšanu, uzturēšanu un apkopi skatiet visās lietošanas rokasgrāmatās un ražotāja ieteikumos. Lai iegūtu papildinformāciju, sazinieties ar savu darba vadītāju vai 3M tehnisko dienestu.

- **Darbs ar šo ierobežotas vietas piekļuves glābšanas sistēmu ir saistīts ar riskiem, kas var izraisīt smagus savainojumus vai nāvi. Lai mazinātu šos riskus, ievērojiet tālāk norādīto.**
 - Pirms katras lietošanas reizes un pēc katra kritiena pārbaudiet izstrādājumu, ievērojot visas šajā instrukcijā norādītās procedūras.
 - Ja pārbaudes gaitā tiek atklāti drošību apdraudoši faktori vai bojājumi, nekavējoties pārtrauciet aprīkojuma ekspluatāciju un skaidri apzīmējiet to ar marķējumu "NEIZMANTOT". Iznīciniet vai salabojiet izstrādājumu saskaņā ar šo instrukciju.
 - Visi izstrādājumi, kas tikuši pakļauti kritiena vai trieciena iedarbībai, nekavējoties jāizņem no ekspluatācijas. Iznīciniet vai salabojiet izstrādājumu saskaņā ar šo instrukciju.
 - Nodrošiniet, lai visas kritiena aizsardzības sistēmas, kas montētas no dažādu ražotāju izgatavotiem komponentiem, būtu savstarpēji saderīgas un atbilstu visiem piemērojamajiem noteikumiem, standartiem vai prasībām saistībā ar kritiena aizsardzību. Pirms šo sistēmu lietošanas vienmēr konsultējieties ar kompetentu personu.
 - Izstrādājums jāuzstāda tikai tā, kā aprakstīts tā lietošanas instrukcijās. Iekārtas un lietošana, kas neietilpst šo instrukciju rokasgrāmatu darbības jomā, 3M ir rakstiski jāapstiprina.
 - Kritiena aizsardzības apakšsistēmas pievienojiet tikai norādītajam enkurojuma pievienošanas punktam uz produkta.
 - Pirms uzstādīšanas pārliecinieties, ka uzstādīšanas metodes un izstrādājums netraucēs elektriskajām līnijām, gāzes līnijām vai citiem kritiskiem materiāliem vai sistēmām.
 - Parūpējieties, lai izstrādājums būtu pareizi konfigurēts un uzstādīts, tādējādi garantējot tā drošu ekspluatāciju saskaņā ar šajā instrukcijā aprakstītajiem norādījumiem.
 - Nesavērpjiet, nesasieniet, nesamezgliojiet drošības virvi un nepieļaujiet, ka tā kļūst vaļīga.
 - Nepārsniedziet šajā instrukcijā norādīto atļauto lietotāju skaitu.
 - Uzstādot, lietojot vai pārvietojot izstrādājumu, ievērojiet piesardzību, jo tā kustīgās daļas var radīt iespēšanas risku.
 - Attiecīgā gadījumā ir jāievēro bloķēšanas/atzīmēšanas procedūras.
 - Nepievienojieties sistēmai, kamēr tā tiek transportēta vai uzstādīta.
- **Lai mazinātu riskus, kas saistīti ar darbu augstumā un kas, ja netiek novērsti, var izraisīt nopietnas traumas vai nāvi, ievērojiet tālāk norādītos nosacījumus.**
 - Jūsu veselībai un fiziskajai sagatavotībai ir jābūt atbilstoši, lai varētu droši strādāt augstumā un izturēt visus apstākļus, kas saistīti ar kritiena apturēšanu. Ja jums rodas jautājumi par savu spēju lietot šo aprīkojumu, konsultējieties ar savu ārstu.
 - Nekad nepārsniedziet kritiena aizsardzības aprīkojuma pieļaujamo celtspēju.
 - Nekad nepārsniedziet maksimālo brīvā kritiena attālumu, kāds norādīts kritiena aizsardzības aprīkojumam.
 - Neizmantojiet tādu kritiena aizsardzības aprīkojumu, kas nav izturējis drošības pārbaudi, vai ja radušās bažas par aprīkojuma lietošanu vai piemērotību. Ar visiem jautājumiem vērsieties pie 3M klientu apkalpošanas dienesta.
 - Dažas apakšsistēmu un sastāvdaļu kombinācijas var apgrūtināt šī aprīkojuma darbību. Lietojiet tikai saderīgus savienojumus. Sazinieties ar 3M klientu apkalpošanas dienestu, pirms lietojat šo aprīkojumu kopā ar citiem komponentiem vai apakšsistēmām, kas nav aprakstītas šajā instrukcijā.
 - Strādājot kustīgu mehānismu tuvumā un apstākļos, kad pastāv elektriskās strāvas trieciena, pārmērīgu temperatūru, ķīmiskā apdraudējuma, sprādzienbīstamu vai toksisku gāzu, asu šķautņu vai abrazīvu virsmu radīts risks, vai veicot darbu zem objektiem, kas var uzkrīst jums vai kritiena aizsardzības aprīkojumam, ievērojiet īpašu piesardzību.
 - Pārliecinieties, ka jūsu izmantotais izstrādājums ir paredzēts lietošanai ar jūsu darba vidē esošajiem apdraudējumiem.
 - Strādājot augstumā, nodrošiniet pietiekamu kritiena klīrensu.
 - Nekad nepārveidojiet un nepārtaisiet savu kritiena aizsardzības aprīkojumu. 3M aprīkojuma remontu drīkst veikt tikai 3M un 3M rakstiski pilnvarotas personas.
 - Pirms kritiena aizsardzības aprīkojuma lietošanas parūpējieties, lai būtu izstrādāts rakstisks glābšanas darbu plāns, lai nodrošinātu tūlītēju glābšanu kritiena gadījumā.
 - Kritiena gadījumā nekavējoties izsauciet medicīnisko palīdzību kritušā darbinieka aprūpei.
 - Kritiena apturēšanai vienmēr izmantojiet visa ķermeņa iekares sistēmu. Nelietojiet tikai ķermeņa jostu.
 - Lai pēc iespējas samazinātu svārsta kritienu risku, centieties strādāt tieši zem stiprinājuma punkta.
 - Šī izstrādājuma lietošanas apmācības laikā vienmēr jāizmanto otra kritiena aizsardzības sistēma. Apmācāmās personas nedrīkst pakļaut neparedzētam kritiena riskam.
 - Uzstādot, izmantojot vai pārbaudot izstrādājumu, vienmēr lietojiet atbilstošus individuālās aizsardzības līdzekļus.
 - Nekad nestrādājiet zem iekārtas kravas vai darbinieka.
 - Vienmēr nodrošiniet 100% saasi.

Pārskats par izstrādājumu

Vienmēr pārlicinieties, vai izmantojat jaunāko 3M instrukciju rokasgrāmatu. Apmeklējiet vietni www.3m.com/userinstructions vai sazinieties ar 3M klientu apkalpošanas dienesta pārstāvi, lai saņemtu jaunāko lietošanas pamācības versiju.

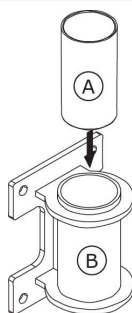
Pirms šī ekipējuma lietošanas pārrakstiet izstrādājuma datus no ID marķējuma šīs pamācības beigās esošajā "Pārbaudes un apkopes žurnālā".

1. attēlā ir norādīti pieejamie produktu modeļi. Celtņa pamatnes kalpo kā celtņa sistēmas daļa, kas palīdz to nostiprināt pie zemes. Celtņš ir piestiprināts pie pamatnes, vienlaikus darbojoties kā regulējams, pārvietojams stiprinājuma punkts lietotājam. Lai iegūtu papildinformāciju par sistēmas lietojuma veidiem, skatiet saderīgās celtņa vai celtņa sistēmas ražotāja instrukcijas.

2. attēlā ir norādīti pieejamo produktu modeļu galvenie komponenti. celtņa pamatne sastāv no diviem gabaliem: ieliktnis (A) un celtņa uzdeva (B). Ieliktnis ļauj nostiprināt celtņim brīvi griezties celtņa uzdeva iekšpusē. Uzdeva ietver piestiprinātu montāžas plāksni celtņa pamatnes nostiprināšanai pie struktūras.

Katram ražojuma modelim ir savas specifikācijas, kā norādīts 1. attēlā. Papildinformāciju skatiet izstrādājumu specifikāciju tabulās.

2. attēls — komponenti



Izstrādājuma specifikāciju tabulas

Sistēmas specifikācijas

Lietotāja jauda.	Lai iegūtu papildinformāciju par sistēmas noslodzi, skatiet ražotāja norādījumus par saderīgiem celtņa modeļiem.
Standarti.	Katrs produkta modelis ir sertificēts vai atbilst attiecīgajiem standartiem un regulām, kas atspoguļoti 1. attēlā. Ja neviens no tiem nav norādīts, tad tiek piemēroti visi uz vāka norādītie standarti un noteikumi.

Komponentu specifikācijas

2. attēla norāde	Komponents	Materiāli
A	Ieliktnis	Augsta blīvuma polietilēns
B	Celtņa uzdeva	8000101: Cinkots oglekļa tērauds
		8000102: Nerūsējošais tērauds

1.0. Izstrādājuma lietošana

1.1. Mērķis: celtņa sistēmas darbojas kā mobilās stiprinājuma konstrukcijas kritienu novēršanas sistēmām. Montāža un komponenti mainīsies atkarībā no sistēmas. Papildinformāciju par sistēmas lietošanas veidiem skatiet sadaļā Pārskats par izstrādājumu un visās sadaļās par uzstādīšanu vai lietošanu.

1.2 Uzraudzība: Šī ekipējuma lietošana jāuzrauga kompetentai personai.. Šī ekipējuma uzstādīšana jāuzrauga kompetentai personai. Kvalificētai personai jāpārlicinās, vai uzstādītā konstrukcija atbilst vietējām un federālām prasībām. Stiprinājumi un Davit pamatnes izvietošanas arī jāapstiprina kvalificētai personai.

1.3 Tālāk pārdošana un izplatīšana: Ja šis izstrādājums tiek pārdots tālāk ārpus sākotnējās izcelsmes valsts, tālāk pārdevējam jānodrošina, lai šī instrukcija būtu pieejama tās valsts valodā, kur šo izstrādājumu lieto.

1.4 Apmācība. Aprikojumu drīkst uzstādīt un lietot personas, kuras apmācītas tā pareizā lietošanā. Šī instrukcija jāizmanto darbinieka apmācības programmas ietvaros atbilstoši valsts, reģionālajiem vai vietējiem standartiem. Šī aprikojuma lietotāju un uzstādītāju pienākums ir iepazīties ar šo instrukciju, iziet apmācības par aprikojuma pareizu apkopi un lietošanu, kā arī pārzināt aprikojuma lietošanas raksturlielumus, lietošanas ierobežojumus un nepareizas lietošanas sekas.

1.5 Glābšanas plāns: Lietojot šo aprikojumu un savienojošās apakšsistēmas, darba devējam jāsigatavo rakstisks glābšanas plāns un līdzekļi šī plāna īstenošanai un lietotāju, pilnvaroto personu un glābēju iepazīstināšanai ar šo plānu. Ieteicams, lai uz vietas būtu apmācīta glābšanas komanda. Komandas locekļiem jānodrošina aprikojums un tehnika, kas nepieciešama veiksmīgai glābšanai. Lai nodrošinātu nepieciešamās glābēju prasmes, jāveic regulāras apmācības. Glābējiem jāizsniedz šī instrukcija. Glābšanas procesa laikā nepārtraukti jābūt nodrošinātam vizuālam kontaktam vai saziņai ar glābjamo personu.

2.0. Sistēmas prasības

2.1 Enkurojums. Enkurojuma konstrukcijai, kas nostiprina šo produktu, ir jāspēj izturēt visas nepieciešamās slodzes, ko pieļauj tā kritiena aizsardzības sistēma. Plašāku informāciju skatiet 4. sadaļā.

2.2 Kapacitāte. Pilnas kritiena aizsardzības sistēmas lietotāju celbspēju ierobežo komponents ar zemāko nominālo maksimālo celbspēju. Piemēram, ja savienojošās apakšsistēmas celspēja ir mazāka par iekares sistēmas celspēju, ir jāievēro savienojošās apakšsistēmas celspējas prasības. Celspējas prasības skatiet katra sistēmas komponenta ražotāja instrukcijās.

2.3 Vides riski. Šī aprikojuma izmantošanai vietās, kur pastāv vides riski, var būt nepieciešami papildu piesardzības pasākumus, lai novērstu lietotāja traumas vai aprikojuma sabojāšanu. Riski var ietvert, bet nav ierobežoti ar: lielu karstumu, ķīmiskas vielas, kodīgu vidi, augstsprieguma līnijas, sprādzienbīstamas vai indīgas gāzes, virs galvas esošus kustīgus mehānismus vai materiālus, kas var uzkrīst lietotājam vai aprikojumam. Lai iegūtu plašāku informāciju, sazinieties ar 3M klientu atbalsta dienestu.

2.4 Drošības virves apdraudējumi. Nodrošiniet, lai drošības virve būtu brīva no jebkāda veida apdraudējumiem, tostarp, bet ne tikai: sapīšanās ar lietotājiem, citiem strādniekiem, kustīgiem mehānismiem, citiem apkārtējiem objektiem vai iespējamiem triecieniem no augstāk esošiem objektiem, kas var nokrist uz drošības virves vai tās lietotājiem.

2.5 Komponentu savietojamība. 3M aprikojumu paredzēts lietot ar 3M komponentiem. Tāda aprikojuma lietošanu, kas nav 3M aprikojums, jāapstiprina kompetentai personai. Neapstiprināta aprikojuma aizstāšana var apdraudēt aprikojuma saderību, kā arī ietekmēt kritiena aizsardzības sistēmas drošumu un uzticamību. Pirms lietošanas izlasiet un ievērojiet visus aprikojuma norādījumus un brīdinājumus.

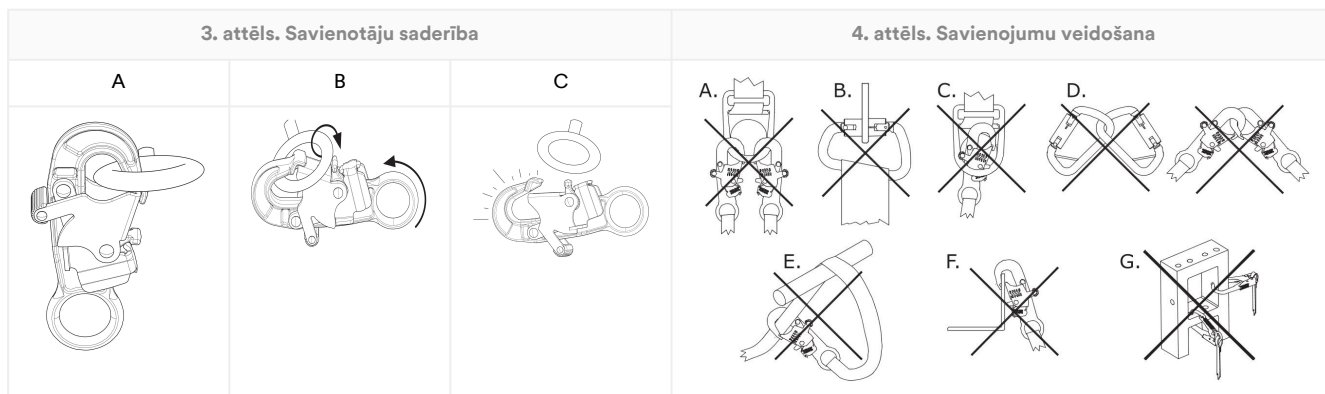
2.6 Savienotāju savietojamība. Savienotāji ir saderīgi ar savienojošajiem elementiem, ja neviena komponenta izmērs un forma nerada nejaušas savienotāja atvēršanās risku neatkarīgi no orientācijas. Savienotājiem ir jāatbilst piemērojamajiem standartiem. Lietošanas laikā savienotājiem ir jābūt pilnībā noslēgtiem un fiksētiem.

3M savienotāji (fiksējošie āķi un karabīnes) ir paredzēti tikai tādām lietojumam, kā norādīts katra izstrādājuma lietošanas pamācībā. Pārlicinieties, ka savienotāji ir saderīgi ar sistēmas komponentiem, pie kuriem tie ir pievienoti. Neizmantojiet nesaderīgu aprikojumu. Nesaderīgu komponentu izmantošana var izraisīt nejaušu savienotāja atvēršanos. Atsaucēi skatiet attēlu. Ja savienojošais elements, kam pievienots savienotājs, ir pārāk mazs vai neregulāras formas, var rasties situācija, kad savienojošais elements spiež uz savienotāja slēdzēj mehānismu (A). Šis spēks var izraisīt slēdzēj mehānisma atvēršanos (B), izraisot savienotāja atvēršanos no savienojošā elementa (C).

2.7 Savienojumu veidošana. Savienojumiem jābūt saderīgiem izmēra, formas un izturības ziņā. Neatbilstošu savienojumu piemērus skatiet 4. attēlā. Fiksācijas āķus un karabīnes nedrīkst piestiprināt tālāk norādītajā veidā.

1. Pie D veida gredzena, kam pievienots cits savienotājs.
2. Tādā veidā, kas rada slodzi slēdzēj mehānismam. Lielus fiksējošos āķus nedrīkst savienot ar D veida gredzeniem vai citiem savienojošiem elementiem, ja vien fiksējošā āķa slēdzēj mehānisma izturība nav 16 kN vai lielāka.

3. Viltus savienojumā, kur savienotāja vai savienojošā elementa izmērs vai forma nav saderīga un kur bez vizuālas pārbaudes savienotāji var šķīst pilnībā savienoti.
4. Savā starpā.
5. Tieši uz siksnu, štopes kāju materiālu vai atsaites materiālu, ja vien šāds savienojums nav skaidri atļauts ražotāja norādījumos.
6. Jebkādam objektam, kura izmērs vai forma neļauj savienotājam pilnībā aizvērties un nofiksēties vai kas var izraisīt savienotāja atvēršanos.
7. Tādā veidā, kas neļauj savienotājam ieņemt pareizo stāvokli slodzes apstākļos.



3.0. Uzstādīšana

3.1. Pārskats: Davīt sistēmas uzstādīšana var būt ilgstoša procedūra ar vairākiem soļiem. Efektīva plānošana un jūsu darba vietas un aprīkojuma apzināšana ļoti palīdz, lai šis process noritētu pēc iespējas raitāk.

3.2. Plānošana: Plānojiet kritiena aizsardzības sistēmu pirms darba sākšanas. Novērtējiet visus faktorus, kas var ietekmēt jūsu drošību pirms un pēc kritiena un kritiena laikā. Ņemiet vērā visas prasības un ierobežojumus, kas norādīti šajā instrukcijā.

1. **Asas šķautnes.** Nestrādājiet vietās, kur sistēmas komponenti var nonākt saskarē ar neaizsargātām asām malām un abrazīvām virsmām vai berzēties pret tām. Visas asās malas un abrazīvās virsmas jāpārklāj ar aizsargmateriālu.
2. **Savietojamība.** Uzstādot sistēmu, ir svarīgi izmantot saderīgus komponentus. Katrs produkta modelis ir saderīgs lietošanai ar noteiktu produktu modeļu vai konstrukciju komplektu.

Celtņa pamatne var uzņemt arī jebkādus celtņa masta pagarinājumus, kas ir saderīgi ar uzskaitītajiem celtņiem.

Saderīgi celtņu modeļi	Celtņa lietošanas instrukcija
8000107	5908417
8000108	5908417
8000130	5908364
8000131	5908364

3.3. Celtņa pamatnes uzstādīšana Uzstādiet celtņa pamatni saskaņā ar norādījumiem, kas sniegti izstrādājuma modelim.

Pirms celtņa pamatnes uzstādīšanas stiprinājuma konstrukcijas virsma ir jānotīra no jebkādiem gružiem.

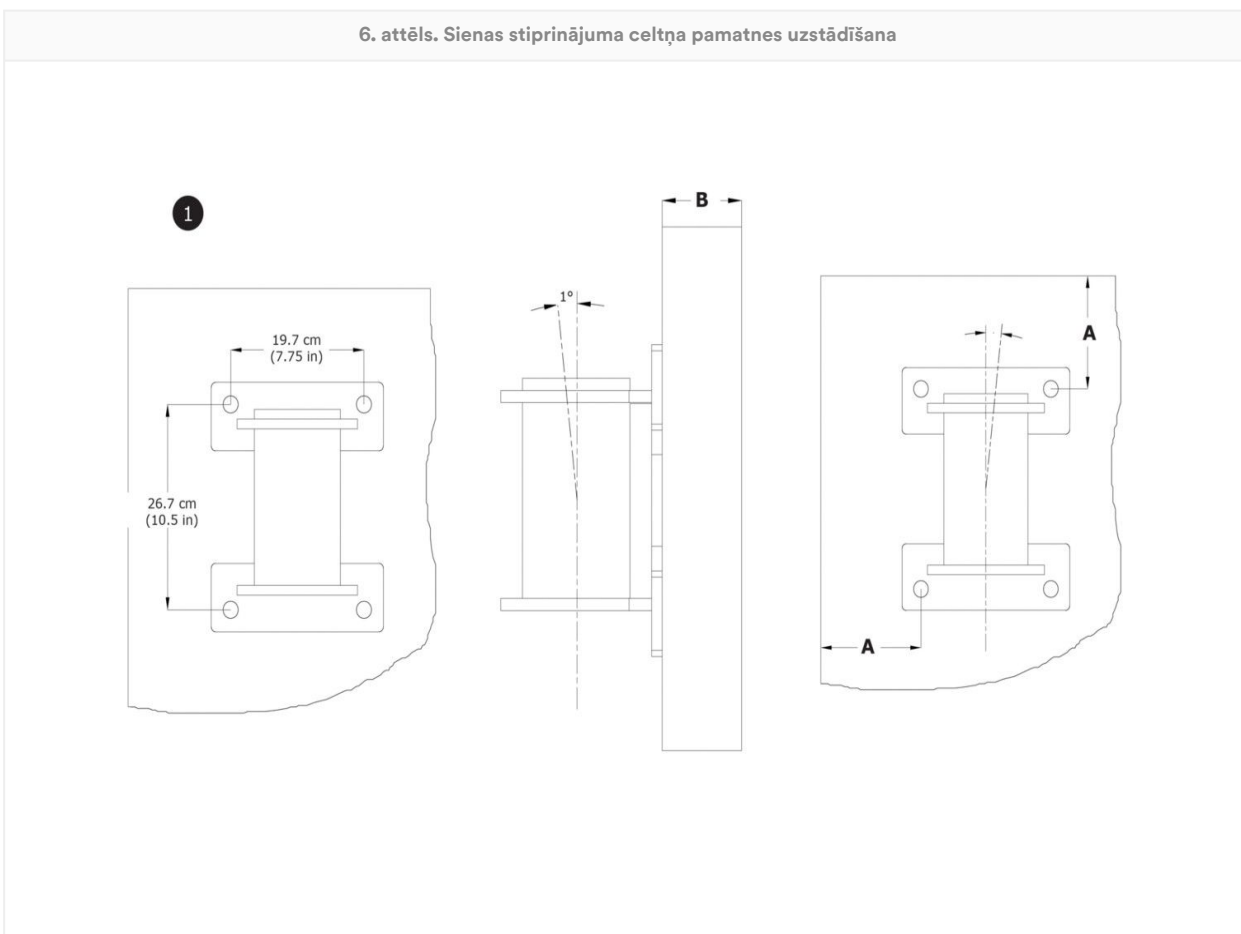
A. Sienas stiprinājuma celtņa pamatne: Pirms lietošanas jāsapatavo ar celtņa pamatne.

1. **Sagatavojiet vietu.** Izvēlieties atbilstošu montāžas virsmu, lai uzstādītu celtņa pamatni, pēc tam nosakiet, kur jāuzstāda pamatne. Ir jābūt pietiekamam atstatumam no malas (A) un pietiekamam materiāla biezumam (B), lai atbalstītu struktūras un sistēmas stiprības prasības. Atzīmējiet un pēc tam urbiet visus montāžas caurumus līdz stiprinājuma ražotāja ieteiktajam diametram un dziļumam.

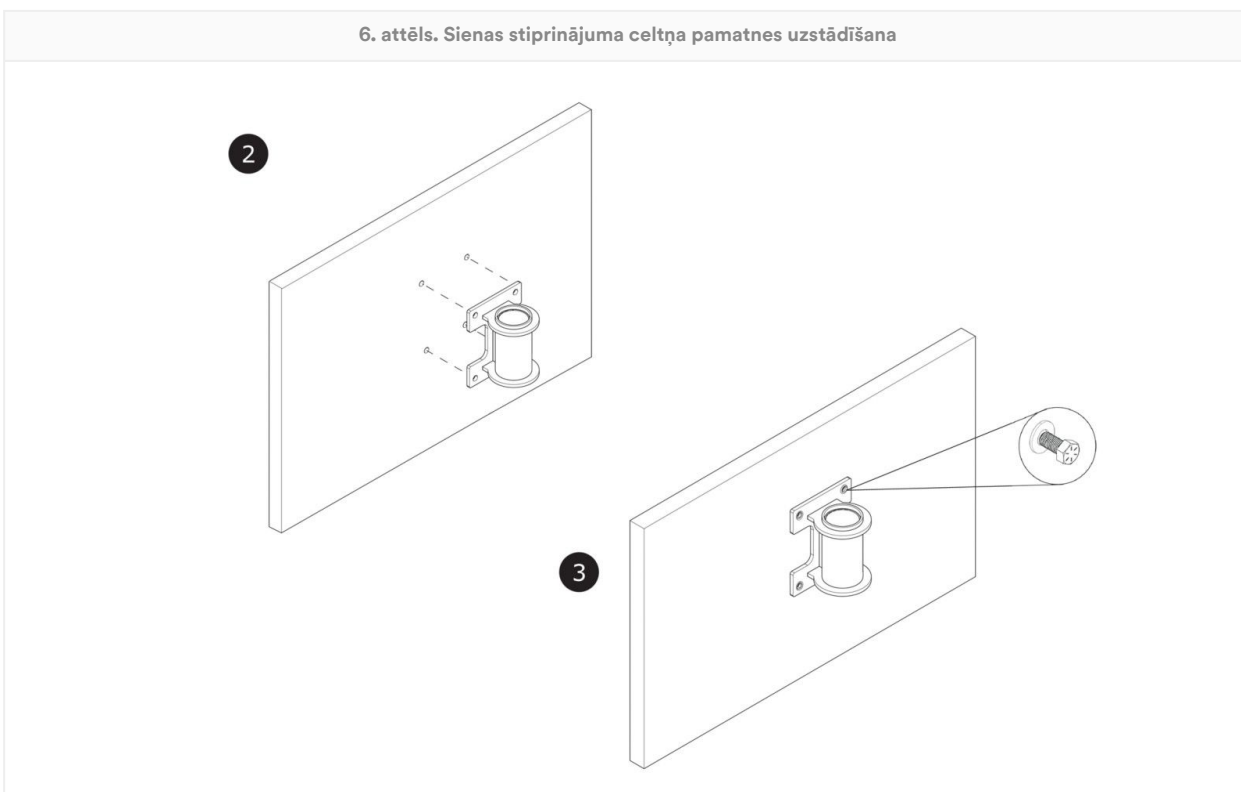
Celtņa pamatne ir jāuzstāda uz līdzenas, vertikālas virsmas.

2. **Sagatavojiet celtņa pamatni.** Izlīdziniet montāžas plāksnes caurumus ar urbtajiem caurumiem. Celtņa pamatnei ir jābūt novietotai plus vai mīnus 1 grāda robežās no vertikāles.
3. **Nostipriniet celtņa pamatni.** Nostipriniet celtņa pamatni, izmantojot izvēlētos stiprinājumus, kā norādīts stiprinājumu ražotāja norādījumos.

6. attēls. Sienas stiprinājuma celtņa pamatnes uzstādīšana



6. attēls. Sienas stiprinājuma celtņa pamatnes uzstādīšana



3.4. Celtņa nostiprināšana: Pēc tam, kad celtņa pamatne ir uzstādīta, lietotājs var nostiprināt celtņa sviru vai mastu pie pamatnes. Celtnim ir jābūt piestiprinātam pie stiprinājuma balsta vai celtņa pamatnes uznavas iekšpusē, kā tas ir piemērojams jūsu izmantotajai celtņa pamatnei. Pārbaudiet, vai celtnis ir drošs un vai visas vadotnes vai fiksācijas tapas tiek izmantotas pareizi. Lai iegūtu papildinformāciju, skatiet ražotāja norādījumus par celtni vai celtņa sistēmu.

4.0. Lietošana

4.1 Pirms katras lietošanas. Pārbaudiet, vai darba zona un kritiena aizsardzības sistēma atbilst visiem šajā instrukcijā definētajiem kritērijiem. Pārbaudiet, vai ir pieejams oficiāls glābšanas plāns. Pārbaudiet izstrādājumu atbilstoši pārbaudes punktiem "Lietotājs", kas definēti pārbaudes un apkopes žurnālā. Ja pārbaudē tiek konstatēts, ka apstākļi ir nedroši vai nepilnīgi, vai ja rodas jebkādas šaubas par sistēmas stāvokli, nekavējoties pārtrauciet izstrādājuma lietošanu. Skaidri marķējiet izstrādājumu ar uzrakstu "NEIZMANTOT". Plašāku informāciju skatiet 5. sadaļā.

4.2. Enkurojums. Papildus produkta ietilpībai jebkurā kritiena aizsardzības sistēmā ir jāņem vērā visu nesošo konstrukciju vai komponentu stiprās puses.

1. **Enkurojuma konstrukcija:** Enkurojuma konstrukcijai, kas nostiprina šo produktu, ir jāspēj izturēt visas nepieciešamās slodzes, ko pieļauj tā kritiena aizsardzības sistēma.

Momenta slodze	136 400 mārciņas. (15,41 kN*m)
----------------	--------------------------------

2. **Enkurojuma punkti:** Enkurojuma punktiem, ko izmanto kopā ar produktu, jāspēj izturēt jebkādas slodzes, ko rada produkts.
3. **Stiprinājumi:** Visiem stiprinājumiem, kas nostiprina izstrādājumu vietā, jābūt pietiekami izturīgiem, lai lietošanas laikā izstrādājums būtu nostiprināts. Sīkāku informāciju skatiet stiprinājuma ražotāja norādījumos.

Stiprinājuma izvilkšanas spēks	35,59 kN (8,000 lbf)
Bīdes pretestība uz vienu stiprinājumu	22,2 kN (5,000 lbf)

4.3 Pēc kritiena. Ja šis aprīkojums ir ticis pakļauts kritiena bloķēšanai vai trieciena spēkam, nekavējoties pārtrauciet tā ekspluatāciju. Skaidri marķējiet to ar uzrakstu "NEIZMANTOT". Plašāku informāciju skatiet 5. sadaļā.

4.4 Materiālu apstrāde. 3M ļauj izmantot šo izstrādājumu materiālu apstrādei atbilstoši norādījumiem. Vietējiem noteikumiem vai standartiem var būt papildu ierobežojumi, vai arī tie var regulēt kritienu novēršanas ekipējuma izmantošanu materiālu apstrādei.

⚠CAUTION:

Šis izstrādājums ir jāizmanto ar saderīgu celtni, lai to varētu izmantot materiālu apstrādei. Nekad nenostipriniet materiāla kravu tieši uz celtna pamatnes.

Pirms materiāla kravas nostiprināšanas pārbaudiet, vai tā ir sagatavota transportēšanai.

Nekad vienlaikus nenostipriniet šo izstrādājumu pie materiāliem un lietotājiem.

Izstrādājums, ko izmanto materiālu apstrādē, kompetentajai personai jāpārbauda pirms tā nākamās izmantošanas. Vietējie noteikumi vai standarti var ierobežot pāreju starp personāla izmantošanu un materiālu apstrādi.

1. **Nostipriniet celtni.** Nostipriniet celtni pie celtna pamatnes, kā norādīts tā lietošanas instrukcijā.
2. **Nostipriniet savienojošo apakšsistēmu ar celtni.** Lai iegūtu papildinformāciju, skatiet ražotāja norādījumus par celtni.
3. **Nostipriniet stiprinājumu pie materiāla slodzes.** Pēc vajadzības samaziniet vai palieliniet materiāla slodzi.

Materiālu celtspēja

340 kg (750 mārciņas)

5.0. Pārbaude

Kad aprīkojums ir izņemts no ekspluatācijas, to nevar nodot atpakaļ lietošanā, kamēr kompetenta persona rakstiski nav apstiprinājusi, ka drīkst šādi rīkoties.

5.1. Pārbaudes biežums: Lietotājam jāpārbauda izstrādājums pirms katras tā lietošanas reizes, un papildus vismaz reizi gadā šāda pārbaude jāveic arī kompetentai personai, kas nav lietotājs. Izmantojot aprīkojumu biežāk un skarbākos

apstākļos, var būt nepieciešams palielināt kompetentās personas veikto pārbažu biežumu. Kompetentajai personai jānosaka šo pārbažu biežums atbilstoši konkrētās darba vietas apstākļiem.

Piemērojamais standarts vai reģions	Nepieciešamais kompetentās personas pārbažu biežums
ANSI un OSHA	Reize gadā
EN standarti	Reize gadā
AS/NZS	Reize gadā

5.2. Pārbaudes procedūras: Pārbaudiet šo izstrādājumu saskaņā ar procedūrām, kas norādītas “Pārbaudes un apkopes žurnālā”. Šī aprīkojuma īpašniekam ir jā saglabā katras pārbaudes dokumentācija. Pārbaudes un apkopes žurnālam jābūt novietotam izstrādājuma tuvumā vai kādā citā lietotājiem viegli pieejamā vietā. Ieteicams atzīmēt uz izstrādājuma nākamās vai iepriekšējās pārbaudes veikšanas datumu.

5.3. Defekti Ja produktu nevar nodot atpakaļ ekspluatācijā esoša defekta vai nedroša stāvokļa dēļ, produkts ir vai nu jāiznīcina, vai jānosūta remontam 3M vai 3M pilnvarotam servisa centram.

5.4. Izstrādājuma kalpošanas laiks: izstrādājuma kalpošanas ilgumu nosaka darba apstākļi un apkope. Kamēr izstrādājums atbilst pārbaudes kritērijiem, to var turpināt lietot.

6.0. Apkope, glabāšana un remonts

Aprīkojumam, kam nepieciešama apkope vai kam iepļānota apkope, jābūt marķētam ar uzrakstu “NEIZMANTOT”. Šis aprīkojuma etiķetes nedrīkst noņemt, kamēr nav veikta apkope.

6.1. Tīrīšana: Periodiski tīriet produkta metāla komponentus ar siltu ūdeni un maigu ziepju šķīdumu. Izskalojiet produktu ar tīru ūdeni, pēc tam ļaujiet tam nožūt. Lai uzzinātu vairāk, lūdzu, skatiet tehnisko biļetenu mūsu tīmekļa vietnē: <https://www.3M.com/FallProtection/Mechanical-Device-Cleaning>

6.3. Remonts: Šo aprīkojumu drīkst labot tikai 3M vai puses, kas saņēmušas rakstisku 3M atļauju.

6.3 Glabāšana un transportēšana: Glabājiet un transportējiet izstrādājumu vēsā, sausā un tīrā vidē, sargājot to no tiešas saules gaismas. Izvairieties no vietām, kur var būt ķīmikāliju tvaiki. Rūpīgi pārbaudiet komponentus pēc ilgstošas aprīkojuma uzglabāšanas.

Pastāvīgi uzstādītām pamatnēm nevajadzētu atstāt darba vietu. Citus komponentus var noņemt no šīm pamatnēm uzglabāšanai vai transportēšanai, bet pamatnei ir jāpaliek.

⚠WARNING:

Pēkšņas pārejas starp siltu un ārkārtīgi aukstu vidi var ietekmēt jūsu ekipējuma veiktspēju. Mehāniskās ierīces (piemēram, pašievelkošās ierīces, vinčas, izguves ierīces, kāpšanas piedurknes utt.) būtu jāpielāgo lietošanai ārkārtīgi aukstā laikā vai karstumā, uzglabājot tās darba videi līdzīgā temperatūrā. Pirms aprīkojuma lietošanas vienmēr veiciet tā pirmslietošanas pārbaudi tā darba vidē.

7.0. Etiķetes un marķējumi

7.1 Kopsavilkums. Attēlā "Produktu etiķetes" ir attēlotas uz produkta esošās etiķetes un marķējumi. Tālāk skatiet informācijas kopsavilkumu, kas sniegta ar katru etiķeti un marķējumu.

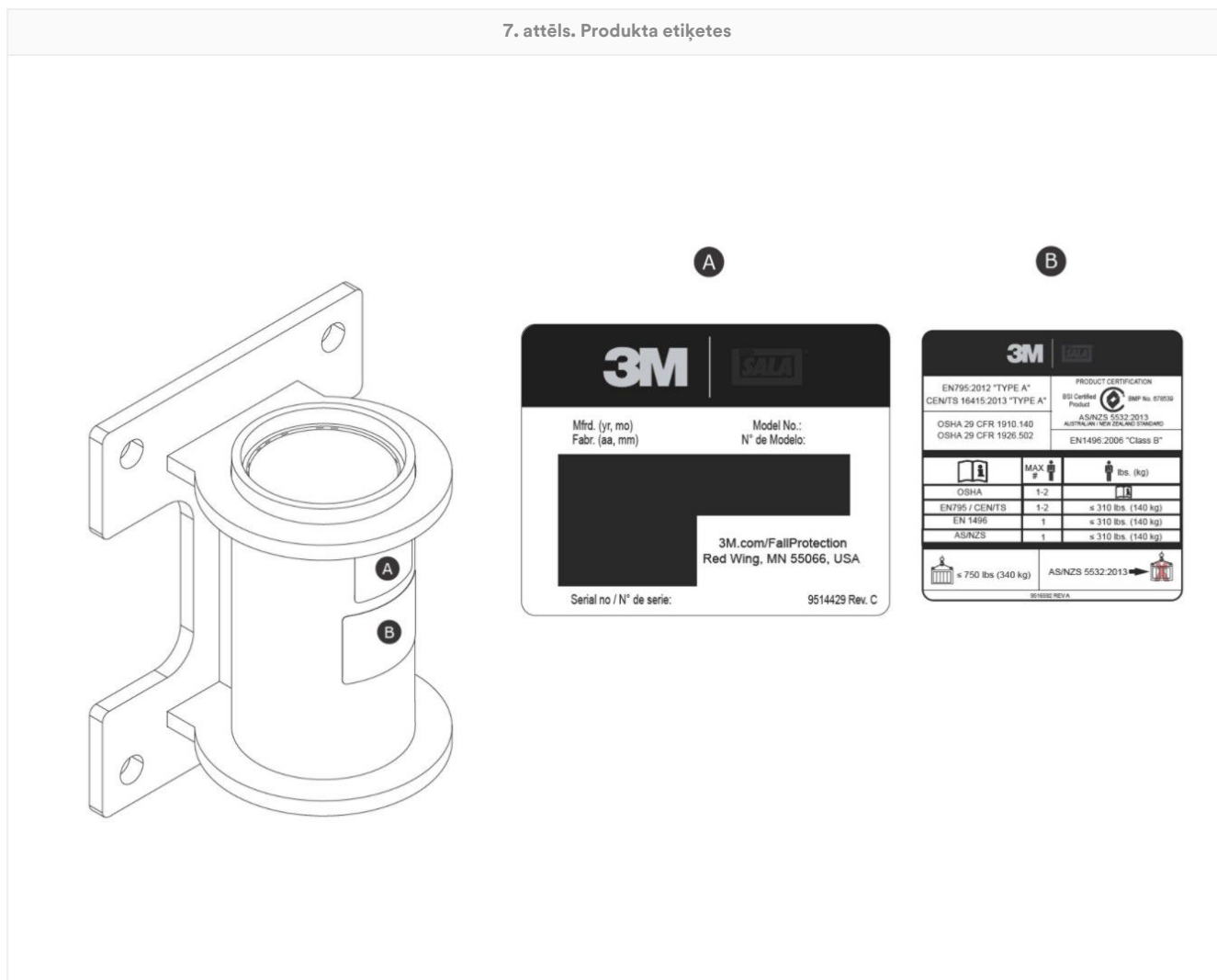
NOTICE:

Marķējuma attēliem ir jābūt reprezentatīviem. Konkrētu informāciju, lūdzu, skatiet uz sava produkta marķējumiem.

Trūkstošās vai bojātās etiķetes ir jānomaina. Visām etiķetēm jābūt pilnībā salasāmām.

A	Izstrādājuma specifikācijas etiķete
B	ID etiķete

7. attēls. Produkta etiķetes



Glosārijs

Definīcijas. Šajā lietošanas instrukcijā izmantoti tālāk norādītie termini un definīcijas.

Visaptverošu terminu un definīciju sarakstu skatiet mūsu tīmekļa vietnē: www.3m.com/FallProtection/ifu-glossary

- **Pilnvarotā persona:** persona, kuru darba devējs norīkojis veikt darba pienākumus vietā, kur šī persona tiek pakļauta kritiena riskam.
- **Kompetentā persona:** persona, kura spēj identificēt esošos un paredzamos riskus apkārtņē vai darba apstākļos, kas ir antisanitāri, kaitīgi vai bīstami darbiniekiem, un kura ir pilnvarota nekavējoties veikt korektīvus pasākumus attiecīgo risku novēršanai.

- **Kritiena apturēšanas sistēma:** kritiena aizsardzības aprīkojuma komplekts, kas konfigurēts tā, lai pasargātu lietotāju kritiena gadījumā.
- **Kvalificēta persona:** persona, kurai ir atzīts grāds, sertifikāts vai profesionālais statuss vai kura, pateicoties plašām zināšanām, apmācībai un pieredzei, ir sekmīgi pierādījusi savu spēju atrisināt vai novērst problēmas, kas saistītas ar kritiena aizsardzības un glābšanas sistēmām, tādā apmērā, kā to pieprasa piemērojamie valsts, reģionālie un vietējie noteikumi.
- **Glābšanas sistēma:** kritiena aizsardzības aprīkojuma komplekts, kas konfigurēts tā, lai varētu pārvietot personu prom no briesmām uz drošu vietu. Brīvais kritiens nav atļauts.
- **Glābējs:** persona, kura izmanto glābšanas sistēmu, lai palīdzētu veikt glābšanas darbus.
- **Ierobežojoša sistēma:** kritiena aizsardzības aprīkojuma komplekts, kas konfigurēts tā, lai nepieļautu kritiena risku. Brīvais kritiens nav atļauts.
- **Lietotājs:** persona, kura veic darbības, izmantojot kritiena aizsardzības sistēmu.
- **Darba pozicionēšanas sistēma:** kritiena aizsardzības aprīkojuma komplekts, kas konfigurēts tā, lai atbalstītu lietotāju darba pozīcijā.

Pārbaudes un apkopes žurnāls

Šīs tabulas kopija jāizmanto katrai pārbaudei. Ierakstiet informāciju zemāk.

Ražotājs: 3M kritienu novēršana

Modeļa numurs (sērijas numurs):

Iegādes datums:

Pirmās lietošanas datums:

Lietotājam jāpārbauda šis izstrādājums pirms katras lietošanas reizes. Turklāt kompetentajai personai, kas nav lietotājs, jāpārbauda šī iekārta ar intervāliem, kas noteikti 5. sadaļā.

Komponents	Pārbaudes procedūra	Pārbaudes rezultāts (nokārtots vai nesekmīgs)
Izstrādājums (2. attēls)	Pārbaudiet, vai celtna pamatnei nav bojājumu, deformāciju, korozijas un rūsas. Meklējiet plaisas, likumus, iespaidumus vai nodilumu, kas varētu ietekmēt sistēmas izturību un darbību. Pārbaudot koroziju, jums jāpārbauda arī enkura ierīce, tās stiprinājumi vai stiprinājumi un konstrukcija, pie kuras enkura ierīce ir nostiprināta.	
	Pārbaudiet, vai visiem stiprinājumiem nav bojājumu vai korozijas. Ja nepieciešams, pievelciet.	
	Pārbaudiet, vai visās kustīgajās daļās nav nodrupušu malu, plaisu, lūzumu vai nodilušu vietu, kas darbības laikā var izraisīt darbības traucējumus.	
Etīķetes	Vīsam marķējumam jābūt vietā un pilnībā salasāmam.	
Kritiena aizsardzības aprīkojums	Papildu kritienu novēršanas ekipējums, kas tiek izmantots kopā ar izstrādājumu, tiek uzstādīts un pārbaudīts saskaņā ar ražotāja norādījumiem. Pārbaudiet, vai katra izstrādājuma stipruma novērtējums ir saderīgs un pietiekams paredzētajam lietojumam.	

Izstrādājuma pārbaudes kopsavilkums

Ja izstrādājuma pārbaudes procedūra ir nesekmīga, arī vispārējā izstrādājuma pārbaude ir nesekmīga. Ja izstrādājuma pārbaude ir nesekmīga, nekavējoties izņemiet to no ekspluatācijas. Skaidri marķējiet izstrādājumu ar uzrakstu "NEIZMANTOT". Plašāku informāciju skatiet 5. sadaļā.

Pārbaudes veids:

Lietotājs

Kompetenta persona

Vispārējās pārbaudes rezultāts:

Pārbaudes veicējs:

Pārbaudes datums:

Paraksts:

Nākamās pārbaudes veikšanas datums:

Papildu piezīmes:

Sertifikāti

Jūsu izstrādājums atbilst valsts vai reģionālajiem standartiem, kas norādīti uz šīs instrukcijas priekšējā vāka. Sertifikāciju un atbilstību var attiecināt tikai uz atsevišķiem izstrādājumu modeļiem vai lietojuma veidiem.

Plašāku informāciju par sertifikācijas vai atbilstības prasībām skatiet izstrādājumam piemērojamajos standartos un noteikumos.

Lietotājiem saskaņā ar AS/NZS standartiem ir jāiepazīstas ar AS/NZS 1891.4 par atlases, lietošanas, apkopes un apmācības prasībām.

BSI sertificēts izstrādājums AS/NZS 5532:2013 Licence: BMP 678539	BSI – Head Office Suite 1, Level 1, 54 Waterloo Road Macquarie Park, NSW, 2113, Austrālija	
---	--	---

Vispārējā izstrādājuma garantija, ierobežots tiesiskās aizsardzības līdzeklis un atbildības ierobežojums

Garantija. Tālāk sniegtā informācija aizvieto visas garantijas vai noteikumus, skaidri izteiktus vai netiešus, ieskaitot netiešās garantijas vai noteikumus par atbilstību tirdzniecībai vai piemērotību noteiktam nolūkam.

Ja vietējos likumos nav noteikts citādi, 3M kritiena aizsardzības izstrādājumiem tiek nodrošināta viena gada garantija pret ražošanas un materiālu defektiem no brīža, kad tos uzstādījis vai pirmoreiz lietojis sākotnējais īpašnieks.

Ierobežots aizsardzības līdzeklis. Pēc rakstiska iesnieguma 3M, 3M salabos vai aizvieto jebkuru preci, kurai 3M būs konstatējis ražošanas vai materiālu defektu. 3M patur tiesības pieprasīt izstrādājuma nosūtīšanu uz tā ražotni garantijas prasību novērtēšanai. Šī garantija neattiecas uz tādiem izstrādājuma bojājumiem, kas radušies izstrādājuma nolietojšanās, nepareizas lietošanas, apzināti nepareizas lietošanas, pārvadāšanas laikā radušos bojājumu, apkopes neveikšanas vai citu bojājumu dēļ, ko 3M nespēj kontrolēt. Tikai 3M ir tiesīgs izlemt par izstrādājuma stāvokli un garantijas iespējām.

Šī garantija attiecas tikai uz sākotnējo pircēju, un tā ir vienīgā garantija, kas piemērojama 3M kritiena aizsardzības izstrādājumiem. Lūdzu, sazinieties ar 3M klientu apkalpošanas dienestu savā reģionā, lai saņemtu palīdzību.

Atbildības ierobežojums. Tādā apmērā, kā to pieļauj vietējie likumi, 3M neuzņemas nekādu atbildību par netiešiem, gadījuma rakstura, īpašiem vai izrietošiem zaudējumiem, ieskaitot, bet ne tikai ar peļņas zaudēšanu saistītiem zaudējumiem, kas jebkādā veidā saistīti ar izstrādājumiem, neskatoties uz izvirzīto juridisko teoriju.

3M™ DBI-SALA® Muurbevestiging davitbasis

Gebruiksaanwijzing

Formuliernummer: 5903663, Revisie: F

Dit product is gecertificeerd volgens of voldoet aan de volgende normen en voorschriften. Certificering en conformiteit kunnen beperkt zijn tot individuele productmodellen of toepassingen. Zie *Certificeringen* voor meer informatie.

- OSHA 29 CFR 1910.140, 1926.502
- EN 795:2012 (Type A)
- CEN/TS 16415:2013 (Type A)
- EN 1496:2006 (bepaling 4.6)
- AS/NZS 5532:2013

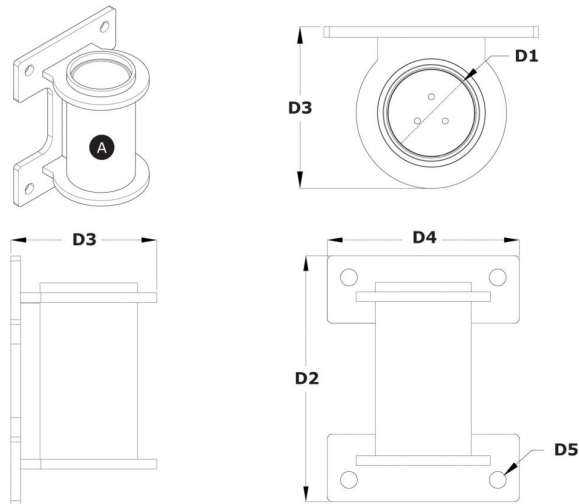
⚠WARNING:

Raadpleeg de productspecificatietabellen voor de identificatie van productcodes. Zie het productoverzicht voor meer productinformatie.

Sommige componenten zijn mogelijk niet individueel gecertificeerd en kunnen assemblage vereisen om te voldoen aan certificeringsvereisten.

Afbeelding 1 - Productoverzicht

Model	Stijl	D1	D2	D3	D4	D5	Productgewicht
8000101	A	10,2 cm (4,0 inch)	32,4 cm (12,75 inch)	19,0 cm (7,5 inch)	25,4 cm (10,0 inch)	22,2 mm (0,88 inch)	15,7 kg (34,0 lb.)
8000102	A	10,2 cm (4,0 inch)	32,4 cm (12,75 inch)	19,0 cm (7,5 inch)	25,4 cm (10,0 inch)	22,2 mm (0,88 inch)	15,7 kg (34,0 lb.)



Veiligheidsinformatie

Lees alle veiligheidsinformatie in deze instructies voordat u dit product gebruikt. Zorg ervoor dat u alle informatie hebt begrepen en volg de instructies op. HET NALATEN HIERVAN KAN ERNSTIG LETSEL OF DE DOOD TOT GEVOLG HEBBEN.

Deze instructies dienen aan de gebruiker van de uitrusting te worden verstrekt. Bewaar deze instructies zodat u ze later kunt raadplegen.

Veiligheidsinformatie

Formulier: 5908277, Revisie: B

Beoogd gebruik

Dit product wordt gebruikt als onderdeel van een compleet valbeveiligingssysteem.

Gebruik voor andere toepassingen, inclusief (maar niet beperkt tot) niet-goedgekeurde verplaatsing van materialen, vrijetijdsactiviteiten, sport of andere activiteiten die niet in de gebruiksinstructies omschreven staan, wordt niet goedgekeurd door 3M en kan leiden tot een ongeval met ernstig letsel of de dood tot gevolg.

Dit product mag uitsluitend worden gebruikt door daartoe opgeleide gebruikers en mag uitsluitend worden ingezet voor arbeidsdoeleinden.

Waarschuwing:

Dit product wordt gebruikt als onderdeel van een compleet valbeveiligingssysteem.

Alle gebruikers moeten volledig zijn opgeleid in de veilige installatie en bediening van hun volledige valbeveiligingssysteem. Een verkeerd gebruik van dit product kan leiden tot een ongeval met ernstig letsel of de dood tot gevolg. Raadpleeg alle gebruikershandleidingen en aanbevelingen van de fabrikant voor de juiste keuze, bediening, installatie, onderhoud en service. Raadpleeg uw leidinggevende of neem contact op met 3M Technical Services voor meer informatie.

- **Doe het volgende om de risico's te beperken die gepaard gaan met het werken met een reddingssysteem voor toegangsverschaffing tot besloten ruimten, waarbij nalatigheid kan leiden tot ernstig letsel of een dodelijk ongeval:**
 - Inspecteer het product voor elk gebruik en na elke val, in overeenstemming met de procedures die in deze instructies zijn gespecificeerd.
 - Als inspectie een onveilige of defecte toestand uitwijst, mag u het product niet meer gebruiken en dient u het te markeren met de tekst 'NIET GEBRUIKEN'. Vernietig of repareer het product zoals vereist in deze instructies.
 - Systemen die onderworpen zijn geweest aan valstop- of botskrachten, moeten onmiddellijk buiten gebruik worden gesteld. Vernietig of repareer het product zoals vereist in deze instructies.
 - Zorg ervoor dat valbeveiligingssystemen die zijn samengesteld uit componenten van verschillende fabrikanten compatibel zijn en voldoen aan alle toepasselijke valbeveiligingsvoorschriften, normen of vereisten. Raadpleeg altijd een bevoegde persoon voordat u deze systemen gebruikt.
 - Het product mag alleen worden geïnstalleerd zoals beschreven in de instructiehandleidingen. Installaties en gebruik dat buiten het bereik van de instructie valt moet schriftelijk door 3M zijn goedgekeurd.
 - Sluit valbeveiligingssystemen uitsluitend aan op het aangewezen verbindingspunt op het product.
 - Zorg er vóór de installatie voor dat de installatiemethoden en het product geen interferentie veroorzaken met elektrische leidingen, gasleidingen of andere kritieke materialen of systemen.
 - Zorg ervoor dat het product correct is geconfigureerd en geïnstalleerd voor een veilige werking, zoals beschreven in deze instructies.
 - Verdraai de reddingslijn niet en leg er geen knopen in. Zorg ervoor dat de reddingslijn niet in de knoop raakt en altijd aangespannen blijft.
 - Overschrijd het aantal toegestane gebruikers zoals omschreven in deze instructies niet.
 - Wees voorzichtig bij het installeren, gebruiken en verplaatsen van het product aangezien de bewegende delen potentiële afknelpunten kunnen creëren.
 - Indien van toepassing moeten uitschakelprocedures worden gevolgd.
 - Verbind u niet aan het systeem wanneer het wordt verplaatst of geïnstalleerd.
- **Doe het volgende om de risico's te beperken die gepaard gaan met het werken op hoogte, waarbij nalatigheid kan leiden tot een ongeval met ernstig letsel of de dood tot gevolg:**
 - Uw gezondheid en lichamelijke conditie moeten u in staat stellen veilig op hoogte te werken en bestand te zijn tegen alle krachten die gepaard gaan met een valstop. Raadpleeg uw arts als u twijfelt of u in staat bent om deze uitrusting te gebruiken.
 - Overschrijd nooit de toelaatbare capaciteit van uw valbeveiligingsmiddelen.
 - Overschrijd nooit de maximale vrijevalafstand van uw valbeveiligingsmiddelen.
 - Gebruik geen valbeveiligingsmiddelen die afgekeurd is of als u zich zorgen maakt over het gebruik of de geschiktheid van deze middelen. Neem bij vragen contact op met klantenservice van 3M.
 - Sommige combinaties van subsystemen en componenten kunnen de werking van deze uitrusting nadelig beïnvloeden. Gebruik uitsluitend koppelingen die onderling geschikt zijn. Neem contact op met de klantenservice van 3M voordat u deze apparatuur gebruikt in combinatie met andere componenten of subsystemen dan die in de gebruiksinstructies beschreven staan.
 - Wees extra voorzichtig bij het werken in de buurt van bewegende machines, op plaatsen met elektrische gevaren, extreme temperaturen, chemische gevaren, explosieve of giftige gassen, scherpe randen, ruwe of schurende oppervlakken of onder hoger geplaatste voorwerpen die op u of uw valbeveiligingsmiddelen kunnen vallen.
 - Zorg ervoor dat het gebruik van uw product is afgestemd op de gevaren die in uw werkomgeving aanwezig zijn.
 - Zorg ervoor dat er voldoende vrije valruimte is bij het werken op hoogte.
 - Wijzig of verander uw valbeveiligingsmiddelen nooit. Alleen 3M, of partijen die door 3M schriftelijk worden gemachtigd, mogen reparaties uitvoeren aan uitrustingen die door 3M zijn vervaardigd.
 - Voordat u valbeveiligingsmiddelen gebruikt, moet u ervoor zorgen dat er een schriftelijk reddingsplan is om snelle redding te kunnen bieden als zich een valincident voordoet.
 - Laat na een val de betreffende werknemer onmiddellijk door een arts onderzoeken.
 - Gebruik uitsluitend een volledig lichaamsharnas voor valstop toepassingen. Gebruik geen lichaamsgordel.
 - Minimaliseer het risico op pendulevallen door zo recht mogelijk onder het ankerpunt te werken.
 - Bij het trainen met dit product moet een secundair valbeveiligingssysteem worden gebruikt. Leerlingen mogen niet worden blootgesteld aan onbedoeld valgevaar.
 - Draag altijd geschikte persoonlijke beschermingsmiddelen bij het installeren, gebruiken en inspecteren van het product.
 - Werk nooit onder een hangende lading of werknemer.
 - Zorg ervoor dat u te allen tijde aangelijnd blijft tijdens het werken op hoogte.

Productoverzicht

Zorg er altijd voor dat u de nieuwste versie van uw 3M-handleiding gebruikt. Ga naar www.3m.com/userinstructions of neem contact op met de klantenservice van 3M voor bijgewerkte handleidingen.

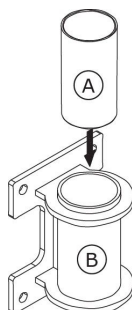
Noteer voordat u deze uitrusting gebruikt de productgegevens van het ID-label in het 'Inspectie- en onderhoudslogboek' achter in deze handleiding.

In afbeelding 1 ziet u de beschikbare productmodellen. Davitbases dienen om het davitsysteem vast te zetten aan de grond. De davit wordt vastgezet aan de basis en fungeert als een verstelbaar, beweegbaar verankeringspunt voor de gebruiker. Zie de instructies van de fabrikant van de compatibele davit of het compatibele davitsysteem voor meer informatie over systeemtoepassingen.

U ziet in afbeelding 2 de belangrijkste onderdelen van de leverbare productmodellen. De davitbasis bestaat uit twee delen: een binnenvoering (A) en een davitmof (B). De binnenvoering zorgt ervoor dat een vastgezette davit vrij kan draaien binnen de davitmof. De mof is voorzien van een bevestigingsplaat voor het vastzetten van de davitbasis aan een structuur.

Elk productmodel heeft zijn eigen specificaties, zoals weergegeven in Afbeelding 1. Zie productspecificatietabellen voor meer informatie.

Afbeelding 2 - Componenten



Productspecificatietabellen

Systemspecificaties

Gebuikerscapaciteit:	Zie de instructies van de fabrikant van compatibele davitmodellen voor meer informatie over de systeemcapaciteit.
Normen:	Elk productmodel is gecertificeerd volgens of voldoet aan de toepasselijke normen en voorschriften die worden vermeld in afbeelding 1. Als er geen zijn gespecificeerd, dan zijn alle normen en voorschriften van toepassing die worden vermeld op de omslag.

Componentspecificaties

Referentie in afbeelding 2	Onderdeel	Materialen
A	Binnenvoering	Polyethyleen met hoge dichtheid
B	Davitmof	8000101: Gegalvaniseerd koolstofstaal
		8000102: Roestvrij staal

1.0 Producttoepassing

1.1 Doel: Davitsystemen worden gebruikt als onderdeel van een mobiel valbeschermingssysteem. De montage en componenten verschillen van systeem tot systeem. Zie voor meer informatie over systeemtoepassingen het "Productoverzicht" en de hoofdstukken over installatie of gebruik.

1.2 Toezicht: Het gebruik van deze uitrusting moet plaatsvinden onder toezicht van een bevoegde persoon. Installatie van deze uitrusting dient plaats te vinden onder toezicht van een bevoegde persoon. Een bevoegde persoon moet controleren dat de constructie van de installatie voldoet aan de lokale en landelijke normen. Een bevoegde persoon moet aanbevelingen doen over de correcte bevestigingsmiddelen en de correcte plaatsing van de davitbasis.

1.3 Wederverkoop en distributie: Als dit product opnieuw verkocht wordt buiten het oorspronkelijke land van bestemming, dient de wederverkoper deze instructies te leveren in de taal van het land waarin het product gebruikt gaat worden.

1.4 Training: Deze uitrusting moet worden geïnstalleerd en gebruikt door personen die getraind zijn in de juiste toepassing ervan. Deze instructies moeten worden gebruikt als onderdeel van een trainingsprogramma voor medewerkers zoals dat vereist wordt door nationale, regionale of lokale normen. Het is de verantwoordelijkheid van de gebruikers en installateurs van deze uitrusting om zich ervan te verzekeren dat ze deze instructies kennen, getraind zijn in het juiste gebruik en de verzorging van de apparatuur, en dat ze zich bewust zijn van de gebruikskennmerken, toepassingsbeperkingen en de gevolgen van enig onjuist gebruik van deze uitrusting.

1.5 Reddingsplan: Wanneer deze uitrusting en verbindende subsystemen worden gebruikt, dient de werkgever te beschikken over een geschreven reddingsplan. Ook moet hij de middelen hebben om het reddingsplan te implementeren en te communiceren naar gebruikers, gemachtigde personen en reddingswerkers. Het wordt aanbevolen dat een getraind reddingsteam ter plekke aanwezig is. Teamleden moeten de uitrusting en technieken krijgen om een succesvolle reddingsactie te verrichten. Er moet op periodieke basis training worden gegeven om ervoor te zorgen dat de kennis van de reddingswerkers actueel blijft. Reddingswerkers moeten deze instructies ontvangen. Tijdens het reddingsproces moet er te allen tijde visueel contact of een andere manier van communicatie zijn met het slachtoffer.

2.0 Systeemvereisten

2.1 Verankeringsstructuur: De verankeringsstructuur waarmee dit product wordt vastgezet, moet bestand zijn tegen alle vereiste belastingen die zijn toegestaan voor het valbeveiligingssysteem. Zie paragraaf 4 voor meer informatie.

2.2 Capaciteit: De gebruikerscapaciteit van een compleet valstopstelsel wordt beperkt door de component met de laagste nominale maximale capaciteit. Als uw aangekoppelde subsysteem bijvoorbeeld een capaciteit heeft die kleiner is dan uw harnas, moet u voldoen aan de capaciteitsvereisten van uw aangekoppelde subsysteem. Raadpleeg de instructies van de fabrikant voor elk onderdeel van uw systeem voor capaciteitsvereisten.

2.3 Omgevingsgevaar: Gebruik van deze uitrusting in gebieden met omgevingsgevaren kan aanvullende voorzorgsmaatregelen vereisen, om de mogelijkheid van letsel bij de gebruiker of beschadiging aan de uitrusting te voorkomen. Gevaren kunnen de volgende omvatten, maar zijn niet beperkt tot: extreme hitte, chemicaliën, corrosieve omgevingen, hoogspanningsleidingen, explosieve of giftige gassen, bewegende machines, scherpe randen en bovenhoofdse materialen die kunnen vallen en de gebruiker of apparatuur kunnen raken. Neem contact op met de klantenservice van 3M voor meer informatie.

2.4 Gevaren voor de reddingslijn: Zorg ervoor dat de reddingslijn vrij blijft van alle gevaren, inclusief, maar niet beperkt tot: verstrengeling met gebruikers, andere medewerkers, bewegende machines, andere objecten in de omgeving of hoger geplaatste voorwerpen die op de reddingslijn of gebruikers kunnen vallen.

2.5 Compatibiliteit van onderdelen: 3M-uitrusting is ontworpen voor gebruik met 3M-apparatuur. Het gebruik met andere apparatuur dan die van 3M moet worden goedgekeurd door een bevoegd persoon. Vervangingen door niet-goedgekeurde apparatuur kunnen de compatibiliteit van de apparatuur in gevaar brengen en kunnen de veiligheid en betrouwbaarheid van uw valbeveiligingssysteem aantasten. Lees en volg alle instructies en waarschuwingen voor alle apparatuur voor gebruik.

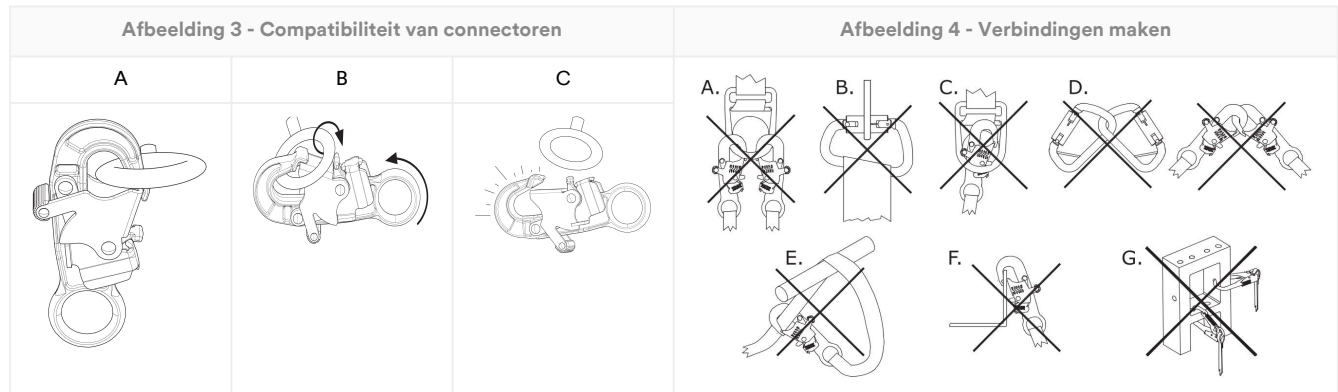
2.6 Compatibiliteit van connectoren: Verbindingen zijn compatibel met verbindingselementen wanneer de grootte en vorm van een van beide componenten er niet voor zorgt dat de connector onbedoeld opengaat, ongeacht de oriëntatie. Connectoren moeten voldoen aan de geldende normen. Connectoren moeten tijdens gebruik volledig gesloten en vergrendeld zijn.

3M-connectoren (veerringhaken en karabijnhaken) zijn ontworpen om alleen gebruikt te worden zoals in iedere instructiehandleiding vermeld staat. Zorg ervoor dat connectoren compatibel zijn met de systeemcomponenten waarop ze zijn aangesloten. Gebruik geen apparatuur die niet compatibel is. Het gebruik van niet-compatibele componenten kan ertoe leiden dat de connector onbedoeld losraakt. Zie de afbeelding ter referentie. Als het verbindingselement waaraan de

connector bevestigd wordt, te klein of onregelmatig van vorm is, kan er een situatie optreden waarbij het verbindingselement kracht uitoefent op de sluiting van de connector (A). Door deze kracht zou de sluiting open kunnen gaan (B), waarbij de connector loskomt van het verbindingselement (C).

2.7 Verbindingen maken: Alle verbindingen moeten compatibel zijn qua grootte, vorm en sterkte. Zie de afbeelding voor voorbeelden van onjuiste verbindingen. Bevestig veerringhaken of karabijnhaken niet:

1. Aan een D-ring waaraan al een andere connector bevestigd is.
2. Op een manier waardoor er een belasting op de opening komt te staan. Veerringhaken met grote keel mogen niet worden aangesloten op D-ringen of andere verbindingselementen, tenzij de veerringhaak een poortsterkte heeft van 16 kN (3600 lbf) of meer.
3. In een foutieve verbinding, waarbij de grootte of vorm van de connector of het verbindingselement niet compatibel is en zonder visuele bevestiging volledig verbonden lijken.
4. Aan elkaar.
5. Direct aan de harnasband, het singelband beenmateriaal of de terugbindlijn (tie-back), tenzij een dergelijke verbinding uitdrukkelijk wordt toegestaan in de instructies van de fabrikant.
6. Op een object waarvan de grootte of vorm het niet mogelijk maakt om de connector volledig te sluiten en te vergrendelen, of waarbij de connector zou kunnen uitrollen.
7. Op een manier die de connector onder belasting geen correcte positie laat innemen.



3.0 Installatie

3.1 Overzicht: Het installeren van een davitsysteem kan een langdurige procedure zijn met meerdere stappen. Een effectieve planning en bewustzijn van uw werkomgeving en uw uitrusting helpen enorm bij het zo soepel mogelijk maken van dit proces.

3.2 Planning: Plan uw valbeveiligingssysteem voor u begint met werken. Houd rekening met alle factoren die uw veiligheid voor, tijdens en na een val kunnen beïnvloeden. Houd rekening met alle eisen en beperkingen zoals gedefinieerd in deze instructies.

1. **Scherpe randen:** Vermijd werken op plaatsen waar systeemcomponenten in contact kunnen komen met of schuren tegen onbeschermde scherpe randen en schurende oppervlakken. Alle scherpe randen en schurende oppervlakken moeten worden afgedekt met beschermend materiaal.
2. **Compatibiliteit:** Bij het installeren van uw systeem is het belangrijk dat u de juiste compatibele componenten gebruikt. Elk productmodel is geschikt voor gebruik met een specifieke set productmodellen of ontwerpen.

Op de davitbasis kunnen ook verlengstukken van de davitmast worden geplaatst die compatibel zijn met de genoemde davits.

Compatibele davitmodellen	Gebruikersinstructie voor davit
8000107	5908417
8000108	5908417
8000130	5908364
8000131	5908364

3.3 De davitbasis installeren: Installeer de davitbasis volgens de instructies voor het productmodel.

Het oppervlak van de verankeringsconstructie moet voor installatie van de davitbasis worden vrijgemaakt van vuilresten.

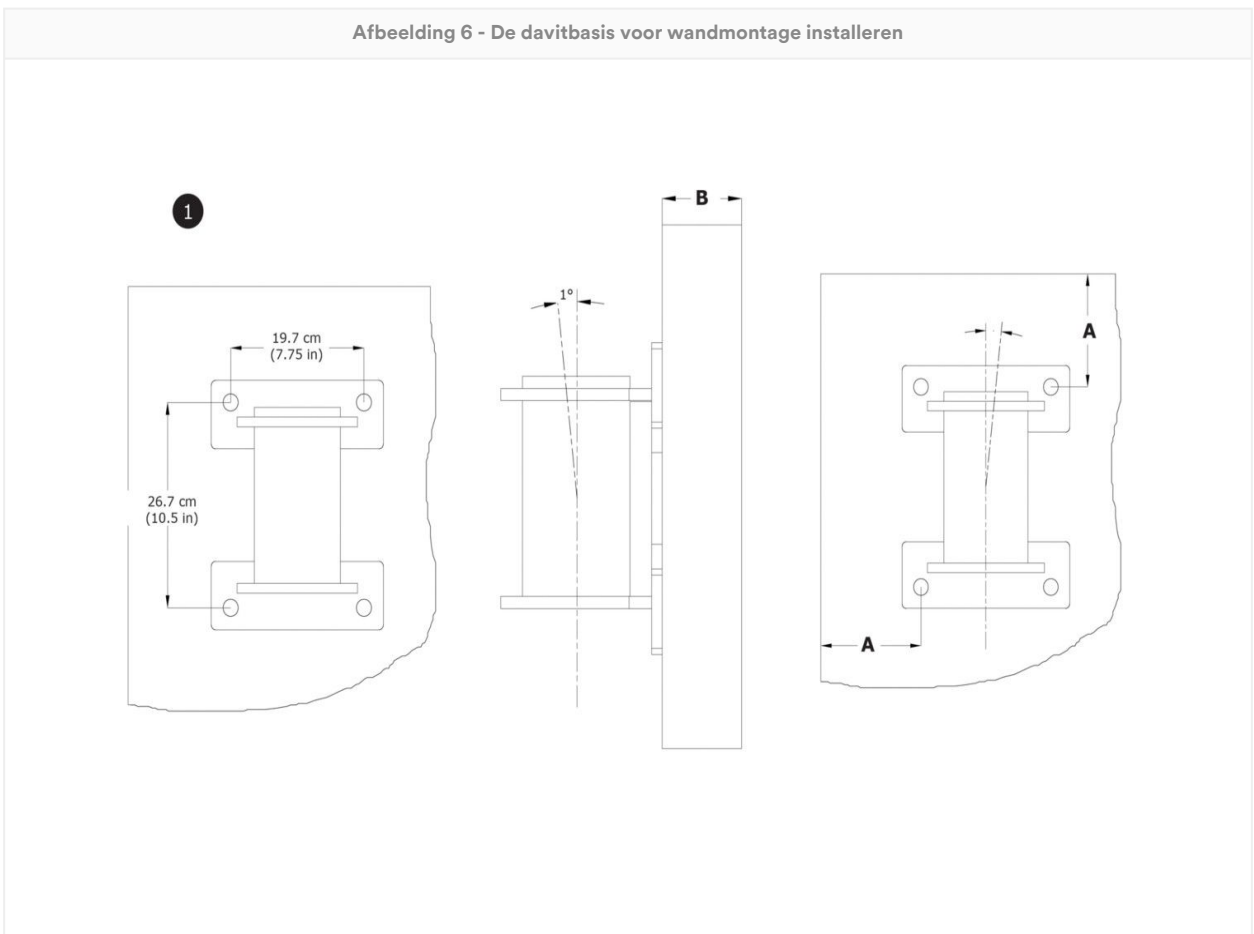
A. Davitbasis voor wandbevestiging: De davitbasis moet voor gebruik worden voorbereid.

1. **Bereid de locatie voor.** Selecteer een geschikt montageoppervlak voor het installeren van de davitbasis en bepaal vervolgens waar de basis moet worden geïnstalleerd. Er moet voldoende afstand tot de rand (A) en materiaaldikte (B) zijn om de sterktevereisten voor uw constructie en systeem te ondersteunen. Markeer en boor vervolgens alle montagegaten op de, in de documentatie van de fabrikant van de bevestigingen gespecificeerde, diameter en diepte.

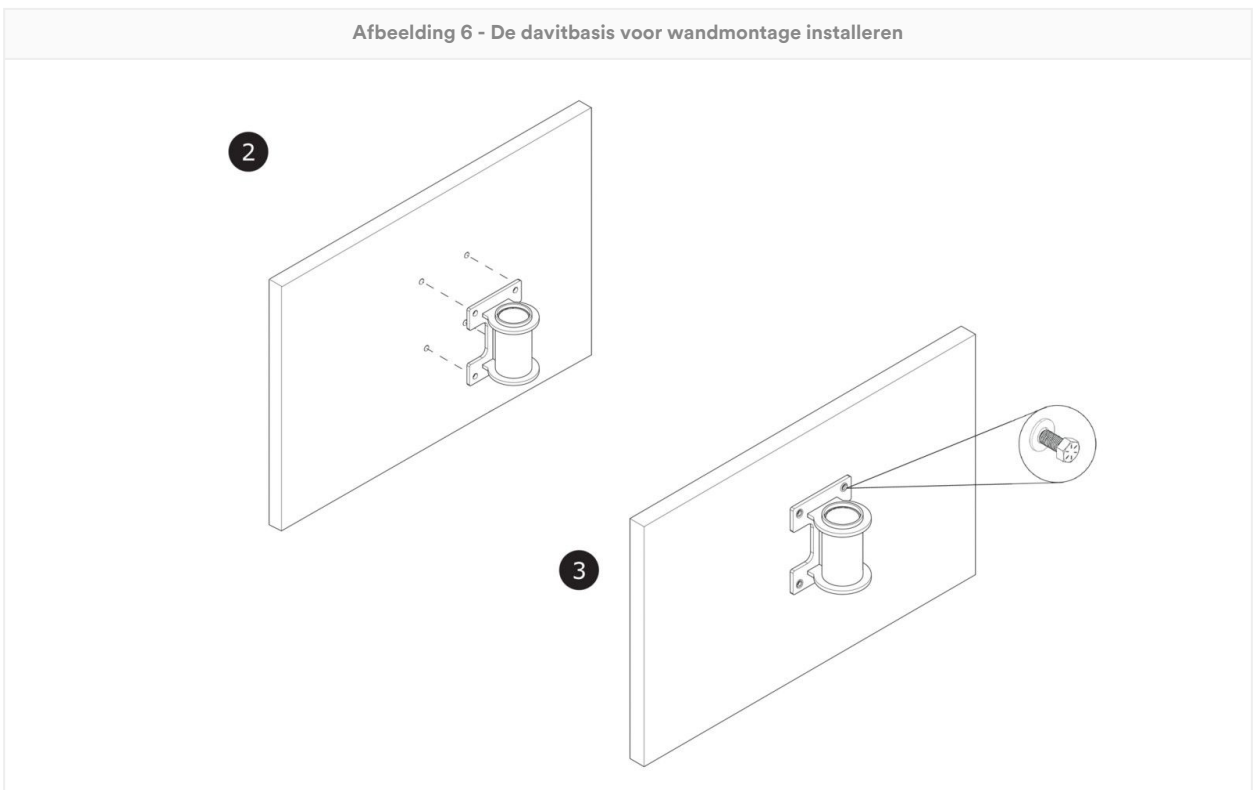
De davitbasis moet op een vlakke, verticale ondergrond worden geïnstalleerd.

2. **Plaats de davitbasis.** Lijn de gaten in de bevestigingsplaat uit met de geboorde gaten. De davitbasis moet binnen plus of min 1 graad van verticaal geplaatst worden.
3. **Zet de davitbasis vast.** Zet de davitbasis vast met de geselecteerde bevestigingsmiddelen, zoals aangegeven in de instructies van de fabrikant van de bevestigingsmiddelen.

Afbeelding 6 - De davitbasis voor wandmontage installeren



Afbeelding 6 - De davitbasis voor wandmontage installeren



3.4 De davit vastzetten: Nadat de davitbasis is geïnstalleerd, kan de gebruiker de davitarm of -mast vastzetten aan de basis. De davit moet worden vastgezet aan de bevestigingspaal of in de huls van de davitbasis, afhankelijk van de gebruikte davitbasis. Controleer of de davit goed vastzit en of eventuele geleiders of borgpennen op de juiste manier zijn gebruikt. Zie de instructies van de fabrikant van uw davit of davitsysteem voor meer informatie.

4.0 Gebruik

4.1 Vóór elk gebruik: Controleer of uw werkgebied en valbeveiligingssysteem voldoen aan alle criteria die in deze instructies zijn gedefinieerd. Controleer of er een formeel reddingsplan aanwezig is. Inspecteer het product volgens de 'Gebruikers'-inspectiepunten zoals gedefinieerd in het 'Logboek voor inspectie en onderhoud'. Als de inspectie een onveilige situatie of defect aan het licht brengt of als er twijfel bestaat over de veiligheid van het product, moet u dit onmiddellijk buiten gebruik stellen. Markeer het product duidelijk met 'NIET GEBRUIKEN'. Zie paragraaf 5 voor meer informatie.

4.2 Verankering: Naast de productcapaciteit moet bij elk valbeveiligingssysteem rekening worden gehouden met de sterkte van eventuele ondersteunende constructies of componenten.

1. **Verankeringsconstructie:** De verankeringsstructuur waarmee dit product wordt vastgezet, moet bestand zijn tegen alle vereiste belastingen die voor het valbeveiligingssysteem zijn toegestaan.

Momentbelasting	15,41 kN*m (136.400 in-lb.)
-----------------	-----------------------------

2. **Ankerverbindingspunten:** De ankerverbindingspunten die bij het product worden gebruikt, moeten bestand zijn tegen alle belastingen die door het product worden uitgeoefend.
3. **Bevestigingsmateriaal:** Alle bevestigingen waarmee het product op zijn plaats wordt gehouden, moeten sterk genoeg zijn om het product tijdens het gebruik vast te houden. Zie de instructies van de fabrikant van de bevestigingen voor meer informatie.

Uittrekkraft bevestigingen	35,59 kN (8000 lbf)
Schuifsterkte per bevestigingsmiddel	22,2 kN (5000 lbf)

4.3 Na een val: Als de apparatuur is blootgesteld aan een valstop of aan slagkracht, moet u het onmiddellijk buiten gebruik stellen. Markeer het duidelijk met de tekst "NIET GEBRUIKEN". Zie paragraaf 5 voor meer informatie.

4.4 Materiaalhantering: 3M staat het gebruik van dit product toe voor het hanteren van materiaal in overeenstemming met de aanwijzingen. Lokale voorschriften of normen kunnen aanvullende beperkingen opleggen of kunnen het gebruik van valbeveiligingsmiddelen voor het hanteren van materiaal voorschrijven.

⚠CAUTION:

Dit product moet worden gebruikt met een compatibele davit om voor materiaaltransport te kunnen worden ingezet. Bevestig een lading nooit rechtstreeks op de davitbasis.

Voordat u de materiaallast vastzet, moet u controleren of deze is geprepareerd voor transport.

Zet dit product nooit gelijktijdig vast aan materialen en gebruikers.

Een product dat is gebruikt voor het hanteren van materiaal moet worden geïnspecteerd door een bevoegde persoon voordat het opnieuw wordt gebruikt. Lokale voorschriften of normen kunnen beperkingen opleggen voor het schakelen tussen gebruik voor personeel en gebruik voor het hanteren van materiaal.

1. **Zet de davit vast.** Maak de davit vast aan de davitbasis, zoals aangegeven in de gebruikersinstructies.
2. **Bevestig een aansluitend subsysteem aan de davit.** Zie de instructies van de fabrikant voor uw davit voor meer informatie.
3. **Bevestig de reddingslijn aan uw lading.** Beweeg de lading materiaal zo nodig omlaag of omhoog.

Capaciteit materiaalhantering

340 kg (750 lb)

5.0 Inspectie

Nadat de uitrusting buiten gebruik is gesteld, mag deze niet opnieuw in gebruik worden genomen totdat een bevoegde persoon schriftelijk heeft bevestigd dat dit aanvaardbaar is.

5.1 Inspectiefrequentie: Het product moet voor elk gebruik worden geïnspecteerd door de gebruiker en bovendien door een bevoegde persoon anders dan de gebruiker met de hieronder genoemde tussenpozen. Bij een hogere frequentie van het gebruik van de uitrusting en zwaardere omstandigheden moet de frequentie van inspecties door de bevoegde persoon mogelijk worden verhoogd. De frequentie van deze inspecties moet worden bepaald door de bevoegde persoon volgens de specifieke omstandigheden van de werkplek.

Toepasselijke norm of regio	Vereiste frequentie van inspecties door een bevoegde persoon
ANSI en OSHA	Eenmaal per jaar
EN-normen	Eenmaal per jaar
AS/NZS	Eenmaal per jaar

5.2 Inspectieprocedures: Inspecteer dit product volgens de procedures in het 'Logboek voor inspectie en onderhoud'. De documentatie van elke inspectie moet worden bijgehouden door de eigenaar van deze apparatuur. Een inspectie- en onderhoudslogboek moet in de buurt van het product worden geplaatst of anderszins gemakkelijk toegankelijk zijn voor gebruikers. Het wordt aanbevolen om het product te markeren met de datum van de volgende of laatste inspectie.

5.3 Defecten: Als het product niet opnieuw in gebruik kan worden genomen vanwege een bestaand defect of een onveilige toestand, moet het product worden vernietigd of naar 3M of een door 3M geautoriseerd servicecentrum worden gestuurd voor reparatie.

5.4 Levensduur van het product: De functionele levensduur van het product wordt bepaald door de werkomstandigheden en het onderhoud. Zolang het product bij inspectie aan de criteria voldoet, kan het in gebruik blijven.

6.0 Onderhoud, opslag en reparatie

Uitrusting die onderhoud nodig heeft of gepland is voor onderhoud, moet worden gemarkeerd met de tekst 'NIET GEBRUIKEN'. Deze uitrustingslabels mogen niet worden verwijderd voordat onderhoud is uitgevoerd.

6.1 Reinigen: Reinig periodiek de metalen onderdelen van het product met warm water en een milde zeepoplossing. Spoel het product af met schoon water en laat het vervolgens aan de lucht drogen. Voor meer informatie verwijzen wij u naar het technisch bulletin op onze website: <https://www.3M.com/FallProtection/Mechanical-Device-Cleaning>

6.2 Reparatie: Alleen 3M of partners die hiervoor schriftelijk door 3M zijn geautoriseerd, mogen deze apparatuur repareren.

6.3 Opslag en transport: Bewaar en vervoer het product in een koele, droge, schone omgeving, beschermd tegen direct zonlicht. Vermijd plekken waar chemische dampen kunnen voorkomen. Inspecteer de onderdelen grondig na een langdurige opslag.

Bases die permanent zijn geïnstalleerd, mogen de werklocatie niet verlaten. Andere componenten kunnen worden verwijderd voor opslag of transport, maar de kraanbasis moet blijven staan.

⚠WARNING:

Plotselinge overgangen tussen warme en extreem koude omgevingen kunnen gevolgen hebben voor de prestaties van de apparatuur beïnvloeden. Mechanische apparaten (zoals zelfintrekbare apparaten, lieren, terughaalapparatuur, klimmoffen, enz.) moeten worden aangepast voor gebruik in extreme kou of hitte door ze op te slaan bij een temperatuur die vergelijkbaar is met de werkomgeving. Voer voor gebruik altijd een inspectie van de apparatuur uit in de werkomgeving.

7.0 Labels en markeringen

7.1 Overzicht: De afbeelding "Productlabels" bevat een illustratie van de labels en markeringen die op het product aanwezig zijn. Zie hieronder voor een overzicht van de informatie die met elk label en elke markering wordt verstrekt.

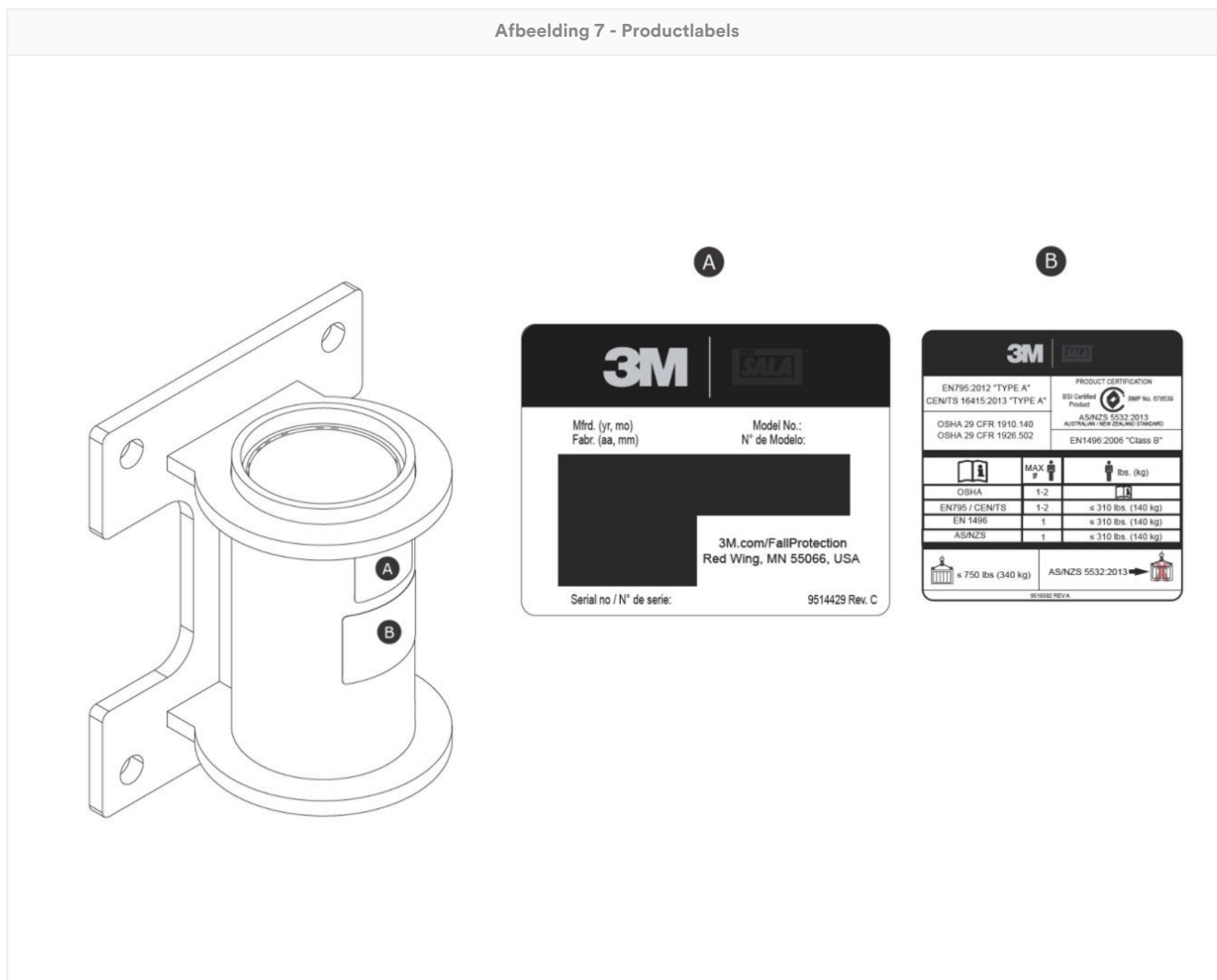
NOTICE:

De afbeeldingen van labels zijn representatief bedoeld. Raadpleeg uw productlabels voor specifieke informatie.

Ontbrekende of beschadigde labels moeten worden vervangen. Alle labels moeten volledig leesbaar zijn.

A	Productspecificatielabel
B	ID-label

Afbeelding 7 - Productlabels



Woordenlijst

Definitie: De volgende termen en definities worden in deze handleiding gebruikt:

Bezoek onze website voor een uitgebreide lijst met termen en definities: www.3m.com/FallProtection/ifu-glossary

- **Gemachtigd persoon:** Een persoon die door de werkgever aangewezen is om werk uit te voeren op een locatie waar de persoon wordt blootgesteld aan valgevaar.

- **Bevoegde persoon:** Een persoon die in staat is om bestaande en voorspelbare gevaren in de werkomgeving of -omstandigheden te identificeren die onhygiënisch, gevaarlijk of riskant zijn voor werknemers, en die bevoegd is om direct corrigerende acties te ondernemen om gevaren te elimineren.
- **Valstopstelsysteem:** Een verzameling valbeveiligingsuitrustingen die is geconfigureerd om de gebruiker te beschermen bij een val.
- **Gekwalificeerd persoon:** Een persoon met een erkend diploma, certificaat of professionele status of die door uitgebreide kennis, training en ervaring met succes heeft aangetoond dat hij/zij in staat is problemen met betrekking tot valbeveiligings- en reddingssystemen op te lossen of te verhelpen voor zover vereist door de toepasselijke nationale, regionale en lokale regelgeving.
- **Reddingssysteem:** Een verzameling valbeveiligingsmiddelen die zijn geconfigureerd om een persoon van een gevaarlijke naar een veilige locatie te brengen. Vrije val is niet toegestaan.
- **Reddingswerker:** Iemand die het reddingssysteem gebruikt om een reddingsactie uit te voeren.
- **Valbeperkingsstelsysteem:** Een verzameling valbeveiligingsmiddelen die zijn geconfigureerd om te voorkomen dat de gebruiker valgevaar riskeert. Vrije val is niet toegestaan.
- **Gebruiker:** Een persoon die activiteiten uitvoert terwijl deze wordt beschermd door een valbeveiligingssysteem.
- **Werkpositioneringssysteem:** Een verzameling valbeveiligingsuitrustingen die is geconfigureerd om een gebruiker te ondersteunen in een werkpositie.

Logboek voor inspectie en onderhoud

Voor elke inspectie moet een kopie van deze tabel worden gebruikt. Noteer de gegevens hieronder.

Fabrikant: 3M Fall Protection

Modelnummer (serienummer):

Aankoopdatum:

Datum van eerste gebruik:

Dit product moet vóór elk gebruik worden geïnspecteerd door de gebruiker. Daarnaast moet een bevoegde persoon, anders dan de gebruiker, deze apparatuur inspecteren met de tussenpozen die zijn gespecificeerd in paragraaf 5.

Onderdeel	Inspectieprocedure	Inspectieresultaat (Voldoet of Voldoet niet)
Product (afbeelding 2)	Inspecteer de davitbasis op schade, vervorming, corrosie en roest. Let op scheuren, bochten, deuken of slijtage waardoor de sterkte en werking van het systeem kunnen worden beïnvloed. Wanneer u op corrosie inspecteert, moet u ook kijken naar de verankering, de bevestigingen en de structuur waaraan de verankering is vastgezet.	
	Inspecteer alle bevestigingen op schade of corrosie. Draai ze vast als dat noodzakelijk is.	
	Inspecteer alle bewegende onderdelen op spaanders, scheuren, breuken of versleten gebieden die tijdens gebruik storingen kunnen veroorzaken.	
Labels	Alle labels dienen aanwezig en volledig leesbaar te zijn.	
Valbeveiligingsuitrusting	Extra valbeveiligingsmiddelen die samen met het product worden gebruikt, moeten worden geïnstalleerd en geïnspecteerd volgens de instructies van de fabrikant. Controleer of de sterkteclassificatie van elk van de producten compatibel en voldoende is voor de beoogde toepassing.	

Overzicht van de productinspectie

Als het product een inspectieprocedure niet doorstaat, komt het product niet door de algehele inspectie. Als het product niet door de inspectie komt, moet u het onmiddellijk buiten gebruik stellen. Markeer het product duidelijk met 'NIET GEBRUIKEN'. Zie paragraaf 5 voor meer informatie.

Inspectietype:

Gebruiker

Bevoegde persoon

Algemeen inspectieresultaat:

Geïnspecteerd door:

Inspectiedatum:

Handtekening:

Volgende inspectie op:


Aanvullende opmerkingen:

Certificeringen

Uw product voldoet aan de nationale of regionale normen die staan vermeld op de voorzijde van deze instructies. Certificering en conformiteit kunnen beperkt zijn tot individuele productmodellen of toepassingen.

Raadpleeg voor meer informatie over certificerings- of conformiteitsvereisten de geldende normen en voorschriften die voor uw product zijn vermeld.

Gebruikers op wie de AS/NZS-normen van toepassing zijn, dienen AS/NZS 1891.4 te raadplegen voor selectie-, gebruiks-, onderhouds- en trainingsvereisten.

BSI-gecertificeerd product AS/NZS 5532:2013 Vergunning: BMP 678539	BSI - Head Office Suite 1, Level 1, 54 Waterloo Road Macquarie Park, NSW, 2113 Australië	
--	--	---

Algemene productgarantie, beperkte rechtsmiddelen en beperking van aansprakelijkheid

Garantie: De volgende bepaling vervangt alle garanties of voorwaarden, expliciet of impliciet, inclusief de impliciete garanties of voorwaarden van verkoopbaarheid of geschiktheid voor een bepaald doel.

Tenzij anders is bepaald door lokale wetgeving, zijn valbeschermingsproducten van 3M voorzien van een garantie op fabrieksfouten door fabricage- en materiaalgebreken gedurende een periode van één jaar na de datum van installatie of het eerste gebruik door de oorspronkelijke eigenaar.

Beperkte verhaalsmogelijkheid: Na schriftelijke kennisgeving aan 3M zal 3M eender welk product repareren of vervangen waarvan 3M heeft vastgesteld dat het een fabrieksfout heeft door een fabricage- of materiaalgebrek. 3M behoudt zich het recht voor te eisen dat het product naar de fabriek wordt teruggestuurd voor evaluatie van garantieclaims. Deze garantie dekt geen productschade als gevolg van slijtage, misbruik, verkeerd gebruik, transportschade, nalatigheid in het onderhoud van het product of andere schade waarop 3M geen invloed heeft. 3M is de enige die de staat van het product en de garantiemogelijkheden beoordeelt.

Deze garantie geldt alleen voor de oorspronkelijke koper en is de enige garantie die van toepassing is op de valbeveiligingsproducten van 3M. Neem contact op met de klantendienst van 3M voor uw regio als u assistentie wenst.

Beperking van aansprakelijkheid: Voor zover toegestaan door lokale wetgeving, is 3M niet aansprakelijk voor enige indirecte, incidentele, speciale of gevolgschade, inclusief, maar niet beperkt tot, winstverlies, die op enige wijze verband houdt met de producten, ongeacht de rechtsleer die wordt aangehaald.

3M™ DBI-SALA® veggmontert davitsokkel

Bruksanvisninger

Skjemanummer: 5903663, Revisjon: F

Dette produktet er sertifisert i henhold til eller i samsvar med standarder og forskrifter nedenfor. Sertifisering og samsvar kan være begrenset til enkelte produktmodeller eller bruksområder. Hvis du vil ha mer informasjon, kan du se *Sertifiseringer*.

- OSHA 29 CFR 1910.140, 1926.502
- EN 795:2012 (Type A)
- CEN/TS 16415:2013 (Type A)
- NO 1496:2006 (punkt 4.6)
- AS/NZS 5532:2013

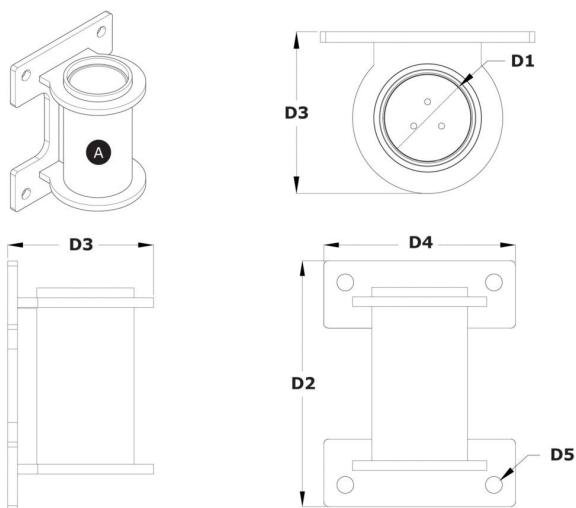
⚠WARNING:

For identifikasjon av produktkoder kan du se tabellene med produktspesifikasjoner. Se produktoversikten for mer produktinformasjon.

Noen komponenter er kanskje ikke sertifisert individuelt og kan kreve montering for å oppfylle sertifiseringskravene.

Figur 1 – Produktoversikt

Modell	Stil	D1	D2	D3	D4	D5	Produktvekt
8000101	A	10,2 cm (4,0 tommer)	12,75 in. (32,4 cm)	19,0 cm (7,5 tommer)	25,4 cm (10,0 tommer)	22,2 mm (0,88 tomme)	15,7 kg (34,0 pund)
8000102	A	10,2 cm (4,0 tommer)	12,75 in. (32,4 cm)	19,0 cm (7,5 tommer)	25,4 cm (10,0 tommer)	22,2 mm (0,88 tomme)	15,7 kg (34,0 pund)



Sikkerhetsinformasjon

Les, forstå og følg all sikkerhetsinformasjon i disse instruksjonene før du tar dette produktet i bruk. UNNLATELSE AV Å GJØRE DETTE KAN FØRE TIL ALVORLIG PERSONSKADE ELLER DØDSFALL.

Disse instruksjonene må gis til brukeren av utstyret. Ta vare på disse instruksjonene for fremtidig referanse.

Sikkerhetsinformasjon

Skjema: 5908277, Revisjon: B

Tiltenkt bruk

Dette produktet brukes som en del av et komplett fallsikringssystem.

Bruk i andre sammenhenger, inkludert, men ikke begrenset til, ikke-godkjent materialhåndtering, fritidsbruk eller idrettsrelaterte aktiviteter, eller andre aktiviteter som ikke er beskrevet i disse instruksjonene, er ikke godkjent av 3M og kan resultere i alvorlig personskade eller dødsfall.

Dette produktet skal bare brukes av opplærte brukere i arbeidsplassanvendelser.

Advarsel

Dette produktet brukes som en del av et komplett fallsikringssystem.

Alle brukere må være fullt opplært i sikker installasjon og betjening av sine komplette fallsikringssystem. Misbruk av dette produktet kan resultere i alvorlig personskade eller dødsfall. Se alle brukerveiledninger og produsentanbefalinger for informasjon om riktig valg, bruk, installasjon, vedlikehold og service. Kontakt din veileder eller 3M Tekniske tjenester for mer informasjon.

- **For å redusere risikoene som er forbundet med å bruke en inngangs- og redningssystem for trange rom som, om de ikke unngås, kan resultere i alvorlig personskade eller død:**
 - Inspiser produktet før hver bruk og etter eventuelle fallhendelser i samsvar med prosedyrene som er spesifisert i disse instruksjonene.
 - Hvis inspeksjonen avdekker en usikker eller defekt tilstand, må produktet øyeblikkelig tas ut av bruk og merkes med teksten «IKKE BRUK». Ødelegg eller reparer produktet i henhold til disse instruksjonene.
 - Ethvert produkt som er blitt belastet som følge av fall eller støtkrefter, må umiddelbart tas ut av bruk og destrueres. Ødelegg eller reparer produktet i henhold til disse instruksjonene.
 - Forsikre deg om at fallsikringssystemer som er satt sammen av komponenter laget av forskjellige produsenter, er kompatible og oppfyller alle gjeldende fallsikringsregler, -standarder eller -krav. Rådfør deg alltid med en kompetent person før du bruker disse systemene.
 - Produktet må bare monteres som beskrevet i brukerveiledningene. Installasjoner og bruk utenfor rammen av disse brukerveiledningene må godkjennes skriftlig av 3M.
 - Fallsikringsundersystemene må bare kobles til de angitte forankringskoblingspunktene på produktet.
 - Før monteringen må du kontrollere at monteringsmetodene og produktet ikke forstyrrer elektriske ledninger, gassledninger eller andre kritiske materialer eller systemer.
 - Forsikre deg om at produktet er riktig konfigurert og montert for sikker bruk som beskrevet i denne bruksanvisningen.
 - Ikke vri, knyt eller la det være slakk i livlinen.
 - Ikke overskrid antall tillatte brukere som er spesifisert i disse instruksjonene.
 - Utvis forsiktighet ved montering, bruk og flytting av produktet da bevegelige deler vil kunne skape potensielle klemmepunkter.
 - Sperre-/avlåsingsprosedyrer må følges når det er aktuelt.
 - Ikke koble deg til systemet mens det transporteres eller monteres.
- **For å redusere risikoen som er forbundet med arbeid i høyden, og som, dersom det ikke unngås, kan resultere i alvorlig personskade eller død:**
 - Din helse og fysiske tilstand må gjøre det mulig for deg å arbeide trygt i høyden og motstå alle krefter forbundet med en fallhendelse. Rådfør deg med legen din hvis du har spørsmål angående din evne til å bruke dette utstyret.
 - Du må aldri overskride tillatt kapasitet for fallsikringsutstyret.
 - Du må aldri overskride maksimal frifallshøyde for fallsikringsutstyret.
 - Ikke bruk fallsikringsutstyr som ikke består inspeksjonen, eller hvis du er bekymret for bruken av eller egnetheten til utstyret. Kontakt 3Ms kundeservice hvis du har spørsmål.
 - Noen delsystemer og delekombinasjoner kan hindre bruken av dette utstyret. Bruk kun kompatible tilkoblinger. Kontakt 3Ms kundeservice før dette utstyret blir brukt sammen med andre komponenter eller delsystemer enn de som beskrives i denne bruksanvisningen.
 - Vær spesielt forsiktig når du arbeider rundt bevegelig maskineri, elektriske farer, ekstreme temperaturer, kjemiske farer, eksplosive eller giftige gasser, skarpe kanter, ru overflater eller i underkant av overhengende materialer som kan falle ned på deg eller fallsikringsutstyret.
 - Forsikre deg om at bruken av produktet er klassifisert for farene i arbeidsmiljøet ditt.
 - Sørg for at det er tilstrekkelig klareringshøyde når du arbeider i høyden.
 - Du må aldri modifisere eller endre på fallsikringsutstyret. Bare 3M eller personer med skriftlig godkjenning kan reparere 3M-utstyr.
 - Før du bruker fallsikringsutstyr, må du sørge for at det finnes en skriftlig redningsplan som legger til rette for en rask redning hvis det inntreffer et falluhell.
 - Hvis et falluhell inntreffer, søk umiddelbart medisinsk hjelp for den arbeideren som har falt.
 - Kun en hel kroppssele skal brukes som fallsikring. Ikke bruk nyrebelte.
 - Begrens pendelen ved å arbeide så rett under forankringspunktet som mulig.
 - Et sekundært fallsikringssystem må brukes ved opplæring med dette produktet. Praktikanter må ikke utsettes for en utilsiktet fallfare.
 - Ha alltid på hensiktsmessig personlig verneutstyr når du installerer, bruker eller inspiserer produktet.
 - Utfør aldri arbeid under en opphengt last eller arbeider.
 - Sørg for at det alltid er 100 % belastning.

Produktoversikt

Forsikre deg alltid om at du bruker den sist reviderte utgaven av 3M-brukerveiledningen. Gå til www.3m.com/userinstructions, eller kontakt 3Ms kundeservice for oppdaterte brukerveiledninger.

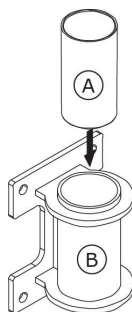
Skriv ned produktinformasjonen fra ID-merket i «Inspeksjons- og vedlikeholdslogg» på baksiden av denne veiledningen, før bruk av utstyret.

Figur 1 viser tilgjengelige produktmodeller. Davitsokler fungerer som den delen av davitsystemet som hjelper til med å feste det til bakken. Daviten er festet til sokkelen mens den fungerer som et justerbart, bevegelig forankringspunkt for brukeren. Se produsentens instruksjoner for kompatibel davit eller kompatibelt davitsystem for mer informasjon om bruksområder for systemet.

Figur 2 viser de viktigste komponentene i de tilgjengelige produktmodellene. Davitsokkelen består av to deler: en fôring (A) og en davithylse (B). Fôringen gjør det mulig for en sikret davit å rotere fritt inne i davithylsen. Hylsen inkluderer en festet monteringsplate for å feste davitsokkelen til en konstruksjon.

Produktmodellene har sine egne spesifikasjoner som oppført i figur 1. Se tabellene med produktspesifikasjoner for mer informasjon.

Figur 2 - Komponenter



Tabeller med produktspesifikasjon

Systemspesifikasjoner

Brukerkapasitet:	Se produsentens instruksjoner for kompatible davitmodeller for mer informasjon om systemkapasitet.
Standarder:	Alle produktmodeller er sertifisert i henhold til, eller oppfyller, gjeldende standarder og forskrifter oppført i figur 1. Hvis ingenting er angitt, gjelder alle standarder og forskrifter som er oppført på omslaget.

Komponentspesifikasjoner

Figur 2 Referanse	Komponent	Materialer
A	Mellomlegg	Polyetylen med høy tetthet
B	Davithylse	8000101: Galvanisert karbonstål
		8000102: Rustfritt stål

1.0 Produktets bruksområde

1.1 Formål: Davitsystemer fungerer som mobile forankringskonstruksjon for fallsikringsystemer. Montering og komponenter vil variere med systemet. For mer informasjon om systemets bruksområder, se "Produktoversikt" og eventuelle avsnitt om montering eller bruk.

1.2 Kontroll: Bruk av dette utstyret må skje under tilsyn av en kvalifisert person. Montering av dette utstyret må skje under tilsyn av en kompetent person. En kvalifisert person må bekrefte at monteringen er i henhold til lokale og nasjonale forskrifter. Festemidler og plassering av davitsokkelen må også godkjennes av en kvalifisert person.

1.3 Videre salg og distribusjon: Hvis dette produktet selges utenfor det opprinnelige destinasjonslandet, må forhandleren stille disse instruksjonene til rådighet på språket i det aktuelle landet der produktet blir brukt.

1.4 Opplæring: Dette utstyret må monteres og brukes av personer som har fått opplæring i riktig bruk av utstyret. Disse instruksjonene skal brukes som en del av en ansatts opplæringsprogram som påkrevd av nasjonale, regionale eller lokale forskrifter. Brukeren og montørene av dette utstyret har ansvar for å gjøre seg kjent med disse instruksjonene, få opplæring i riktig pleie og bruk av dette utstyret, og er klar over bruksegenskaper, bruksbegrensninger og følgene av uriktig bruk av dette utstyret.

1.5 Redningsplan: Ved bruk av dette utstyret og tilkoblede delsystemer må arbeidsgiveren ha en skriftlig redningsplan og redningsutstyr tilgjengelig for å innføre denne samt informere brukere, autoriserte personer og redningsmannskaper om den. Det anbefales å ha et opplært redningsteam på stedet. Teammedlemmer skal forsynes med utstyr og teknikker som er nødvendig for å utføre en vellykket redning. Det bør gis regelmessig opplæring for å sikre at redningspersonellets kunnskaper opprettholdes. Redningsmannskap må få disse instruksjonene. Det skal være visuell kontakt eller kommunikasjon med den som reddes, til enhver tid under redningsprosessen.

2.0 Systemkrav

2.1 Forankring: Forankringskonstruksjonen som sikrer dette produktet må kunne motstå alle nødvendige belastninger som tillatt av fallsikringsystemet. Se del 4 for mer informasjon.

2.2 Kapasitet: Brukerkapasiteten til et komplett fallsikringsystem er begrenset av komponenten med lavest rangerte maksimalkapasitet. Hvis tilkoblingsdelsystemet ditt for eksempel har en kapasitet som er mindre enn selen din, må du overholde kapasitetskravene til tilkoblingsdelsystemet. Se produsentens instruksjoner for hver komponent i systemet for kapasitetskrav.

2.3 Miljøfarer: Bruk av dette utstyret i områder med miljøfarer kan kreve ekstra forholdsregler for å hindre skade på brukeren eller utstyret. Farer kan inkludere, men er ikke begrenset til: høy varme, kjemikalier, etsende miljøer, høyspenningsledninger, eksplosive eller giftige gasser, bevegelige maskiner, skarpe kanter eller høytliggende materialer som kan falle ned på brukeren eller utstyret. Kontakt 3Ms kundeservice for ytterligere avklaring.

2.4 Livlinefarer: Sørg for at livlinen holdes fri for alle farer, inkludert, men ikke begrenset til: sammenfiltring med brukere, andre arbeidere, maskineri i bevegelse, andre gjenstander i nærheten eller støt fra overliggende gjenstander som kan falle på livlinen eller brukerne.

2.5 Komponentkompatibilitet: 3M-utstyr er designet for bruk med 3M-utstyr. Bruk sammen med utstyr fra andre produsenter må godkjennes av en kompetent person. Utskiftninger gjort med ikke-godkjent utstyr, kan sette utstyrets kompatibilitet i fare og kan påvirke sikkerheten og påliteligheten til fallsikringsystemet. Les og følg alle instruksjoner og advarsler for alt utstyr før bruk.

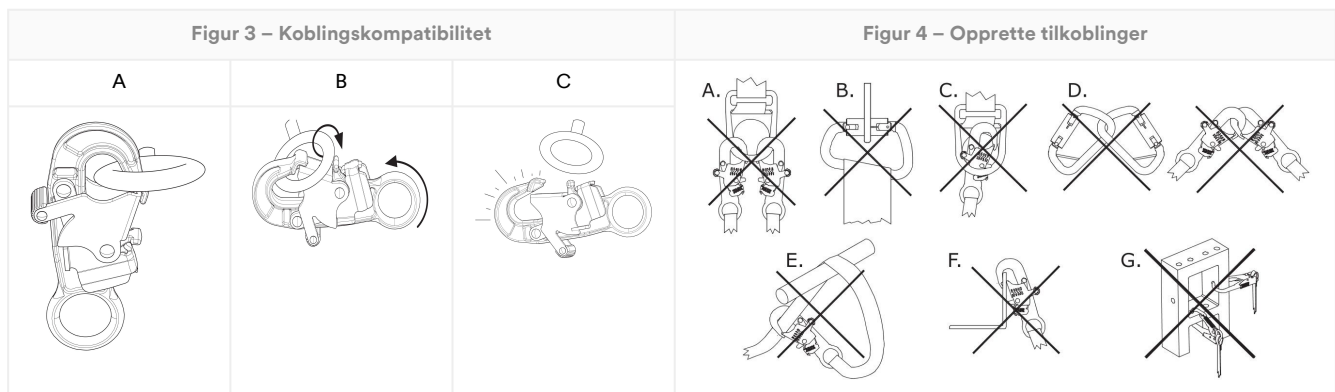
2.6 Koblingskompatibilitet: Koblinger er kompatible med koblingselementer når størrelsen og formen til noen av komponentene ikke fører til at koblingen åpnes utilsiktet, uavhengig av stilling. Koblinger må være i samsvar med gjeldende standarder. Koblinger må være helt lukket og låst under bruk.

Koblinger fra 3M (hurtigkroker og karabinkroker) er kun beregnet på bruk som spesifisert i hver brukerveiledning. Sørg for at tilkoblingene er kompatible med systemkomponentene de er koblet til. Ikke bruk utstyr som ikke er kompatibelt. Bruk av ikke-kompatible komponenter kan føre til at tilkoblingen utilsiktet kobles fra. Se figuren for referanse. Hvis tilkoblingselementet som en tilkobling er festet til, er for lite eller har en ujevn form, kan det oppstå en situasjon hvor tilkoblingselementet overfører kraft på porten til tilkoblingen (A). Denne kraften kan da føre til at festet åpnes (B), og kobler koblingen fra koblingselementet (C).

2.7 Tilkobling: Alle koblingene må være kompatible når det gjelder størrelse, form og styrke. Se figuren for eksempler på feilaktige tilkoblinger. Ikke fest sikkerhets- og karabinkroker:

1. Til en D-ring der det er festet en annen kobling.
2. På en måte som vil føre til belastning på åpningen. Karabinkroker med stor hals skal ikke kobles til D-ringer eller andre koblingselementer, med mindre karabinkroken har en portstyrke på 16 kN (3600 lbf) eller mer.

3. I et falskt feste hvor størrelsen eller formen til den motsvarende tilkoblingen ikke er kompatibel, og hvor manglende visuell bekreftelse gjør at det virker som om krokene er riktig festet.
4. Til hverandre.
5. Direkte på selebånd, stropbenmateriale, eller tie-back-materiale, med mindre en slik tilkobling er eksplisitt tillatt i produsentens instruksjoner.
6. Til et objekt som er formet eller dimensjonert slik at tilkoblingen ikke kan lukkes og låses, eller hvor utrulling kan forekomme.
7. På en måte som gjør at koblingen ikke er korrekt innrettet under belastning.



3.0 Montering

3.1 Oversikt: Montering av et davitsystem kan være en langvarig prosedyre med flere trinn. Effektiv planlegging og bevissthet om arbeidsplassen og utstyret ditt er til stor hjelp for å få denne prosessen til å gå så problemfritt som mulig.

3.2 Planlegging: Planlegg fallsikringssystemet før du begynner å arbeide. Ta høyde for faktorer som kan påvirke sikkerheten din før, under og etter et fall. Ta hensyn til alle krav og begrensninger som defineres i disse instruksjonene.

1. **Skarpe kanter:** Unngå å arbeide der systemkomponenter kommer i kontakt med eller skraper mot ubeskyttede skarpe kanter og slipende overflater. Alle skarpe kanter og slipende overflater må dekket med beskyttende materiale.
2. **Kompatibilitet:** Når du monterer systemet, er det viktig at du bruker kompatible komponenter. Hver produktmodell er kompatibel for bruk med et spesifikt sett med produktmodeller eller design.

Davitsokkelen kan også brukes med eventuelle davitmastforlengelser som er kompatible med de oppførte davitene.

Kompatible davitmodeller	Bruksanvisning for davit
8000107	5908417
8000108	5908417
8000130	5908364
8000131	5908364

3.3 Montere davitsokkelen: Monter davitsokkelen i henhold til instruksjonene som er angitt for din produktmodell.

Før montering av davitsokkelen må eventuelt rusk må fjernes fra overflaten på forankringskonstruksjonen.

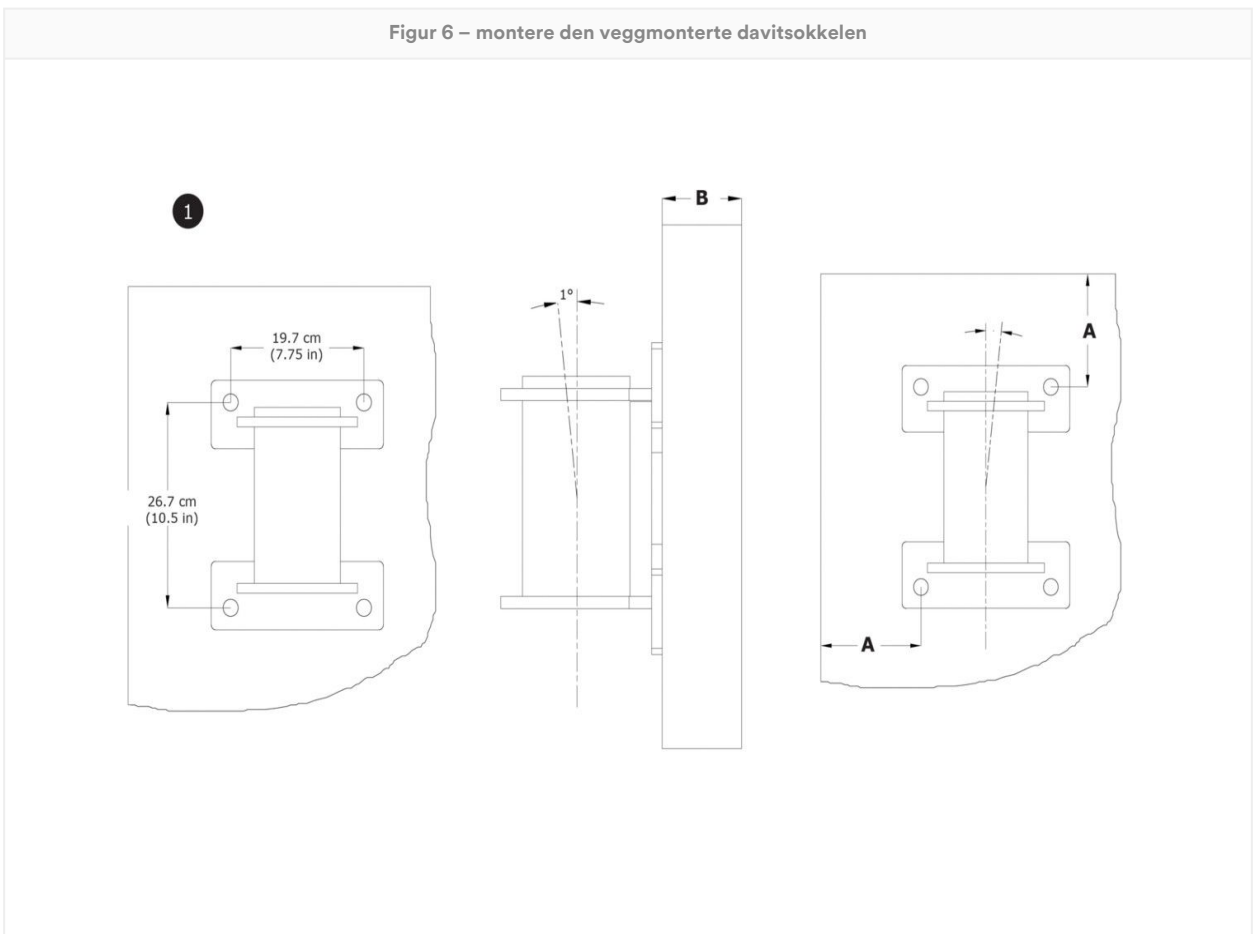
A. Veggmontert davitsokkel: Davitsokkelen må klargjøres før bruk.

1. **Klargjør plasseringen.** Velg en passende overflate for montering av davitsokkelen, og fastslå deretter hvor sokkelen skal monteres. Det må være nok tilbakeslag fra kanten (A) og materialtykkelsen (B) til å støtte styrkekravene til konstruksjonen og systemet ditt. Marker og bor monteringshull i henhold til festemiddelprodusentens anbefalte diameter og dybde.

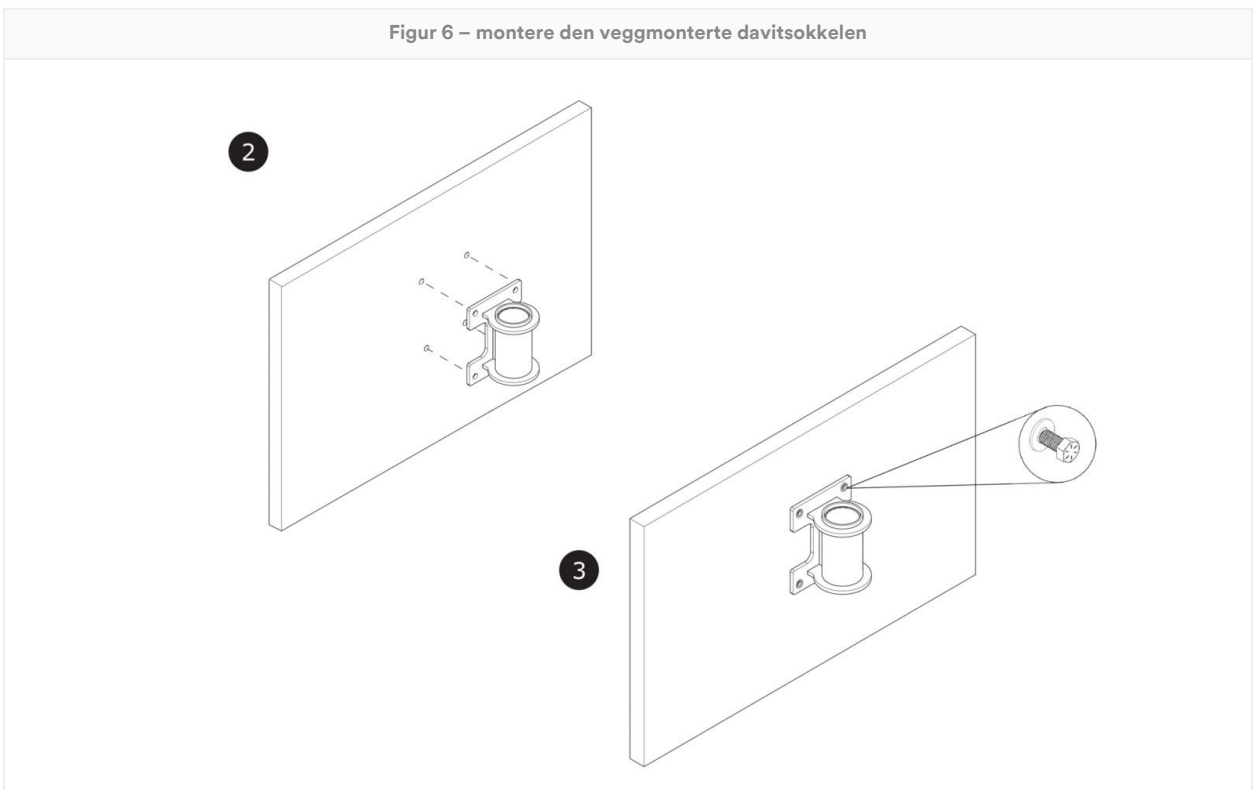
Davitsokkelen må monteres på en flat, vertikal overflate.

2. **Plasser davitsokkelen.** Rett inn hullene i monteringsplaten med de borede hullene. Davitsokkelen må plasseres innenfor +/- 1 grad fra vertikalen.
3. **Fest davitsokkelen.** Fest davitsokkelen ved hjelp av de valgte festemidlene, som spesifisert i instruksjonene fra produsenten av festet.

Figur 6 – montere den veggmonterte davitsokkelen



Figur 6 – montere den veggmonterte davitsokkelen



3.4 Fest daviten: Når davitsokkelen er montert, kan brukeren feste davitarmen eller masten til sokkelen. Daviten skal festes til monteringsstolpen eller i hylsen på davitsokkelen, avhengig av hva som er aktuelt for davitsokkelen du bruker. Kontroller at daviten er sikker og at eventuelle føringer eller låsepinner er riktig brukt. Se produsentens instruksjoner for daviten eller davitsystemet for mer informasjon.

4.0 Bruk

4.1 Før hver bruk: Kontroller at arbeidsområdet og fallsikringssystemet oppfyller alle kriterier som er definert i disse instruksjonene. Bekreft at en formell redningsplan er innført. Kontroller produktet i henhold til kontrollpunktene som er definert i Kontroll- og vedlikeholdsloggen. Hvis kontrollen avslører en utrygg eller mangelfull tilstand, eller hvis det er noen tvil om tilstanden for sikker bruk, må produktet tas ut av bruk øyeblikkelig. Merk produktet tydelig med «IKKE BRUK». Se del 5 for mer informasjon.

4.2 Forankring: I tillegg til produktkapasitet, må ethvert fallsikringssystem ta hensyn til styrken til eventuelle bærende konstruksjoner eller komponenter.

1. **Forankringskonstruksjon:** Forankringskonstruksjonen som sikrer dette produktet, må kunne motstå alle nødvendige belastninger som tillatt av produktets fallsikringssystem.

Momentbelastning	136 400 in-lb. (15,41 kN*m)
------------------	-----------------------------

2. **Tilkoblingspunkt for forankring:** Forankringspunktene som brukes sammen med produktet, må kunne motstå eventuelle belastninger som påføres av produktet.
3. **Festemidler:** Eventuelle festemidler som fester produktet på plass, må være sterke nok til å holde produktet sikret under bruk. Se instruksjonene fra produsenten av festemidlene for mer informasjon.

Trekraft for feste	35,59 kN (8 000 lbf)
Skjærstyrke per festemiddel	22,2 kN (5 000 lbf)

4.3 Etter et fall: Hvis utstyret utsettes for fallsikring eller støtkrefter, må du fjerne enheten fra drift umiddelbart. Merk det tydelig «IKKE BRUK». Se del 5 for mer informasjon.

4.4 Materialhåndtering: 3M tillater bruk av dette produktet til materialhåndtering som anvist. Lokale forskrifter eller standarder kan ha ytterligere begrensninger eller kan regulere bruk av fallsikringsutstyr for materialhåndtering.

⚠CAUTION:

Dette produktet må brukes med en kompatibel davit for å kunne brukes til materialhåndtering. Fest aldri en materiellast direkte på davitsokkelen.

Før du sikrer materiellasten må du kontrollere at den er klargjort for transport.

Fest aldri dette produktet til materialer og brukere samtidig.

Produktet som brukes til materialhåndtering må inspiseres av en kompetent person før neste bruk. Lokale forskrifter eller standarder kan begrense bytting mellom personellbruk og materialhåndtering.

1. **Fest daviten.** Fest daviten til davitsokkelen som spesifisert i bruksanvisningen.
2. **Fest et tilkoblede delsystem til daviten.** Se produsentens instruksjoner for davitmodellen for mer informasjon.
3. **Fest livlinen til materiellasten.** Senk eller hev materiellasten etter behov.

Materialhåndteringskapasitet

340 kg (750 pund)

5.0 Inspeksjon

Etter at utstyret er blitt fjernet fra bruk, kan det ikke brukes igjen før en kompetent person bekrefter skriftlig at det er akseptabelt å gjøre det.

5.1 Inspeksjonsintervaller: Produktet skal inspiseres av brukeren før hver bruk, og i tillegg av en annen kompetent person enn brukeren, i intervallene som er angitt nedenfor. Utstyr som brukes hyppigere og under tøffere forhold kan kreve en reduksjon av intervallet mellom inspeksjoner av kompetent person. Intervallet mellom disse inspeksjonene skal bestemmes av den kompetente personen i henhold til de spesifikke forholdene på arbeidsplassen.

Gjeldende standard eller region	Obligatorisk intervall for inspeksjon av kompetent person
ANSI og OSHA	En gang i året
EN-standarder	En gang i året
AS/NZS	En gang i året

5.2 Inspeksjonsprosedyrer: Inspiser dette produktet i henhold til prosedyrene som er oppført i inspeksjons- og vedlikeholdsloggen. Eieren av dette utstyret skal opprettholde dokumentasjonen for hver inspeksjon. En inspeksjons- og vedlikeholdslogg skal plasseres i nærheten av produktet eller på annen måte være lett tilgjengelig for brukere. Det anbefales at dette produktet merkes med datoen for neste eller siste inspeksjon.

5.3 Defekter: Hvis produktet ikke kan returneres til bruk på grunn av eksisterende defekt eller usikker tilstand, må produktet enten destrueres eller sendes til 3M eller et 3M-autorisert servicesenter for reparasjon.

5.4 Produktlevetid: Den funksjonelle levetiden til produktet avhenger av arbeidstilstander og vedlikehold. Produktet kan brukes så lenge det oppfyller inspeksjonskriteriene.

6.0 Vedlikehold, oppbevaring og reparasjon

Utstyr som har behov for vedlikehold eller som er planlagt for vedlikehold, skal merkes «IKKE BRUK». Disse utstyrskodene skal ikke fjernes før vedlikehold er utført.

6.1 Rengjøring: Rengjør produktenes metallkomponenter periodisk i varmt vann og mild såpелøsning. Skyll produktet med rent vann, og la det deretter lufttørke. Hvis du vil ha mer informasjon, kan du gå til den tekniske meldingen på nettstedet vårt: <https://www.3M.com/FallProtection/Mechanical-Device-Cleaning>

6.2 Reparasjon: Kun 3M, eller virksomheter med skriftlig godkjenning fra 3M, kan reparere dette utstyret.

6.3 Oppbevaring og transport: Produktet må oppbevares og transporteres i et kjølig, tørt og rent miljø som ikke er utsatt for direkte sollys. Unngå områder hvor det kan finnes gasser fra kjemikalier. Gjennomfør en grundig inspeksjon av komponenter etter langvarig lagring.

Sokler som er permanent montert, skal ikke forlate arbeidsstedet. Andre komponenter kan fjernes fra disse soklene for lagring eller transport, men sokkelen må være igjen.

⚠WARNING:

Plutselige overganger mellom varme og ekstremt kalde omgivelser kan påvirke ytelsen til utstyret. Mekaniske enheter (som selvinntrekkende enheter, vinsjer, henteanordninger, klatrehylser og så videre) må tilpasses for bruk i ekstrem kulde eller varme ved å oppbevare dem i temperaturer er lik arbeidsmiljøet. Utfør alltid en inspeksjon før bruk av utstyret i arbeidsmiljøet før du bruker det.

7.0 Etiketter og merking

7.1 Sammendrag: Figuren «Produktetiketter» viser etiketter og merker på produktet. Se nedenfor for et sammendrag av informasjon som følger med hver etikett og merke.

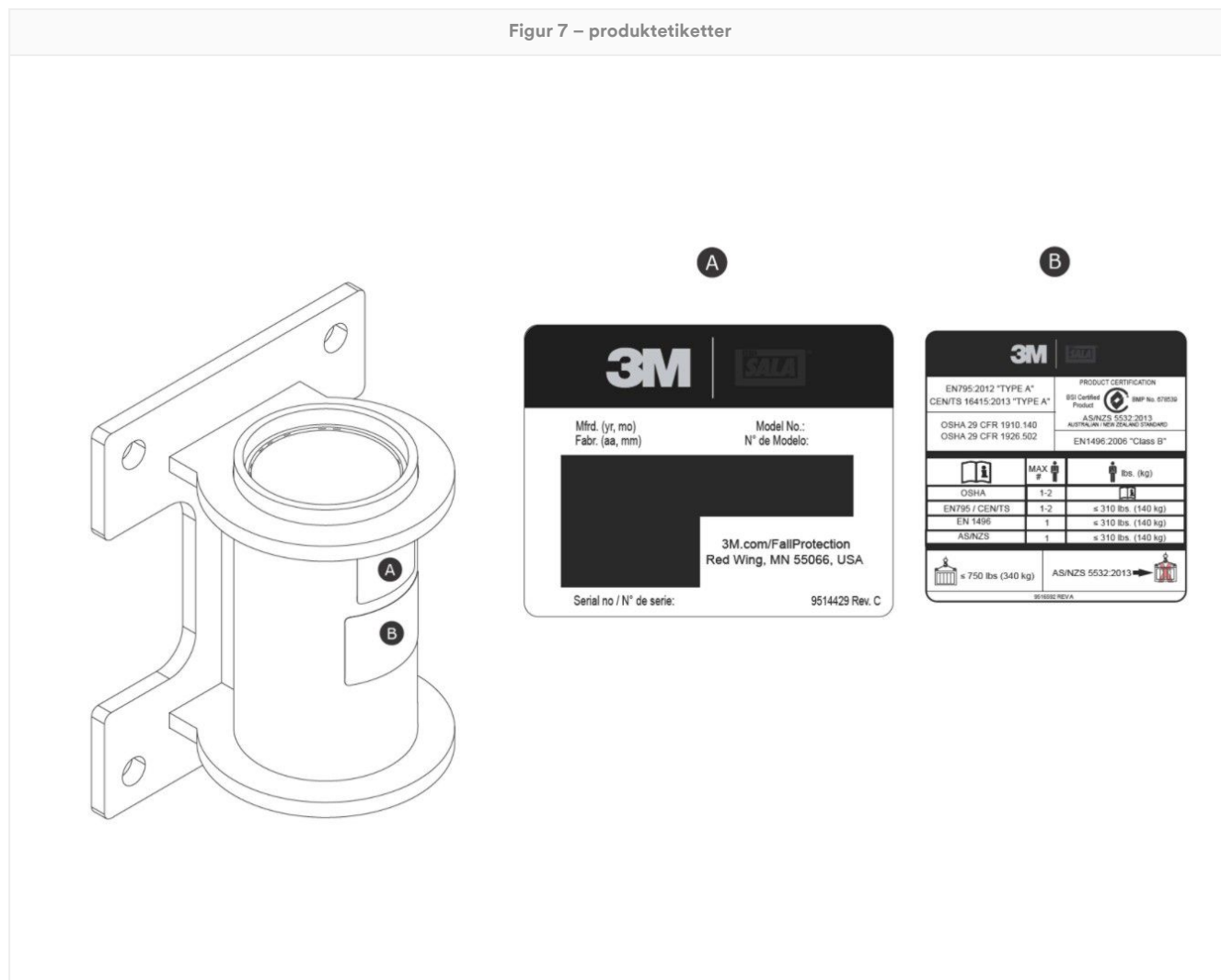
NOTICE:

Etikettbilder er ment å være representative. Se produktetikettene dine for spesifikk informasjon.

Manglende eller skadde etiketter må erstattes. Alle etiketter må være fullt lesbare.

A	Produktspesifikasjonsetikett
B	ID-merke

Figur 7 – produktetiketter



Ordliste

Definisjoner: Følgende begreper og definisjoner brukes i disse instruksjonene:

Besøk nettstedet vårt for en omfattende liste over termer og definisjoner: www.3m.com/FallProtection/ifu-glossary

- **Autorisert person:** En person som er utnevnt av arbeidsgiver til å utføre oppgaver på stedet hvor personen vil være utsatt for fallrisiko.
- **Kompetent person:** En person som er i stand til å identifisere eksisterende og mulige farer i omgivelsene eller arbeidsforhold som er uhygieniske, risikable eller farlige for ansatte, og som har myndighet til å utbedre eller fjerne dem.

- **Fallstoppsystem:** En samling med fallsikringsutstyr som er satt sammen for å beskytte brukeren i tilfelle fall.
- **Kvalifisert person:** En person med en anerkjent utdanning, sertifisering eller profesjonell anseelse, eller som ved sin omfattende kunnskap, opplæring og erfaring har vist evne til å løse problemer knyttet til fallsikrings- og redningssystemer, i den grad det kreves av gjeldende nasjonale, regionale og lokale forskrifter.
- **Redningssystem:** Fallsikringsutstyr er utstyr som er konfigurert for å ta en person bort fra farer og til et trygt sted. Ikke noen grad av fritt fall er tillatt.
- **Redningsmann:** En person som bruker redningssystemet til å utføre en assistert redningsaksjon.
- **Begrensningssystem:** En samling av fallsikringsutstyr som er satt sammen for å hindre at brukeren når en fallfare. Ikke noen grad av fritt fall er tillatt.
- **Bruker:** En person som utfører aktiviteter mens de er beskyttet av et fallsikringssystem.
- **Arbeidsposisjoneringssystem:** En samling av fallsikringsutstyr som er konfigurert for å støtte en bruker i en arbeidsstilling.

Inspeksjons- og vedlikeholdslogg

En kopi av denne tabellen skal brukes ved hver inspeksjon. Registrer informasjon nedenfor.

Produsent: 3M Fall Protection

Modellnummer (serienummer):

Kjøpsdato:

Dato for førstegangsbruk:

Dette produktet må inspiseres av brukeren før hver bruk. I tillegg må en annen kompetent person enn brukeren inspisere dette utstyret med intervallene som er spesifisert i avsnitt 5.

Komponent	Prosedyrer for inspeksjon	Inspeksjonsresultat (bestått eller ikke bestått)
Produkt (figur 2)	Inspiser davitsystemet for skade, deformering, korrosjon og rust. Se etter sprekker, bøyninger, bulker eller slitasje som kan påvirke styrken og driften av systemet. Når du inspiserer for korrosjon, bør du også inspisere forankringsenheten, dens fester eller festemidler, og konstruksjonen som forankringsenheten er festet til.	
	Inspiser alle festeinnretninger for skade eller korrosjon. Stram som nødvendig.	
	Kontroller alle bevegelige deler og se etter avskallinger, sprekker, brudd eller slitte områder som kan forårsake feil under drift.	
Etiketter	Alle etikettene er på plass og leselige.	
Fallsikringsutstyr	Ekstra fallsikringsutstyr som brukes med produktet, monteres og inspiseres i henhold til produsentens instruksjoner. Kontroller at styrkeklassifiseringen for hvert av produktene dine er kompatibel og tilstrekkelig for det tiltenkte bruksområdet.	

Sammendrag av produktinspeksjon

Hvis produktet mislykkes i en inspeksjonsprosedyre, mislykkes produktet i den generelle inspeksjonen. Hvis produktet ikke blir inspisert, må det tas ut av drift umiddelbart. Merk produktet tydelig med «IKKE BRUK». Se del 5 for mer informasjon.

Inspeksjonstype:

Bruker

Kompetent person

Samlet inspeksjonsresultat:

Inspisert av:

Inspeksjonsdato:

Signatur:

Neste inspeksjon innen:


Ytterligere merknader:

Sertifiseringer

Produktet oppfyller kravene til nasjonale standarder som oppgis på omslaget til disse instruksjonene. Sertifisering og samsvar kan være begrenset til enkelte produktmodeller eller bruksområder.

Hvis du vil ha mer informasjon om krav til sertifisering eller samsvar, kan du se gjeldende standarder og forskrifter som er oppført for produktet ditt.

Brukere under AS/NZS-standarder må lese AS/NZS 1891.4 for valg, bruk, vedlikehold og opplæringskrav.

BSI-sertifisert produkt AS/NZS 5532:2013 Lisens: BMP 678539	BSI - Head Office Suite 1, Level 1, 54 Waterloo Road Macquarie Park, NSW, 2113 Australia	
---	--	---

Global produktgaranti, begrenset utbedring og ansvarsbegrensning

Garanti: Det følgende kommer i stedet for alle garantier eller vilkår, uttrykkelige eller underforståtte, inkludert de underforståtte garantiene eller vilkårene om salgbarhet eller egnethet for et bestemt formål.

Med mindre annet er bestemt av lokale lover, er 3Ms fallsikringsprodukter garantert mot fabrikkasjonsfeil i håndverksmessig utførelse og materialer for en periode på ett år fra monteringsdatoen eller første bruk av den opprinnelige eieren.

Begrenset utbedring: Ved skriftlig melding til 3M, vil 3M reparere eller erstatte ethvert produkt som av 3M fastslås å ha en fabrikkasjonsfeil i håndverksmessig utførelse eller materialer. 3M forbeholder seg retten til å kreve at produktet blir levert tilbake til fabrikk for evaluering av garantikrav. Denne garantien dekker ikke produktskade grunnet slitasje, misbruk, skade i transitt, unnlatelse av å vedlikeholde produktet eller annen skade utenfor 3Ms kontroll. 3M vil være den eneste til å bedømme produktvilkår og garantialternativer.

Denne garantien gjelder kun den opprinnelige kjøperen og er den eneste garantien som er anvendelig for 3Ms fallsikringsprodukter. Vennligst kontakt 3Ms kundeserviceavdeling i ditt område for hjelp.

Begrensning av erstatningsansvar: I den utstrekning det er tillatt av lokale lover, er 3M ikke erstatningsansvarlig for noen som helst indirekte, hendelige, spesielle eller følgemessige skader inkludert, men ikke begrenset til tap av fortjeneste, på noen som helst måte forbundet med produktene, uavhengig av hvilken juridisk teori som påberopes.

3M™ DBI-SALA® Podstawa żurawika do montażu ściennego

Instrukcja obsługi

Numer formularza: 5903663, Wersja: F

Ten produkt jest certyfikowany lub zgodny z następującymi normami i przepisami. Homologacja i zgodność mogą być ograniczone do poszczególnych modeli produktów lub aplikacji. Więcej informacji można znaleźć w punkcie *Certyfikaty*.

- OSHA 29 CFR 1910.140, 1926.502
- EN 795:2012 (typ A)
- CEN/TS 16415:2013 (Typ A)
- EN 1496:2006 (punkt 4.6)
- AS/NZS 5532:2013

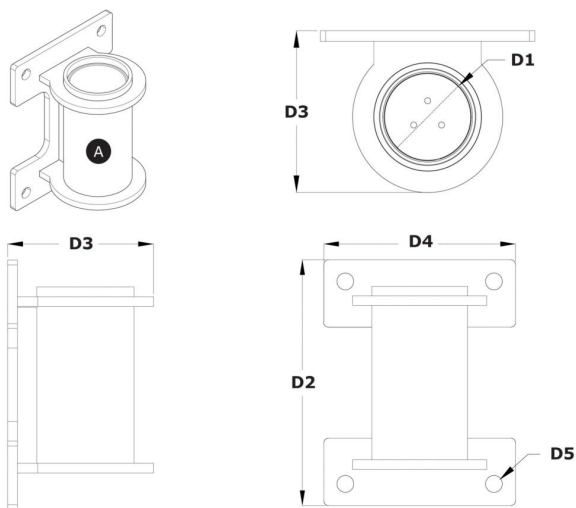
⚠WARNING:

Kody produktów można znaleźć w tabelach specyfikacji produktów. Więcej: „Informacje ogólne o produkcie”.

Niektóre elementy mogą nie być certyfikowane indywidualnie i mogą wymagać montażu w celu spełnienia wymagań certyfikacyjnych.

Rysunek 1 — Ogólne informacje o produkcie

Model	Styl	D1	D2	D3	D4	D5	Masa produktu
8000101	A	10,2 cm (4,0 in)	32,4 cm (12,75 in)	19,0 cm (7,5 in)	25,4 cm (10,0 in)	22,2 mm (0,88 in)	15,7 kg (34,0 lb)
8000102	A	10,2 cm (4,0 in)	32,4 cm (12,75 in)	19,0 cm (7,5 in)	25,4 cm (10,0 in)	22,2 mm (0,88 in)	15,7 kg (34,0 lb)



Informacje dotyczące bezpieczeństwa

Przed użyciem produktu należy przeczytać ze zrozumieniem oraz zastosować wszystkie informacje dotyczące bezpieczeństwa zawarte w niniejszej instrukcji. ZIGNOROWANIE TEGO WYMAGANIA MOŻE SKUTKOWAĆ POWAŻNYMI URAZAMI CIAŁA LUB ŚMIERCIĄ.

Niniejszą instrukcję należy udostępnić użytkownikowi sprzętu. Należy zachować te instrukcje do wykorzystania w przyszłości.

Informacje dotyczące bezpieczeństwa

Formularz: 5908277, Revision: B

Przeznaczenie

Ten produkt jest używany jako część kompletnego systemu zabezpieczenia przed upadkiem.

Użycie w jakimkolwiek innym zastosowaniu, w tym między innymi do przenoszenia niezatwierdzonych materiałów, zajęć rekreacyjnych lub sportowych lub innych czynności nieopisanych w instrukcji obsługi, nie jest zatwierdzone przez 3M i może powodować poważne obrażenia lub śmierć.

Ten produkt może być wykorzystywany wyłącznie przez przeszkolonych użytkowników w miejscu pracy.

Ostrzeżenie

Ten produkt jest używany jako część kompletnego systemu zabezpieczenia przed upadkiem.

Wszyscy użytkownicy muszą zostać w pełni przeszkoleni w zakresie bezpiecznego montażu i obsługi kompletnego systemu zabezpieczenia przed upadkiem. Nieprawidłowe użytkowanie produktu może prowadzić do poważnych urazów ciała lub śmierci. W celu prawidłowego doboru, obsługi, montażu, konserwacji i serwisowania należy zapoznać się ze wszystkimi instrukcjami obsługi i zaleceniami producenta. Aby uzyskać więcej informacji, należy skontaktować się ze swoim przełożonym lub z działem pomocy technicznej firmy 3M.

- **Aby ograniczyć ryzyko związane z pracą z systemem dostępu i wydobywania z pomieszczeń o ograniczonej przestrzeni, które może skutkować poważnymi urazami ciała lub śmiercią:**
 - Należy sprawdzić produkt przed każdym użyciem i po każdym upadku, zgodnie z procedurami określonymi w niniejszej instrukcji.
 - Jeżeli przegląd wykaże, że urządzenie jest wadliwe lub nie zapewnia bezpiecznej pracy, należy je natychmiast wycofać z eksploatacji i umieścić na nim oznaczenie „NIE UŻYWAĆ”. Zniszczyć lub naprawić produkt zgodnie z niniejszą instrukcją.
 - Każdy produkt, który został użyty do zahamowania upadku bądź został poddany działaniu siły uderzenia, musi zostać natychmiast wycofany z eksploatacji. Zniszczyć lub naprawić produkt zgodnie z niniejszą instrukcją.
 - Należy upewnić się, że systemy zabezpieczenia przed upadkiem złożone z elementów różnych producentów są kompatybilne i spełniają wszystkie obowiązujące przepisy, normy lub wymagania dotyczące ochrony przed upadkiem. Przed użyciem tych systemów zawsze należy skonsultować się z kompetentną osobą.
 - Produkt należy montować wyłącznie zgodnie z opisem w instrukcji obsługi. Montaż i użytkowanie wykraczające poza zakres niniejszej instrukcji obsługi muszą zostać zatwierdzone na piśmie przez firmę 3M.
 - Podsystemy zabezpieczenia przed upadkiem należy podłączać wyłącznie do wyznaczonych punktów kotwiczących na urządzeniu.
 - Przed montażem należy upewnić się, że metody montażu oraz produkt nie będą kolidować z przewodami elektrycznymi, gazowymi ani innymi krytycznymi materiałami lub systemami.
 - Upewnić się, że produkt jest prawidłowo skonfigurowany i zamontowany w celu zapewnienia bezpiecznego działania, zgodnie z opisem w niniejszej instrukcji.
 - Nie skręcać, nie wiązać, nie płątać ani nie dopuszczać luzu liny asekuracyjnej.
 - Nie przekraczać maksymalnej dozwolonej liczby użytkowników podanej w instrukcji.
 - Należy zachować ostrożność podczas montażu, używania i przenoszenia produktu, ponieważ ruchome części mogą powodować powstawanie punktów przycięcia.
 - W stosownych przypadkach należy przestrzegać procedur blokowania/oznaczania.
 - Nie wolno korzystać z systemu w czasie transportu lub montażu.
- **Aby zmniejszyć zagrożenia podczas prac na wysokości mogące spowodować poważne obrażenia lub śmierć:**
 - Zdrowie i kondycja fizyczna użytkownika muszą umożliwiać bezpieczną pracę na wysokości i wytrzymanie wszystkich sił działających na ciało podczas hamowaniem upadku. W razie pytań dotyczących możliwości korzystania z tego sprzętu należy skonsultować się z lekarzem.
 - Nigdy nie wolno przekraczać dopuszczalnego udźwigu sprzętu zabezpieczającego przed upadkiem.
 - Nigdy nie wolno przekraczać maksymalnego dystansu swobodnego upadku danego sprzętu zabezpieczającego przed upadkiem.
 - Nie wolno używać sprzętu zabezpieczającego przed upadkiem, który nie przeszedł pomyślnie przeglądu okresowego, ani w przypadku wątpliwości dotyczących korzystania lub przydatności sprzętu w danym zastosowaniu. W przypadku pytań należy skontaktować się z działem obsługi klienta firmy 3M.
 - Niektóre połączenia podsystemów i elementów mogą wpływać na działanie tego sprzętu. Używać tylko kompatybilnych połączeń. Przed zastosowaniem tego sprzętu w połączeniu z elementami lub podsystemami innymi niż opisane w instrukcji użytkowania należy skonsultować się z działem obsługi klienta firmy 3M.
 - Należy stosować zwiększone środki ostrożności podczas pracy w pobliżu ruchomego sprzętu, źródła zagrożeń elektrycznych, skrajnych temperatur, zagrożeń chemicznych, zagrożenia wybuchem lub toksycznych gazów, ostrych krawędzi, powierzchni ściernych lub pod obiektami znajdującymi się nad użytkownikiem, które mogą spaść na użytkownika lub na sprzęt zabezpieczający przed upadkiem.
 - Upewnić się, że użytkowanie produktu jest dostosowane do zagrożeń występujących w środowisku pracy.
 - Należy zapewnić wystarczającą wolną przestrzeń podczas upadku, prowadząc prace na wysokości.
 - Nigdy nie wolno modyfikować ani przerabiać sprzętu zabezpieczającego przed upadkiem. Sprzęt firmy 3M może być naprawiany tylko przez firmę 3M lub podmioty upoważnione przez nią na piśmie.
 - Przed użyciem sprzętu zabezpieczającego przed upadkiem należy upewnić się, że sporządzono pisemny plan ratunkowy umożliwiający podjęcie szybkiej akcji ratunkowej w razie upadku.
 - Jeśli dojdzie do upadku, poszkodowanemu pracownikowi należy niezwłocznie zapewnić pomoc medyczną.
 - Należy używać pełnej uprząży do zastosowań związanych z zahamowaniem upadku. Nie stosować pasów asekuracyjnych.
 - Należy minimalizować zagrożenie upadkiem w wyniku zakotysania, pracując tak blisko punktu kotwiczenia, jak to tylko możliwe.
 - Podczas szkolenia z użyciem produktu musi być zapewniony dodatkowy system zabezpieczenia przed upadkiem. Osoby szkolone nie mogą być narażone na niezamierzone ryzyko upadku.
 - Zawsze nosić odpowiednie środki ochrony indywidualnej podczas montażu, użytkowania lub przeglądu produktu.
 - Nigdy nie należy pracować poniżej zawieszonych ładunku lub pracownika.
 - Zawsze utrzymywać pełne zakotwiczenie.

Ogólne informacje o produkcji

Należy zawsze pamiętać, aby korzystać z najnowszej wersji instrukcji obsługi firmy 3M. Aby uzyskać najnowszą instrukcję obsługi, należy odwiedzić stronę www.3m.com/userinstructions lub skontaktować się z działem obsługi klienta firmy 3M.

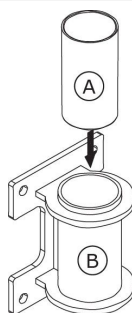
Przed użyciem sprzętu należy zapisać dane produktu zawarte na etykiecie w „Dzienniku przeglądów i konserwacji” zamieszczonym na końcu niniejszej instrukcji.

Rysunek 1 przedstawia dostępne modele produktów. Podstawa żurawika służy do przymocowania żurawika do podłoża. Żurawik jest przymocowany do podstawy, pełniąc funkcję regulowanego i ruchomego punktu kotwiczącego dla użytkownika. Więcej informacji na temat zastosowań systemu można znaleźć w instrukcjach producenta kompatybilnego żurawika lub systemu żurawików.

Rysunek 2 ilustruje kluczowe elementy dostępnych modeli produktów. Podstawa żurawika składa się z dwóch części: wkładka (A) i tuleja żurawika (B). Wkładka umożliwia swobodne obracanie się zamocowanego żurawika wewnątrz tulei. Tuleja ma dołączoną płytę montażową służącą do przymocowania podstawy żurawika do konstrukcji.

Każdy model produktu ma własne dane techniczne przedstawione na Rysunku 1. Więcej informacji można znaleźć w tabelach specyfikacji produktu.

Rysunek 2 — Elementy



Tabele specyfikacji produktu

Specyfikacje systemu

Udźwig użytkownika:	Więcej informacji na temat udźwigu systemu można znaleźć w instrukcjach producenta kompatybilnych modeli żurawików.
Normy:	Każdy model produktu jest certyfikowany lub zgodny z obowiązującymi normami i przepisami wymienionymi na Rysunku 1. Jeśli żadnych nie określono, zastosowanie mają wszystkie normy i przepisy wymienione na okładce.

Dane techniczne elementów

Oznaczenia na Rysunku 2	Element	Materiały
A	Wkład	Polietylen o dużej gęstości
B	Tuleja żurawika	8000101: Ocynkowana stal węglowa
		8000102: Stal nierdzewna

1.0 Zastosowanie produktu

1.1 Przeznaczenie: Systemy żurawików działają jako mobilne konstrukcje kotwiczące dla systemów ochrony przed upadkiem z wysokości. Montaż i komponenty różnią się w zależności od systemu. Więcej na temat zastosowań systemu: „Przeгляд produktu” i Tabela 1.

1.2 Nadzór: Korzystanie ze sprzętu musi być nadzorowane przez kompetentną osobę. Montaż tego sprzętu musi być nadzorowana przez kompetentną osobę. Wykwalifikowana osoba musi potwierdzić, że instalacja jest zgodna z lokalnymi i federalnymi przepisami. Elementy złączne i umiejscowienie podstawy żurawika muszą również zostać zatwierdzone przez wykwalifikowaną osobę.

1.3 Odsprzedaż i dystrybucja: Jeśli produkt jest odsprzedawany poza pierwotnym krajem przeznaczenia, sprzedawca musi dostarczyć te instrukcje w języku kraju, w którym produkt będzie używany.

1.4 Szkolenie: Sprzęt musi być zainstalowany i używany przez osoby przeszkolone w zakresie jego prawidłowego stosowania. Niniejsza instrukcja służy do stosowania w ramach programu szkolenia pracowników zgodnie z wymaganiami norm krajowych, regionalnych lub lokalnych. Użytkownicy lub instalatorzy tego urządzenia mają obowiązek upewnić się, że znają niniejszą instrukcję oraz że są przeszkoleni w zakresie prawidłowego utrzymania i użytkowania urządzenia oraz mają świadomość charakterystyki działania, ograniczeń zastosowania oraz skutków niewłaściwego użycia tego urządzenia.

1.5 Plan ratunkowy: Podczas korzystania z tego urządzenia i podsystemów łączących pracodawca musi dysponować planem ratunkowym na piśmie i środkami niezbędnymi do wdrożenia go oraz musi przekazać ten plan użytkownikom, osobom upoważnionym i ratownikom. Zalecane jest powołanie przeszkolonego, lokalnego zespołu ratowniczego. Członkowie zespołu powinni mieć wyposażenie oraz znać techniki niezbędne do przeprowadzenia pomyślniej akcji ratunkowej. Wymagane jest okresowe przeprowadzanie szkolenia w celu zapewnienia kompetencji ratowników. Ratownikom należy przekazać niniejszą instrukcję. Przez cały czas akcji ratunkowej powinien istnieć kontakt wzrokowy lub inny sposób komunikacji z ratowaną osobą.

2.0 Wymagania dotyczące systemu

2.1 Punkt kotwiczący: Struktura kotwicząca, która zabezpiecza ten produkt, musi być w stanie wytrzymać wszelkie wymagane obciążenia, na jakie pozwala system zabezpieczenia przed upadkiem. Więcej informacji znajduje się w punkcie 4.

2.2 Nośność: Udźwig użytkowników kompletnego systemu zabezpieczenia przed upadkiem jest ograniczony przez element systemu o najniższym maksymalnym udźwigu. Na przykład, jeśli podsystem łączący ma udźwig mniejszy niż uprząż, należy spełnić wymagania dotyczące udźwigu podsystemu łączącego. Instrukcje producenta każdego elementu systemu zawierają wymagania dotyczące udźwigu.

2.3 Zagrożenia środowiskowe: Używanie tego sprzętu w obszarach, w których występują zagrożenia środowiskowe, może wymagać dodatkowych środków ostrożności, aby zapobiec obrażeniom ciała użytkownika lub uszkodzeniu sprzętu. Zagrożenia mogą obejmować między innymi: wysoką temperaturę, substancje chemiczne, środowiska powodujące korozję, linie wysokiego napięcia, wybuchowe lub toksyczne gazy, maszyny w ruchu, ostre krawędzie lub materiały znajdujące się u góry, które mogą spaść i zetknąć się z użytkownikiem lub urządzeniem. Dalszych wyjaśnień udziela dział obsługi klienta firmy 3M.

2.4 Zagrożenia związane z liną asekuracyjną: Należy upewnić się, że lina asekuracyjna nie stwarza żadnego zagrożenia, w tym: zaplątanie się użytkowników, innych pracowników, poruszających się maszyn ani innych otaczających obiektów lub uderzenie przez przedmioty znajdujące się nad głową, które mogą spaść na linę asekuracyjną lub użytkowników.

2.5 Kompatybilność elementów: Sprzęt 3M jest przeznaczony do użytku ze sprzętem 3M. Używanie ze sprzętem innych firm niż 3M musi być zatwierdzone przez osobę kompetentną. Zamienniki wykonane przy użyciu niezatwierdzonego sprzętu mogą zagrozić kompatybilności sprzętu i mogą mieć wpływ na bezpieczeństwo i niezawodność systemu zabezpieczenia przed upadkiem. Należy przeczytać i zastosować się do wszystkich instrukcji i ostrzeżeń dotyczących wszystkich urządzeń przed użyciem.

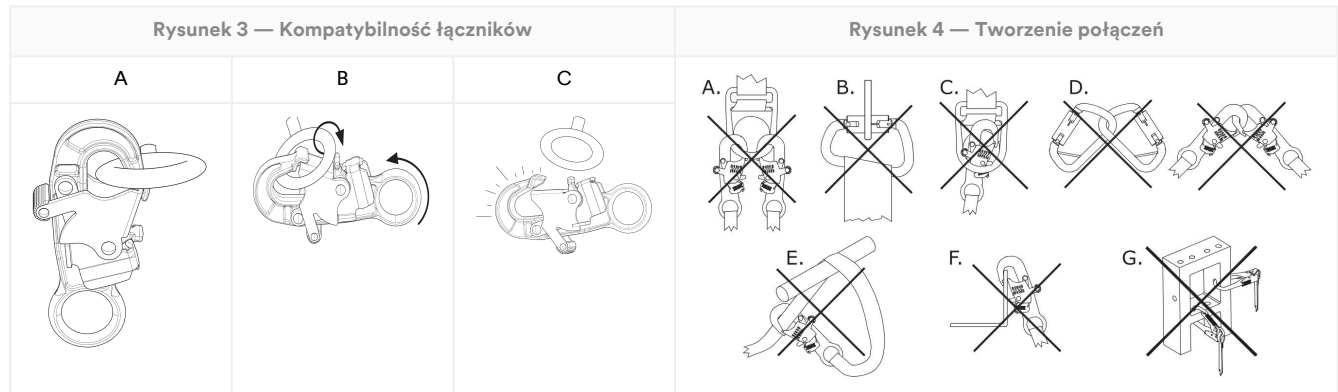
2.6 Kompatybilność łączników: Łączniki są kompatybilne z elementami łączącymi, gdy rozmiar i kształt któregośkolwiek z elementów nie powodują przypadkowego otwarcia łącznika, niezależnie od położenia. Łączniki muszą być zgodne z obowiązującymi normami. Łączniki muszą być całkowicie zamknięte i zablokowane podczas użytkowania.

Łączniki 3M (karabińczyki hakowe i karabińczyki) zostały zaprojektowane do użytku wyłącznie w sposób określony w poszczególnych instrukcjach obsługi. Należy zapewnić, że łączniki są kompatybilne z elementami systemu, do których są podłączone. Nie wolno używać niekompatybilnego sprzętu. Użycie niekompatybilnych elementów może spowodować niezamierzone rozłączenie łącznika. Odniesienie znajduje się na rysunku. Jeżeli element łączący, do którego przypięty jest łącznik, ma zbyt małe wymiary lub nieregularny kształt, może dojść do sytuacji, w której element łączący będzie

oddziaływał siłą na zamknięcie łącznika (A). Siła ta może następnie spowodować otwarcie zamknięcia (B), co doprowadzi do odłączenia łącznika od elementu łączącego (C).

2.7 Tworzenie połączeń: Wszystkie łączniki muszą być kompatybilne pod względem wielkości, kształtu i wytrzymałości. Przykłady niewłaściwych połączeń pokazano na rysunku. Karabińczyków hakowych i karabińczyków nie należy podłączać:

1. Do klamer typu D, do których przypięto już inny łącznik.
2. W sposób, który może przyczynić się do obciążenia zamknięcia. Karabinków hakowych o dużej szyjce nie należy łączyć z klamrami typu D-ring lub innymi elementami łącznymi, chyba że karabinek hakowy ma wytrzymałość zamka o wartości 16 kN lub większą.
3. W sposób pozorny, gdy rozmiar lub kształt łączników lub elementów łączących jest niekompatybilny oraz bez wzrokowego potwierdzenia nie można stwierdzić, czy łączniki są w pełni połączone.
4. Do siebie nawzajem.
5. Bezpośrednio do taśmy uprząży, materiału na nogi w linii bezpieczeństwa lub liny kotwiczącej, chyba że instrukcje producenta wyraźnie zezwalają na takie połączenie.
6. Do dowolnego obiektu, którego rozmiar lub kształt nie pozwala na pełne zamknięcie i zablokowanie łącznika lub który mógłby spowodować wysunięcie się łącznika.
7. W sposób, który uniemożliwia łącznikowi odpowiednie ustawienie się pod obciążeniem.



3.0 Montaż

3.1 Informacje ogólne: Instalacja żurawika może być długotrwałą, wieloetapową procedurą. Skuteczne planowanie i świadomość miejsca pracy oraz sprzętu są bardzo pomocne w przeprowadzeniu tego procesu tak płynnie, jak to tylko możliwe.

3.2 Planowanie: System zabezpieczenia przed upadkiem należy zaplanować przed rozpoczęciem pracy. Należy uwzględnić wszystkie czynniki, które mogą wpłynąć na bezpieczeństwo przed upadkiem, podczas i po upadku. Należy uwzględnić wszystkie wymagania i ograniczenia określone w tej instrukcji.

1. **Ostre krawędzie:** Należy unikać pracy w miejscach, w których elementy systemu będą się stykać z niezabezpieczonymi, ostrymi krawędziami lub powierzchniami ściernymi bądź ocierać się o nie. Wszystkie ostre krawędzie i powierzchnie ścierne powinny być pokryte materiałem ochronnym.
2. **Kompatybilność:** Podczas instalacji systemu ważne jest, aby używać kompatybilnych komponentów. Każdy model produktu jest kompatybilny z określonym zestawem modeli lub wzorów produktów.

Do podstawy żurawika może również zamocować dowolne przedłużenie masztu żurawika, zgodne modelami poniżej.

Kompatybilne modele żurawików	Instrukcja obsługi żurawika
8000107	5908417
8000108	5908417
8000130	5908364
8000131	5908364

3.3 Montaż podstawy żurawika: Zamontować podstawę żurawika zgodnie z instrukcjami dołączonymi do produktu.

Przed zainstalowaniem podstawy żurawika oczyścić powierzchnię konstrukcji punktu kotwiczącego z wszelkich zabrudzeń.

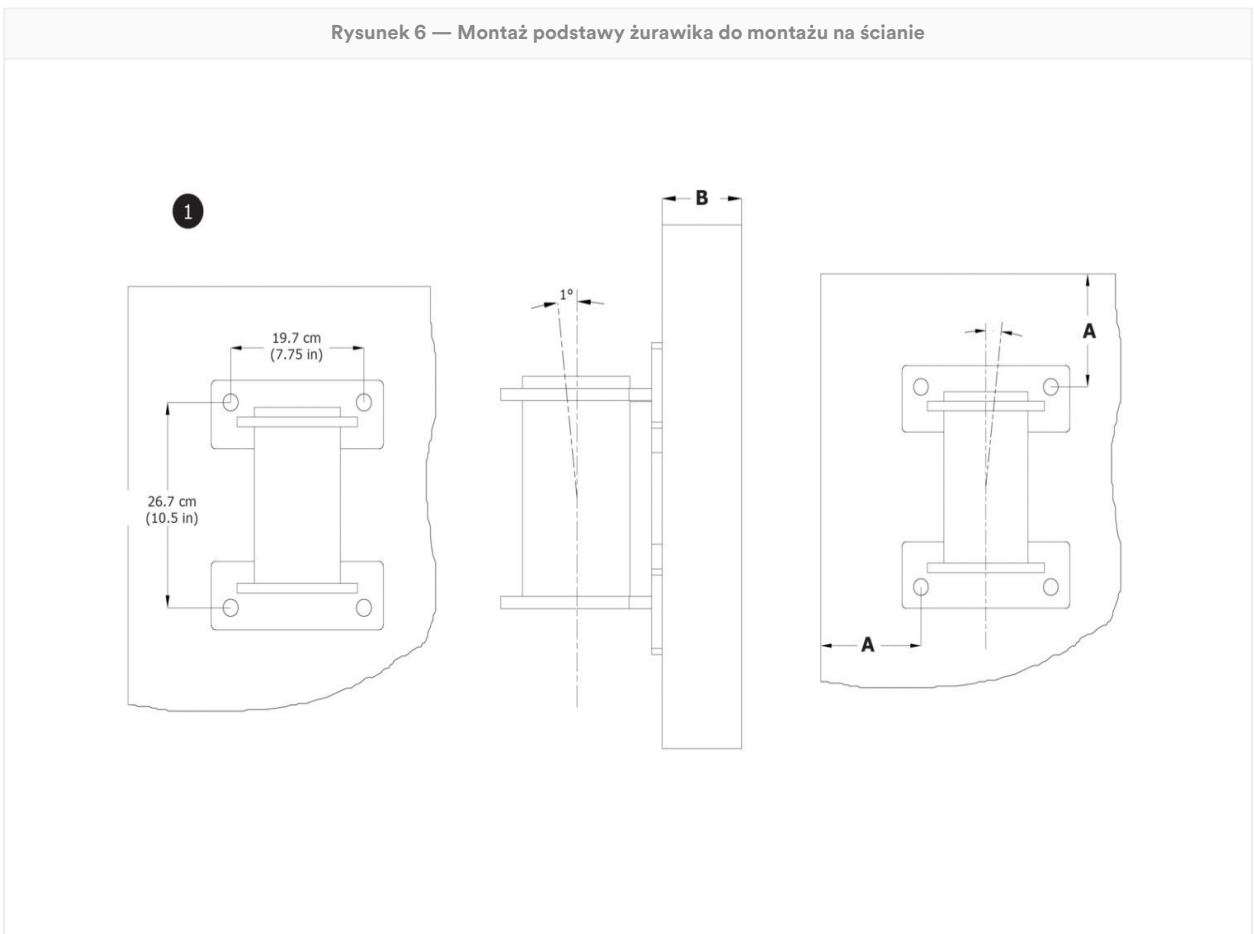
A. Podstawa żurawika do montażu ściennego: Przed użyciem podstawy żurawika należy ją przygotować.

1. **Przygotowanie miejsca montażu.** Wybrać odpowiednią powierzchnię i miejsce do montażu podstawy żurawika. Zachować odpowiednią odległość od krawędzi (A) oraz grubość materiału (B) według wymagań wytrzymałości konstrukcji i systemu. Zaznaczyć i wywiercić otwory montażowe o głębokości i średnicy zalecanej przez producenta elementów złącznych.

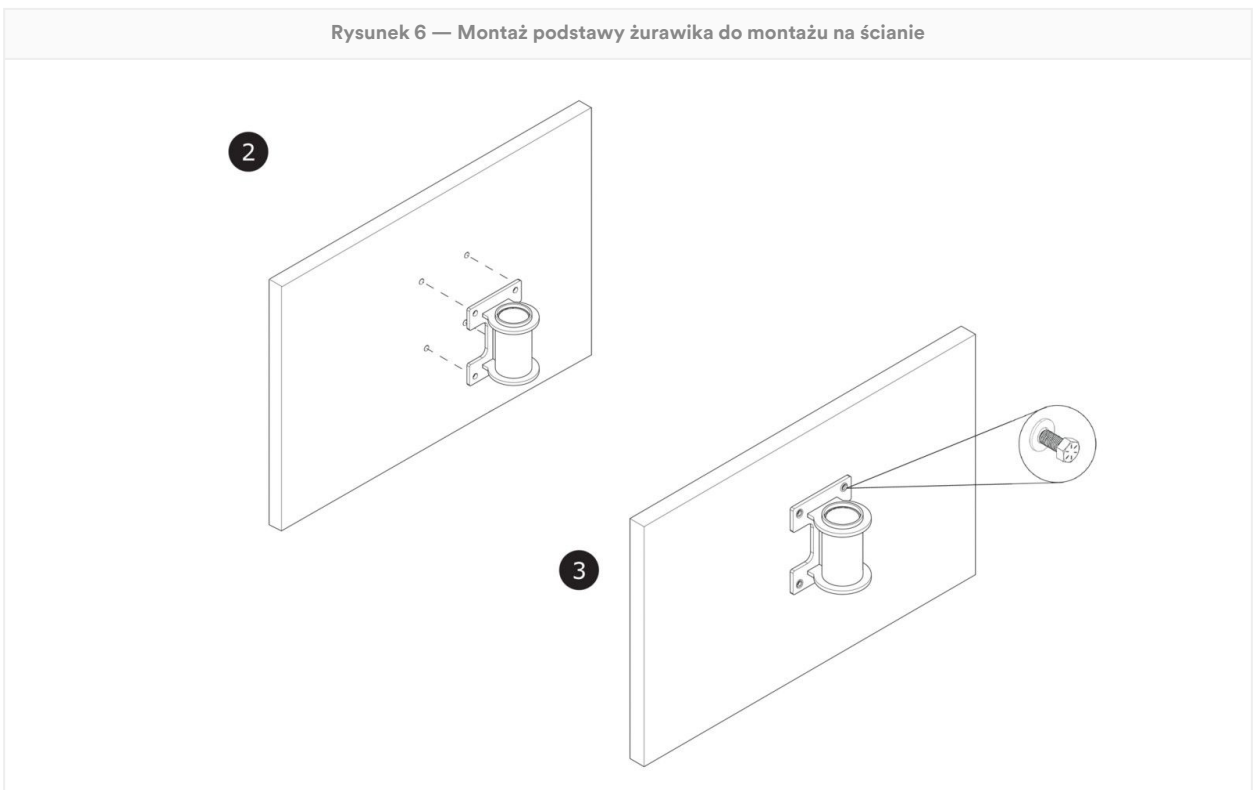
Podstawa żurawika musi być zamontowana na płaskiej, pionowej powierzchni.

2. **Umieszczanie podstawy żurawika.** Wyrównać otwory w płycie montażowej z wywierconymi otworami. Podstawa żurawika musi być umieszczona w odległości plus minus 1 stopnia od pionu.
3. **Zabezpieczanie podstawy żurawika.** Zabezpieczyć podstawę żurawika za pomocą wybranych elementów złącznych, zgodnie z instrukcjami ich producenta.

Rysunek 6 — Montaż podstawy żurawika do montażu na ścianie



Rysunek 6 — Montaż podstawy żurawika do montażu na ścianie



3.4 Zabezpieczenie żurawika: Po zamontowaniu podstawy żurawika można przymocować do niej ramię lub maszt żurawika. W zależności od używanej podstawy żurawik powinien być przymocowany do słupka montażowego lub wewnątrz tulei podstawy żurawika. Należy sprawdzić, czy żurawik jest zabezpieczony i czy prowadnice lub sworznie blokujące są używane prawidłowo. Więcej informacji można znaleźć w instrukcjach producenta podstawy lub systemu żurawika.

4.0 Użytkowanie

4.1 Przed każdym użyciem: Sprawdzić, czy obszar roboczy i system zabezpieczenia przed upadkiem spełniają wszystkie kryteria określone w niniejszej instrukcji. Sprawdzić, czy istnieje formalny plan ratunkowy. Skontrolować produkt według punktów kontrolnych dla użytkownika podanych w „Dzienniku przeglądów i konserwacji”. Jeśli przegląd wykaże, że produkt jest wadliwy lub nie zapewnia bezpiecznej pracy, bądź jeśli pojawią się jakiegokolwiek wątpliwości co do zapewnienia bezpiecznego użytkowania, należy go natychmiast wycofać z eksploatacji. Umieścić na produkcie wyraźne oznaczenie „NIE UŻYWAĆ”. Więcej informacji znajduje się w punkcie 5.

4.2 Punkt kotwiczący: Oprócz udźwigu produktu, każdy system zabezpieczający przed upadkiem musi uwzględniać wytrzymałość wszelkich konstrukcji wsporczych lub komponentów.

1. **Konstrukcja punktu kotwiczącego:** System kotwiczący struktury zabezpieczającej ten produkt musi być w stanie sprostać wymaganym obciążeniom dozwolonym przez System ochrony przed upadkiem tego produktu.

Obciążenie chwilowe	15,41 kN-m (136 400 in-lb)
---------------------	----------------------------

2. **Połączeniowe punkty kotwiczące:** Punkty kotwiczące połączenia użyte z produktem muszą być w stanie sprostać wszelkim stosowanym przez produkt obciążeniom.
3. **Elementy złączne:** Wszelkie elementy złączne mocujące produkt na miejscu muszą być wystarczająco wytrzymałe, aby zapewnić bezpieczeństwo produktu podczas użytkowania. Więcej informacji na ten temat można znaleźć w instrukcji producenta elementu złącznego.

Wytrzymałość elementy złącznego na wrywanie	35,59 kN (8,000 lb)
Wytrzymałość na ścinanie na element złączny	22,2 kN (5,000 lb)

4.3 Po upadku: Jeśli sprzęt zostanie użyty do zabezpieczenia przed upadkiem z wysokości lub narażony na działanie siły uderzenia, należy go natychmiast wycofać z eksploatacji. Umieścić na nim wyraźne oznaczenie „NIE UŻYWAĆ”. Więcej informacji znajduje się w punkcie 5.

4.4 Przenoszenie materiałów: 3M zezwala na używanie tego produktu do obsługi materiałów zgodnie z zaleceniami. Lokalne przepisy lub normy mogą zawierać dodatkowe ograniczenia lub regulować stosowanie sprzętu zabezpieczającego przed upadkiem z wysokości podczas przenoszenia materiałów.

⚠CAUTION:

Aby produkt mógł być używany do przenoszenia materiałów, wymagany jest kompatybilny żurawik. Nigdy nie wolno mocować ładunku bezpośrednio na podstawie żurawika.

Przed zabezpieczeniem ładunku należy sprawdzić, czy został on przygotowany do transportu.

Nigdy nie należy jednocześnie mocować do produktu materiałów i użytkowników.

Jeśli produkt był używany do przenoszenia materiałów, to przed kolejnym użyciem musi zostać sprawdzony przez kompetentną osobę. Lokalne przepisy lub normy mogą ograniczać zmienianie między podwieszaniem materiałów i ludzi.

1. **Zabezpieczenie żurawika.** Przymocować żurawik do podstawy żurawika zgodnie z instrukcją obsługi.
2. **Mocowanie podsystemu łączącego z żurawikiem.** Więcej informacji można znaleźć w instrukcjach producenta żurawika.
3. **Mocowanie linki asekuracyjnej do ładunku materiału.** W razie potrzeby obniżyć lub podnieść ładunek materiału.

Udźwig materiału

340 kg (750 lb)

5.0 Kontrola

Po wycofaniu sprzętu z eksploatacji nie można przywrócić go do eksploatacji, dopóki osoba kompetentna nie potwierdzi na piśmie, że jest to dopuszczalne.

5.1 Częstotliwość kontroli: Przed każdym użyciem urządzenia samohamowne (Self Retracting Lifeline, SRL) muszą być kontrolowane przez użytkownika oraz, dodatkowo, co najmniej z częstotliwością określoną poniżej, przez kompetentną osobę inną niż użytkownik. Wyższa częstotliwość użytkowania sprzętu i trudniejsze warunki mogą wymagać zwiększenia częstotliwości przeglądów przeprowadzanych przez osobę kompetentną. Częstotliwość tych przeglądów powinna zostać określona przez osobę kompetentną zgodnie z określonymi warunkami w miejscu pracy.

Obowiązująca norma lub region	Wymagana częstotliwość kontroli przez kompetentne osoby
ANSI i OSHA	Raz w roku
Normy EN	Raz w roku
AS/NZS	Raz w roku

5.2 Procedury kontrolne: Dokonywać przeglądu produktu według procedur podanych w „Dzienniku przeglądów i konserwacji”. Dokumentacja każdego przeglądu powinna być przechowywana przez właściciela tego sprzętu. Dziennik przeglądów i konserwacji należy umieścić w pobliżu produktu lub zapewnić jego łatwą dostępność dla użytkowników w inny sposób. Zaleca się oznaczenie produktu z podaniem daty następnego lub ostatniego przeglądu.

5.3 Wady: Jeśli produktu nie można przywrócić do eksploatacji z powodu istniejącej wady lub niebezpiecznego stanu, należy go zniszczyć lub wysłać do firmy 3M bądź centrum serwisowego autoryzowanego przez firmę 3M w celu naprawy.

5.4 Trwałość produktu: Okres eksploatacji produktu jest zależny od warunków pracy i konserwacji. Dopóki produkt spełnia kryteria kontroli, może pozostać w użyciu.

6.0 Konserwacja, przechowywanie i serwis

Sprzęt, który wymaga konserwacji lub którego konserwację zaplanowano, powinien zostać oznaczony napisem „NIE UŻYWAĆ”. Oznaczeń sprzętu nie należy usuwać do czasu przeprowadzenia konserwacji.

6.1 Czyszczenie: Należy okresowo czyścić metalowe elementy produktu ciepłą wodą i łagodnym roztworem z mydłem. Opłukać produkt czystą wodą, a następnie pozostawić do wyschnięcia na powietrzu. Więcej informacji można znaleźć w biuletynie technicznym na naszej stronie internetowej: <https://www.3M.com/FallProtection/Mechanical-Device-Cleaning>

6.2 Naprawa: Tylko firma 3M lub osoby upoważnione na piśmie przez firmę 3M mogą dokonywać napraw sprzętu.

6.3 Przechowywanie i transport: Produkt należy transportować i przechowywać w chłodnym, suchym i czystym otoczeniu z dala od bezpośredniego działania promieni słonecznych. Unikaj miejsc, w których mogą występować pary chemiczne. Należy dokładnie skontrolować elementy po dłuższym okresie przechowywania.

Podstawy, które są zainstalowane na stałe, nie powinny opuszczać miejsca pracy. Inne elementy można wyjąć z tych podstaw w celu przechowywania lub transportu, ale podstawa będzie musiała zostać na miejscu.

⚠WARNING:

Nagłe przejścia między ciepłym i ekstremalnie zimnym środowiskiem mogą wpłynąć na wydajność sprzętu. Urządzenia mechaniczne (takie jak sprzęt samohamowny, wciągarki, urządzenia wyciągowe, rękawy wspinaczkowe itp.) powinny być przystosowane do użytku w ekstremalnie niskich lub gorących temperaturach poprzez przechowywanie ich w temperaturach zbliżonych do środowiska pracy. Należy zawsze skontrolować sprzęt przed użyciem w jego środowisku pracy.

7.0 Etykiety i oznaczenia

7.1 Podsumowanie: Rysunek „Etykiety produktu” przedstawia etykiety i oznaczenia znajdujące się na produkcie. Poniżej znajduje się podsumowanie informacji zawartych na każdej etykiecie i oznaczeniu.

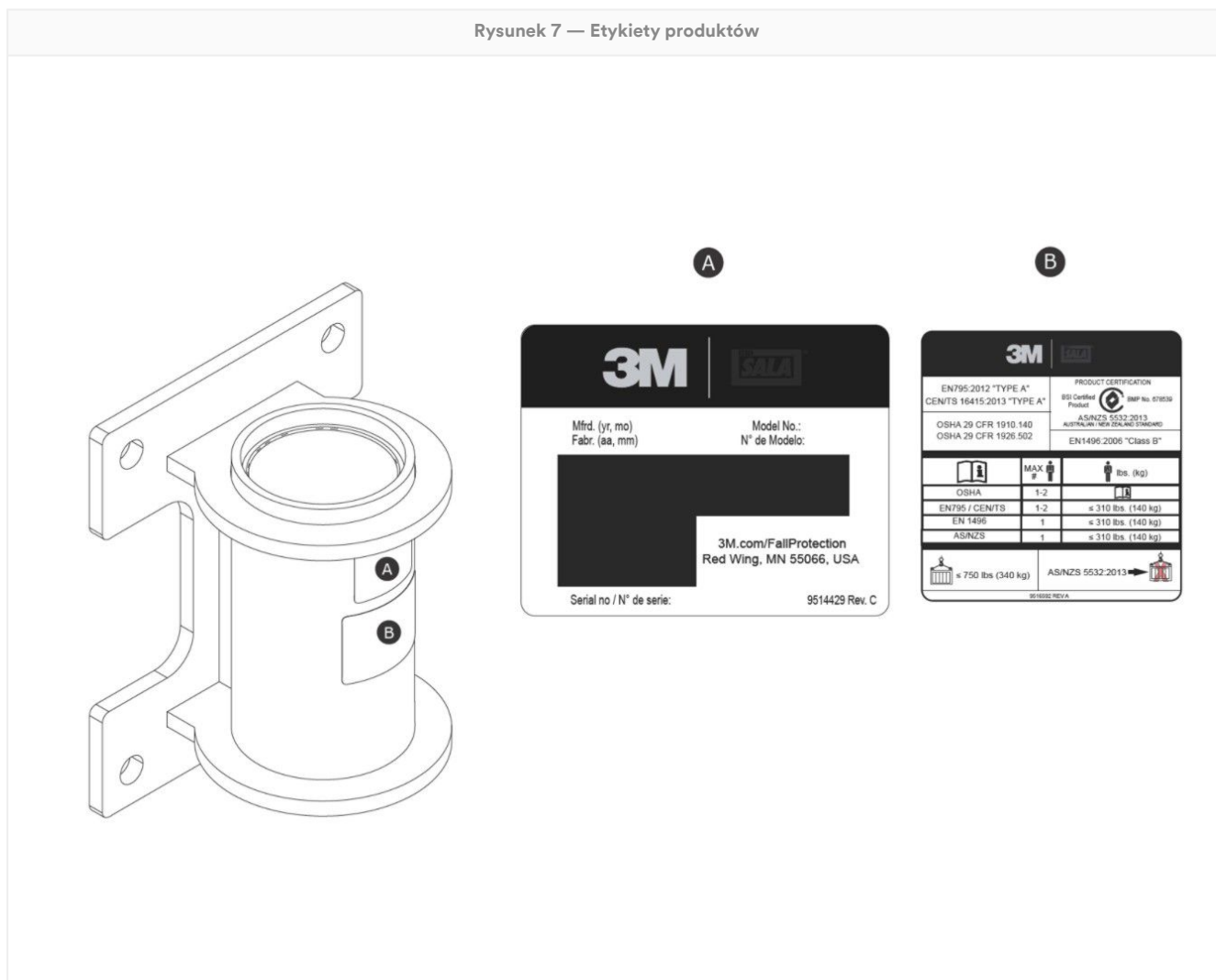
NOTICE:

Obrazy etykiet mają być reprezentatywne. Aby uzyskać szczegółowe informacje, zapoznaj się z etykietami produktów.

Brakujące lub nieczytelne etykiety należy wymienić. Wszystkie etykiety muszą być w pełni czytelne.

A	Etykieta ze specyfikacją produktu
B	Etykieta identyfikacyjna

Rysunek 7 — Etykiety produktów



Słowniczek

Definicje: W niniejszej instrukcji użyto następujących terminów i definicji:

Pełną listę terminów i definicji można znaleźć na naszej stronie internetowej: www.3m.com/FallProtection/ifu-glossary

- **Osoba upoważniona:** osoba wyznaczona przez pracodawcę do wykonywania obowiązków w miejscu, w którym pracownicy są zagrożeni upadkiem.
- **Kompetentna osoba:** osoba potrafiąca rozpoznać istniejące i możliwe do przewidzenia zagrożenia związane z otoczeniem lub warunkami pracy, które są niehigieniczne lub niebezpieczne dla pracowników; osoba taka jest też upoważniona do natychmiastowego podejmowania środków zaradczych w celu wyeliminowania tych zagrożeń.
- **System zabezpieczenia przed upadkiem:** zestaw sprzętu zabezpieczającego przed upadkiem skonfigurowany do ochrony użytkownika w razie upadku.
- **Osoba wykwalifikowana:** osoba dysponująca uznanym stopniem, certyfikatem lub pozycją zawodową, lub która — dzięki szerokiej wiedzy, przeszkoleniu i doświadczeniu — wykazała umiejętność usuwania lub rozwiązywania problemów związanych z systemami ratowniczymi i zabezpieczenia przed upadkiem w zakresie wymaganym przez stosowne przepisy krajowe, regionalne lub lokalne.
- **System ratowniczy:** sprzęt zabezpieczający przed upadkiem umożliwiający ewakuację osoby z obszaru zagrożonego w bezpieczne miejsce. Upadek swobodny nie jest dozwolony.
- **Ratownik:** osoba używająca systemu ratowniczego do przeprowadzenia wspólnej akcji ratunkowej.
- **System zabezpieczający przed upadkiem:** zestaw sprzętu zabezpieczającego przed upadkiem skonfigurowany w celu uniknięcia sytuacji, w której użytkownik byłby zagrożony upadkiem. Upadek swobodny nie jest dozwolony.
- **Użytkownik:** osoba wykonująca prace z wykorzystaniem systemu zabezpieczenia przed upadkiem.
- **System ustalający pozycję podczas pracy w podparciu:** zestaw sprzętu zabezpieczającego przed upadkiem skonfigurowany do utrzymywania użytkownika w pozycji roboczej.

Dziennik kontroli i konserwacji

Ta tabela powinna być używana do każdej kontroli. Należy zapisać poniższe informacje.

Producent: 3M Fall Protection

Numer modelu (numer seryjny):

Data zakupu:

Data pierwszego użycia:

Przed każdym użyciem produktu użytkownik powinien dokonać jego przeglądu. Urządzenie musi także sprawdzać kompetentna osoba (inna niż użytkownik) w odstępach czasu określonych w punkcie 5.

Element	Procedura przeglądu	Wynik kontroli (pozytywny/negatywny)
Produkt (Rysunek 2)	Skontrolować podstawę żurawika pod kątem uszkodzeń, odkształceń, korozji i rdzy. W trakcie kontroli należy zwrócić uwagę na ewentualne pęknięcia, zagięcia, wgniecenia lub zużycie mogące wpłynąć na wytrzymałość i działanie systemu. Podczas oceny pod kątem korozji należy też skontrolować urządzenie kotwiące, jego mocowania lub elementy złączne oraz konstrukcję, do której jest przymocowane.	
	Skontrolować wszystkie elementy złączne pod kątem uszkodzeń oraz korozji. Dokręcić w razie potrzeby.	
	Sprawdzić wszystkie ruchome części pod kątem wiórów, pęknięć, pęknięć lub zużytych obszarów, które mogą powodować nieprawidłowe działanie podczas pracy.	
Etykiety	Wszystkie etykiety muszą znajdować się na miejscu i być w pełni czytelne.	
Sprzęt zabezpieczający przed upadkiem	Dodatkowy sprzęt zabezpieczający przed upadkiem używany z tym produktem jest zamontowany i przechodzi przegląd zgodnie z instrukcjami producenta. Sprawdzić, czy wytrzymałość każdego z tych produktów jest zgodna i wystarczająca do danego zastosowania.	

Podsumowanie kontroli produktu

Jeśli produkt nie przejdzie jednej z procedur przeglądu, oznacza to niespełnienie kryteriów całego przeglądu. Jeśli produkt nie przejdzie przeglądu, należy natychmiast wycofać go z eksploatacji. Umieścić na produkcie wyraźne oznaczenie „NIE UŻYWAĆ”. Więcej informacji znajduje się w punkcie 5.


Typ przeglądu:	<input type="checkbox"/> Użytkownik	<input type="checkbox"/> Osoba kompetentna	Ogólny wynik kontroli:	
Skontrolowane przez:			Data przeglądu:	
Podpis:			Data następnego przeglądu:	
Dodatkowe uwagi:				

Certyfikaty

Produkt spełnia wymagania krajowych i regionalnych norm podanych na okładce niniejszej instrukcji. Certyfikacja i zgodność z przepisami mogą być ograniczone do poszczególnych modeli produktów lub zastosowań.

Więcej informacji na temat wymagań certyfikacyjnych lub zgodności można znaleźć w odpowiednich normach i przepisach wymienionych dla danego produktu.

Użytkownicy, których dotyczą normy AS/NZS, powinni zapoznać się z normą AS/NZS 1891.4 w celu uzyskania informacji na temat wyboru, użytkowania, konserwacji i wymagań szkoleniowych.

<p>Produkt z certyfikatem BSI</p> <p>AS/NZS 5532:2013</p> <p>Licencja: BMP 678539</p>	<p>BSI – siedziba główna Suite 1, Level 1, 54 Waterloo Road Macquarie Park, NSW, 2113 Australia</p>	
---	---	---

Globalna gwarancja na produkt, ograniczone środki zaradcze i ograniczenie odpowiedzialności

Gwarancja: Poniższe postanowienia zastępują wszystkie gwarancje lub warunki, wyraźne lub domniemane, w tym domniemane gwarancje lub warunki sprzedaży albo przydatności do określonego celu.

O ile lokalne prawo nie przewiduje inaczej, produkty 3M służące do zabezpieczenia przed upadkiem są objęte gwarancją na wady fabryczne, w tym wady materiałowe i wykonawcze przez okres jednego roku od daty ich montażu lub pierwszego użycia przez pierwotnego właściciela.

Ograniczone środki zaradcze: Po pisemnym powiadomieniu firma 3M naprawi lub wymieni produkt uznany przez 3M za wadliwy w zakresie wykonawstwa lub zastosowanych materiałów. Firma 3M zastrzega sobie prawo do zażądania zwrotu produktu do swojego zakładu w celu oceny roszczeń gwarancyjnych. Niniejsza gwarancja nie obejmuje uszkodzeń produktu spowodowanych zużyciem, niewłaściwym użytkowaniem, uszkodzeniem w transporcie, brakiem konserwacji produktu lub innymi uszkodzeniami pozostającymi poza kontrolą firmy 3M. Firma 3M będzie jedynym podmiotem oceniającym stan produktu i opcje gwarancyjne.

Niniejsza gwarancja dotyczy wyłącznie pierwotnego nabywcy i jest jedyną gwarancją obejmującą produkty 3M służące do ochrony przed upadkiem z wysokości. W celu uzyskania pomocy prosimy o kontakt z działem obsługi klienta firmy 3M w swoim regionie.

Ograniczenie odpowiedzialności: W zakresie dozwolonym przez lokalne prawo firma 3M nie ponosi odpowiedzialności za jakiegokolwiek pośrednie, przypadkowe, nadzwyczajne lub wynikowe szkody, w tym m.in. utratę zysków, w jakiegokolwiek sposób związane z produktem, niezależnie od przedstawionej podstawy prawnej.

Base de braço elevatório de montagem na parede 3M™ DBI-SALA®

Instruções de utilização

Número do formulário: 5903663, Revisão: F

Este produto está certificado ou em conformidade com as seguintes normas e regulamentos. A certificação e a conformidade podem ser restritas a modelos de produtos ou aplicações individuais. Para obter mais informações, consulte *Certificações*.

- OSHA 29 CFR 1910.140, 1926.502
- EN 795:2012 (Tipo A)
- CEN/TS 16415:2013 (Tipo A)
- EN 1496:2006 (Cláusula 4.6)
- AS/NZS 5532:2013

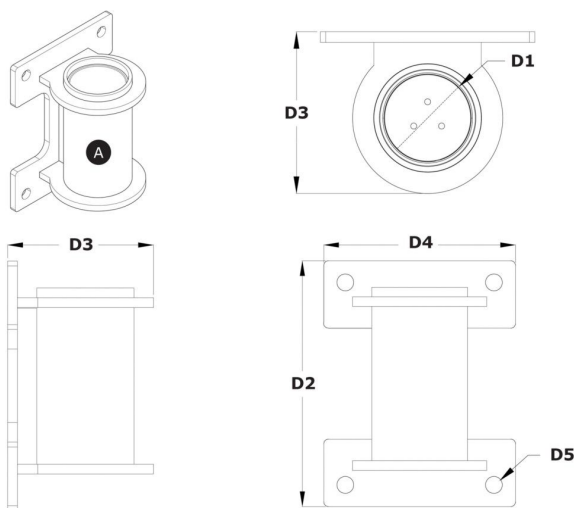
⚠WARNING:

Para a identificação dos códigos dos produtos, consultar os quadros de especificações dos produtos. Consulte a Descrição geral do produto para obter mais informações sobre o produto.

Alguns componentes podem não ser certificados individualmente e podem exigir que o conjunto cumpra os requisitos de certificação.

Figura 1 - Visão geral do produto

Modelo	Estilo	D1	D2	D3	D4	D5	Peso do produto
8000101	A	10,2 cm (4,0 polegadas)	32,4 cm (12,75 polegadas)	19,0 cm (7,5 polegadas)	25,4 cm (10,0 pol.)	22,2 mm (0,88 polegadas)	15,7 kg (34,0 lb)
8000102	A	10,2 cm (4,0 polegadas)	32,4 cm (12,75 polegadas)	19,0 cm (7,5 polegadas)	25,4 cm (10,0 pol.)	22,2 mm (0,88 polegadas)	15,7 kg (34,0 lb)



Informações de segurança

Certifique-se de que lê, compreende e segue todas as informações de segurança contidas nestas instruções antes de utilizar este produto. O INCUMPRIMENTO DESTAS INSTRUÇÕES PODERÁ RESULTAR EM LESÕES GRAVES OU MORTE.

Estas instruções têm de ser fornecidas ao utilizador do equipamento. Guarde estas instruções para referência futura.

Informações de segurança

Formulário: 5908277, Revisão: B

Utilização prevista

Este produto é utilizado como parte de um sistema completo de proteção antiqueda.

A sua utilização noutras circunstâncias incluindo, sem limitações, atividades de manuseamento de materiais não aprovados, atividades recreativas ou relacionadas com desporto ou outras atividades não descritas nestas instruções, não está aprovada pela 3M e pode resultar em ferimentos graves ou morte.

Este produto só deve ser utilizado por pessoas que tenham recebido formação no local de trabalho.

Aviso

Este produto é utilizado como parte de um sistema completo de proteção antiqueda.

Todos os utilizadores devem receber formação quanto à instalação e manuseamento seguros do seu sistema completo de proteção antiqueda. A má utilização deste produto pode resultar em ferimentos graves ou morte. Para uma seleção, manuseamento, instalação, manutenção e serviço adequados, consulte todos os manuais de instruções e recomendações do fabricante. Para mais informações, consulte o seu supervisor ou contacte os serviços técnicos da 3M.

- **Reduzir os riscos associados à utilização de um Sistema de entrada-Resgate em espaço confinado que, se não for evitado, poderia resultar em ferimentos graves ou morte:**
 - Inspeccione o produto antes de cada utilização e após cada incidente de queda, de acordo com os procedimentos especificados nestas instruções.
 - Se a inspeção revelar condições perigosas ou defeituosas, remova o produto imediatamente de serviço e sinalize-o claramente com a mensagem “NÃO UTILIZAR”. Destrua ou repare o produto conforme previsto nestas instruções.
 - Qualquer produto que tiver sido sujeito a forças de detenção da queda ou de impacto, deve ser imediatamente retirado de serviço. Destrua ou repare o produto conforme previsto nestas instruções.
 - Assegure-se de que os sistemas de proteção antiqueda, montados com componentes produzidos por diferentes fabricantes, são compatíveis e satisfazem todos os regulamentos, normas ou requisitos de proteção antiqueda aplicáveis. Consulte sempre uma Pessoa competente ou qualificada antes de utilizar estes sistemas.
 - O produto só deve ser instalado conforme descrito nos seus manuais de instruções. As instalações e utilização fora do âmbito destes manuais de instruções devem ser aprovadas por escrito pela 3M.
 - Conecte apenas os subsistemas de proteção antiqueda aos pontos de ligação de ancoragem designados no produto.
 - Antes de instalar, certifique-se de que os métodos de instalação e o produto não interferirão com linhas elétricas, linhas de gás ou outros materiais ou sistemas críticos.
 - Certifique-se de que o produto é configurado e instalado corretamente para um manuseamento seguro, tal como descrito nestas instruções.
 - Não torça, amarre, dê nós nem permita que haja folgas no cabo de segurança.
 - Não ultrapasse o número de utilizadores permitidos especificado nestas instruções.
 - Tenha cautela ao instalar, utilizar ou mover o produto, uma vez que as partes móveis podem criar pontos de compressão.
 - Os procedimentos de bloqueio/sinalização devem ser seguidos quando aplicável.
 - Não ligue ao sistema enquanto estiver a ser transportado ou instalado.
- **Para minimizar os riscos associados à utilização em trabalhos em altura que, caso não sejam evitados, podem resultar em ferimentos graves ou morte:**
 - A sua saúde e condição física devem permitir-lhe trabalhar em segurança em alturas e resistir a todas as forças associadas a um evento de detenção da queda. Consulte o seu médico caso tenha questões quanto à sua capacidade de utilizar este equipamento.
 - Nunca exceda a capacidade permitida do seu equipamento de proteção antiqueda.
 - Nunca exceda a distância de queda livre máxima especificada para o seu equipamento de proteção antiqueda.
 - Não utilize qualquer equipamento de proteção antiqueda que não faça/reprove nas inspeções ou caso tenha dúvidas quanto à utilização ou adequação do equipamento. Contacte os serviços de apoio ao cliente da 3M se tiver dúvidas.
 - Algumas combinações de subsistemas e componentes podem interferir com o funcionamento deste equipamento. Utilize apenas ligações compatíveis. Contacte os serviços de apoio ao cliente da 3M antes de utilizar este equipamento em combinação com os componentes ou subsistemas diferentes dos descritos nestas instruções.
 - Tome precauções adicionais ao trabalhar perto de maquinaria em movimento, quanto a perigos elétricos, temperaturas extremas, perigos químicos, gases explosivos ou tóxicos, extremidades afiadas, superfícies abrasivas ou materiais suspensos que possam cair em cima de si ou do seu equipamento de proteção antiqueda.
 - Certifique-se de que a utilização do seu produto é avaliada em função dos perigos presentes no seu ambiente de trabalho.
 - Certifique-se de que existe uma folga de queda suficiente ao trabalhar em alturas.
 - Nunca modifique ou altere o equipamento de proteção antiqueda. Apenas a 3M ou pessoas com autorização escrita da 3M podem efetuar reparações ao equipamento da 3M.
 - Antes de utilizar equipamento de proteção antiqueda, certifique-se de que existe um plano de resgate escrito para levar a cabo um resgate imediato caso ocorra um incidente de queda.
 - No caso de um incidente de queda, solicite imediatamente ajuda médica para o trabalhador que caiu.
 - Utilize apenas um arnês de corpo inteiro para aplicações de detenção da queda. Não utilize um arnês de cintura.
 - Minimize as quedas com oscilação trabalhando o mais diretamente possível abaixo do ponto de ancoragem.
 - Deve ser utilizado um sistema secundário de proteção antiqueda quando se recebe formação com este produto. Os formandos não devem ser expostos a um risco de queda não intencional.
 - Utilize sempre equipamento de proteção individual adequado durante a instalação, utilização ou inspeção do produto.
 - Nunca trabalhe debaixo de uma carga ou de um trabalhador suspenso(a).
 - Mantenha sempre 100% amarrado.

Visão geral do produto

Certifique-se sempre de que está a utilizar a versão mais recente do seu manual de instruções da 3M. Visite www.3m.com/userinstructions ou contacte os Serviços de apoio ao cliente da 3M para obter manuais de instruções atualizados.

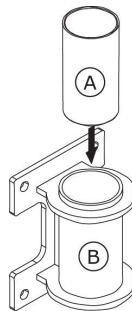
Antes de utilizar este equipamento, registe os dados de identificação do produto presentes na etiqueta de identificação no "Registo de inspeção e manutenção", no verso deste manual.

A Figura 1 ilustra os modelos de produtos disponíveis. As bases de braços elevatórios servem como a parte do sistema de braços elevatórios que ajuda a fixá-los ao solo. O braço elevatório é fixado à base e funciona como um ponto de ancoragem ajustável e móvel para o utilizador. Consulte as instruções do fabricante do braço elevatório ou sistema de braços elevatórios compatíveis para obter mais informações sobre as aplicações do sistema.

A Figura 2 identifica os principais componentes dos modelos de produtos disponíveis. A base de braço elevatório é composta por duas peças: um forro (A) e uma manga de braço elevatório (B). O forro permite que um braço elevatório fixo rode livremente na manga do braço. A manga inclui uma placa de montagem para fixar a base do braço elevatório a uma estrutura.

Cada modelo de produto tem as suas próprias especificações, conforme indicado na Figura 1. Consulte as tabelas de especificações do produto para obter mais informações.

Figura 2 - Componentes



Tabelas de especificações de produtos

Especificações do sistema

Capacidade do utilizador:	Consulte as instruções do fabricante para modelos de braços elevatórios compatíveis para obter mais informações sobre a capacidade do sistema.
Normas:	Cada modelo de produto é certificado ou está em conformidade com as normas e regulamentos aplicáveis indicados na Figura 1. Se nenhum for especificado, são aplicáveis todas as normas e regulamentos indicados na capa.

Especificações dos componentes

Referência na Figura 2	Componente	Materiais
A	Forro	Polietileno de alta densidade
B	Manga de braço elevatório	8000101: Aço de carbono galvanizado
		8000102: Aço inoxidável

1.0 Aplicação do produto

1.1 Finalidade: Os sistemas de braço elevatório funcionam como estruturas de ancoragem móveis para sistemas de proteção antiqueda. A montagem e os componentes variam consoante o sistema. Para mais informações sobre as aplicações do sistema, consulte a secção "Visão geral do produto" e quaisquer secções sobre a instalação ou utilização.

1.2 Supervisão: O uso deste equipamento tem que ser supervisionado por uma Pessoa competente. A instalação deste equipamento deve ser supervisionada por uma Pessoa competente. Uma Pessoa qualificada tem de confirmar que a instalação cumpre os regulamentos locais e federais. A colocação dos elementos de fixação e da base do braço elevatório também tem de ser aprovada por uma Pessoa qualificada.

1.3 Revenda e distribuição: Se este produto for revendido fora do país de destino original, o revendedor deverá fornecer estas instruções na língua do país no qual o produto será utilizado.

1.4 Formação: Este equipamento deve ser instalado e utilizado por pessoas que tenham recebido formação quanto à sua aplicação correta. Estas instruções devem ser utilizadas como parte de um programa de formação de funcionários, conforme exigido pelos regulamentos nacionais, regionais ou locais. É da responsabilidade dos utilizadores e dos instaladores deste equipamento garantir que estão familiarizados com estas instruções, que receberam formação sobre a manutenção e utilização corretas deste equipamento e que têm conhecimento das características de funcionamento, dos limites de aplicação e das consequências da utilização indevida do mesmo.

1.5 Plano de resgate: Quando utilizar este equipamento e subsistemas de ligação, a entidade patronal tem de ter um plano de resgate escrito e os meios para implementar e comunicar esse plano aos utilizadores, pessoas autorizadas e socorristas/resgatadores. Recomenda-se a presença de uma equipa de resgate com formação no local. Os membros da equipa devem receber o equipamento e conhecer as técnicas necessárias para realizar um resgate bem-sucedido. A formação deve ser fornecida periodicamente para assegurar a competência técnica da equipa de resgate. Os socorristas devem receber estas instruções. Deve existir contacto visual ou um meio de comunicação em todos os momentos com a pessoa a ser resgatada durante o processo de resgate.

2.0 Requisitos do sistema

2.1 Ancoragem: A estrutura de ancoragem que fixa este produto deve conseguir suportar quaisquer cargas necessárias, conforme permitido pelo respetivo sistema de proteção antiqueda. Veja a Secção 4 para mais informações.

2.2 Capacidade: A capacidade do utilizador de um sistema completo de proteção antiqueda é limitada pelo seu componente de capacidade máxima nominal mais baixa. Por exemplo, se o subsistema de ligação tem uma capacidade inferior à do seu arnês, é necessário cumprir os requisitos de capacidade do subsistema de ligação. Consulte as instruções do fabricante para cada componente do seu sistema para saber as necessidades de capacidade.

2.3 Riscos ambientais: Poderão ser necessárias precauções acrescidas na utilização deste equipamento em áreas com perigos ambientais a fim de evitar lesões no utilizador ou danos no equipamento. Os perigos podem incluir (embora sem carácter limitativo): temperaturas elevadas, químicos, ambientes corrosivos, linhas de alta tensão, gases explosivos ou tóxicos, máquinas em movimento, extremidades afiadas ou materiais suspensos que possam cair e atingir o utilizador ou equipamento. Entre em contacto com o serviço de apoio ao cliente da 3M para obter mais esclarecimentos.

2.4 Perigos da linha da vida: Certifique-se de que a corda de segurança é mantida sem qualquer perigo, incluindo, entre outros: entrelaçamento com utilizadores, outros trabalhadores, máquinas em movimento, outros objetos circundantes, ou impacto de objetos suspensos que possam cair sobre o cabo de segurança ou utilizadores.

2.5 Compatibilidade dos componentes: O equipamento 3M foi projetado para ser utilizado com equipamento da 3M. A utilização com equipamento que não seja da 3M deve ser aprovado por uma pessoa competente. Substituições feitas com equipamentos não aprovados podem comprometer a compatibilidade do equipamento e podem afetar a segurança e a fiabilidade do seu sistema de proteção antiqueda. Leia e siga todas as instruções e avisos de todos os equipamentos antes de usar.

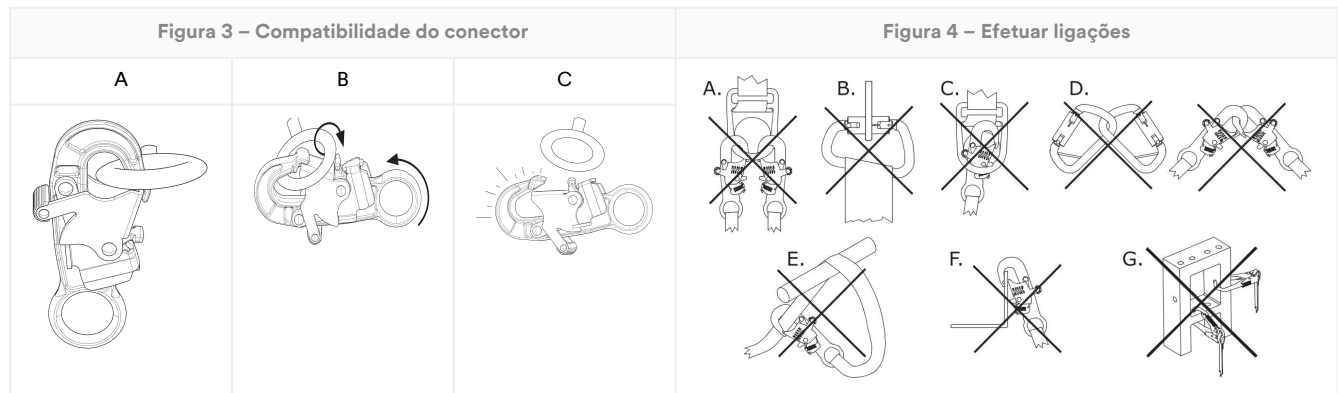
2.6 Compatibilidade dos conectores: Os conectores são compatíveis com elementos de conexão quando o tamanho e a forma de qualquer um dos componentes não faz com que o conector abra inadvertidamente, independentemente da orientação. Os conectores devem estar em conformidade com as normas aplicáveis. Os conectores devem estar totalmente fechados e travados durante a utilização.

Os conectores 3M (mosquetões e ganchos de engate rápido) foram concebidos para serem utilizados apenas como indicado em cada manual de instruções. Certifique-se de que os conectores são compatíveis com os componentes do sistema aos quais estão conectados. Não utilize equipamento que não seja compatível. A utilização de componentes não compatíveis pode fazer com que o conector se desengate involuntariamente. Consulte a figura para referência. Se o elemento de ligação ao qual se fixa o conector for demasiado pequeno ou tiver uma forma irregular, pode ocorrer um

problema onde o elemento de ligação aplica uma força no trinco do conector (A). Esta força pode então fazer com que o trinco se abra (B), desengatando o conector do elemento de conexão (C).

2.7 Efetuar ligações: Os conectores têm de ser compatíveis em tamanho, forma e resistência. Consulte a figura para visualizar exemplos de ligações incorretas. Não ligue mosquetões e ganchos de engate rápido:

1. A um anel em D que esteja preso a outro conector.
2. De uma maneira que possa resultar numa carga sobre o trinco. Os ganchos de engate de abertura ampla não devem ser conectados a anéis de ancoragem ou outros elementos de ligação, a menos que o trinco do gancho de engate tenha uma resistência a uma força de 16 kN (3600 lbf) ou superior.
3. Numa falsa ligação, na qual o tamanho ou a forma do conector ou elementos de ligação não são compatíveis e, sem confirmação visual, parecem estar plenamente engatados.
4. Entre si.
5. Diretamente à malha de rede do arnês, ao material da perna do cabo de amarração ou ao material de fixação, a menos que tal ligação seja explicitamente permitida pelas instruções do fabricante.
6. Para qualquer objeto cujo tamanho ou forma não permita que o conector feche e bloqueie totalmente, ou que possa causar o deslizamento do conector.
7. De uma maneira que não permita ao conector ficar corretamente alinhado quando estiver sujeito a carga.



3.0 Instalação

3.1 Visão geral: A instalação de um sistema de braço elevatório pode ser um procedimento moroso com várias etapas. Um planeamento eficaz e o conhecimento da sua área de trabalho e do seu equipamento são de grande ajuda para que este processo decorra da melhor forma possível.

3.2 Planeamento: Planeie o seu sistema de proteção antiqueda antes de iniciar o trabalho. Tenha em consideração todos os fatores que possam afetar a sua segurança antes, durante e após uma queda. Tenha em consideração todos os requisitos e limitações especificadas nestas instruções.

1. **Arestas afiadas:** Evite trabalhar em locais em que os componentes do sistema estejam em contacto ou raspem contra arestas afiadas desprotegidas ou superfícies abrasivas. Todas as arestas aguçadas e superfícies abrasivas devem ser cobertas com material de proteção.
2. **Compatibilidade:** Ao instalar o seu sistema, é importante que utilize componentes compatíveis. Cada modelo de produto é compatível para utilização com um conjunto específico de modelos ou designs de produtos.

A base do braço elevatório pode igualmente receber quaisquer extensões do mastro da base elevatória que sejam compatíveis com as bases enumeradas.

Modelos de braços elevatórios compatíveis	Instruções de utilização do braço elevatório
8000107	5908417
8000108	5908417
8000130	5908364
8000131	5908364

3.3 Instalar a base de braço elevatório: Instale a base do braço elevatório de acordo com as instruções fornecidas para o modelo do seu produto.

A superfície da estrutura de ancoragem deve ser limpa de quaisquer detritos antes de instalar a base do braço elevatório.

A. **Base de braço elevatório de montagem na parede:** A base do braço elevatório deve ser preparada antes da utilização.

1. **Preparar o local.** Selecione uma superfície de montagem adequada para instalar a base do braço elevatório e, em seguida, determine o local onde a base deve ser instalada. Tem de haver um recuo suficiente em relação ao bordo (A) e uma espessura de material (B) para suportar os requisitos de resistência da sua estrutura e sistema. Marque e, em seguida, perfure todos os orifícios de montagem com a profundidade e diâmetros recomendados pelo fabricante do elemento de fixação.

A base do braço elevatório deve ser instalada numa superfície plana e vertical.

2. **Coloque a base do braço elevatório.** Alinhar os orifícios da placa de montagem com os orifícios perfurados. A base do braço elevatório deve ser posicionada a mais ou menos 1 grau da vertical.
3. **Fixar a base de braço elevatório.** Fixe a base do braço elevatório utilizando os fixadores selecionados, conforme especificado nas instruções do fabricante dos fixadores.

Figura 6 - Instalação da base de braço elevatório para montagem na parede

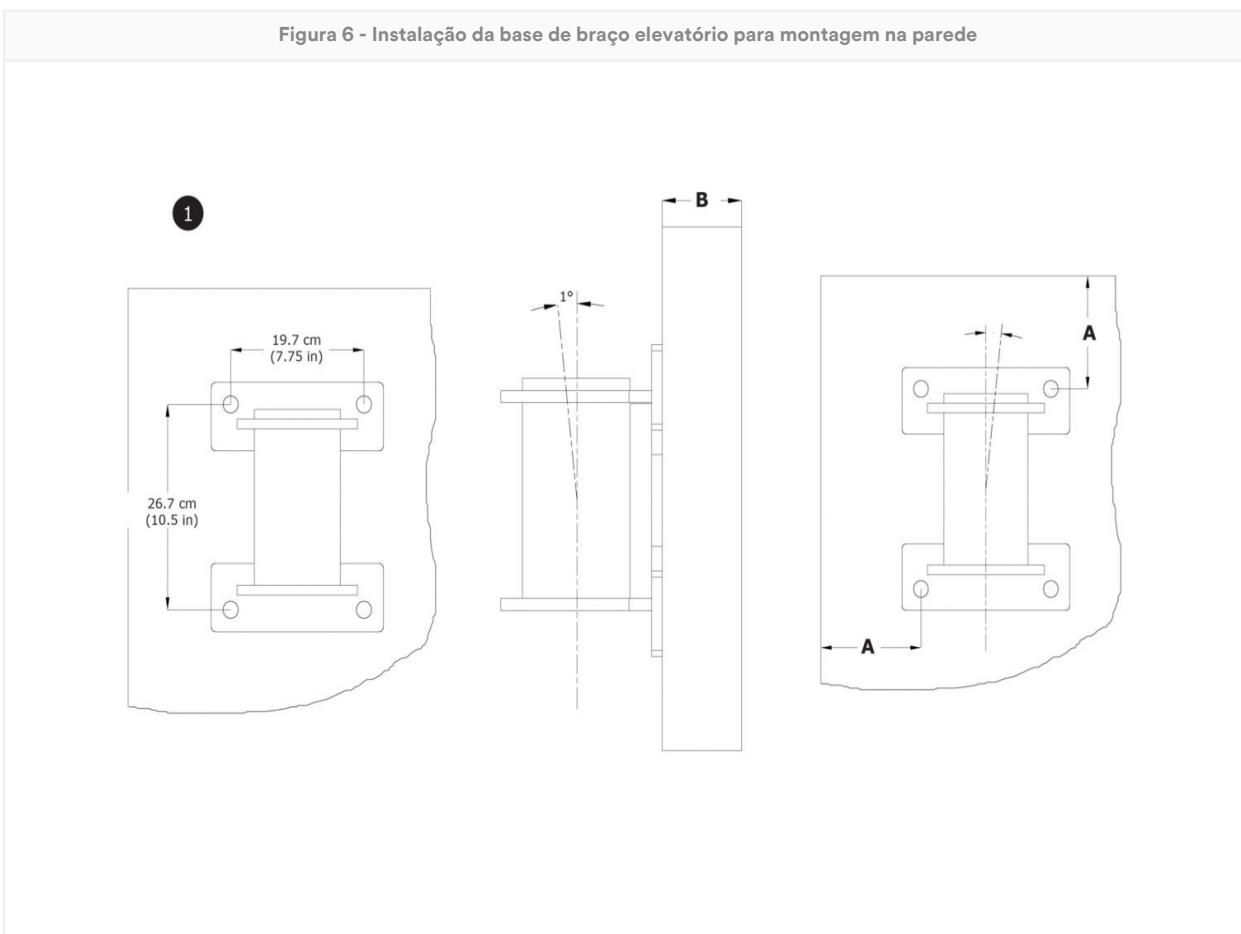
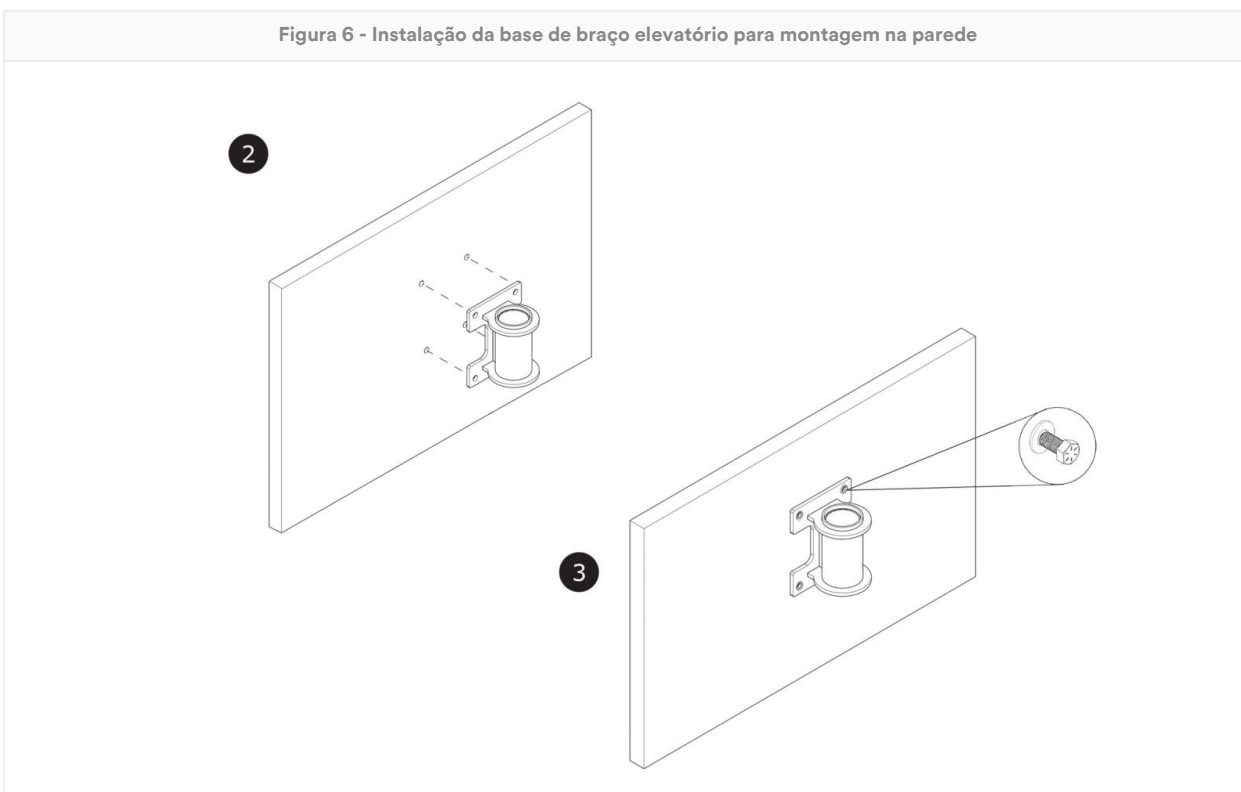


Figura 6 - Instalação da base de braço elevatório para montagem na parede



3.4 Fixação do braço elevatório: Depois de a base do braço elevatório ter sido instalada, o utilizador pode fixar o braço ou o mastro do braço elevatório à base. O braço elevatório deve ser fixado ao poste de montagem ou no interior da manga da base do braço elevatório, conforme aplicável à base do braço elevatório que está a utilizar. Verifique se o braço elevatório está seguro e se as guias ou os pinos de bloqueio são utilizados corretamente. Consulte as instruções do fabricante do braço elevatório ou base de braço elevatório para mais informações.

4.0 Utilização

4.1 Antes de cada utilização: Confirme que a sua área de trabalho e o sistema de Proteção antiqueda cumprem todos os critérios definidos nestas instruções. Verifique se há um Plano de resgate formal em vigor. Inspeccione o produto de acordo com os pontos de inspeção do "Utilizador" definidos em "Registo de inspeção e manutenção". Se a inspeção revelar condições perigosas ou defeituosas, ou se surgir alguma dúvida sobre o seu estado para garantir uma utilização segura, retire imediatamente o produto de serviço. Sinalize claramente o produto com a mensagem "NÃO UTILIZAR". Veja a Secção 5 para mais informações.

4.2 Ancoragem: Para além da capacidade do produto, qualquer sistema de proteção antiqueda deve ter em conta a resistência de quaisquer estruturas ou componentes de suporte.

1. **Estrutura de ancoragem:** A estrutura de ancoragem que fixa este produto deve conseguir suportar quaisquer cargas necessárias, conforme permitido pelo sistema de proteção antiqueda deste produto.

Carga de momento	136.400 in-lb. (15,41 kN*m)
------------------	-----------------------------

2. **Pontos de ligação da ancoragem:** Os pontos de ligação de ancoragem utilizados com o produto devem ser capazes de conseguir suportar quaisquer cargas aplicadas pelo produto.
3. **Elementos de fixação:** Os fechos que fixam o produto no lugar devem ser suficientemente fortes para o manter seguro durante a utilização. Consulte as instruções do fabricante dos fixadores para obter mais informações.

Força de extração do elemento de fixação	8,000 lbf (35,59 kN)
Resistência ao cisalhamento por fixador	22,2 kN (5000 libras-pé)

4.3 Após uma queda: Se este equipamento for sujeito a queda ou forças de impacto, retire imediatamente o dispositivo de serviço. Identifique-o claramente com a mensagem "NÃO UTILIZAR". Veja a Secção 5 para mais informações.

4.4 Manuseamento de material: A 3M permite a utilização deste produto para manuseamento de materiais, conforme indicado. Os regulamentos ou normas locais podem ter restrições adicionais ou podem regular a utilização de equipamento de proteção contra quedas para manuseamento de materiais.

⚠CAUTION:

Este produto deve ser utilizado com um braço elevatório compatível para poder ser utilizado na movimentação de materiais. Nunca fixe uma carga de material diretamente na base do braço elevatório.

Antes de acondicionar a carga de material, verificar se este foi preparado para o transporte.

Nunca fixar este produto a materiais e utilizadores em simultâneo.

O produto utilizado para manuseamento de materiais deve ser inspeccionado por uma pessoa competente antes da sua próxima utilização. Os regulamentos ou normas locais podem restringir a alternância entre a utilização pessoal e o manuseamento de materiais.

1. **Fixe o braço elevatório.** Fixe o braço elevatório à base do mesmo, conforme especificado nas respetivas instruções de utilização.
2. **Fixar um subsistema de ligação ao braço elevatório.** Consulte as instruções do fabricante do braço elevatório para obter mais informações.
3. **Fixe a linha de vida à sua carga de material.** Baixar ou aumentar a carga de material, se necessário.

Capacidade de manuseamento de material

340 kg (750 lb)

5.0 Inspeção

Após o equipamento ser retirado de serviço, não pode voltar ao serviço até ser confirmado por escrito por uma Pessoa competente que pode fazê-lo.

5.1 Frequência de inspeção: O produto deverá ser inspecionado antes de cada utilização pelo utilizador e, adicionalmente, por uma Pessoa competente diferente do utilizador nos intervalos especificados abaixo. Uma frequência mais alta de utilização do equipamento e condições mais severas podem exigir o aumento da frequência das inspeções de uma Pessoa competente. A frequência destas inspeções deve ser determinada pela Pessoa competente de acordo com as condições específicas do local de trabalho.

Norma ou região aplicável	Frequência exigida para as inspeções de pessoas competentes
ANSI e OSHA	Uma vez por ano
Normas EN	Uma vez por ano
AS/NZS	Uma vez por ano

5.2 Procedimentos de inspeção: Inspeccione este produto de acordo com os procedimentos indicados em "Registo de inspeção e manutenção". A documentação de cada inspeção deve ser mantida pelo proprietário deste equipamento. Um registo de inspeção e manutenção deve ser colocado próximo do produto ou ser facilmente acessível aos utilizadores. Recomenda-se que o produto seja identificado com a data da próxima ou da última inspeção.

5.3 Defeitos: Se não for possível voltar a colocar o produto em serviço devido a um defeito existente ou estado que não ofereça segurança, o produto deverá ser destruído ou enviado para a 3M ou para um centro de reparação autorizado da 3M para substituição ou reparação.

5.4 A vida funcional do produto: a vida funcional do produto é determinada pelas condições de trabalho e manutenção. Enquanto o produto passar os critérios de inspeção, poderá continuar a ser utilizado.

6.0 Manutenção, armazenamento e reparação

Os equipamentos que precisam de manutenção ou estão programados para manutenção devem ter a etiqueta "NÃO UTILIZAR". Estas etiquetas de equipamento não devem ser removidas a manutenção ser realizada.

6.1 Limpeza: Limpe periodicamente os componentes metálicos do produto com água morna e uma solução de detergente suave. Enxague o produto com água limpa e deixe-o secar ao ar. Para obter mais informações, consulte o boletim técnico no nosso site: <https://www.3M.com/FallProtection/Mechanical-Device-Cleaning>

6.2 Reparação: Apenas a 3M ou terceiros com autorização escrita pela 3M podem efetuar reparações neste equipamento.

6.3 Armazenamento e transporte: Armazene e transporte o produto num ambiente seco, fresco e limpo, longe da incidência direta da luz solar. Evite áreas onde possam existir vapores químicos. Inspeccione minuciosamente os componentes após armazenamento prolongado.

As bases instaladas de forma permanente não devem abandonar o local de trabalho. Outros componentes podem ser removidos destas bases para armazenamento ou transporte, mas a base terá de permanecer.

⚠WARNING:

As transições súbitas entre ambientes quentes e extremamente frios podem afetar o desempenho do seu equipamento. Os dispositivos mecânicos (tais como dispositivos auto-retrácteis, guinchos, dispositivos de recuperação, mangas de escalada, etc.) devem ser adaptados para utilização em condições de frio ou calor extremos, armazenando-os a temperaturas semelhantes às do ambiente de trabalho. Efetue sempre uma inspeção pré-utilização do seu equipamento no ambiente de trabalho antes de o utilizar.

7.0 Etiquetas e marcações

7.1 Resumo: A figura "Rótulos de produtos" ilustra as etiquetas e marcações presentes no produto. Ver abaixo um resumo das informações fornecidas com cada etiqueta e marcação.

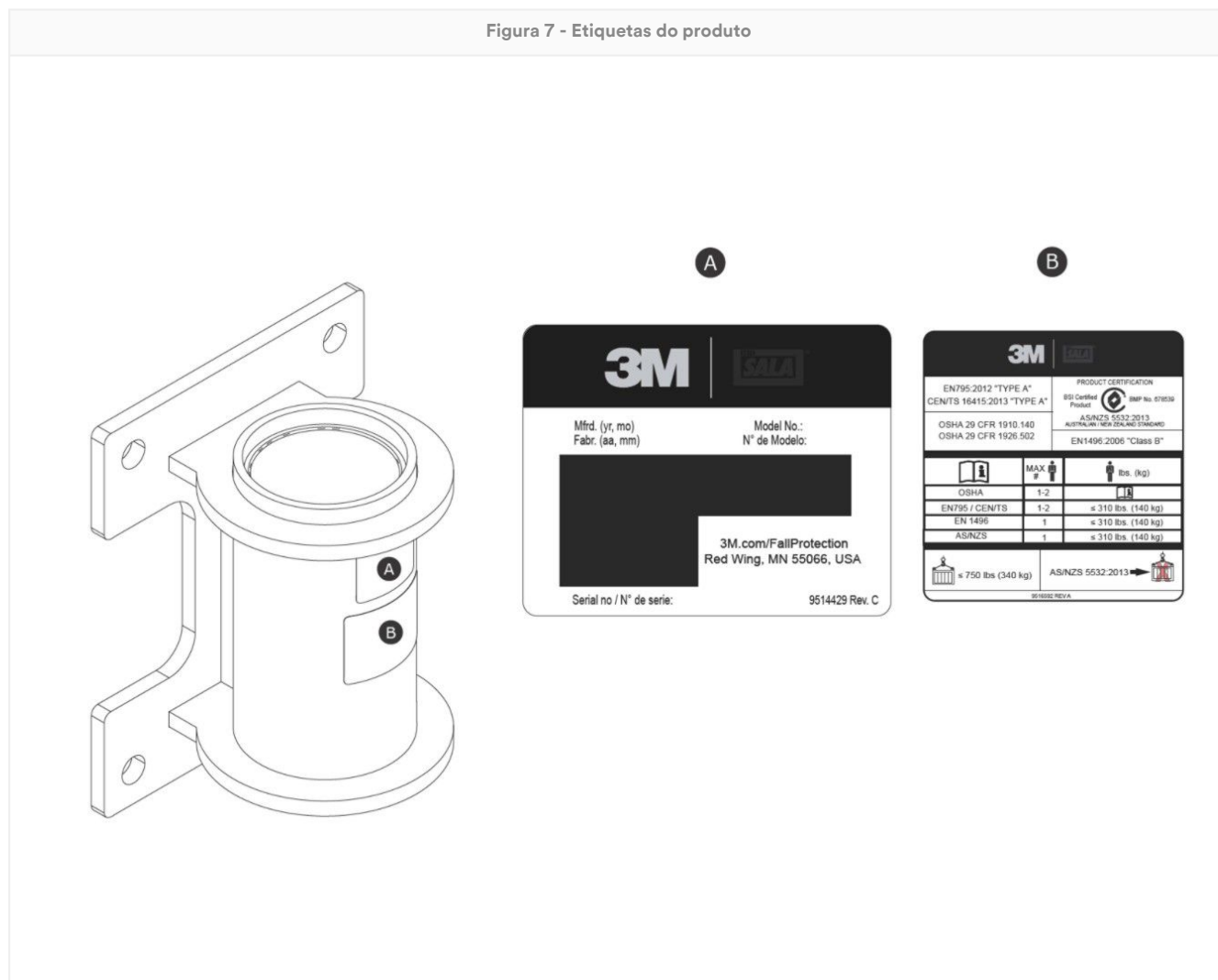
NOTICE:

As imagens das etiquetas destinam-se a ser representativas. Consulte as etiquetas dos seus produtos para obter informações específicas.

As etiquetas em falta ou danificadas devem ser substituídas. Todas as etiquetas devem estar totalmente legíveis.

A	Etiqueta de especificações do produto
B	Etiqueta de identificação

Figura 7 - Etiquetas do produto



Glossário

Definições: Os seguintes termos e definições são utilizados nestas instruções:

Para obter uma lista abrangente de termos e definições, visite o nosso site: www.3m.com/FallProtection/ifu-glossary

- **Pessoa autorizada:** Pessoa designada pela entidade empregadora para realizar trabalhos numa localização em que a pessoa estará exposta a perigo de queda.
- **Pessoa competente:** Uma pessoa que seja capaz de identificar os perigos existentes e previsíveis no espaço circundante ou condições de trabalho que sejam pouco higiénicas ou perigosas para os funcionários e que tenha autorização para tomar medidas corretivas de imediato para os eliminar.
- **Sistema de detenção de queda:** Um conjunto de equipamentos de proteção contra quedas configurada para proteger o utilizador em caso de queda.
- **Pessoa qualificada:** Uma pessoa com formação, certificado ou posição profissional reconhecido, ou que, com amplo conhecimento, formação e experiência, tenha demonstrado com êxito a sua capacidade de solucionar ou resolver problemas relacionados com Sistemas de proteção contra quedas e resgate, na medida exigida pelos regulamentos nacionais, regionais e locais aplicáveis.
- **Sistema de resgate:** Um conjunto de equipamentos de proteção contra quedas configurados para remover uma pessoa de perigos para um local seguro. Não é permitida queda livre.
- **Socorrista:** Uma pessoa que utiliza o sistema de salvamento para realizar um resgate assistido.
- **Sistemas de retenção:** Um conjunto de equipamento de proteção contra quedas configurado para impedir que o utilizador atinja o perigo de queda. Não é permitida queda livre.
- **Utilizador:** Uma pessoa que realiza atividades enquanto está protegida por um sistema de proteção contra quedas.
- **Sistema de posicionamento de trabalho:** Um conjunto de equipamento de proteção contra quedas configurado para suportar um utilizador numa posição de trabalho.

Registo de inspeção e manutenção

Deve ser utilizada uma cópia deste quadro em cada inspeção. Registrar as informações abaixo.

Fabricante: Proteção antiqueda 3M

Número do modelo (número de série):

Data de aquisição:

Data da primeira utilização:

Este produto deve ser inspecionado pelo utilizador antes de cada utilização. Além disso, uma Pessoa competente que não seja o utilizador deve inspecionar este equipamento nos intervalos especificados na Secção 5.

Componente	Procedimento de inspeção	Resultado da inspeção (aprovado ou reprovado)
Produto (Figura 2)	Inspecione todo o sistema para averiguar se existem danos, deformações, corrosão ou ferrugem. Procure fissuras, dobras, amolgadelas ou desgaste que possam afetar a resistência e o funcionamento do sistema. Ao inspecionar a corrosão, deve também inspecionar o dispositivo de ancoragem, as suas fixações ou fixadores e a estrutura à qual o dispositivo de ancoragem está fixado.	
	Inspecione todos os elementos de fixação quanto a danos ou corrosão. Aperte conforme necessário.	
	Inspecione todas as partes móveis quanto a lascas, fendas, ruturas ou áreas desgastadas que possam causar mau funcionamento durante a utilização.	
Etiquetas	Todas as etiquetas estão presentes e são completamente legíveis.	
Equipamento de proteção contra quedas	O equipamento adicional de proteção contra quedas utilizado com o produto é instalado e inspecionado de acordo com as instruções do fabricante. Verifique se a classificação de resistência de cada um dos seus produtos é compatível e suficiente para a aplicação pretendida.	

Resumo da inspeção do produto

Se o produto falhar num procedimento de inspeção, reprovará na inspeção geral. Se o produto falhar na inspeção, retire-o de serviço imediatamente. Sinalize claramente o produto com a mensagem “NÃO UTILIZAR”. Consulte a Secção 5 para mais informações.


Tipo de inspeção:	<input type="checkbox"/> Utilizador	<input type="checkbox"/> Pessoa competente	Resultado geral da inspeção:	
Inspecionado por:			Data de inspeção:	
Assinatura:			Próxima inspeção deve efetuar-se a:	
Notas adicionais:				

Certificações

O seu produto está em conformidade com as normas nacionais ou regionais identificadas na capa destas instruções. A certificação e a conformidade podem ser limitadas a modelos de produtos ou aplicações individuais.

Para obter mais informações sobre requisitos de certificação ou conformidade, consulte os padrões e regulamentos aplicáveis listados para o seu produto (por exemplo, os códigos de proteção antiqueda ANSI/ASSP Z359).

Os utilizadores de acordo com as normas AS/NZS devem consultar a norma AS/NZS 1891.4 para os requisitos de seleção, utilização, manutenção e formação.

<p>Produto certificado pelo BSI</p> <p>AS/NZS 5532:2013</p> <p>Licença: BMP 678539</p>	<p>BSI - Sede Suite 1, Level 1, 54 Waterloo Road Macquarie Park, NSW, 2113 Austrália</p>	
--	--	---

Garantia global do produto, recurso limitado e limitação de responsabilidade

Garantia: O seguinte é feito em substituição de todas as garantias ou condições, expressas ou implícitas, incluindo as garantias ou condições implícitas de comercialização ou adequação a uma finalidade específica.

Salvo disposição em contrário pelas leis locais, os produtos de proteção contra quedas da 3M têm garantia contra defeitos de fábrica, quer no fabrico, quer nos materiais, por um período de um ano, a partir da data de instalação ou da primeira utilização pelo proprietário original.

Solução limitada: Após a notificação por escrito à 3M, a 3M reparará ou substituirá qualquer produto que a 3M determinar ter um defeito de fábrica no fabrico ou nos materiais. A 3M reserva-se o direito de exigir que o produto seja devolvido às suas instalações para avaliação das solicitações de garantia. Esta garantia não cobre danos ao produto devidos ao desgaste, abuso, mau uso, danos durante o transporte, falha na manutenção do produto ou outros danos fora do controlo da 3M. A 3M será o único juiz da condição do produto e opções de garantia.

Esta garantia aplica-se somente ao comprador original e é a única garantia aplicável aos produtos de proteção contra quedas da 3M. Entre em contacto com o departamento de atendimento ao cliente da 3M na sua área para obter assistência.

Limitação de responsabilidade: Na medida do permitido pelas leis locais, a 3M não é responsável por quaisquer danos indiretos, acidentais, especiais ou consequentes, incluindo, mas não se limitando a, perda de lucros, de qualquer forma relacionados com os produtos, independentemente da teoria jurídica afirmada.

Base de Davit para montagem na parede 3M™ DBI-SALA®

Instruções do usuário

Número do formulário: 5903663, Revisão: F

Este produto é certificado ou está em conformidade com os padrões e as regulamentações a seguir. A certificação e a conformidade podem ser restritas a modelos ou aplicações de produtos individuais. Para obter mais informações, consulte *Certificações*.

- OSHA 29 CFR 1910.140, 1926.502
- EN 795:2012 (Tipo A)
- CEN/TS 16415:2013 (Tipo A)
- EN 1496:2006 (Cláusula 4.6)
- AS/NZS 5532:2013

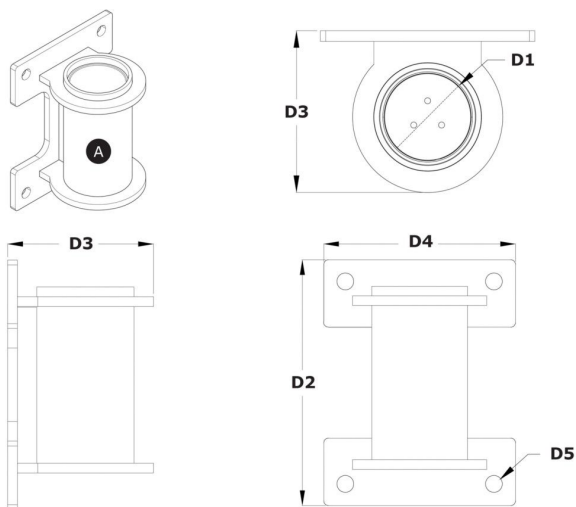
⚠WARNING:

Para identificação de códigos de produto, consulte as tabelas de especificações do produto. Consulte a Visão geral do produto para obter mais informações sobre o produto.

Alguns componentes podem não ser certificados individualmente e podem exigir montagem para atender aos requisitos de certificação.

Figura 1 – Visão geral do produto

Modelo	Estilo	D1	D2	D3	D4	D5	Peso do produto
8000101	A	10,2 cm (4,0 polegadas)	32,4 cm (12,75 polegadas)	19,0 cm (7,5 polegadas)	25,4 cm (10,0 polegadas)	22,2 mm (0,88 polegada)	15,7 kg (34.0 lb.)
8000102	A	10,2 cm (4,0 polegadas)	32,4 cm (12,75 polegadas)	19,0 cm (7,5 polegadas)	25,4 cm (10,0 polegadas)	22,2 mm (0,88 polegada)	15,7 kg (34.0 lb.)



Informações de segurança

Leia, entenda e siga todas as informações de segurança contidas nestas instruções antes de usar este produto. NÃO FAZER ISSO PODE RESULTAR EM FERIMENTOS GRAVES OU MORTE.

Estas instruções devem ser fornecidas ao usuário do equipamento. Guarde estas instruções para referência futura.

Informações de segurança

Formulário: 5908277, Revisão: B

Uso pretendido

Este produto é usado como parte de um sistema completo de proteção contra quedas.

O uso em qualquer outra aplicação, incluindo, entre outras, manuseio de materiais não aprovados, atividades recreativas ou esportivas, ou outras atividades não descritas nestas instruções, não é aprovado pela 3M e pode resultar em ferimentos graves ou morte.

Este produto deve ser usado apenas por usuários treinados em aplicações no local de trabalho.

Aviso

Este produto é usado como parte de um sistema completo de proteção contra quedas.

Todos os usuários devem ser totalmente treinados na instalação e operação segura de seu sistema completo de proteção contra quedas. O uso indevido deste produto pode resultar em ferimentos graves ou morte. Para seleção, operação, instalação, manutenção e serviço adequados, consulte todos os manuais de instruções e recomendações do fabricante. Para obter mais informações, consulte seu supervisor ou entre em contato com os Serviços Técnicos da 3M.

- **Para reduzir os riscos associados ao uso do Sistema de entrada e resgate em espaços confinados que, se não forem evitados, podem resultar em ferimentos graves ou morte:**
 - Inspecione o produto antes de cada uso e após qualquer queda, de acordo com os procedimentos especificados nestas instruções.
 - Se a inspeção revelar uma condição insegura ou defeituosa, remova o produto de serviço imediatamente e marque-o claramente com “NÃO USAR”. Destrua ou repare o produto conforme exigido por estas instruções.
 - Qualquer produto que tenha sido sujeito a travamento de queda ou força de impacto deve ser imediatamente removido de serviço. Destrua ou repare o produto conforme exigido por estas instruções.
 - Certifique-se de que os sistemas de proteção contra quedas montados a partir de componentes fabricados por diferentes fabricantes sejam compatíveis e atendam a todos os regulamentos, normas ou requisitos de proteção contra quedas aplicáveis. Sempre consulte uma pessoa competente antes de usar esses sistemas.
 - O produto só deverá ser instalado conforme descrito em seus manuais de instruções. Instalações e uso fora do escopo destes manuais de instruções só devem ser realizadas mediante aprovação por escrito da 3M.
 - Somente conecte subsistemas de proteção contra quedas aos pontos de conexão de ancoragem designados no produto.
 - Antes de instalar, certifique-se de que os métodos de instalação e o produto não interferirão nas linhas elétricas, nas tubulações de gás ou em outros materiais/sistemas críticos.
 - Certifique-se de que o produto esteja configurado e instalado corretamente para operação segura, conforme descrito nestas instruções.
 - Não torça, amarre, dê nó ou deixe o cabo de segurança frouxo.
 - Não exceda o número de usuários permitidos especificados nestas instruções.
 - Tenha cuidado ao instalar, usar ou mover o produto, pois as peças móveis podem criar pontos de aperto.
 - Os procedimentos de bloqueio/sinalização devem ser seguidos quando aplicáveis.
 - Não conecte ao sistema enquanto ele estiver sendo transportado ou instalado.
- **Para reduzir os riscos associados ao trabalho em altura que, se não forem evitados, podem resultar em ferimentos graves ou morte:**
 - Sua saúde e condição física devem permitir que você trabalhe em altura com segurança e resista a todas as forças associadas a um evento de retenção de queda. Consulte o seu médico se tiver dúvidas sobre a sua capacidade de usar este equipamento.
 - Nunca exceda a capacidade permitida do seu equipamento de proteção contra quedas.
 - Nunca exceda a distância máxima de queda livre especificada para o seu equipamento de proteção contra quedas.
 - Não use nenhum equipamento de proteção contra quedas que falhe na inspeção ou se você tiver dúvidas sobre o uso ou adequação do equipamento. Entre em contato com os serviços de atendimento ao cliente da 3M em caso de dúvidas.
 - Algumas combinações de subsistemas e componentes podem interferir na operação deste equipamento. Use apenas conexões compatíveis. Entre em contato com os serviços de atendimento ao cliente da 3M antes de usar este equipamento em combinação com componentes ou subsistemas diferentes dos descritos nestas instruções.
 - Tome precauções extras ao trabalhar próximo a máquinas em movimento, perigos elétricos, temperaturas extremas, perigos químicos, gases explosivos ou tóxicos, bordas afiadas, superfícies abrasivas ou abaixo de materiais que possam cair sobre você ou seu equipamento de proteção contra quedas.
 - Certifique-se de que o uso de seu produto seja classificado para os perigos presentes em seu ambiente de trabalho.
 - Certifique-se de que haja folga suficiente para queda ao trabalhar em altura.
 - Nunca modifique ou altere seu equipamento de proteção contra quedas. Somente a 3M, ou pessoas autorizadas por escrito pela 3M, podem fazer reparos em equipamentos 3M.
 - Antes de usar o equipamento de proteção contra quedas, certifique-se de que um plano de resgate por escrito esteja em vigor para fornecer resgate imediato se ocorrer um incidente de queda.
 - Se ocorrer um incidente de queda, procure imediatamente atendimento médico para o trabalhador caído.
 - Use apenas um arnês de corpo inteiro para aplicações de retenção de queda. Não use um cinturão para o corpo.
 - Minimize as quedas pendulares trabalhando o mais diretamente possível abaixo do ponto de ancoragem.
 - Um sistema secundário de proteção contra quedas deve ser usado ao treinar com este produto. Os estagiários não devem ser expostos a um risco de queda não intencional.
 - Sempre use equipamento de proteção individual adequado ao instalar, usar ou inspecionar o produto.
 - Nunca trabalhe abaixo de uma carga ou trabalhador suspenso.
 - Sempre mantenha 100% de amarração.

Visão geral do produto

Certifique-se sempre de estar usando a revisão mais recente do manual de instruções da 3M. Acesse www.3m.com/userinstructions ou entre em contato com o atendimento ao cliente da 3M para obter manuais de instruções atualizados.

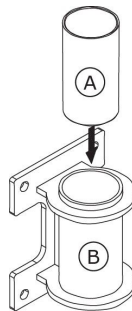
Antes de usar este equipamento, registre as informações do produto na etiqueta de identificação no "Registro de inspeção e manutenção" no final deste manual.

A Figura 1 mostra os modelos de produtos disponíveis. As bases Davit servem como a parte do sistema Davit que ajuda a prendê-lo ao solo. O Davit é preso à base enquanto atua como um ponto de ancoragem ajustável e móvel para o usuário. Consulte as instruções do fabricante para obter mais informações sobre aplicações do sistema do Davit ou sistema Davit compatível.

A Figura 2 identifica os principais componentes dos modelos de produtos disponíveis. A base Davit é composta por duas peças: Um revestimento (A) e uma manga do Davit (B). O revestimento permite que um Davit instalado corretamente gire livremente dentro da manga do Davit. A manga inclui uma placa de montagem anexada para prender a base Davit a uma estrutura.

Cada modelo de produto tem suas próprias especificações, conforme listado na Figura 1. Consulte as tabelas de especificações do produto para obter mais informações.

Figura 2 - Componentes



Tabelas de especificações do produto

Especificações do sistema

Capacidade de usuários:	Consulte as instruções do fabricante para modelos de Davit compatíveis para obter mais informações sobre a capacidade do sistema.
Normas:	Cada modelo de produto é certificado ou está em conformidade com os padrões e regulamentos aplicáveis listados na Figura 1. Se nenhum for especificado, todos os padrões e regulamentos listados na capa serão aplicados.

Especificações dos componentes

Figura 2 – Referência	Componente	Materiais
A	Revestimento	Polietileno de alta densidade
B	Manga do Davit	8000101: Aço Carbono Galvanizado
		8000102: Aço inoxidável

1.0 Aplicação do produto

1.1 Finalidade: Os sistemas Davit atuam como estruturas móveis de ancoragem para sistemas de proteção contra quedas. A montagem e os componentes variam de acordo com o sistema. Para obter mais informações sobre as aplicações do sistema, consulte a "Visão geral do produto" e quaisquer seções sobre instalação ou uso.

1.2 Supervisão: O uso deste equipamento deve ser supervisionado por uma pessoa competente. A instalação deste equipamento deve ser supervisionada por uma pessoa competente. Uma pessoa qualificada deve confirmar se a instalação atende às regulamentações locais e federais. Os fixadores e a colocação da base de fixação também devem ser aprovados por uma pessoa qualificada.

1.3 Revenda e distribuição: Se este produto for revendido fora do país de destino original, o revendedor deverá fornecer estas instruções no idioma do país em que o produto será usado.

1.4 Treinamento: Este equipamento deve ser instalado e usado por pessoas treinadas em sua correta aplicação. Estas instruções devem ser usadas como parte de um programa de treinamento de funcionários conforme exigido pelas normas nacionais, regionais ou locais. É responsabilidade dos usuários e instaladores deste equipamento garantir que estejam familiarizados com estas instruções, treinados no cuidado e uso corretos deste equipamento e cientes das características operacionais, limitações de aplicação e consequências do uso indevido deste equipamento.

1.5 Plano de resgate: Ao usar este equipamento e conectar subsistemas, o empregador deve ter um plano de resgate por escrito e os meios para implementar e comunicar esse plano aos usuários, pessoas autorizadas e socorristas. Recomenda-se uma equipe de resgate treinada no local. Os membros da equipe devem receber o equipamento e as técnicas necessárias para realizar um resgate bem-sucedido. O treinamento deve ser fornecido periodicamente para garantir a proficiência do socorrista. Os socorristas devem receber estas instruções. Deve haver contato visual ou meios de comunicação com a pessoa que está sendo resgatada em todos os momentos durante o processo de resgate.

2.0 Requisitos do sistema

2.1 Ancoragem: A estrutura de ancoragem que fixa este produto deve ter capacidade de suportar quaisquer cargas necessárias, conforme permitido pelo seu sistema de proteção contra quedas. Consulte a Seção 4 para obter mais informações.

2.2 Capacidade: A capacidade de usuário de um sistema de proteção contra quedas completo é limitada pelo seu componente com capacidade máxima nominal mais baixa. Por exemplo, se seu subsistema de conexão tiver uma capacidade menor que seu arnês, você deverá atender aos requisitos de capacidade de seu subsistema de conexão. Consulte as instruções do fabricante para cada componente do seu sistema quanto aos requisitos de capacidade.

2.3 Riscos ambientais: O uso deste equipamento em áreas com riscos ambientais pode exigir precauções adicionais para evitar ferimentos ao usuário ou danos ao equipamento. Os perigos podem incluir, entre outros: calor elevado, produtos químicos, ambientes corrosivos, linhas de alta tensão, gases explosivos ou tóxicos, máquinas em movimento, bordas afiadas ou materiais suspensos que podem cair e entrar em contato com o usuário ou equipamento. Entre em contato com os serviços de atendimento ao cliente da 3M para maiores esclarecimentos.

2.4 Riscos de linha de vida: Certifique-se de que a linha de vida seja mantida livre de todos os perigos, incluindo, entre outros: emaranhamento com usuários, outros trabalhadores, máquinas em movimento, outros objetos ao redor ou impacto de objetos suspensos que possam cair sobre o cabo de segurança ou usuários.

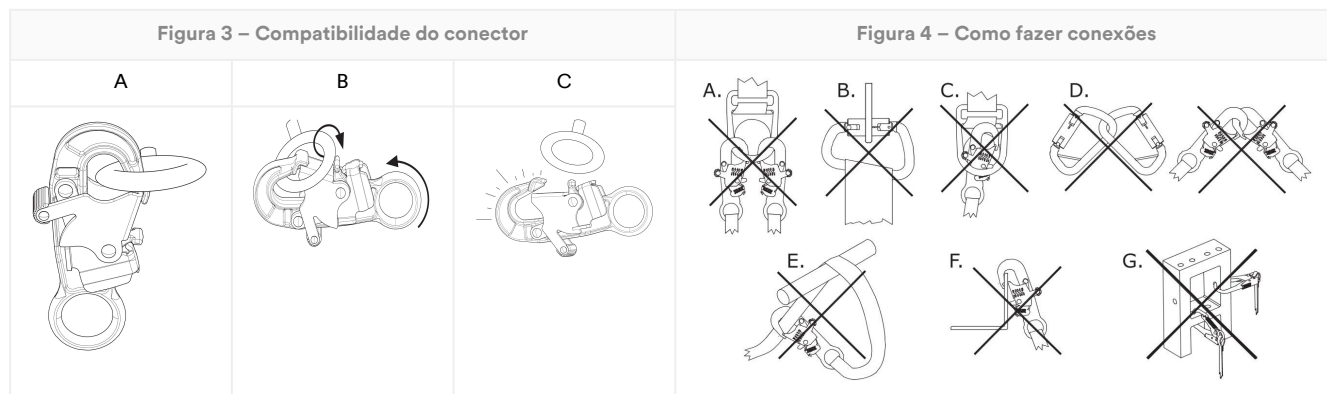
2.5 Compatibilidade dos componentes: o equipamento 3M é projetado para uso com equipamentos 3M. O uso com equipamentos que não são da 3M deve ser aprovado por uma pessoa competente. Substituições feitas com equipamentos não aprovados podem prejudicar a compatibilidade do equipamento e afetar a segurança e a confiabilidade do seu sistema de proteção contra quedas. Leia e siga todas as instruções e advertências de todos os equipamentos antes de usá-los.

2.6 Compatibilidade do conector: os conectores são compatíveis com os elementos de conexão quando o tamanho e a forma de qualquer um dos componentes não causem a abertura involuntária do conector, independentemente da orientação. Os conectores devem estar em conformidade com as normas aplicáveis. Os conectores devem estar totalmente fechados e travados durante o uso.

Os conectores 3M (ganchos e mosquetões) são projetados para serem usados somente conforme especificado em cada manual de instruções. Certifique-se de que os conectores sejam compatíveis com os componentes do sistema aos quais estão conectados. Não use equipamentos incompatíveis. O uso de componentes não compatíveis pode fazer com que o conector se solte acidentalmente. Consulte a figura para referência. Se o elemento de conexão ao qual um conector se conecta for subdimensionado ou de forma irregular, pode ocorrer uma situação em que o elemento de conexão aplica uma força à trava do conector (A). Essa força poderia causar a abertura da trava (B), desengatando o conector do elemento de conexão (C).

2.7 Fazendo conexões: Todas as conexões devem ser compatíveis em tamanho, forma e resistência. Consulte a figura para obter exemplos de conexões inadequadas. Não prenda ganchos e mosquetões:

1. A uma argola em D ao qual outro conector está conectado.
2. De uma maneira que resultaria em uma carga na trava. Os mosquetões de grande abertura não devem ser conectados a anéis em D ou outros elementos de conexão, a menos que o mosquetão tenha uma força de abertura de 16 kN (3.600 lbf) ou superior.
3. Em um engate falso, onde o tamanho ou forma do conector ou elemento de conexão não é compatível e, sem confirmação visual, pareceria estar totalmente engatado.
4. Um ao outro.
5. Diretamente à fita do cinturão, ao material da perna do talabarte ou ao material de fixação, a menos que a conexão seja permitida claramente pelas instruções do fabricante.
6. Para qualquer objeto cujo tamanho ou forma não permita que o conector feche e trave totalmente, ou que possa causar a soltura do conector.
7. De uma maneira que não permita que o conector se alinhe adequadamente enquanto estiver sob carga.



3.0 Instalação

3.1 Visão geral: A instalação de um sistema Davit pode ser um procedimento demorado com várias etapas. O planejamento eficaz e a conscientização de seu local de trabalho e de seus equipamentos são de grande ajuda para tornar esse processo o mais tranquilo possível.

3.2 Planejamento: Planeje seu sistema de proteção contra quedas antes de iniciar seu trabalho. Considere todos os fatores que podem afetar sua segurança antes, durante e depois de uma queda. Considere todos os requisitos e limitações especificados nestas instruções.

1. **Bordas afiadas:** Evite trabalhar onde os componentes do sistema possam entrar em contato ou raspar contra bordas afiadas desprotegidas e superfícies abrasivas. Todas as bordas afiadas e superfícies abrasivas devem ser cobertas com material protetor.
2. **Compatibilidade:** Ao instalar seu sistema, é importante que você use componentes compatíveis. Cada modelo de produto é compatível para uso apenas com um conjunto de modelos ou designs de produtos.

A base Davit também pode receber quaisquer extensões de mastro Davit compatíveis com os Davit listados.

Modelos de Davit compatíveis	Instruções do usuário do Davit
8000107	5908417
8000108	5908417
8000130	5908364
8000131	5908364

3.3 Instalação da base Davit: Instale a base Davit de acordo com as instruções fornecidas para o modelo do seu produto.

A superfície da estrutura de ancoragem deve ser limpa de quaisquer detritos antes de instalar a base Davit.

A. Base de Davit para montagem na parede: A base Davit deve ser preparada antes do uso.

1. **Prepare o local.** Selecione uma superfície de montagem apropriada para instalar a base Davit e, em seguida, determine onde a base deve ser instalada. Deve haver recuo suficiente da borda (A) e da espessura do material (B) para suportar os requisitos de resistência de sua estrutura e sistema. Marque e abra todos os furos de montagem no diâmetro e profundidade recomendados pelo fabricante da fixação.

A base Davit deve ser instalada em uma superfície plana e vertical.

2. **Posicione a base Davit.** Alinhe os furos na placa de montagem com os furos perfurados. A base Davit deve ser posicionada dentro de mais ou menos 1 grau da vertical.
3. **Fixe a base Davit.** Prenda a base Davit usando as fixações selecionadas, conforme especificado nas instruções do fabricante da fixação.

Figura 6 – Instalação da base Davit para montagem na parede

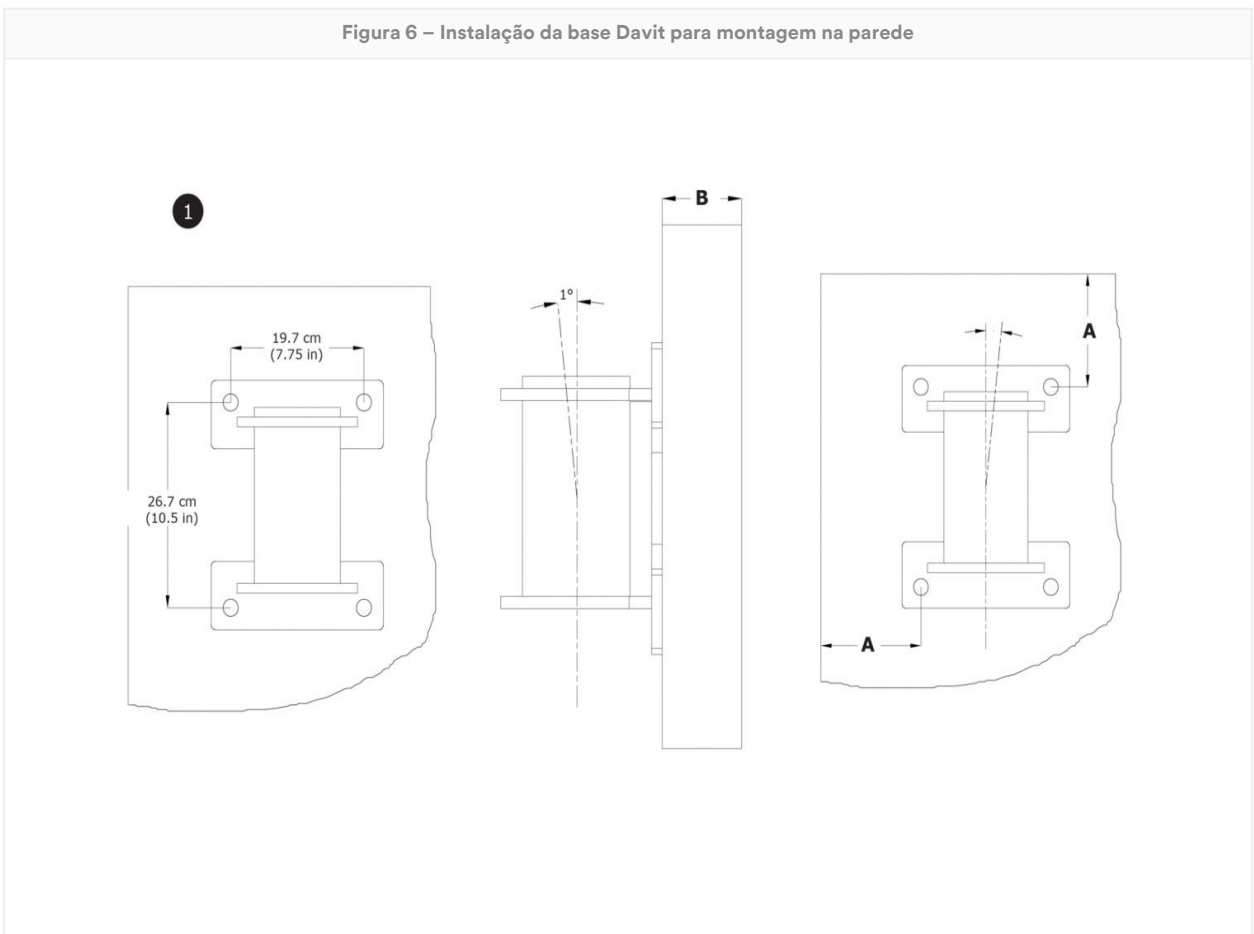
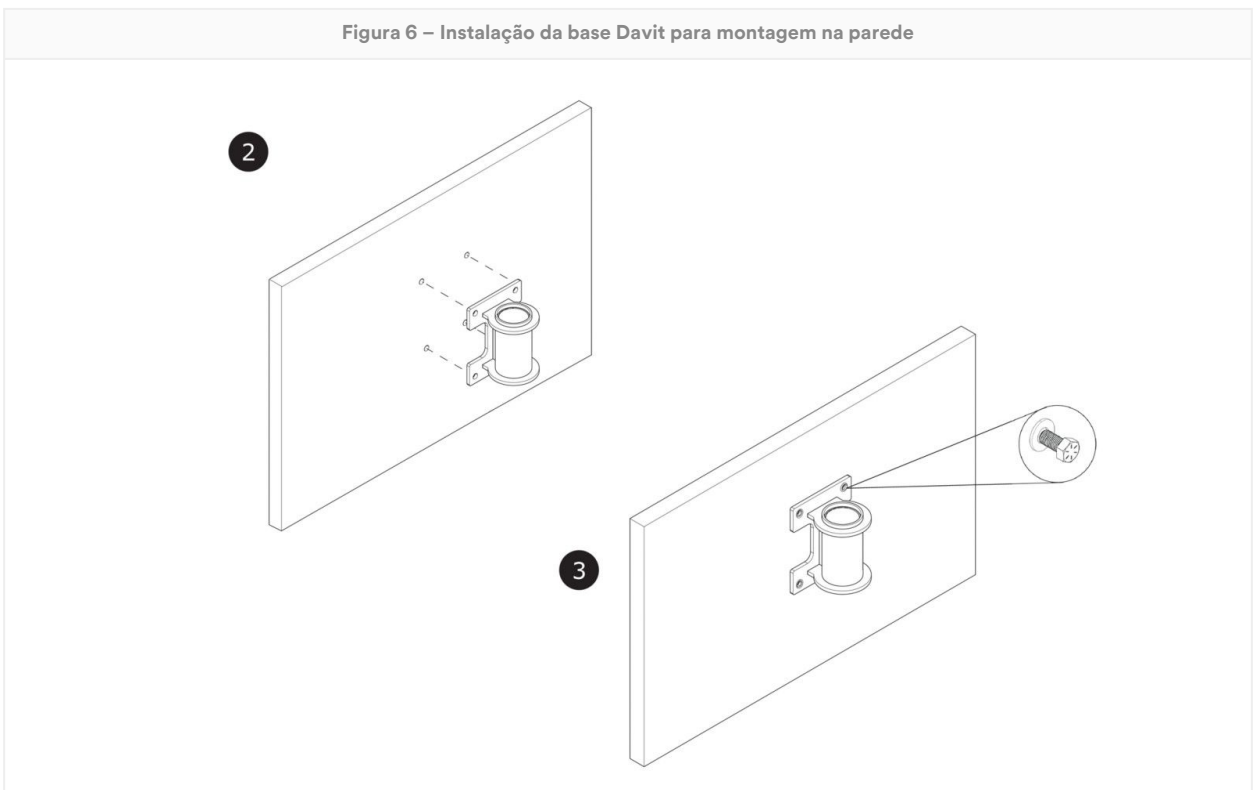


Figura 6 – Instalação da base Davit para montagem na parede



3.4 Fixação do Davit: Após a instalação da base, o usuário pode prender o braço ou o mastro Davit à base. O Davit deve ser preso ao poste de montagem ou dentro da manga da base Davit, conforme aplicável à base Davit que você está usando. Verifique se o Davit está seguro e se todas as guias ou pinos de travamento estão sendo usados adequadamente. Consulte as instruções do fabricante do seu Davit ou sistema Davit em si para obter mais informações.

4.0 Uso

4.1 Antes de cada uso: Verifique se sua área de trabalho e o sistema de proteção contra quedas atendem a todos os critérios definidos nestas instruções. Verifique se existe um Plano de Resgate formal. Inspecione o produto de acordo com os pontos de inspeção do 'Usuário' definidos no "Registro de Inspeção e Manutenção". Se a inspeção revelar uma condição insegura ou defeituosa, ou se houver qualquer dúvida sobre sua condição de uso seguro, retire o produto de serviço imediatamente. Etiquete claramente o produto "NÃO USE". Consulte a Seção 5 para obter mais informações.

4.2 Ancoragem: Além da capacidade do produto, qualquer sistema de proteção contra quedas deve considerar as resistências de estruturas ou componentes de suporte.

1. **Estrutura de ancoragem:** a estrutura de ancoragem que fixa este produto deve ter capacidade de suportar cargas necessárias, conforme permitido pelo sistema de proteção contra quedas deste produto.

Carga dinâmica	136.400 pol-lb. (15,41 kN*m)
----------------	------------------------------

2. **Pontos de conexão para ancoragem:** os pontos de conexão para ancoragem usados com o produto devem ter capacidade de suportar qualquer carga aplicada pelo produto.
3. **Fixações:** Quaisquer fixadores que prendam o produto no lugar devem ser fortes o suficiente para manter o produto preso durante o uso. Consulte as instruções do fabricante da fixação para obter mais informações.

Força para remoção da fixação	35,59 kN (8.000 lbf)
Resistência ao cisalhamento por fixação	22,2 kN (5.000 lbf)

4.3 Após uma queda: se este equipamento for submetido a retenção de queda ou força de impacto, remova-o de serviço imediatamente. Marque claramente como "NÃO USE" com uma etiqueta. Consulte a Seção 5 para obter mais informações.

4.4 Manuseio de materiais: A 3M permite o uso deste produto para manuseio de materiais conforme as instruções. Os regulamentos ou padrões locais podem ter restrições adicionais ou podem regular o uso de equipamentos de proteção contra quedas para manuseio de materiais.

⚠CAUTION:

Este produto deve ser usado com um Davit compatível para ser utilizado no manuseio de materiais. Nunca prenda uma carga de material diretamente na base Davit.

Antes de proteger sua carga de material, verifique se ela foi preparada para o transporte.

Nunca prenda este produto a materiais e usuários simultaneamente.

O produto usado para manuseio de materiais deve ser inspecionado por uma Pessoa Competente antes de seu próximo uso. As regulamentações ou normas locais podem restringir a alternância entre o uso pessoal e o manuseio de materiais.

1. **Proteja o Davit.** Prenda o Davit à base Davit conforme especificado nas instruções do usuário.
2. **Prenda um subsistema de conexão ao Davit.** Consulte as instruções do fabricante da base do seu Davit para obter mais informações.
3. **Prenda o cabo de segurança à carga do material.** Abaixar ou eleve a carga de material conforme necessário.

Capacidade de manuseio de materiais

340 kg (750 lb)

5.0 Inspeção

Depois que o equipamento for removido de serviço, ele não poderá voltar ao serviço até que uma pessoa competente confirme por escrito que é aceitável fazê-lo.

5.1 Frequência de Inspeção: O produto deve ser inspecionado antes de cada uso pelo usuário e também por uma pessoa competente que não seja o usuário nos intervalos especificados abaixo. Uma maior frequência de uso do equipamento e condições mais severas podem exigir o aumento da frequência das inspeções por pessoas competentes. A frequência dessas inspeções deve ser determinada pela pessoa competente de acordo com as condições específicas do local de trabalho.

Padrão ou região aplicável	Frequência exigida de inspeções por pessoa competente
ANSI e OSHA	Uma vez por ano
Padrões EN	Uma vez por ano
AS/NZS	Uma vez por ano

5.2 Procedimentos de inspeção: Inspeccione este produto de acordo com os procedimentos listados no “Registro de Inspeção e Manutenção”. A documentação de cada inspeção deve ser mantida pelo proprietário deste equipamento. Um registro de inspeção e manutenção deve ser colocado próximo ao produto ou ser facilmente acessível aos usuários. Recomenda-se que o produto seja marcado com a data da próxima ou última inspeção.

5.3 Defeitos: Se o produto não puder ser devolvido ao serviço devido a um defeito existente ou condição insegura, o produto deve ser destruído ou enviado à 3M ou a um centro de serviço autorizado da 3M para reparo.

5.4 Vida útil do produto: a vida útil do produto é determinada pelas condições de trabalho e manutenção. Enquanto o produto passar pelos critérios de inspeção, ele poderá permanecer em serviço.

6.0 Manutenção, armazenamento e reparos

Os equipamentos que precisam de manutenção ou que têm manutenção agendada devem ser marcados como “NÃO USE”. Essas etiquetas de equipamento não devem ser removidas até que a manutenção seja realizada.

6.1 Limpeza: Limpe periodicamente os componentes metálicos do produto usando água morna e solução de sabão neutro. Enxágue o produto com água limpa e deixe secar naturalmente. Para obter mais informações, consulte o boletim técnico em nosso site: <https://www.3M.com/FallProtection/Mechanical-Device-Cleaning>

6.2 Reparos: somente a 3M ou pessoas autorizadas por escrito pela 3M podem fazer reparos neste equipamento.

6.3 Armazenamento e transporte: Guarde e transporte o produto em um ambiente fresco, seco e limpo, longe da luz solar direta. Evite áreas onde possam existir vapores químicos. Inspeccione completamente os componentes após armazenamento prolongado.

As bases instaladas permanentemente não devem sair do local de trabalho. Outros componentes podem ser retirados dessas bases para armazenamento ou transporte, mas a base deverá permanecer.

⚠️WARNING:

Transições repentinas entre ambientes quentes e extremamente frios podem afetar o desempenho do seu equipamento. Dispositivos mecânicos (como dispositivos autorretráteis, guinchos, dispositivos de recuperação, luvas de escalada etc.) devem ser adaptados para uso em frio ou calor extremos, armazenando-os em temperaturas semelhantes ao ambiente de trabalho. Sempre faça uma inspeção do equipamento em seu ambiente de trabalho antes de usá-lo.

7.0 Etiquetas e marcações

7.1 Resumo: A figura "Etiquetas do produto" ilustra as etiquetas e marcações presentes no produto. Veja abaixo um resumo das informações fornecidas com cada etiqueta e marcação.

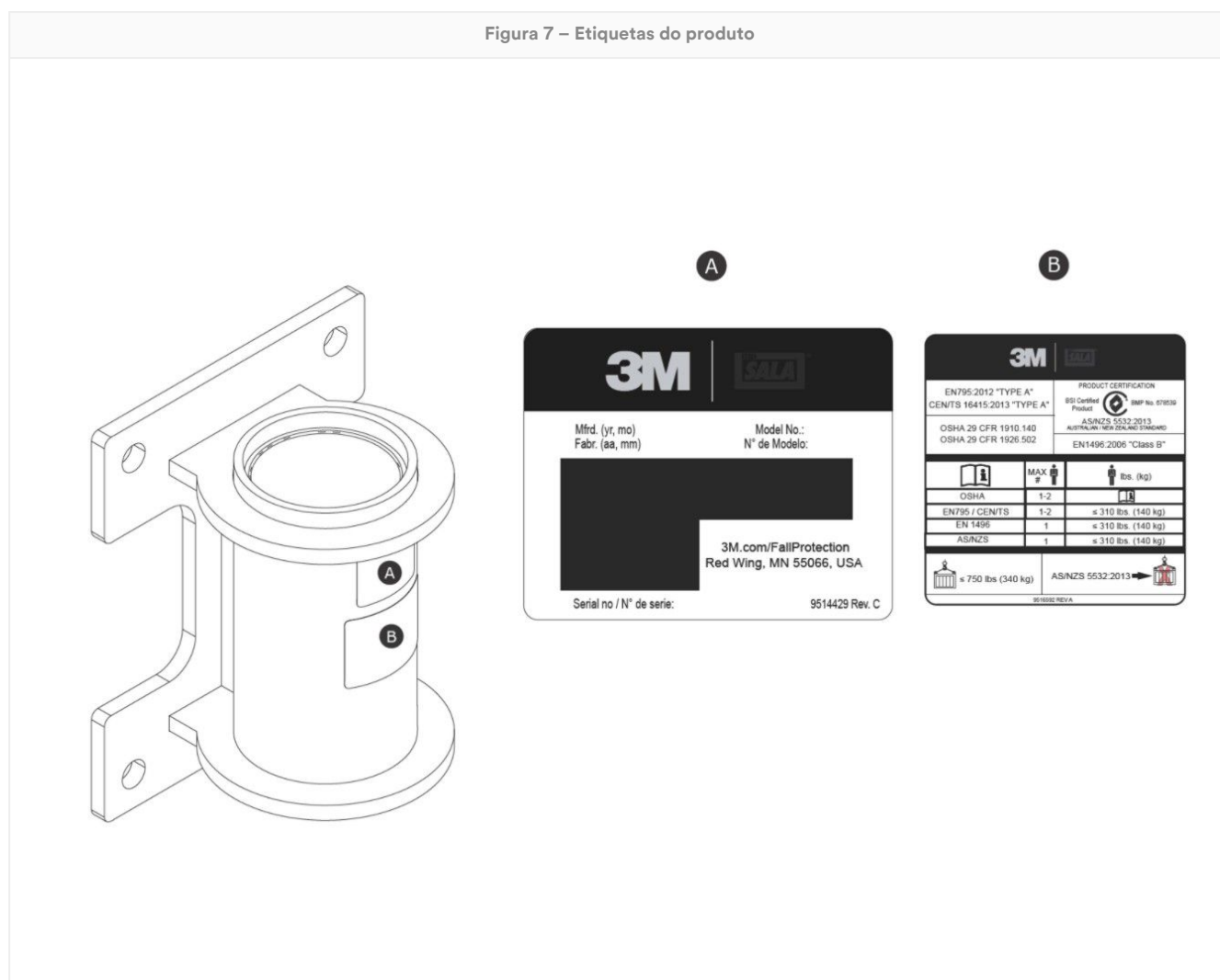
NOTICE:

As imagens das etiquetas devem ser representativas. Consulte as etiquetas dos produtos para obter informações específicas.

As etiquetas não encontradas ou danificadas devem ser substituídas. Todas as etiquetas devem estar totalmente legíveis.

A	Etiqueta de especificações do produto
B	Etiqueta de identificação

Figura 7 – Etiquetas do produto



Glossário

Definições: Os termos e definições a seguir são usados nestas instruções:

Para obter uma lista abrangente de termos e definições, acesse nosso site: www.3m.com/FallProtection/ifu-glossary

- **Pessoa autorizada:** Uma pessoa designada pelo empregador para desempenhar funções em um local onde a pessoa estará exposta a um risco de queda.
- **Indivíduo competente:** Aquele que é capaz de identificar perigos existentes e previsíveis no ambiente ou condições de trabalho insalubres, perigosas ou perigosas para os funcionários, e que tem autorização para tomar medidas corretivas imediatas para eliminá-los.
- **Sistema de prevenção de queda:** Um conjunto de equipamentos de proteção contra quedas configurados para proteger o usuário em caso de queda.
- **Indivíduo qualificado:** Uma pessoa com um diploma reconhecido, certificado ou posição profissional, ou que por amplo conhecimento, treinamento e experiência demonstrou com sucesso sua capacidade de resolver problemas relacionados a sistemas de proteção e resgate contra quedas na medida exigida pelas regulamentações nacionais, regionais e locais vigentes.
- **Sistema de resgate:** Um conjunto de equipamentos de proteção contra quedas configurados para remover uma pessoa de perigos para um local seguro. Nenhuma queda livre é permitida.
- **Socorrista:** Uma pessoa que usa o sistema de resgate para realizar um resgate assistido.
- **Sistema de retenção de quedas:** Um conjunto de equipamentos de proteção contra quedas configurados para evitar que o usuário atinja um risco de queda. Nenhuma queda livre é permitida.
- **Usuário:** Uma pessoa que realiza atividades protegida por um sistema de proteção contra quedas.
- **Sistema de posicionamento de trabalho:** Um conjunto de equipamentos de proteção contra quedas configurados para dar suporte a um usuário em uma posição de trabalho.

Registro de Inspeção e Manutenção

Uma cópia desta tabela deve ser usada para cada inspeção. Registre as informações abaixo.

Fabricante: Proteção Contra Quedas 3M

Número do modelo (número de série):

Data da compra:

Data do primeiro uso:

Este produto deve ser inspecionado pelo usuário antes de cada uso. Além disso, uma pessoa competente que não seja o usuário deve inspecionar este equipamento nos intervalos especificados na Seção 5.

Componente	Procedimento de inspeção	Resultado da inspeção (aprovado ou reprovado)
Produto (Figura 2)	Inspeccione a base Davit quanto a danos, deformações, corrosão e ferrugem. Procure rachaduras, dobras, amassados ou desgaste que possam afetar a resistência e a operação do sistema. Ao inspecionar a corrosão, você também deve inspecionar o dispositivo de ancoragem, suas fixações ou fixadores e a estrutura à qual o dispositivo de ancoragem está preso.	
	Inspeccione todos os fixadores quanto a danos ou corrosão. Aperte, se necessário.	
	Inspeccione todas as peças móveis quanto a lascas, rachaduras, quebras ou áreas desgastadas que possam causar mau funcionamento durante a operação.	
Etiquetas	Todas as etiquetas estão presentes e totalmente legíveis.	
Equipamento de proteção contra queda	O equipamento adicional de proteção contra quedas usado com o produto é instalado e inspecionado de acordo com as instruções do fabricante. Verifique se a classificação de resistência de cada um de seus produtos é compatível e suficiente para a aplicação pretendida.	

Resumo da inspeção do produto

Se o produto for reprovado em um procedimento de inspeção, será reprovado na inspeção geral. Se o produto falhar na inspeção, remova-o de serviço imediatamente. Etiquete claramente o produto "NÃO USE". Consulte a Seção 5 para obter mais informações.


Tipo de inspeção:	<input type="checkbox"/> Usuário	<input type="checkbox"/> Pessoa competente	Resultado geral da inspeção:	
Inspeccionado por:			Data da inspeção:	
Assinatura:			Próxima inspeção prevista em:	
Notas adicionais:				

Certificações

Seu produto está em conformidade com os padrões nacionais identificados na capa destas instruções. A certificação e a conformidade podem ser restritas a modelos de produtos ou aplicações individuais.

Para obter mais informações sobre os requisitos de certificação ou conformidade, consulte as normas e regulamentos aplicáveis listados para o seu produto.

Os usuários sujeitos aos padrões AS/NZS devem consultar o AS/NZS 1891.4 para requisitos de seleção, uso, manutenção e treinamento.

Produto certificado BSI AS/NZS 5532:2013 Licença: BMP 678539	BSI - Head Office Suite 1, Level 1, 54 Waterloo Road Macquarie Park, NGS, 2113 Austrália	
--	--	---

Garantia Global do Produto, Recursos Limitados e Limitação de Responsabilidade

Garantia: o presente documento substitui todas as garantias ou condições, expressas ou implícitas, incluindo as garantias ou condições implícitas de comercialização ou adequação para um fim específico.

A menos que o contrário seja estipulado por leis locais, os produtos de proteção contra quedas da 3M possuem garantia contra defeitos de fábrica na fabricação e nos materiais por um período de um ano a partir da data da instalação ou do primeiro uso por parte do proprietário original.

Recursos limitados: mediante aviso por escrito à 3M, a 3M reparará ou substituirá qualquer produto que a 3M determine que tenha um defeito de fábrica na fabricação ou nos materiais. A 3M reserva-se o direito de exigir que o produto seja devolvido às suas instalações para avaliar reivindicações de garantia. Esta garantia não cobre danos ao produto causados por desgaste, abuso, uso indevido, danos durante o transporte, falha na manutenção do produto ou outros danos fora do controle da 3M. As condições do produto e as opções de garantia serão julgadas exclusivamente pela 3M.

Esta garantia vale somente para o comprador original e é a única garantia válida para os produtos de proteção contra quedas da 3M. Entre em contato com o departamento de atendimento ao cliente da 3M de sua região para obter assistência.

Limitação de responsabilidade: Na máxima extensão permitida pelas leis locais, a 3M não será responsável por quaisquer danos indiretos, incidentais, especiais ou consequentes, incluindo, mas sem se limitar a perda de lucros, de alguma forma relacionados a produtos, independentemente da teoria jurídica alegada.

Bază Davit de montare pe perete 3M™ DBI-SALA®

Instrucțiuni de utilizare

Număr formular: 5903663, Revizie: F

Acest produs este certificat sau este conform cu următoarele standarde și reglementări. Certificarea și conformitatea pot fi limitate la modele de produse sau aplicații individuale. Pentru mai multe informații, consultați *Certificări*.

- OSHA 29 CFR 1910.140, 1926.502
- EN 795:2012 (Tip A)
- CEN/TS 16415:2013 (tip A)
- EN 1496:2006 (Clauza 4.6)
- AS/NZS 5532:2013

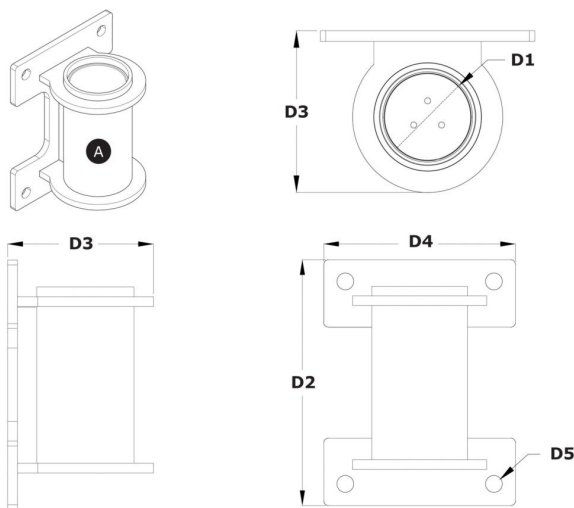
⚠WARNING:

Pentru identificarea codurilor de produs, consultați tabelele de specificații ale produsului. Consultați Prezentarea generală a produsului pentru mai multe informații despre produs.

Unele componente nu pot fi certificate individual și pot necesita asamblare pentru a îndeplini cerințele de certificare.

Figura 1 – Prezentare generală a produsului

Model	Stil	D1	D2	D3	D4	D5	Greutate produs
8000101	A	4,0 in (10,2 cm)	12,75 in (32,4 cm)	7,5 in (19,0 cm)	10,0 in (25,4 cm)	0,88 in (22,2 mm)	34,0 lb (15,7 kg)
8000102	A	4,0 in (10,2 cm)	12,75 in (32,4 cm)	7,5 in (19,0 cm)	10,0 in (25,4 cm)	0,88 in (22,2 mm)	34,0 lb (15,7 kg)



Informații privind siguranța

Înainte de a utiliza acest produs, citiți, aprofundați și urmați toate informațiile de siguranță din aceste instrucțiuni. NERESPECTAREA ACESTORA POATE DUCE LA ACCIDENTĂRI GRAVE SAU CHIAR LA DECES.

Aceste instrucțiuni trebuie furnizate utilizatorului echipamentului. Păstrați aceste instrucțiuni pentru a le consulta ulterior.

Informații privind siguranța

Formular: 5908277, Revizie: B

Utilizare indicată

Acest produs este utilizat ca parte dintr-un sistem complet de protecție împotriva căderii.

Utilizarea în orice altă aplicație, inclusiv, dar fără limitare la manevrarea materialelor fără aprobare, activități recreative sau sportive sau alte activități care nu sunt descrise în aceste instrucțiuni, nu este aprobată de 3M și poate avea ca rezultat vătămări grave sau decesul.

Acest dispozitiv trebuie folosit numai de către utilizatori instruiți pentru activitățile desfășurate la locul de muncă.

Avertisment

Acest produs este utilizat ca parte dintr-un sistem complet de protecție împotriva căderii.

Toți utilizatorii trebuie să fie pe deplin instruiți în ceea ce privește instalarea și manipularea în condiții de siguranță a sistemului lor complet de protecție împotriva căderii. Utilizarea inadecvată a acestui produs poate duce la accidentări grave sau deces. Pentru selecție, manipulare, instalare, întreținere și reparații adecvate, consultați toate manualele de instrucțiuni și recomandările producătorului. Pentru mai multe informații, consultați superiorul dvs. ierarhic sau contactați serviciile tehnice 3M.

- **Pentru a reduce riscurile asociate utilizării unui sistem de intrare/salvare în spațiu limitat care, dacă nu sunt evitate, ar putea cauza accidentări grave sau decesul:**
 - Inspectați produsul înainte de fiecare utilizare și după orice eveniment de cădere, în conformitate cu procedurile specificate în aceste instrucțiuni.
 - Dacă în urma inspecției se constată o stare ce indică nesiguranță sau defecțiuni, scoateți imediat din uz dispozitivul și marcați-l clar cu mențiunea „A NU SE UTILIZA”. Distrugeți sau reparați produsul conform acestor instrucțiuni.
 - Orice dispozitiv care a fost supus forței de oprire a căderii sau de impact trebuie scos imediat din uz. Distrugeți sau reparați produsul conform acestor instrucțiuni.
 - Asigurați-vă că sistemele de protecție împotriva căderii asamblate din componente fabricate de diferiți producători sunt compatibile și îndeplinesc toate reglementările, standardele sau cerințele aplicabile privind protecția împotriva căderii. Consultați-vă întotdeauna cu o persoană competentă înainte de a folosi aceste sisteme.
 - Produsul trebuie instalat numai conform descrierii din manualele de instrucțiuni aferente. Montarea și utilizarea în alte scopuri decât cel descris în aceste manuale de instrucțiuni trebuie aprobate în scris de 3M.
 - Conectați subsisteme de protecție împotriva căderii doar în punctele de conectare pentru ancorare prevăzute de pe produs.
 - Înainte de instalare, asigurați-vă că metodele de instalare și produsul nu vor interfera cu cablurile electrice, conductele de gaz sau alte materiale sau sisteme critice.
 - Asigurați-vă că produsul este configurat și instalat corect pentru o funcționare sigură, așa cum este descris în aceste instrucțiuni.
 - Nu răsușiți, legați, înodați și nu permiteți slăbirea corzii de siguranță.
 - A nu se depăși numărul de utilizatori permiși specificat în aceste instrucțiuni.
 - Instalați, utilizați și mutați produsul cu mare atenție, întrucât componentele în mișcare pot crea potențiale puncte cu pericol de înțepare.
 - Procedurile de blocare/etichetare trebuie urmate atunci când este cazul.
 - Nu vă conectați la sistem în timp ce acesta este transportat sau instalat.
- **Pentru a reduce riscurile asociate lucrului la înălțime care, dacă nu sunt evitate, ar putea genera accidentări grave sau decesul:**
 - Sănătatea și starea fizică trebuie să vă permită să lucrați în siguranță la înălțime și să rezistați la toate forțele asociate unui eveniment de oprire a căderii. Consultați medicul dvs. dacă aveți întrebări despre capacitatea dvs. de a utiliza acest echipament.
 - Nu depășiți niciodată capacitatea permisă a echipamentului dvs. de protecție împotriva căderii.
 - Nu depășiți niciodată distanța maximă de cădere liberă specificată a echipamentului dvs. de protecție împotriva căderii.
 - Nu utilizați niciun echipament de protecție împotriva căderii care nu trece inspecția sau dacă există îngrijorări cu privire la utilizarea sau caracterul de adecvare al echipamentului. Pentru orice întrebări, agresați-vă Serviciului 3M de relații cu clienții.
 - Unele combinații de subsisteme și componente pot interfera cu funcționarea acestui echipament. Folosiți numai elemente de conectare compatibile. Contactați serviciile 3M de relații cu clienții înainte de a utiliza acest echipament în combinație cu componente sau subsisteme diferite de cele descrise în aceste instrucțiuni.
 - Aplicați măsuri de precauție suplimentare atunci când lucrați în preajma mașinilor aflate în mișcare, în condiții de pericol electric, la temperaturi extreme, în condiții de risc chimic, risc de gaze explozive sau toxice, lângă muchii ascuțite sau sub materiale suspendate care ar putea cădea pe dvs. sau pe echipamentul de protecție împotriva căderii.
 - Asigurați-vă că utilizarea produsului dvs. este evaluată pentru pericolele existente în mediul dvs. de lucru.
 - Atunci când lucrați la înălțime, asigurați-vă că există un interval suficient de siguranță la cădere.
 - Nu modificați și nu transformați niciodată echipamentul dvs. de protecție împotriva căderii. Doar 3M sau persoanele autorizate în scris de către 3M pot efectua reparații la echipamentele 3M.
 - Înainte de a utiliza echipamentul de protecție împotriva căderii, asigurați-vă că este implementat un plan scris de salvare pentru a asigura salvarea promptă în cazul în care apare un incident de cădere.
 - Dacă are loc o cădere, apelați imediat la serviciile de asistență medicală pentru lucrătorul care a căzut.
 - Pentru aplicații de oprire a căderii, utilizați numai hamuri de siguranță complete. Nu folosiți o centură de corp.
 - Reduceți riscul de cădere prin balans lucrând cât mai aproape posibil sub punctul de ancorare.
 - La instrucția pentru acest produs trebuie utilizat un sistem secundar de protecție împotriva căderii. Este interzisă expunerea cursanților la un pericol de cădere neintenționat.
 - Purtați întotdeauna echipament individual adecvat de protecție atunci când instalați, utilizați sau inspectați produsul.
 - Nu lucrați niciodată sub o sarcină sau un muncitor suspendat.
 - Păstrați întotdeauna o protecție completă.

Prezentare generală a produsului

Asigurați-vă întotdeauna că utilizați cea mai recentă versiune revizuită a manualului de instrucțiuni 3M. Pentru manuale de instrucțiuni actualizate, accesați www.3m.com/userinstructions sau serviciile 3M de relații cu clienții.

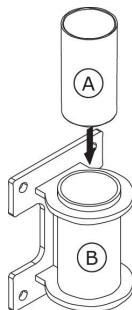
Înainte de utilizarea acestui echipament, înregistrați informațiile produsului de pe eticheta de identificare din secțiunea „Jurnal de inspecție și întreținere” de la finalul acestui manual.

Figura 1 ilustrează modelele de produse disponibile. Bazele Davit servesc ca porțiune a sistemului Davit care facilitează fixarea acestuia de sol. Sistemul Davit este fixat de bază și acționează ca un punct de ancorare reglabil și mobil pentru utilizator. Consultați instrucțiunile producătorului pentru sistemul Davit compatibil sau sistemul Davit pentru mai multe informații despre utilizările sistemului.

Figura 2 identifică principalele componente ale modelelor de produs disponibile. Baza Davit este compusă din două piese: un strat de protecție (A) și un manșon Davit (B). Stratul de protecție permite unui sistem Davit securizat să se rotească liber în interiorul manșonului Davit. Manșonul include o placă de montaj atașată pentru fixarea bazei Davit pe o structură.

Fiecare model de produs își are propriile specificații, indicate în Figura 1. Consultați tabelele cu specificații de produs pentru mai multe informații.

Figura 2 – Componente



Tabele cu specificații de produs

Specificațiile sistemului

Capacitate de utilizare:	Consultați instrucțiunile producătorului pentru modelele Davit compatibile pentru mai multe informații despre capacitatea sistemului.
Standarde:	Fiecare model de produs este certificat în raport cu/este conform cu standardele și reglementările aplicabile listate la Figura 1. Dacă nu se specifică niciuna, atunci se aplică toate standardele și reglementările menționate pe copertă.

Specificații componente

Figura 2 Referință	Componentă	Materiale
A	Strat de protecție	Polietilenă de înaltă densitate
B	Manșon Davit	8000101: Oțel carbon galvanizat
		8000102: Oțel inoxidabil

1.0 Utilizarea produsului

1.1 Scop: Sistemele Davit acționează ca structuri mobile de ancorare pentru sistemele de protecție împotriva căderilor. Asamblarea și componentele variază în funcție de sistem. Pentru mai multe informații despre aplicațiile de sistem, consultați secțiunea „Prezentare generală a produsului” și orice secțiuni despre instalare sau utilizare.

1.2 Supraveghere: Acest echipament va fi utilizat sub supravegherea unei persoane competente. Instalarea acestui echipament va avea loc sub supravegherea unei persoane competente. O persoană competentă trebuie să confirme că modul de instalare respectă reglementările locale și federale. Elementele de fixare și amplasarea bazei sistemului Davit trebuie, de asemenea, să fie aprobate de o persoană competentă.

1.3 Revânzare și distribuție: Dacă acest produs este revândut în afara țării inițiale de destinație, distribuitorul trebuie să pună la dispoziție aceste instrucțiuni în limba țării în care se va utiliza produsul.

1.4 Instruire: Acest echipament trebuie instalat și utilizat de persoane care au urmat un curs de instruire în ceea ce privește utilizarea corectă. Aceste instrucțiuni trebuie utilizate ca parte din programul de instruire a angajaților, conform standardelor naționale, regionale sau locale. Este responsabilitatea utilizatorului și a instalatorilor acestui echipament să se asigure că sunt familiarizați cu aceste instrucțiuni, că sunt instruiți cu privire la îngrijirea și utilizarea corespunzătoare a acestui echipament și că sunt familiarizați cu caracteristicile de funcționare, cu limitele de aplicabilitate și consecințele utilizării incorecte.

1.5 Plan de salvare: Atunci când se utilizează acest echipament și subsistemele de conectare, angajatorul trebuie să dețină un plan de salvare în scris și să aibă la îndemână mijloace pentru punerea în aplicare și comunicarea planului respectiv utilizatorilor, persoanelor autorizate și salvatorilor. Se recomandă prezența la fața locului a unei echipe de salvare instruite. Membrii echipei trebuie să dispună de echipamentul și tehnicile necesare pentru a efectua operațiunea de salvare cu succes. Cursurile de instruire trebuie să fie asigurate în mod periodic pentru a asigura competența salvatorilor. Salvatorilor trebuie să li se pună la dispoziție aceste instrucțiuni. Pe toată perioada procesului de salvare trebuie să existe contact vizual sau mijloace de comunicare cu persoana care este salvată.

2.0 Cerințe privind sistemul

2.1 Ancorare: Structura de ancorare care fixează acest produs trebuie să fie capabilă să reziste oricăror sarcini necesare permise de sistemul său de protecție împotriva căderii. Pentru informații suplimentare, consultați secțiunea 4.

2.2 Capacitate: Capacitatea de utilizare a unui sistem complet de protecție la cădere este limitată de componenta capacității maxime cu cea mai redusă valoare nominală. De exemplu, dacă subsistemul dvs. de conectare are o capacitate mai mică decât cea a hamului dvs., trebuie să respectați cerințele de capacitate ale subsistemului dvs. de conectare. Pentru a afla cerințele de capacitate, consultați instrucțiunile producătorului pentru fiecare componentă a sistemului dvs.

2.3 Pericole pentru mediul înconjurător: Utilizarea acestui echipament în zone cu pericole ecologice poate impune măsuri de precauție suplimentare pentru a preveni vătămarea utilizatorului sau deteriorarea echipamentului. Pericolele pot include, dar nu se limitează la: temperaturi ridicate, substanțe chimice, medii corozive, cabluri electrice de înaltă tensiune, gaze explozive sau toxice, utilaje mobile sau materiale suspendate care pot cădea sau atinge utilizatorul sau echipamentul. Contactați serviciul 3M de relații cu clienții pentru clarificări suplimentare.

2.4 Pericole pentru coarda de siguranță: Asigurați-vă că niciun pericol nu obstrucționează coarda de siguranță, inclusiv, dar fără limitare: încurcarea cu utilizatorii, alți lucrători, mașini în mișcare, alte obiecte înconjurătoare sau impactul de la obiectele suspendate care ar putea cădea pe coarda de siguranță sau utilizatori.

2.5 Compatibilitatea componentelor: Echipamentul 3M este conceput pentru a fi utilizat cu echipamente 3M. Utilizarea cu echipamente care nu sunt produse de 3M trebuie aprobată de o persoană competentă. Înlocuirile efectuate cu echipamente neaprobate pot pune în pericol compatibilitatea echipamentelor și pot afecta siguranța și fiabilitatea sistemului dumneavoastră de protecție împotriva căderii. Citiți și urmați toate instrucțiunile și avertismentele pentru toate echipamentele înainte de utilizare.

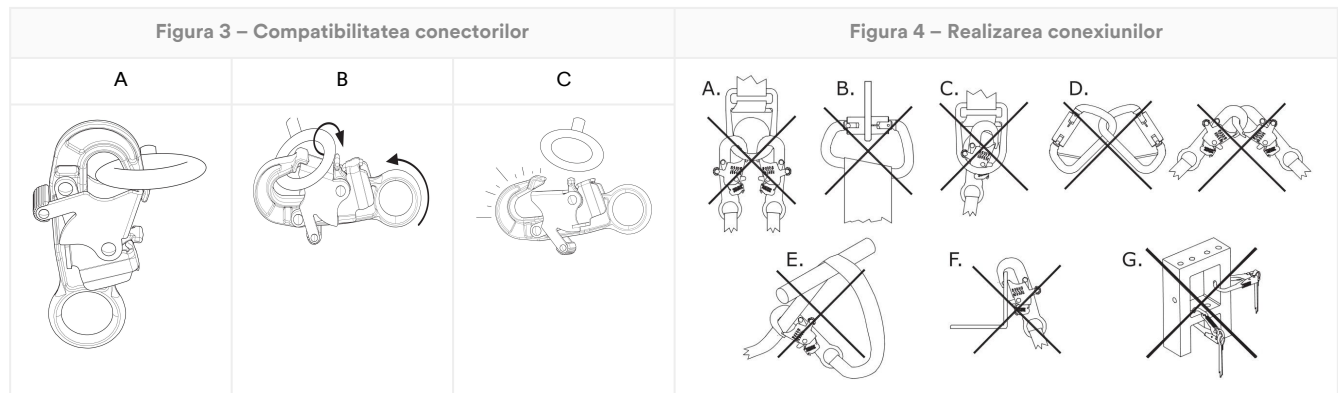
2.6 Compatibilitatea conectorilor: Conectorii sunt compatibili cu elementele de conectare atunci când dimensiunea și forma fiecărei componente nu provoacă deschiderea accidentală a conectorului, indiferent de orientare. Conectorii trebuie să respecte standardele aplicabile. Conectorii trebuie să fie complet închiși și blocați în timpul utilizării.

Conectorii 3M (cârlige de prindere sau cârlige cu deschidere asimetrică) sunt proiectați pentru a fi utilizați numai conform specificațiilor din fiecare manual de instrucțiuni. Asigurați-vă de compatibilitatea conectorilor cu componentele sistemului la care sunt conectați. Nu folosiți echipamente incompatibile. Utilizarea componentelor incompatibile poate cauza decuplarea accidentală a conectorului. Consultați figura pentru referință. Dacă elementul de conectare la care se atașează un conector are o dimensiune mai mică sau o formă neregulată, ar putea interveni o situație în care elementul de conectare

aplică forță asupra încuietorii conectorului (A). Această forță ar putea determina apoi deschiderea încuietorii (B), decuplând conectorul de elementul de conectare (C).

2.7 Realizarea conexiunilor: Toate conexiunile trebuie să fie compatibile ca mărime, formă și rezistență. Consultați figura pentru exemple de conectori neadecvați. Nu conectați cârlige de prindere și cârlige cu deschidere asimetrică:

1. La un Inel D la care este atașat un alt conector.
2. Într-o manieră în care ar exista o sarcină pe poartă. Cârligele de prindere cu gât mare nu trebuie conectate la Inele D sau la alte elemente de conectare, cu excepția cazului în care cârligul de prindere are o rezistență a încuietorii de 16 kN (3.600 lbf) sau mai mare.
3. Cuplarea falsă, în care dimensiunea sau forma conectorului sau elementului de conectare nu este compatibilă, poate părea complet realizată.
4. Unul cu altul.
5. Direct la sistemul de chingi, materialul bretelei de coardă sau materialul tirantului, cu excepția cazului în care o astfel de conexiune este permisă în mod explicit în instrucțiunile producătorului.
6. La orice obiect a cărui dimensiune sau formă nu permite conectorului să se închidă și să se blocheze complet sau care ar putea provoca deschiderea conectorului.
7. Într-o manieră care nu permite conectorului să se alinieze corect atunci când este sub sarcină.



3.0 Instalare

3.1 Prezentare generală: Instalarea unui sistem Davit se poate dovedi a fi o procedură complexă, în mai multe etape. Planificarea eficientă și buna cunoaștere a șantierului și a echipamentelor sunt de mare ajutor pentru ca acest proces să decurgă fără probleme.

3.2 Planificare: Planificați utilizarea sistemului de protecție împotriva căderilor înainte de a începe activitatea. Luați în considerare toți factorii care vă pot afecta siguranța înainte, în timpul și după o cădere. Țineți cont de toate cerințele și limitările stabilite în aceste instrucțiuni.

1. **Margini ascuțite:** Evitați utilizarea în cazul în care componentele sistemului pot intra în contact sau se pot freca de margini ascuțite și suprafețe abrazive neprotejate. Toate marginile ascuțite și suprafețele abrazive trebuie acoperite cu material de protecție.
2. **Compatibilitate:** Când montați sistemul, este important să utilizați componente compatibile. Fiecare model de produs este compatibil pentru utilizarea cu un anumit set de modele sau designuri de produs.

Baza Davit poate primi, de asemenea, orice extensii de catarg Davit compatibile cu sistemele Davit enumerate.

Modele Davit compatibile	Instrucțiuni de utilizare a sistemului Davit
8000107	5908417
8000108	5908417
8000130	5908364
8000131	5908364

3.3 Instalarea bazei sistemului Davit: Instalați baza sistemului Davit conform instrucțiunilor furnizate pentru modelul produsului dvs.

Suprafața structurii de ancorare trebuie curățată de orice resturi înainte de a instala baza sistemului Davit.

A. Bază Davit de montare pe perete: Baza Davit trebuie pregătită înainte de utilizare.

1. **Pregătiți locația.** Selectați o suprafață de montare adecvată pentru a instala baza Davit, apoi determinați unde ar trebui instalată baza. Trebuie să existe o distanță suficientă față de marginea (A) și o grosime suficientă a materialului (B) pentru cerințele de rezistență aferente structurii și sistemului dvs. Marcați și apoi realizați toate orificiile de montare până la diametrul și adâncimea recomandate de producătorul dispozitivului de fixare.

Baza Davit trebuie instalată pe o suprafață plană, verticală.

2. **Poziționați baza Davit.** Aliniați orificiile din placa de montaj cu orificiile realizate. Baza Davit trebuie poziționată în limitele a plus sau minus 1 grad față de verticală.
3. **Asigurați baza Davit.** Fixați baza Davit folosind dispozitivele de fixare selectate, așa cum se specifică în instrucțiunile producătorului dispozitivului de fixare.

Figura 6 – Instalarea bazei Davit de montare pe perete

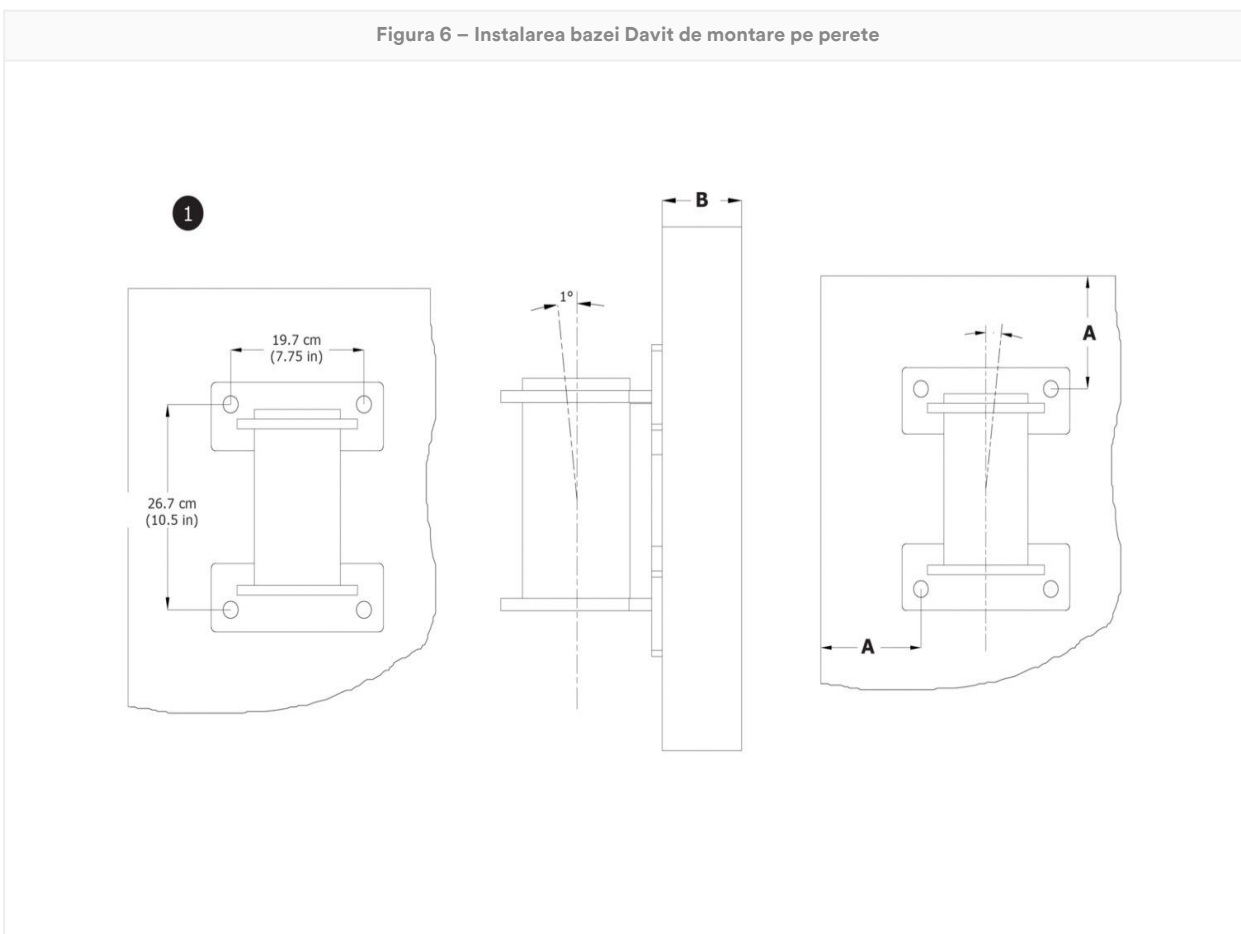
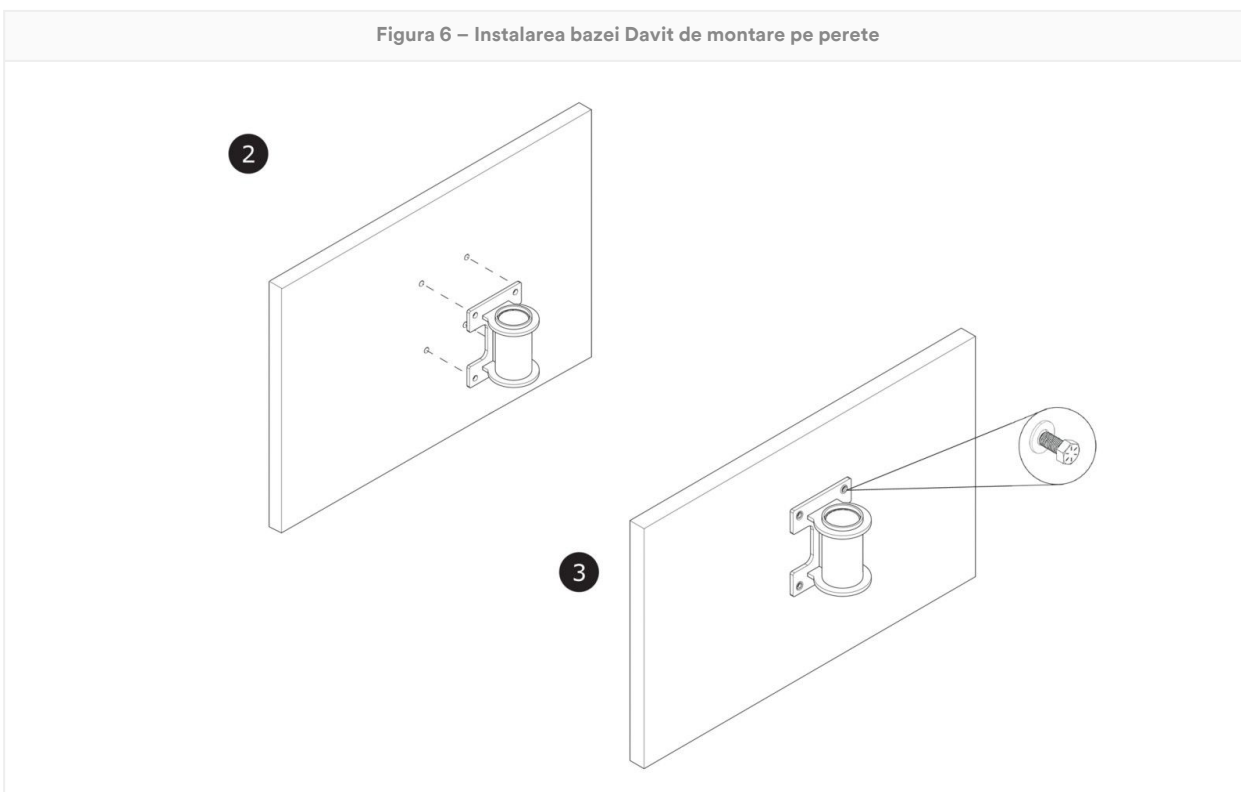


Figura 6 – Instalarea bazei Davit de montare pe perete



3.4 Fixarea sistemului Davit: După ce baza sistemului Davit a fost instalată, utilizatorul poate fixa brațul sau catargul sistemului Davit la bază. Sistemul Davit trebuie fixat pe stâlpul de montare sau în interiorul manșonului bazei sistemului Davit, după este cazul pentru baza sistemului Davit pe care o utilizați. Verificați dacă sistemul Davit este sigur și dacă toate ghidajele sau știfturile de blocare sunt utilizate în mod corespunzător. Pentru mai multe informații, citiți instrucțiunile producătorului pentru sistemul dvs. Davit.

4.0 Utilizare

4.1 Înainte de fiecare utilizare: Verificați dacă zona de lucru și sistemul de protecție împotriva căderii îndeplinesc toate criteriile definite în aceste instrucțiuni. Verificați dacă există în vigoare un plan oficial de salvare. Efectuați inspecția produsului conform punctelor de inspecție pentru „Utilizator” stabilite în „Jurnalul de inspecție și întreținere”. În cazul în care inspecția relevă o stare de nesiguranță sau defectuoasă sau dacă apare orice îndoială cu privire la starea de utilizare în siguranță, încetați imediat utilizarea produsului. Marcați clar produsul cu „NU UTILIZAȚI”. Pentru informații suplimentare, consultați secțiunea 5.

4.2 Ancorare: Pe lângă capacitatea produsului, orice sistem de protecție împotriva căderii trebuie să ia în calcul rezistența oricăror structuri sau componente de susținere.

1. **Structura de ancorare:** Structura de ancorare care fixează acest produs trebuie să fie capabilă să reziste sarcinilor necesare permise de sistemul de protecție împotriva căderii al acestui produs.

Sarcină de moment	136.400 in-lb (15,41 kN*m)
-------------------	----------------------------

2. **Puncte de conectare pentru ancorare:** Punctele de conectare pentru ancorare utilizate împreună cu produsul trebuie să poată face față oricăror sarcini aplicate de produs.
3. **Dispozitive de prindere:** Orice elemente de fixare care fixează produsul la poziție trebuie să fie suficient de rezistente pentru a menține produsul fix în timpul utilizării. Consultați instrucțiunile producătorului dispozitivului de prindere pentru informații suplimentare.

Forță de extragere a dispozitivelor de fixare	8.000 lbf (35,59 kN)
Rezistența de rupere la forfecare a unui dispozitiv de fixare	5.000 lbf (22,2 kN)

4.3 După o cădere: Dacă acest echipament este supus forței de oprire a căderii sau de impact, scoateți imediat din uz dispozitivul. Etichetați-l clar „NU UTILIZAȚI”. Pentru informații suplimentare, consultați secțiunea 5.

4.4 Manipularea materialelor: 3M permite utilizarea acestui produs pentru manipularea materialelor conform instrucțiunilor. Reglementările sau standardele locale pot avea restricții suplimentare sau pot reglementa utilizarea echipamentului de protecție împotriva căderii pentru manipularea materialelor.

⚠CAUTION:

Acest produs trebuie utilizat cu un sistem Davit compatibil pentru a fi utilizat la manipularea materialelor. Nu asigurați niciodată o încărcătură de material direct pe baza Davit.

Înainte de a vă asigura încărcătura de material, verificați dacă a fost pregătită pentru transport.

Nu fixați niciodată acest produs pe materiale și utilizatori simultan.

Produsul utilizat pentru manipularea materialelor trebuie inspectat de o persoană competentă înainte de următoarea utilizare. Reglementările sau standardele locale pot restricționa comutarea între utilizarea cu personal și manipularea materialelor.

1. **Asigurați sistemul Davit.** Asigurați sistemul Davit pe baza Davit, așa cum se specifică în instrucțiunile de utilizare aferente.
2. **Asigurați un subsistem de conectare la sistemul Davit.** Pentru mai multe informații, consultați instrucțiunile producătorului sistemului Davit.
3. **Asigurați coarda de siguranță pe încărcătura de material.** Coborâți sau ridicați încărcătura de material după cum este necesar.

Capacitate de manipulare a materialului

750 lb (340 kg)

5.0 Inspecție

După ce echipamentul a fost scos din uz, acesta nu poate fi repus în funcțiune înainte ca o persoană competentă să confirme în scris că acest lucru este posibil.

5.1 Frecvența inspecțiilor: Produsul va fi inspectat înainte de fiecare utilizare de către utilizator și, de asemenea, de către o persoană competentă, alta decât utilizatorul, la intervalele specificate mai jos. O frecvență mai mare de utilizare a echipamentului și condiții mai dificile pot necesita creșterea frecvenței inspecțiilor de efectuat de către persoana competentă. Frecvența acestor inspecții trebuie să fie determinată de persoana competentă, în funcție de condițiile specifice ale șantierului.

Standard sau regiune aplicabilă	Frecvența necesară a inspecțiilor de către persoane competente
ANSI și OSHA	O dată pe an
Standarde EN	O dată pe an
AS/NZS	O dată pe an

5.2 Proceduri de inspecție: Inspectați acest produs conform procedurilor enumerate în „Jurnalul de inspecție și întreținere”. Documentația fiecărei inspecții trebuie păstrată de proprietarul acestui echipament. Jurnalul de inspecție și întreținere trebuie să fie disponibil lângă produs sau să fie oricum ușor accesibil utilizatorilor. Se recomandă ca produsul să fie marcat cu data următoarei sau ultimei inspecții.

5.3 Defecte: Dacă produsul nu poate fi repus în uz din cauza unui defect sau a unei stări de nesiguranță, atunci produsul trebuie fie distrus, fie trimis la 3M sau la un service autorizat 3M în vederea reparării.

5.4 Durată de viață a produsului: durata de funcționare a produsului este determinată de condițiile de lucru și de starea de întreținere. Atât timp cât produsul îndeplinește criteriile de inspecție, acesta poate rămâne în uz.

6.0 Întreținere, depozitare și reparare

Echipamentele care necesită întreținere sau care sunt programate pentru întreținere trebuie să fie etichetate „NU UTILIZAȚI”. Aceste etichete ale echipamentului nu trebuie îndepărtate până la efectuarea lucrărilor de întreținere.

6.1 Curățare: Curățați periodic componentele metalice ale produsului, folosind apă caldă și un detergent obișnuit. Clățiți produsul cu apă curată și lăsați-l apoi să se usuce. Pentru mai multe informații, consultați buletinul tehnic de pe site-ul nostru web: <https://www.3M.com/FallProtection/Mechanical-Device-Cleaning>

6.2 Reparare: Doar 3M sau persoanele autorizate în scris de către 3M pot efectua reparații la acest echipament.

6.3 Depozitare și transport: Depozitați și transportați produsul într-un mediu răcoros, uscat și curat, ferit de lumina directă a soarelui. Evitați zonele în care pot exista vapori de substanțe chimice. După o depozitare îndelungată, inspectați componentele cu atenție.

Bazele instalate permanent nu trebuie să părăsească locația de lucru. Alte componente pot fi scoase din structura de bază pentru depozitare sau transport, dar baza va trebui să rămână.

⚠WARNING:

Tranzițiile bruște între medii calde și cele extrem de reci pot afecta performanțele echipamentului dvs. Dispozitivele mecanice (cum ar fi dispozitivele cu rapel automat, trolile, dispozitivele de recuperare, manșoanele de cățărare etc.) trebuie adaptate pentru utilizare în condiții de frig sau căldură extremă, depozitându-le la temperaturi similare cu cele din mediul de lucru. Efectuați întotdeauna o inspecție înainte de utilizare a echipamentului, în mediul său de lucru, înainte de a-l utiliza.

7.0 Etichete și marcaje

7.1 Rezumat: Figura „Etichetele produsului” ilustrează etichetele și marcajele prezente pe produs. Consultați mai jos un rezumat al informațiilor furnizate pe fiecare etichetă și marcaj.

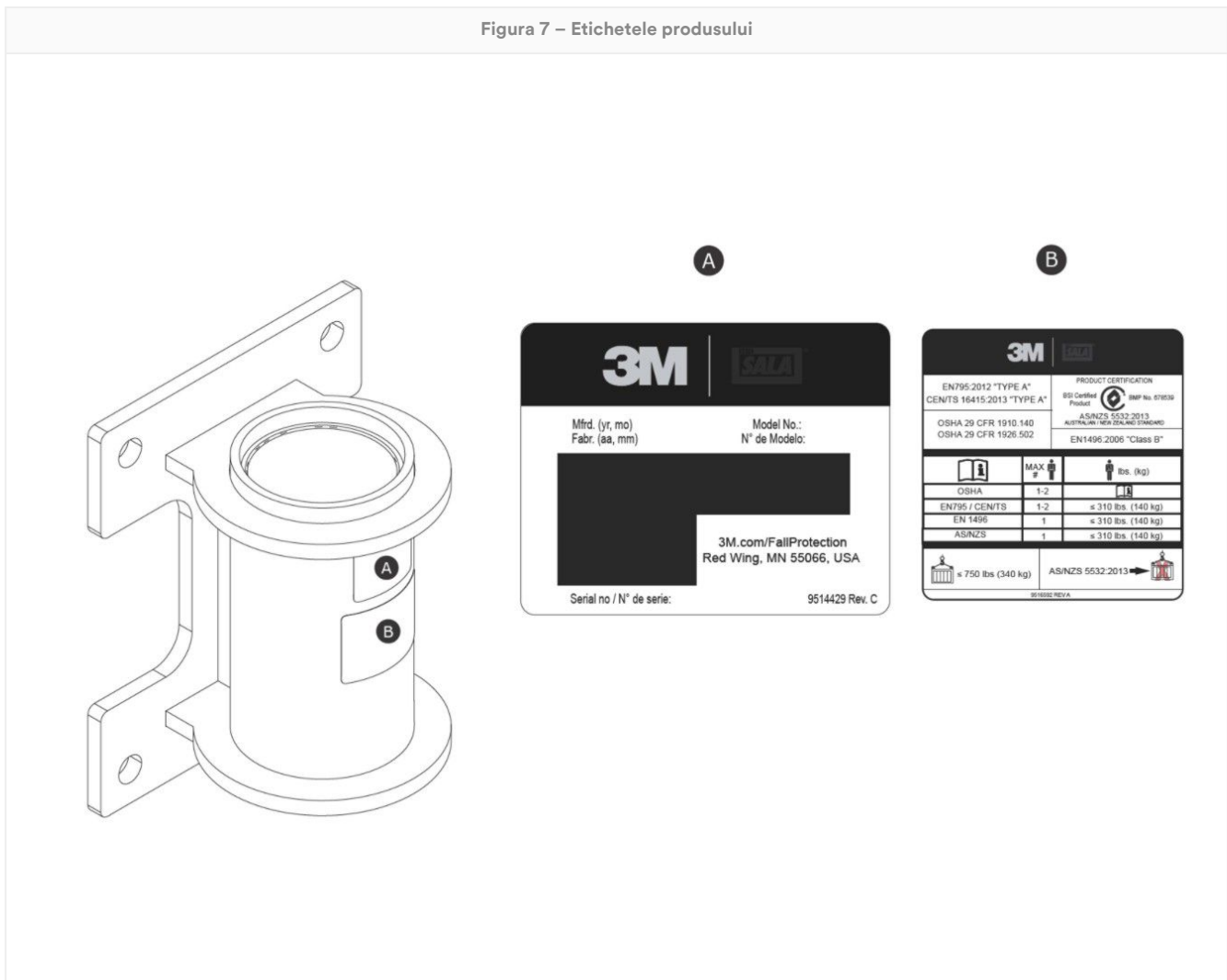
NOTICE:

Imaginile etichetelor sunt concepute în scop orientativ. Pentru informații specifice, consultați etichetele produsului.

Etichetele lipsă sau deteriorate trebuie înlocuite. Toate etichetele trebuie să fie lizibile în totalitate.

A	Etichetă cu specificațiile produsului
B	Etichetă de identificare

Figura 7 – Etichetele produsului



Glosar

Definiții: În aceste instrucțiuni se utilizează următorii termeni și următoarele definiții:

Pentru lista completă de termeni și definiții, vizitați site-ul nostru web: www.3m.com/FallProtection/ifu-glossary

- **Persoană autorizată:** Persoana desemnată de angajator pentru îndeplinirea atribuțiilor într-un loc în care persoana va fi expusă la un risc de cădere.

- **Persoană competentă:** Persoana care este în măsură să identifice pericolele existente și predictibile în zona din împrejurimi sau condițiile de muncă necorespunzătoare, insalubre, periculoase sau riscante pentru angajați și care este autorizată să ia măsuri corective prompte pentru eliminarea acestora.
- **Sistem de oprire a căderii:** Colecția de echipamente de protecție împotriva căderii configurate pentru a proteja utilizatorul în caz de cădere.
- **Persoană competentă:** Persoana care deține o diplomă sau un certificat sau are un statut profesional recunoscut sau care, prin cunoștințe, pregătire și experiență extinse, și-a demonstrat cu succes capacitatea de a rezolva problemele legate de sistemele de protecție împotriva căderii și de salvare, în măsura impusă de reglementările naționale, regionale și locale aplicabile.
- **Sistem de salvare:** Colecția de echipamente de protecție împotriva căderii configurate pentru a scoate o persoană dintr-o zonă periculoasă spre o locație sigură. Căderea liberă nu este permisă.
- **Salvator:** Persoana care folosește sistemul de salvare pentru a efectua o salvare asistată.
- **Sistem de limitare a căderii:** Colecția de echipamente de protecție împotriva căderii configurate pentru a împiedica utilizatorul de a ajunge să fie expus unui risc de cădere. Căderea liberă nu este permisă.
- **Utilizator:** Persoana care desfășoară activități, fiind protejată de un sistem de protecție împotriva căderii.
- **Sistem de poziționare în timpul lucrului:** Colecția de echipamente de protecție împotriva căderii configurate pentru a sprijini un utilizator într-o poziție în timpul lucrului.

Jurnal de inspecție și întreținere

O copie a acestui tabel trebuie utilizată pentru fiecare inspecție. Înregistrați informațiile mai jos.

Producător: 3M Fall Protection

Număr de model (număr de serie):

Data achiziționării:

Data primei utilizări:

Înainte de utilizare, acest produs trebuie inspectat de utilizator. De asemenea, o persoană competentă, alta decât utilizatorul, trebuie să inspecteze acest echipament la intervalele specificate în secțiunea 5.

Componentă	Procedura de inspecție	Rezultatul inspecției (admis sau respins)
Produs (Figura 2)	Inspectați baza Davit pentru a vedea dacă prezintă semne de deteriorare, deformare, coroziune și rugină. Căutați fisuri, îndoiri, lovituri sau uzură care ar putea afecta rezistența și funcționarea sistemului. La verificarea de coroziune, inspectați și dispozitivul de ancorare, sistemele de fixare sau prindere ale acestuia și structura pe care este fixat dispozitivul de ancorare.	
	Verificați toate dispozitivele de fixare pentru urme de deteriorare sau coroziune. Strângeți, după cum este necesar.	
	Inspectați toate componentele mobile pentru a depista așchii, fisuri, crăpături sau zone uzate care pot cauza defecțiuni în timpul funcționării.	
Etichete	Toate etichetele trebuie să fie prezente și perfect lizibile.	
Echipament de protecție împotriva căderii	Echipamentul suplimentar de protecție la cădere utilizat cu produsul este instalat și inspectat conform instrucțiunilor producătorului. Verificați dacă gradul de rezistență pentru fiecare dintre produsele dvs. este compatibil și suficient pentru aplicația prevăzută.	

Rezumatul inspecției produsului

Dacă produsul nu obține rezultat pozitiv la o procedură de inspecție, nu va obține rezultat pozitiv nici la inspecția generală. Dacă produsul nu obține rezultat pozitiv la inspecție, încetați imediat utilizarea acestuia. Marcați clar produsul cu „NU UTILIZAȚI”. Pentru informații suplimentare, consultați secțiunea 5.


Tipul inspecției:	<input type="checkbox"/> Utilizator	<input type="checkbox"/> Persoană competentă	Rezultatul inspecției generale:	
Inspectat de:			Data inspecției:	
Semnătură:			Data următoarei inspecții:	
Note suplimentare:				

Certificări

Produsul dvs. respectă standardele naționale sau regionale identificate pe coperta din față a acestor instrucțiuni. Certificarea și conformitatea pot fi limitate la modele sau aplicații individuale de produse.

Pentru mai multe informații despre cerințele de certificare sau de conformitate, consultați standardele și reglementările aplicabile enumerate pentru produsul dvs.

Utilizatorii conform standardelor AS/NZS trebuie să consulte AS/NZS 1891.4 pentru cerințe privind selecția, utilizarea, întreținerea și instruirea.

Produs certificat BSI AS/NZS 5532:2013 Licență: BMP 678539	BSI – Head Office Suite 1, Level 1, 54 Waterloo Road Macquarie Park, NSW, 2113 Australia	
--	--	---

Garanția globală a produsului, măsuri reparatorii limitate și limitarea răspunderii

Garanție: Următoarea garanție înlocuiește toate garanțiile și condițiile, exprese sau implicite, inclusiv garanțiile implicite sau condițiile de vandabilitate sau de adecvare pentru un anumit scop.

Numai dacă nu se prevede altfel prin legislația aplicabilă, produsele 3M de protecție împotriva căderii sunt garantate în caz de defecte de fabricație, cauzate de manoperă sau de materiale, pe o perioadă de timp de un an de la data instalării sau a primei utilizări de către proprietarul original.

Măsuri reparatorii limitate: La notificarea scrisă transmisă către 3M, 3M va repara sau va înlocui orice produs despre care 3M stabilește că prezintă un defect de fabricație, cauzat de manoperă sau de materiale. 3M își rezervă dreptul de a solicita ca produsul să fie returnat la unitatea sa, în vederea evaluării cererii de aplicare a garanției. Această garanție nu acoperă deteriorarea produselor cauzată de uzură, de utilizare abuzivă sau inadecvată, de avarierea în tranzit, de faptul că produsul nu a fost supus operațiunilor de mentenanță sau alte deteriorări ce ies din sfera de control a 3M. 3M va fi singurul care va aprecia starea produsului și opțiunile de garanție.

Această garanție i se aplică numai cumpărătorului original și este singura garanție aplicabilă produselor 3M de protecție împotriva căderii. Pentru asistență, apălați departamentul 3M de Asistență clienți din regiunea dvs.

Limitarea răspunderii: În măsura permisă prin legislația locală, 3M nu răspunde pentru niciun fel de daune indirecte, incidentale, speciale sau apărute pe cale de consecință, ceea ce include, fără însă a se limita la pierderea profitului, legate în orice mod de produse, indiferent de legislația aplicabilă.

3M™ DBI-SALA® Nástenná základňa žeriava

Používateľská príručka

Číslo formulára: 5903663, Revízia: F

Tento produkt je certifikovaný alebo vyhovuje nasledujúcim štandardom a predpisom. Certifikácia a zhoda môžu byť obmedzené na jednotlivé modely výrobkov alebo aplikácie. Ďalšie informácie nájdete v časti *Certifikácie*.

- OSHA 29 CFR 1910.140, 1926.502
- EN 795:2012 (typ A)
- CEN/TS 16415:2013 (typ A)
- EN 1496:2006 (ustanovenie 4.6)
- AS/NZS 5532:2013

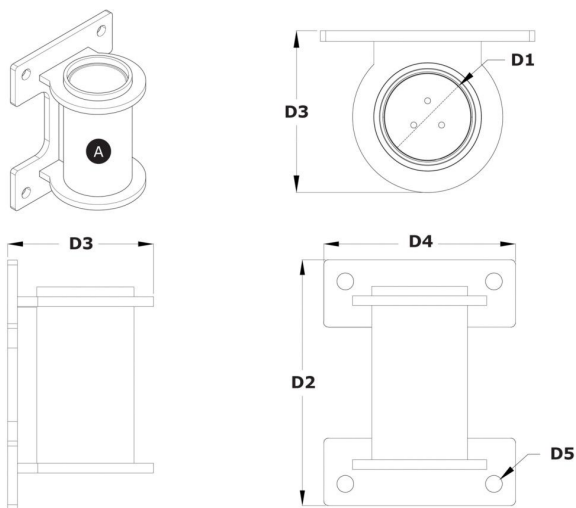
⚠WARNING:

Identifikáciu kódov produktov nájdete v tabuľkách špecifikácií produktu. Ďalšie informácie o produkte nájdete v časti Opis výrobku.

Niektoré komponenty nemusia byť certifikované jednotlivo a môžu vyžadovať montáž, aby sa splnili certifikačné požiadavky.

Obrázok 1 – Opis výrobku

Model	Štýl	D1	D2	D3	D4	D5	Hmotnosť produktu
8000101	A	10,2 cm (4,0 in.)	32,4 cm (12,75 in.)	19,0 cm (7,5 in.)	25,4 cm (10,0 in.)	22,2 mm (0,88 in.)	15,7 kg (34,0 lb)
8000102	A	10,2 cm (4,0 in.)	32,4 cm (12,75 in.)	19,0 cm (7,5 in.)	25,4 cm (10,0 in.)	22,2 mm (0,88 in.)	15,7 kg (34,0 lb)



Bezpečnostné informácie

Pred použitím tohto produktu si prečítajte všetky bezpečnostné informácie obsiahnuté v týchto pokynoch, snažte sa im porozumieť a dodržiavajte ich. POKIAĽ TAK NEUČINÍTE, MÔŽE DÔJSŤ K VÁŽNEMU ZRANENIU ALEBO USMRTENIU.

Tieto pokyny je nevyhnutné odovzdať používateľovi tohto vybavenia. Tieto pokyny si odložte pre prípad potreby v budúcnosti.

Bezpečnostné informácie

Formulár: 5908277, revízia: B

Určený účel použitia

Toto vybavenie sa používa ako súčasť kompletného systému ochrany proti pádu.

Akékoľvek iné využívanie zariadenia vrátane neschváleného využitia na manipuláciu s materiálom, rekreačné alebo na iné činnosti súvisiace so športom alebo na iné činnosti, ktoré nie sú uvedené v tomto návode, nie je schválené spoločnosťou 3M a mohlo by spôsobiť vážne zranenie alebo smrť.

Toto vybavenie je určené len na použitie na pracovisku zaškolenými používateľmi.

Upozornenie

Toto vybavenie sa používa ako súčasť kompletného systému ochrany proti pádu.

Všetci používatelia musia byť plne zaškolení na bezpečnú inštaláciu a obsluhu svojho kompletného systému ochrany pred pádom. Nesprávne použitie tohto vybavenia by mohlo spôsobiť vážne zranenie alebo smrtenie. Informácie o správnom výbere, prevádzke, inštalácii, údržbe a servise sa dozviete v príslušných návodoch na používanie a odporúčaniach výrobcu. O ďalšie informácie požiadajte svojho nadriadeného alebo technický servis spoločnosti 3M.

- **Na zníženie rizík spojených s používaním záchranného systému na vstup do stiesnených priestorov, ktoré by mohli spôsobiť vážne zranenie alebo smrť, ak sa im nezabráni:**
 - Pred každým použitím a po každom páde skontrolujte vybavenie v súlade s postupmi uvedenými v týchto pokynoch.
 - Ak sa pri kontrole zistí, že stav vybavenia nie je bezpečný alebo je vybavenie chybné, prestaňte ho okamžite používať a označte ho zreteľným nápisom „NEPOUŽÍVAŤ“. Vybavenie zničte alebo opravte podľa požiadaviek týchto pokynov.
 - Akékoľvek vybavenie, ktoré bolo použité na zachytenie pádu alebo čelilo sile dopadu, je nutné okamžite prestať používať. Vybavenie zničte alebo opravte podľa požiadaviek týchto pokynov.
 - Dbajte na to, aby systémy na ochranu proti pádu zostavené zo súčastí vyrobených rôznymi výrobcami, boli kompatibilné a aby spĺňali všetky platné nariadenia, normy alebo požiadavky týkajúce sa ochrany proti pádu. Pred používaním týchto systémov sa vždy poraďte s kompetentnou osobou.
 - Výrobok sa smie inštalovať len podľa pokynov v návodoch na používanie. Inštaláciu a použitie inak, ako je uvedené v týchto návodoch na používanie, musí písomne schváliť spoločnosť 3M.
 - Podsystemy na ochranu proti pádu pripájajte len k určeným pripájacím bodom ukotvenia na výrobku.
 - Pred inštaláciou sa uistite, že metódy inštalácie a výrobok nebudú zasahovať do elektrických vedení, plynových vedení alebo iných kritických materiálov alebo systémov.
 - Uistite sa, že je výrobok správne nakonfigurovaný a nainštalovaný na bezpečnú prevádzku, ako je opísané v týchto pokynoch.
 - Záchranné lano nekrúťte, neuzlujzte, nezvážujte a dbajte na to, aby nedochádzalo k jeho previsnutiu.
 - Neprekračujte stanovený maximálny počet používateľov uvedený v tomto návode.
 - Pri inštalácii, používaní a presúvaní výrobku dávajte pozor, pretože pohyblivé časti môžu spôsobiť riziko pricviknutia.
 - V prípade potreby sa musia dodržiavať postupy uzamknutia/označenia.
 - neupínajte sa k systému, pokiaľ sa prepravuje alebo inštaluje;
- **Na zníženie rizík spojených s prácou vo výškach, ktoré, ak sa im nezabráni, by mohli spôsobiť vážne zranenie alebo usmrtenie:**
 - Váš zdravotný a fyzický stav vám musí umožniť bezpečne pracovať vo výške a odolať všetkým silám spojeným s prípadom zachytenia pádu. Ak máte akékoľvek otázky, či toto vybavenie môžete používať, poraďte sa so svojim lekárom.
 - Nikdy neprekračujte povolenú nosnosť vášho ochranného vybavenia proti pádu.
 - Nikdy neprekračujte maximálnu vzdialenosť voľného pádu určenú pre vaše ochranné vybavenie proti pádu.
 - Nepoužívajte žiadne ochranné vybavenie proti pádu, ktoré neprešlo kontrolou, alebo ak máte obavy o používanie či vhodnosť vybavenia. S akýmkoľvek otázkami sa obráťte na oddelenie služieb zákazníkom spoločnosti 3M.
 - Niektoré kombinácie podsystemov a komponentov môžu pri používaní tohto vybavenia prekážať. Používajte iba kompatibilné kombinácie. Pred použitím tohto vybavenia spolu s inými komponentmi alebo podsystemami, ktoré nie sú uvedené v tomto návode, sa poraďte s oddelením služieb zákazníkom spoločnosti 3M.
 - Pri práci v okolí pohybujúcich sa strojov, elektrických rizík, extrémnych teplôt, chemických rizík, výbušných alebo toxických plynov, ostrých hrán, drsných povrchov alebo pod zavesenými predmetmi, ktoré by mohli spadnúť na vás alebo na vaše vybavenie na ochranu proti pádu, použite mimoriadne bezpečnostné a preventívne opatrenia.
 - Uistite sa, že váš výrobok je klasifikovaný pre riziká, ktoré hrozia vo vašom pracovnom prostredí.
 - Pri práci vo výške dbajte na bezpečnú výšku ukotvenia.
 - Nikdy neupravujte ani nemeňte vaše ochranné vybavenie proti pádu. Opravy vybavenia 3M môžu vykonávať iba pracovníci spoločnosti 3M alebo osoby písomne oprávnené spoločnosťou 3M.
 - Pred použitím ochranného vybavenia proti pádu sa uistite, že existuje písomný plán záchranu, ktorý zabezpečí rýchlu záchranu v prípade pádu.
 - Ak dôjde k pádu, pre pracovníka, ktorý spadol, okamžite zabezpečte lekársku pomoc.
 - Na zachytenie pádu používajte len celotelový postroj. Nepoužívajte telový pás.
 - Minimalizujte riziko kyvadlového pádu tým, že budete podľa možnosti pracovať v rovine pod bodom ukotvenia.
 - Pri absolvovaní školenia zameraného na prácu s týmto výrobkom sa musí používať sekundárny systém ochrany proti pádu. Školené osoby nesmú byť vystavené neúmyselnému nebezpečenstvu pádu.
 - Pri inštalácii, používaní alebo kontrole produktu noste vždy náležité osobné ochranné prostriedky.
 - Nikdy nepracujte pod zaveseným nákladom alebo pracovníkom.
 - Vždy používajte 100 % istenie.

Opis produktu

Vždy sa uistite, že používate najnovšiu verziu návodu na používanie od spoločnosti 3M. Aktuálne návody na používanie nájdete na webovej stránke www.3m.com/userinstructions alebo sa obráťte na zákaznícky servis spoločnosti 3M.

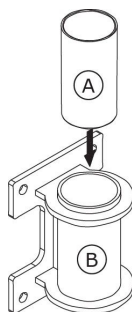
Pred použitím tohto vybavenia zaznamenajte informácie o identifikácii výrobku z identifikačného (ID) štítku do „Záznamu o kontrole a údržbe“ vzadu v tomto návode.

Obrázok 1 znázorňuje dostupné modely produktov. Základne žeriava slúžia ako časť systému žeriava, ktorá ho pomáha pripevniť k zemi. Žeriav je pripevnený k základni a zároveň funguje ako nastaviteľný, pohyblivý kotviaci bod pre používateľa. Ďalšie informácie o použití systému nájdete v pokynoch výrobcu pre kompatibilný žeriav alebo systém žeriava.

Na obrázku 2 sú uvedené kľúčové súčasti dostupných modelov produktu. Základňa žeriavu sa skladá z dvoch kusov: Krycia vrstva (A) a rukáv žeriava (B). Krycia vrstva umožňuje bezpečné otáčanie žeriava vo vnútri rukáva žeriava. Rukáv obsahuje pripevnenú montážnu dosku na pripevnenie základne žeriava ku konštrukcii.

Každý model produktu má vlastné špecifikácie, ako je uvedené na obrázku č. 1. Viac informácií nájdete v tabuľkách so špecifikáciami produktu.

Obrázok 2 – Komponenty



Tabulky špecifikácií produktu

Špecifikácie systému

Nosnosť:	Ďalšie informácie o nosnosti systému nájdete v pokynoch výrobcu pre kompatibilné modely žeriava.
Normy:	Každý model produktu je certifikovaný podľa platných noriem a nariadení uvedených na obrázku 1 alebo v súlade s nimi. Ak nie sú uvedené žiadne, platia všetky normy a nariadenia uvedené na obale.

Špecifikácie komponentov

Referencia z obrázku 2	Komponent	Materiály
A	Krycia vrstva	Polyetylén s vysokou hustotou
B	Rukáv žeriava	8000101: Pozinkovaná uhlíková oceľ
		8000102: Nehrzdavejúca oceľ

1.0 Použitie produktu

1.1 Účel: Žeriavové systémy fungujú ako mobilné kotviace konštrukcie pre systémy ochrany proti pádu. Montáž a komponenty sa budú líšiť v závislosti od systému. Ďalšie informácie o použitíach systému nájdete v časti „Opis výrobku” spolu so všetkými časťami o inštalácii alebo používaní.

1.2 Dohľad: Toto vybavenie sa smie používať pod dohľadom kompetentnej osoby. Inštalácia tohto vybavenia sa musí vykonávať pod dohľadom kompetentnej osoby. Kvalifikovaná osoba musí potvrdiť, že inštalácia spĺňa miestne a federálne právne predpisy. Umiestnenie upevňovacích prvkov a základne žeriava musí tiež schváliť kvalifikovaná osoba.

1.3 Ďalší predaj a distribúcia: Ak sa tento výrobok predáva mimo pôvodnej cieľovej krajiny, predávajúci musí poskytnúť tento návod v jazyku krajiny, v ktorej sa výrobok bude používať.

1.4 Školenie: Toto vybavenie je určené na inštaláciu a použitie osobami vyškolenými v jeho správnom použití. Tento návod je určený na použitie v rámci školiaceho programu zamestnancov podľa požiadaviek vnútroštátnych, regionálnych alebo miestnych predpisov. Používatelia a montéri tohto vybavenia zodpovedajú za to, že sa s týmto návodom oboznámili, že sú vyškolení na správnu starostlivosť a používanie vybavenia a že sú si vedomí prevádzkových vlastností, obmedzení používania a dôsledkov nesprávneho používania tohto vybavenia.

1.5 Záchranný plán: Pri použití tohto vybavenia a pripájaní podsystemov musí mať zamestnávateľ pripravený záchranný plán a prostriedky na jeho zavedenie písomne a musí s ním oboznámiť používateľov, autorizované osoby a záchranárov. Odporúča sa mať na pracovisku vyškolený záchranný tím. Členovia tímu musia mať k dispozícii vybavenie a techniku potrebné na úspešnú záchranu. Je potrebné zabezpečiť pravidelné školenia, aby boli zaručené dokonalé znalosti záchranárov. Záchranári musia dostať tento návod. Počas celého priebehu záchranu odporúčame udržiavať vizuálny kontakt alebo iný spôsob komunikácie so zachraňovanou osobou.

2.0 Systémové požiadavky

2.1 Ukotvenie: Konštrukcia kotvy, ktorá zabezpečuje tento produkt, musí byť schopná odolať každému požadovanému zaťaženiu, ktoré umožňuje príslušný systém ochrany pred pádom. Viac informácií nájdete v časti 4.

2.2 Nosnosť: Nosnosť celého systému ochrany proti pádu je obmedzená súčasťou s najnižšou nosnosťou. Ak má napríklad spojovací podsystem nosnosť menšiu ako váš stroj, musíte dodržať požiadavky týkajúce sa nosnosti pripájacieho podsystemu. Požiadavky týkajúce sa nosnosti nájdete v návode výrobcu k jednotlivým súčastiam svojho systému.

2.3 Nebezpečenstvá pre životné prostredie: Používanie tohto vybavenia v priestoroch s rizikovým prostredím si môže vyžadovať ďalšie bezpečnostné opatrenia, aby sa predišlo nebezpečenstvu úrazu používateľa alebo poškodenia vybavenia. Nebezpečenstvá môžu zahŕňať okrem iného: veľké teplo, chemikálie, korozívne prostredia, vedenia vysokého napätia, výbušné alebo toxické plyny, pohybujúce sa stroje alebo materiály, ktoré môžu spadnúť a zasiahnuť používateľa alebo vybavenie. Ak potrebujete ďalšie objasnenie, obráťte sa na zákaznícky servis spoločnosti 3M.

2.4 Riziká týkajúce sa záchranného lana: Chráňte záchranné lano pred všetkými rizikami, ako napríklad: omotanie lana okolo používateľov, iných pracovníkov, pohybujúcich sa strojov, iných okolitých predmetov alebo nárazy predmetov nad hlavou, ktoré by mohli spadnúť na záchranné lano alebo používateľov.

2.5 Kompatibilita súčastí vybavenia: Vybavenie 3M je navrhnuté na použitie s ďalšími prvkami vybavenia 3M. Použitie s vybavením inej značky ako 3M musí schváliť kompetentná osoba. Nahradenie neschváleným vybavením môže ohroziť kompatibilitu vybavenia a ovplyvniť bezpečnosť a spoľahlivosť vášho systému ochrany proti pádu. Pred použitím si prečítajte všetky pokyny a varovania ku všetkým prvkom vybavenia a dodržiavajte ich.

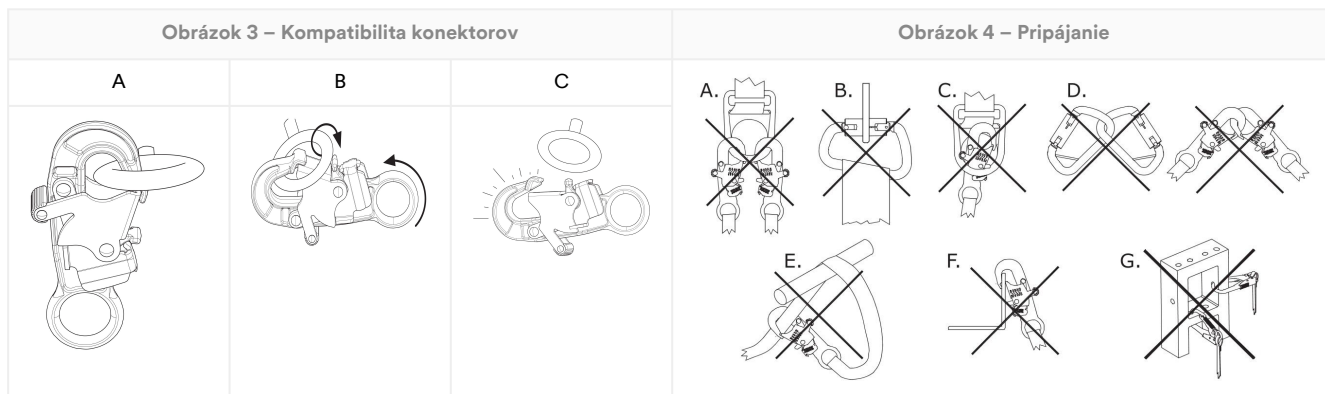
2.6 Kompatibilita konektorov: Konektory sú kompatibilné so spojovacími prvkami vtedy, keď veľkosť a tvar žiadneho komponentu nespôsobuje neúmyselné otvorenie konektora bez ohľadu na jeho orientáciu. Konektory musia spĺňať príslušné normy. Konektory musia byť počas používania úplne zatvorené a uzamknuté.

3M konektory (zaskakovacie háky a karabíny) sú navrhnuté na použitie len podľa špecifikácií, ktoré sú uvedené v príslušnom návode na používanie. Skontrolujte, či sú konektory kompatibilné so systémovými komponentmi, ku ktorým sú pripojené. Nepoužívajte vybavenie, ktoré nie je kompatibilné. Použitie nekompatibilných komponentov môže spôsobiť neúmyselné odpojenie konektora. Znázornenie nájdete na obrázku. Ak je spojovací prvok, ku ktorému sa pripája konektor, poddimenzovaný alebo má nepravidelný tvar, môže nastať situácia, pri ktorej spojovací prvok vyvíja silu na uzáver konektora (A). Táto sila by potom mohla spôsobiť otvorenie uzáveru (B) a odpojenie konektora od spojovacieho prvku (C).

2.7 Pripájanie: Všetky spojenia musia byť kompatibilné veľkosťou, tvarom a pevnosťou. Príklady nesprávneho pripojenia sú znázornené na obrázku. Zaskakovacie háky a karabíny nepripájajte:

1. K D-krúžku, ku ktorému je už pripojený iný konektor.

2. Spôsobom, ktorý bude mať za následok zaťaženie uzáveru. Zaskakovacie háky s veľkým otvorom sa nesmú pripájať k D-kružkom ani k iným spojovacím prvkom, pokiaľ zaskakovací hák nemá uzáver odolný zaťaženiu 16 kN (1 630 kg) alebo viac.
3. V prípade falošného zapojenia, kde veľkosť alebo tvar konektorov alebo spojovacích prvkov nie sú kompatibilné a bez vizuálneho potvrdenia sa konektory zdajú byť plne zapojené.
4. Jeden k druhému.
5. Priamo na popruhy postroja, materiál vetvy bezpečnostného lana alebo materiál viazacieho pásu, pokiaľ takéto pripojenie nie je výslovne povolené v pokynoch výrobcu.
6. Na akýkoľvek predmet, ktorého veľkosť ani tvar neumožňuje úplné zatvorenie a uzamknutie konektora alebo ktorý by mohol spôsobiť vysúvanie konektora.
7. Spôsobom, ktorý neumožňuje správne zarovnanie spojovacieho článku, keď je pod zaťažením.



3.0 Inštalácia

3.1 Opis: Inštalácia žeriavového systému môže predstavovať zdĺhavý postup s viacerými krokmi. Efektívne plánovanie a informovanosť o pracovnom priestore a vybavení sú veľmi užitočné pri zabezpečovaní čo najplynulejšieho priebehu tohto procesu.

3.2 Projektovanie: Systém ochrany proti pádu si naprojektujte pred začatím prác. Zohľadnite všetky faktory, ktoré môžu ovplyvniť vašu bezpečnosť pred pádom, počas pádu i po ňom. Zvážte všetky požiadavky a obmedzenia uvedené v tomto návode.

1. **Ostré hrany:** Nepracujte na miestach, kde súčasti systému môžu prísť do kontaktu s nechránenými ostrými hranami a drsnými povrchmi alebo sa o ne odierať. Všetky ostré hrany a drsné povrchy odporúčame pokryť ochranným materiálom.
2. **Kompatibilita:** Pri inštalácii systému je dôležité, aby ste použili kompatibilné komponenty. Každý model produktu je kompatibilný na použitie so špecifickým súborom modelov alebo dizajnov produktov.

K základni žeriava tiež možno pridať akékoľvek predĺženia stožiaru žeriava, ktoré sú kompatibilné s uvedenými žeriavmi.

Modely kompatibilné so žeriavom	Návod na použitie žeriava
8000107	5908417
8000108	5908417
8000130	5908364
8000131	5908364

3.3 Inštalácia základne žeriava: Nainštalujte základňu žeriava podľa pokynov uvedených pre svoj model produktu.

Povrch konštrukcie ukotvenia by mal byť pred inštaláciou základne žeriavu očistený od akýchkoľvek nečistôt.

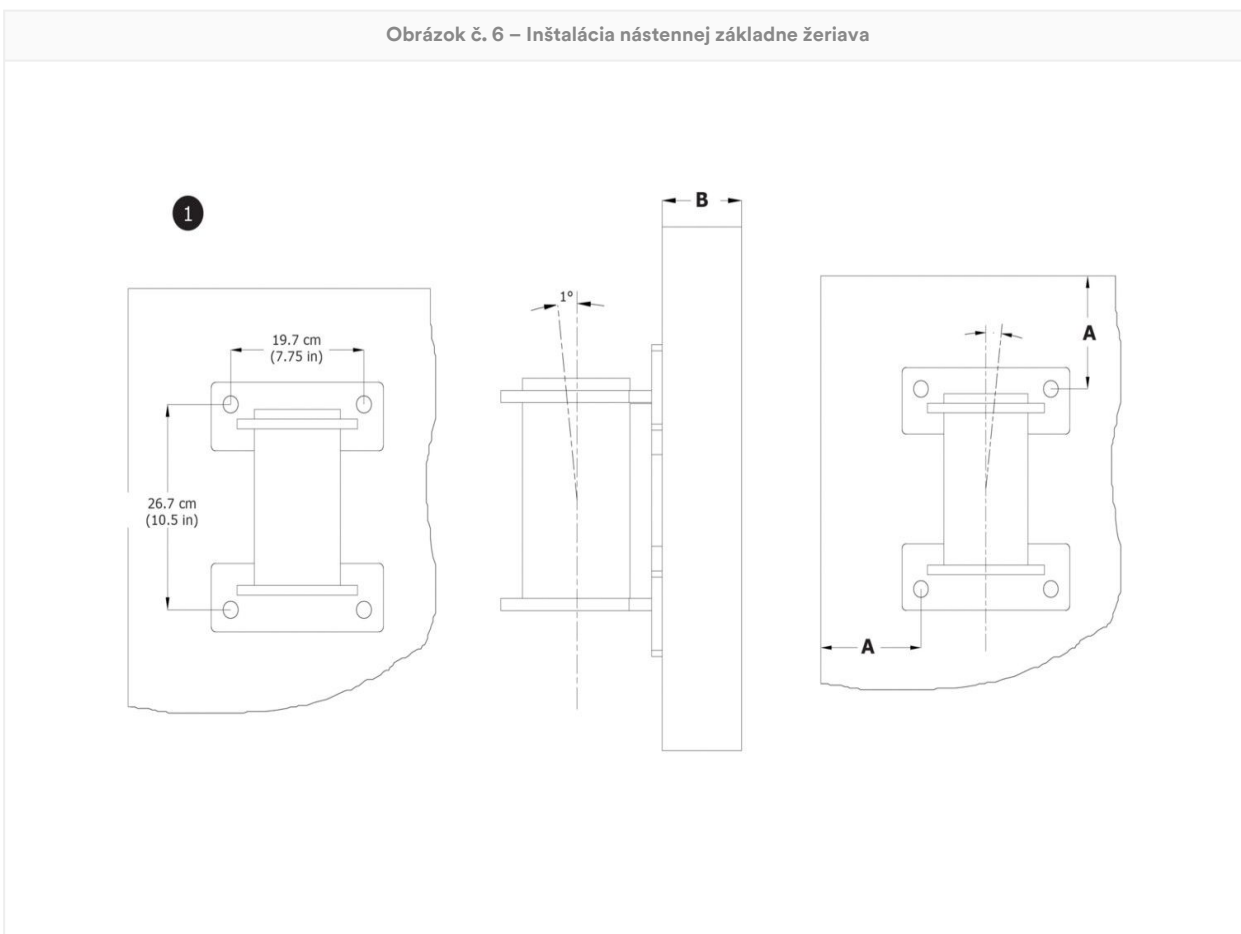
A. Nástenná základňa žeriava: Základňa žeriava sa musí pred použitím pripraviť.

1. **Pripravte miesto.** Vyberte vhodný montážny povrch na inštaláciu základne žeriavu a potom určte miesto, na ktorom by mala byť základňa nainštalovaná. Musí byť dostatočný odstup od okraja (A) a hrúbka materiálu (B) na podporu požiadaviek na pevnosť pre vašu konštrukciu a systém. Označte a potom vyvrtajte všetky montážne otvory na priemer a hĺbku odporúčanú výrobcou spojovacieho prvku.

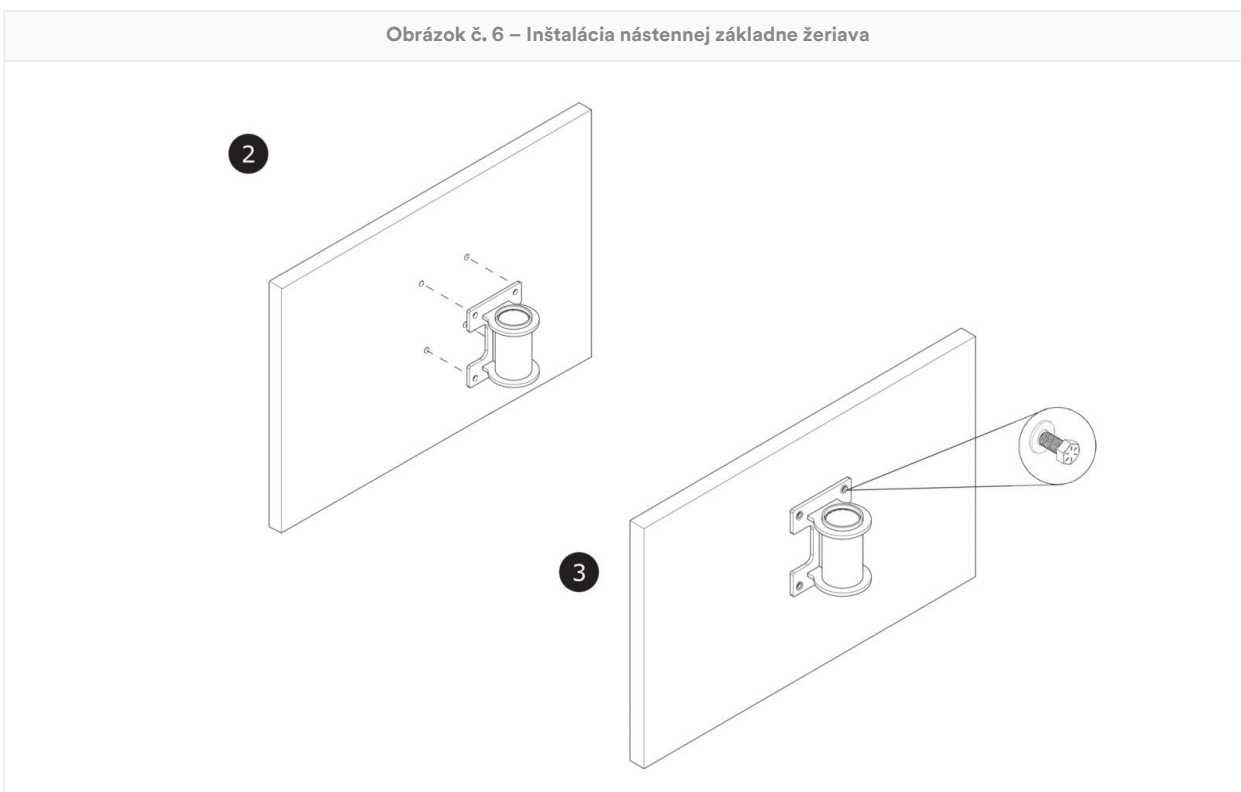
Základňa žeriava musí byť inštalovaná na rovnom zvislom povrchu.

2. **Umiestnite základňu žeriava.** Zarovnajzte otvory v montážnej doske s vyvrtanými otvormi. Základňa žeriava musí byť umiestnená v rozmedzí plus-mínus 1 stupeň od vertikály.
3. **Zaistite základňu žeriava.** Zaistite základňu žeriava pomocou vybraných spojovacích prvkov, ako je uvedené v pokynoch výrobcu spojovacieho prvku.

Obrázok č. 6 – Inštalácia nástennej základne žeriava



Obrázok č. 6 – Inštalácia nástennej základne žeriava



3.4 Zabezpečenie žeriava: Po inštalácii základne žeriava môže používateľ pripevniť rameno alebo stožiar k základni. Žeriav by mal byť pripevnený k montážnemu stĺpiku alebo vo vnútri rukáva základne žeriava, podľa toho, čo platí pre základňu žeriavu, ktorú používate. Skontrolujte, či je žeriav zabezpečený, a či sú správne použité všetky vodiace lišty alebo poistné kolíky. Viac informácií nájdete v pokynoch výrobcu pre váš žeriav alebo systém žeriava.

4.0 Použitie

4.1 Pred každým použitím: Overte si, či váš pracovný priestor a systém ochrany proti pádu spĺňajú všetky kritériá stanovené v tomto návode. Overte si, či je zavedený formálny záchranný plán. Skontrolujte produkt podľa kontrolných bodov „Používateľ“ stanovených v časti „Záznam o kontrole a údržbe“. Ak kontrola odhalí nebezpečný alebo chybný stav alebo keby sa vyskytli pochybnosti o stave z hľadiska bezpečného použitia, okamžite vyradte produkt z prevádzky. Produkt jasne označte textom „NEPOUŽÍVAŤ“. Viac informácií nájdete v časti 5.

4.2 Ukotvenie: Okrem nosnosti produktu musí každý systém ochrany proti pádu zohľadňovať aj pevnosť akýchkoľvek nosných konštrukcií alebo komponentov.

1. **Konštrukcia ukotvenia:** Konštrukcia ukotvenia zabezpečujúca tento produkt, musí byť schopná odolať požadovanému zaťaženiu, ktoré umožňuje systém ochrany pred pádom toho produktu.

Momentové zaťaženie	15,41 kN*m (136 400 in-lb)
---------------------	----------------------------

2. **Kotviace body pripojenia:** Kotviace body pripojenia používané spolu s produktom musia byť schopné odolať akémukoľvek zaťaženiu vyvíjanému produktom.
3. **Spojovacie prvky:** Všetky spájacie prvky zaisťujúce produkt na mieste musia byť dostatočne pevné, aby bol produkt počas používania zaistený. Ďalšie informácie nájdete v pokynoch od výrobcu spojovacích prvkov.

Sila vytiahnutia spojovacieho prvku	35,59 kN (8 000 lbf)
Pevnosť v šmyku na spojovací prvok	22,2 kN (5 000 lbf)

4.3 Po páde: Ak toto zariadenie zachytí pád alebo je vystavené nárazovému zaťaženiu, okamžite ho vyradte z prevádzky. Jasne ho označte textom „NEPOUŽÍVAŤ“. Viac informácií nájdete v časti 5.

4.4 Manipulácia s materiálom: Spoločnosť 3M povoľuje použitie tohto produktu na manipuláciu s materiálom podľa pokynov. Miestne predpisy alebo štandardy môžu mať ďalšie obmedzenia alebo môžu regulovať používanie vybavenia na ochranu proti pádu na manipuláciu s materiálom.

⚠ CAUTION:

Aby sa mohol tento produkt používať na manipuláciu s materiálom, musí sa používať s kompatibilným žeriavom. Nikdy nepripevňujte náklad materiálu priamo na základňu žeriava.

Pred zaistením bremena skontrolujte, či je pripravený na prepravu.

Nikdy nepripevňujte tento produkt k materiálom a používateľom súčasne.

Produkt používaný na manipuláciu s materiálom musí byť pred ďalším použitím skontrolovaný kompetentnou osobou. Miestne predpisy alebo štandardy môžu obmedzovať prepínanie medzi používaním personálu a manipuláciou s materiálom.

1. **Zaistite žeriav.** Pripevnite žeriav k základni žeriava tak, ako je uvedené v návode na použitie.
2. **Zaistite spojovací podsystem k žeriavu.** Viac informácií nájdete v pokynoch výrobcu pre váš žeriav.
3. **Pripevnite záchranné lano k bremenu.** Podľa potreby znížte alebo zvýšte bremeno.

Kapacita manipulácie s materiálom

340 kg (750 lb)

5.0 Kontrola

Po vyradení vybavenia z prevádzky ho nemožno vrátiť do prevádzky, kým kompetentná osoba písomne nepotvrdí, že je to prijateľné.

5.1 Interval kontroly: Používateľ musí produkt kontrolovať pred každým použitím a aspoň raz za rok ho musí podľa uvedeného intervalu skontrolovať kompetentná osoba iná než používateľ. V prípade častejšieho používania vybavenia

a jeho používania v náročnejších podmienkach môžu byť potrebné častejšie kontroly kompetentnou osobou. Interval týchto kontrol musí určiť kompetentná osoba podľa konkrétnych podmienok pracoviska.

Príslušná norma alebo oblasť	Požadovaná frekvencia kontrol kompetentných osôb
ANSI a OSHA	Raz ročne
Štandardy EN	Raz ročne
AS/NZS	Raz ročne

5.2 Postupy kontroly: Skontrolujte produkt podľa postupov uvedených v časti „Záznam o kontrole a údržbe“. Majiteľ tohto vybavenia musí viesť dokumentáciu o každej kontrole. Záznam o kontrole a údržbe odporúčame odložiť v blízkosti produktu alebo na inom mieste ľahko dostupnom pre jeho používateľov. Odporúča sa na produkte vždy vyznačiť termín ďalšej alebo poslednej kontroly.

5.3 Chyby: Ak produkt nie je možné vrátiť do prevádzky z dôvodu existujúcej chyby alebo nebezpečného stavu, produkt sa musí zlikvidovať alebo zasláť na opravu do spoločnosti 3M alebo servisného strediska autorizovaného spoločnosťou 3M.

5.4 Životnosť produktu: Funkčná životnosť produktu je určená pracovnými podmienkami a údržbou. Pokiaľ tento produkt splní kritériá kontroly, môže sa ďalej používať.

6.0 Údržba, skladovanie a oprava

Vybavenie, ktoré si vyžaduje údržbu alebo je naplánované na údržbu, je potrebné označiť nápisom „NEPOUŽÍVAŤ“. Tieto štítky sa z vybavenia nesmú odstrániť, kým sa nevykoná údržba.

6.1 Čistenie: Pravidelne čistite kovové komponenty produktu teplou vodou a slabým mydlovým roztokom. Opláchnite produkt čistou vodou a nechajte ho uschnúť na vzduchu. Viac informácií nájdete v technickej príručke na našej webovej stránke: <https://www.3M.com/FallProtection/Mechanical-Device-Cleaning>

6.2 Oprava: Opravy tohto zariadenia môže vykonávať len spoločnosť 3M alebo strany, ktoré majú písomné oprávnenie spoločnosti 3M na vykonávanie opráv tohto zariadenia.

6.3 Skladovanie a doprava: Výrobok skladujte a prepravujte v chladnom, suchom a čistom prostredí mimo priameho slnečného svetla. Vyhýbajte sa priestorom s možnosťou výskytu chemických výparov. Po dlhom skladovaní dôkladne skontrolujte všetky komponenty.

Základne, ktoré sú natrvalo nainštalované, by nemali opustiť miesto výkonu práce. Ostatné súčasti možno z týchto základní odstrániť pri skladovaní alebo preprave, základňa však bude musieť zostať na mieste.

⚠WARNING:

Náhle prechody medzi teplým a extrémne chladným prostredím môžu ovplyvniť výkon vášho zariadenia. Mechanické zariadenia (ako sú samonavíjacie zariadenia, navíjaky, vyťahovacie zariadenia, horolezecké rukávy atď.) by mali byť prispôsobené na použitie v extrémnom chlade alebo teple skladovaním pri teplotách podobných pracovnému prostrediu. Pred použitím vždy vykonajte kontrolu vášho zariadenia pred jeho použitím v pracovnom prostredí.

7.0 Štítky a označenia

7.1 Zhrnutie: Na obrázku „Štítky produktu“ sú znázornené štítky a označenia nachádzajúce sa na produkte. Ďalej nájdete súhrn informácií uvedených na jednotlivých štítkoch a označeniach.

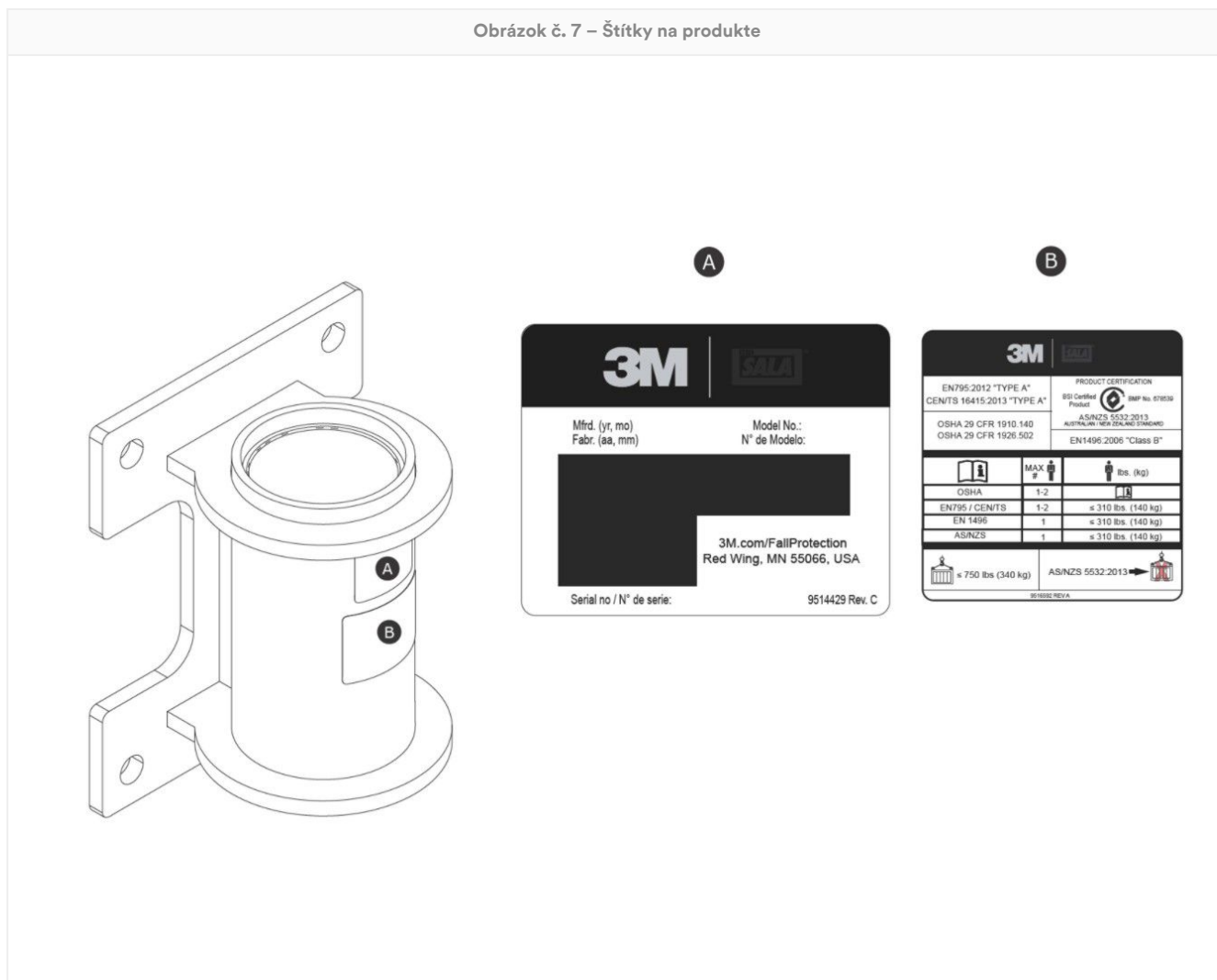
NOTICE:

Obrázky štítkov sú len ilustračné. Konkrétne údaje nájdete na štítkoch reálnych produktov.

Chýbajúce alebo poškodené štítky sa musia nahradiť. Všetky štítky musia byť dokonale čitateľné.

A	Štítko so špecifikáciami produktu
B	Identifikačný štítko

Obrázok č. 7 – Štítky na produkte



Slovník

Definície: V tomto návode sa používajú nasledujúce pojmy a definície:

Úplný zoznam pojmov a definícií nájdete na našej webovej stránke: www.3m.com/FallProtection/ifu-glossary

- **Autorizovaná osoba:** Osoba poverená zamestnávateľom vykonávať úlohy na mieste, na ktorom bude táto osoba vystavená nebezpečenstvu pádu.

- **Kompetentná osoba:** Osoba spôsobilá identifikovať existujúce a predvídateľné nebezpečenstvá pracovného prostredia alebo pracovné podmienky, ktoré sú nehygienické, nebezpečné alebo škodlivé pre zamestnancov, a ktorá má oprávnenie uskutočňovať okamžité nápravné opatrenia na ich odstránenie.
- **Systém na zachytenie pádu:** Súprava vybavenia na ochranu proti pádu nakonfigurovaná tak, aby chránila používateľa v prípade pádu.
- **Kvalifikovaná osoba:** Osoba s uznávaným titulom, certifikátom alebo profesionálnym postavením alebo osoba, ktorá na základe rozsiahlych vedomostí, odbornej prípravy a praxe dostatočne preukázala schopnosť riešiť problémy týkajúce sa systémov ochrany proti pádu a záchranných systémov v miere požadovanej platnými vnútroštátnymi, regionálnymi a miestnymi predpismi.
- **Záchranný systém:** Súprava vybavenia na ochranu proti pádu nakonfigurovaná na premiestnenie osoby z nebezpečného miesta na bezpečné. Nie je prípustný žiadny voľný pád.
- **Záchranár:** Osoba, ktorá pomocou záchranného systému vykonáva asistovanú záchranu.
- **Systém na predchádzanie pádu:** Súprava vybavenia na ochranu proti pádu nakonfigurovaná tak, aby zabránila riziku pádu používateľa. Nie je prípustný žiadny voľný pád.
- **Používateľ:** Osoba, ktorá vykonáva činnosti, pri ktorých je chránená systémom ochrany proti pádu.
- **Systém pracovného polohovania:** Súprava vybavenia na ochranu proti pádu nakonfigurovaná tak, aby podporovala používateľa v pracovnej polohe.

Záznam o kontrole a údržbe

Pri každej kontrole by sa mala použiť kópia tejto tabuľky. Zaznamenajte informácie nižšie.

Výrobca: 3M Fall Protection

Číslo modelu (výrobné číslo):

Dátum nákupu:

Dátum prvého použitia:

Tento výrobok musí používateľ pred každým použitím skontrolovať. Okrem toho musí toto zariadenie kontrolovať iná kompetentná osoba ako používateľ v intervaloch uvedených v časti 5.

Komponent	Postup kontroly	Výsledok kontroly (úspešný alebo neúspešný)
Produkt (obrázok č. 2)	Skontrolujte základňu žeriava, či sa na ňom neprejavujú známky poškodenia, deformácie, korózie a hrdze. Hľadajte praskliny, ohyby, priehlbiny alebo opotrebovanie, ktoré by mohli ovplyvniť pevnosť a činnosť systému. Pri kontrole korózie by ste mali skontrolovať aj kotviace zariadenie, jeho upevnenie alebo spájacie prvky a konštrukciu, ku ktorej je kotviace zariadenie pripovené.	
	Skontrolujte všetky upevňovacie prvky, či nie sú poškodené alebo skorodované. Utiahnite ich podľa potreby.	
	Skontrolujte všetky pohyblivé časti, či nie sú poškrábané, prasknuté, zlomené alebo opotrebované, čo by mohlo spôsobiť poruchu počas prevádzky.	
Štítky	Všetky štítky sú prítomné a dokonale čitateľné.	
Vybavenie na ochranu proti pádu	Dodatočné zariadenie na ochranu proti pádu, ktoré sa používa s produktom, je nainštalované a skontrolované podľa pokynov výrobcu. Skontrolujte, či je hodnotenie pevnosti pre každý z vašich produktov kompatibilné a dostatočné na určené použitie.	

Zhrnutie kontroly produktu

Ak výrobok nevyhoví niektorému postupu kontroly, potom výrobok nevyhoví ani celkovej kontrole. Ak výrobok nevyhoví kontrole, okamžite ho vyradte z prevádzky. Produkt jasne označte textom „NEPOUŽÍVAŤ“. Viac informácií nájdete v časti 5.

Typ kontroly:

Používateľ

Kompetentná osoba

Celkový výsledok kontroly:

Kontroloval/-a:

Dátum kontroly:

Podpis:

Termín ďalšej kontroly:


Doplňujúce poznámky:

Certifikácie

Výrobok vyhovuje vnútroštátnym a regionálnym normám, ktoré sú uvedené na prednom obale tohto návodu. Certifikácia a zhoda môžu byť obmedzené na jednotlivé modely výrobkov alebo použitia.

Ďalšie informácie o požiadavkách na certifikáciu alebo zhodu nájdete v príslušných štandardoch a predpisoch uvedených pri vašom produkte (napr. kódy ochrany pred pádom ANSI/ASSP Z359).

Používatelia podľa štandardov AS/NZS 1891.4 by si mali prečítať požiadavky na výber, používanie, údržbu a školenie AS/NZS 1891.4.

Produkt s certifikáciou BSI AS/NZS 5532:2013 Licencia: BMP 678539	BSI – Head Office Suite 1, Level 1, 54 Waterloo Road Macquarie Park, NSW, 2113 Austrália	
---	--	---

Všeobecná záruka na produkt a obmedzenie zodpovednosti a nápravných opatrení

Záruka: Nasledujúca záruka nahrádza všetky výslovné alebo implikované záruky a podmienky vrátane implikovaných záruk a podmienok predajnosti alebo vhodnosti na konkrétny účel.

Pokiaľ miestne právne predpisy neurčujú inak, na ochranné prostriedky proti pádu od spoločnosti 3M sa vzťahuje záruka na chyby spracovania a materiálov z výroby po dobu jedného roka od dátumu montáže alebo prvého použitia pôvodným vlastníkom.

Obmedzené nápravné opatrenia: Na základe písomného oznámenia odoslaného spoločnosti 3M zaistí spoločnosť 3M opravu alebo výmenu akéhokoľvek produktu, ktorý uzná spoločnosť 3M za chybný z výroby v súvislosti so spracovaním alebo materiálmi. Spoločnosť 3M si vyhradzuje právo požadovať vrátenie produktu do závodu na posúdenie nárokov na záručné krytie. Táto záruka nepokrýva poškodenie produktov spôsobené opotrebovaním, nesprávnym alebo nevhodným používaním, prevozom, nevykonaním údržby produktu či iné poškodenie mimo dosahu kontroly spoločnosti 3M. Spoločnosť 3M bude výhradným posudzovateľom stavu produktu a možností záruky.

Táto záruka sa vzťahuje iba na pôvodného nákupcu a ide o jedinú záruku, ktorú možno uplatniť na ochranné prostriedky proti pádu od spoločnosti 3M. Požiadajte o pomoc oblastné oddelenie služieb zákazníkom spoločnosti 3M.

Obmedzenie zodpovednosti: Spoločnosť 3M nenesie v rozsahu povolenom miestnymi právnymi predpismi zodpovednosť za žiadne nepriame, náhodné, mimoriadne ani následné škody okrem iného vrátane ušlých ziskov akokoľvek súvisiace s produktmi, a to bez ohľadu na uplatnenú právnu teóriu.

3M™ DBI-SALA® podnožje dvizne roke za stensko montažo

Navodila za uporabo

Številka obrazca: 5903663, revizija: F

Ta izdelek je certificiran ali skladen z naslednjimi standardi in predpisi. Certificiranje in skladnost sta lahko omejena na posamezne modele izdelkov ali uporabe. Če želite več informacij, glejte razdelek *Potrdila*.

- OSHA 29 CFR 1910.140, 1926.502
- EN 795:2012 (tip A)
- CEN/TS 16415:2013 (tip A)
- EN 1496:2006 (klavzula 4.6)
- AS/NZS 5532:2013

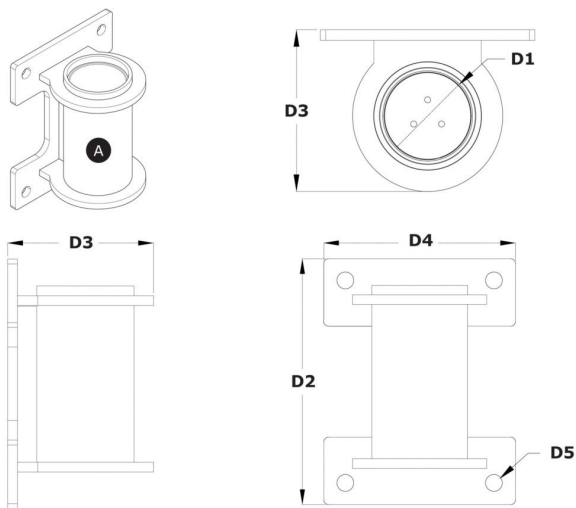
⚠WARNING:

Za prepoznavanje kod izdelkov glejte tabele s specifikacijami izdelka. Za več informacij o izdelku glejte razdelek »Pregled izdelka«.

Nekateri sestavni deli morda niso certificirani posamično in lahko zahtevajo montažo za izpolnjevanje zahtev za certificiranje.

Slika 1 – Pregled izdelka

Model	Vrsta	D1	D2	D3	D4	D5	Teža izdelka
8000101	A	10,2 cm (4,0 palca)	32,4 cm (12,75 palca)	19,0 cm (7,5 palca)	25,4 cm (10,0 palca)	22,2 mm (0,88 palca)	15,7 kg (34,0 funta)
8000102	A	10,2 cm (4,0 palca)	32,4 cm (12,75 palca)	19,0 cm (7,5 palca)	25,4 cm (10,0 palca)	22,2 mm (0,88 palca)	15,7 kg (34,0 funta)



Varnostne informacije

Preden uporabite ta izdelek, morate prebrati, razumeti in upoštevati vse varnostne informacije, ki jih vsebuje ta priročnik. NEUPOŠTEVANJE LAHKO POVZROČI HUDE TELESNE POŠKODBE ALI SMRT.

Navodila morate posredovati uporabniku opreme. Te informacije vedno hranite na priročnem mestu.

Varnostne informacije

Obrazec: 5908277, revizija: B

Predvidena uporaba

Ta izdelek se uporablja kot del celovitega sistema za zaščito pred padcem.

Družba 3M ne potrjuje uporabe za noben drug namen, kar med drugim vključuje neodobreno ravnanje z materialom, rekreativne ali športne dejavnosti oziroma druge dejavnosti, ki niso opisane v teh navodilih, sicer lahko pride do hudih telesnih poškodb ali smrti.

Ta izdelek sme uporabljati samo usposobljen uporabnik pri izvajanju del na delovnem mestu.

Opozorilo

Ta izdelek se uporablja kot del celovitega sistema za zaščito pred padcem.

Vsi uporabniki morajo biti podrobno seznanjeni in usposobljeni za varno namestitvev in delovanje celotnega sistema za zaščito pred padcem. Nepravilna uporaba tega izdelka lahko povzroči hude telesne poškodbe ali smrt. Za pravilno izbiro, delovanje, namestitvev, vzdrževanje in servisiranje glejte vsa navodila za uporabo in priporočila proizvajalca. Za več informacij se posvetujte z nadrejenim ali se obrnite na tehnične storitve družbe 3M.

- **Za zmanjšanje tveganj, ki so povezana z uporabo sistema za vhod v utesnjene prostore in reševanje iz utesnjenih prostorov in lahko povzročijo hude telesne poškodbe ali smrt, če se jih ne prepreči:**
 - Izdelek pred vsako uporabo in po vsakem padcu preglejte v skladu s postopki, ki so navedeni v teh navodilih.
 - Če med pregledom odkrijete nevarno ali nedelujoče stanje, izdelek takoj odstranite iz uporabe in na vidno mesto namestite oznako »NE UPORABLJAJ«. Uničite ali popravite izdelek v skladu s temi navodili.
 - Vsako napravo, ki je bila podvržena sili ob zadrževanju padca ali udarni sili, morate nemudoma odstraniti iz uporabe. Uničite ali popravite izdelek v skladu s temi navodili.
 - Prepričajte se, da so sistemi za zaščito pred padcem, ki so sestavljeni iz komponent različnih proizvajalcev, združljivi in izpolnjujejo zahteve vseh pravilnikov, standardov ali zahtev v zvezi z zaščito pred padcem. Pred uporabo teh sistemov se vedno posvetujte s pristojno osebo.
 - Izdelek morate namestiti izključno na način, ki je opisan v njegovih navodilih za uporabo. Namestitve in uporabo zunaj obsega teh navodil za uporabo mora pisno odobriti družba 3M.
 - Pod sisteme za zaščito pred padcem povežite le v označene sidrne priključne točke na izdelku.
 - Pred namestitvijo se prepričajte, da načini namestitve in izdelek ne motijo električnih vodov, plinovodov ali drugih kritičnih materialov oziroma sistemov.
 - Zagotovite, da je izdelek ustrezno konfiguriran in nameščen za varno uporabo, kot je opisana v teh navodilih.
 - Reševalne vrvi ne zvijajte, vežite, vozajte in ne dovolite ohlapnosti v njej.
 - Ne presežite števila dovoljenih uporabnikov, ki je navedeno v teh navodilih.
 - Bodite previdni pri nameščanju, uporabi ali premikanju izdelkov, saj vas gibljivi deli lahko stisnejo.
 - Upoštevati je treba postopke zaklepanja/označevanja, ko je to ustrezno.
 - Ne povežite se na sistem med prevozom ali namestitvijo.
- **Če želite zmanjšati tveganja, ki so povezana z delom na višini in lahko povzročijo hude telesne poškodbe ali smrt, če jih ne preprečite, morate storiti naslednje:**
 - Vaše zdravje in fizično stanje vam morata omogočati varno delo na višini, da boste lahko zdržali vse sile, ki so povezane z dogodkom zaustavitve padca. Če imate dvome glede svoje pripravljenosti na uporabo te opreme, se posvetujte s svojim zdravnikom.
 - Nikoli ne smete preseči dopustne nosilnosti opreme za zaščito pred padcem.
 - Nikoli ne smete preseči maksimalne razdalje prostega padca, ki je določena za premo za zaščito pred padcem.
 - Če oprema za zaščito pred padcem ne opravi strokovnega pregleda ali pa menite, da ne ustreza zahtevam, je ne smete uporabljati. Za vsa vprašanja se obrnite na službo za stranke družbe 3M.
 - Kombinacije nekaterih podsistemov in sestavnih delov lahko ovirajo delovanje opreme. Uporabljajte samo združljive priključke. Pred uporabo opreme v kombinaciji s sestavnimi deli ali podsistemi, ki niso opisani v teh navodilih, se posvetujte s službo za stranke družbe 3M.
 - Upoštevajte dodatne varnostne ukrepe, ko delate v bližini strojev za zemeljska dela, visokonapetostnih električnih vodnikov, visokih temperatur, nevarnih kemikalij, eksplozivnih ali strupenih plinov, ostrih robov, abrazivnih površin ali gradbenih materialov pri delu na višini, ki lahko padejo na vas ali na vašo opremo za zaščito pred padcem.
 - Poskrbite, da je vaša uporaba izdelka odobrena za nevarnosti, ki so prisotne v vašem delovnem okolju.
 - Pri delu na višini zagotovite dovolj praznega prostora na poti padca.
 - Opreme za zaščito pred padcem ne smete nikoli spreminjati ali predelovati. Popravila te opreme lahko izvaja samo družba 3M ali osebe s pisnim pooblastilom družbe 3M.
 - Pred uporabo opreme za zaščito pred padcem preverite, ali je izdelan pisni načrt reševanja pri morebitnem padcu, ki zagotavlja takojšnje reševanje v primeru padca.
 - Če pride do nesreče s padcem, nemudoma poiščite zdravniško pomoč za ponesrečenega delavca.
 - Za zaustavitev padca uporabljajte samo varovalno-pozicijske trakove za celo telo. Ne uporabljajte jermena, nameščenega samo okrog pasu.
 - Nevarnost padcev z nihanjem lahko zmanjšate tako, da delate neposredno pod sidrno točko.
 - Pri usposabljanju s tem izdelkom morate uporabljati sekundarni sistem za zaščito pred padcem. Delavci na usposabljanju ne smejo biti izpostavljeni nevarnosti neželenega padca.
 - Ko nameščate, uporabljate ali pregledujete izdelek, vedno nosite osebno varovalno opremo.
 - Nikoli ne smete delati pod visečim tovorom ali delavcem pri delu na višini.
 - Vedno ohranite 100-odstotni zateg.

Pregled izdelka

Vedno zagotovite, da uporabljate najnovejšo različico navodil za uporabo 3M. Za najnovejše uporabniške priročnike obiščite spletno mesto www.3m.com/userinstructions ali pa se obrnite na službo za pomoč strankam družbe 3M.

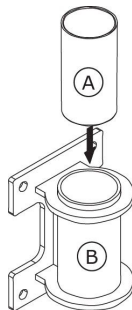
Pred uporabo opreme z ID-nalepke v Dnevnik za preglede in vzdrževanje na hrbtni strani tega priročnika prepisite identifikacijske podatke izdelka.

Slika 1 ponazarja razpoložljive modele izdelkov. Podnožja dvižne roke so del sistema dvižne roke, s katerimi se sistem pritrdi na tla. Dvižna roka je pritrjena na podnožje, hkrati pa deluje kot nastavljiva, premična sidrna točka za uporabnika. Za več informacij o uporabi sistema glejte navodila proizvajalca dvižne roke ali sistema dvižne roke.

Slika 2 prikazuje ključne sestavne dele razpoložljivih modelov izdelkov. Podnožje dvižne roke je sestavljeno iz dveh delov: vložka (A) in objemke dvižne roke (B). Vložek omogoča, da se pritrjena dvižna roka prosto vrti znotraj objemke. Objemka vključuje pritrjeno montažno ploščo za pritrditev podnožja dvižne roke na konstrukcijo.

Vsak model izdelka ima svoje specifikacije, ki so navedene na sliki 1. Za več informacij glejte preglednico s specifikacijami izdelka.

Slika 2 – Sestavni deli



Tabele s specifikacijami izdelka

Specifikacije sistema

Nosilnost uporabnika:	Za več informacij o zmogljivosti sistema glejte navodila proizvajalca za združljive modele dviznih rok.
Standardi:	Vsak model izdelka ima certifikat ali je skladen z ustreznimi standardi in predpisi, navedenimi na sliki 1. Če niso navedeni, potem veljajo vsi standardi in predpisi, navedeni na naslovnici.

Specifikacije sestavnih delov

Slika 2, referenca	Sestavni del	Materiali
A	Vložek	Polietilen visoke gostote
B	Objemka dvizne roke	8000101: Pocinkano ogljikovo jeklo
		8000102: Nerjavno jeklo

1.0 Uporaba izdelka

1.1 Namen: Sistemi dvizne roke delujejo kot mobilne konstrukcije sidrišča za sisteme zaščite pred padcem. Montaža in komponente se razlikujejo glede na sistem. Če želite več informacij o uporabi sistema, glejte »Pregled izdelka« in razdelke o namestitvi ali uporabi.

1.2 Nadzor: Uporabo te opreme mora nadzorovati pristojna oseba. Namestitev te opreme mora nadzorovati pristojna oseba. Usposobljena oseba mora potrditi, da namestitev izpolnjuje lokalne in zvezne/državne predpise. Tudi pritrdilne elemente in namestitev podnožja dvizne roke mora odobriti usposobljena oseba.

1.3 Nadaljnja prodaja in distribucija: Pri nadaljnji prodaji tega izdelka zunaj prvotne namembne države mora preprodajalec zagotoviti prevod teh navodil v jezik države, v kateri se bo izdelek uporabljal.

1.4 Usposabljanje: To opremo morajo namestiti in jo lahko uporabljajo samo osebe, ki so usposobljene za pravilno namestitev in uporabo opreme. Ta priročnik uporabljajte kot del programa za usposabljanje zaposlenih, kot je zahtevano z državnimi, regionalnimi ali krajevnimi standardi. Uporabniki in monterji te opreme so odgovorni za seznanitev s temi navodili in za ustrezno usposabljanje, ki jim zagotavlja pravilno skrb za to opremo in njeno pravilno uporabo; poleg tega so odgovorni za seznanitev z delovnimi značilnostmi, omejitvami uporabe in posledicami nepravilne uporabe te opreme.

1.5 Načrt reševanja: Pri uporabi te opreme in veznih podsistemov mora imeti delodajalec pripravljen pisni načrt reševanja in na voljo sredstva za njegovo izvedbo. Načrt reševanja mora predstaviti uporabnikom, pooblaščenim osebam in reševalcem. Priporoča se zagotavljanje usposobljene reševalne ekipe na kraju izvajanja del. Članom reševalne ekipe je treba zagotoviti opremo in tehnike, ki so potrebni za izvedbo uspešnega reševanja. Usposabljanje je treba redno izvajati za zagotavljanje strokovnosti in spretnosti reševalcev. Reševalci morajo imeti na voljo ta navodila. Med postopkom reševanja morate ves čas zagotoviti vizualni stik oziroma način komunikacije z osebo, ki jo rešujete.

2.0 Sistemske zahteve

2.1 Sidrišče: Konstrukcija sidrišča, s katerim je ta izdelek pritrjen, mora prenesti vse zahtevane obremenitve, kot jih dovoljuje sistem za zaščito pred padcem. Za več informacij glejte razdelek 4.

2.2 Nosilnost: Nosilnost uporabnika pri celotnem sistemu za zaščito pred padcem je omejena glede na sestavni del, ki ima najmanjšo nazivno nosilnost. Če ima na primer vaš vezni podsistem nosilnost, ki je manjša od nosilnosti kompleta pasov, morate upoštevati zahteve nosilnosti veznega podsistema. Za zahteve glede nosilnosti glejte navodila proizvajalca za vsak sestavni del sistema.

2.3 Okoljske nevarnosti: Pri uporabi te opreme na nevarnih območjih se lahko zahtevajo dodatni previdnostni ukrepi za preprečitev možnosti poškodb uporabnika ali opreme. Nevarnosti lahko med drugim vključujejo: visoke temperature, kemikalije, korozivna okolja, visokonapetostne električne naprave, pline, premikajoče se stroje, ostre robove ali predmete nad glavo, ki lahko padejo in se dotaknejo uporabnika ali opreme. Za nadaljnja pojasnila se obrnite na službo za pomoč strankam družbe 3M.

2.4 Nevarnosti pri uporabi reševalne vrvi: Zagotovite, da reševalna vrv ni izpostavljena nevarnim situacijam, ki med drugim vključujejo: zapletanje z uporabniki, drugimi delavci, stroji za zemeljska dela, drugimi predmeti v okolici ali izpostavljenost udarcem predmetov nad glavo, ki lahko padejo na reševalno vrv ali uporabnike.

2.5 Združljivost sestavnih delov: Oprema 3M je zasnovana za uporabo z drugo opremo 3M. Uporabo z opremo, ki je ne proizvaja družba 3M, mora odobriti pristojna oseba. Zaradi nadomeščanja z neodobreno opremo lahko pride do ogrožanja združljivosti opreme ter vpliva na varnost in zanesljivost sistema za zaščito pred padcem. Pred uporabo preberite in upoštevajte vsa navodila in opozorila za vso opremo.

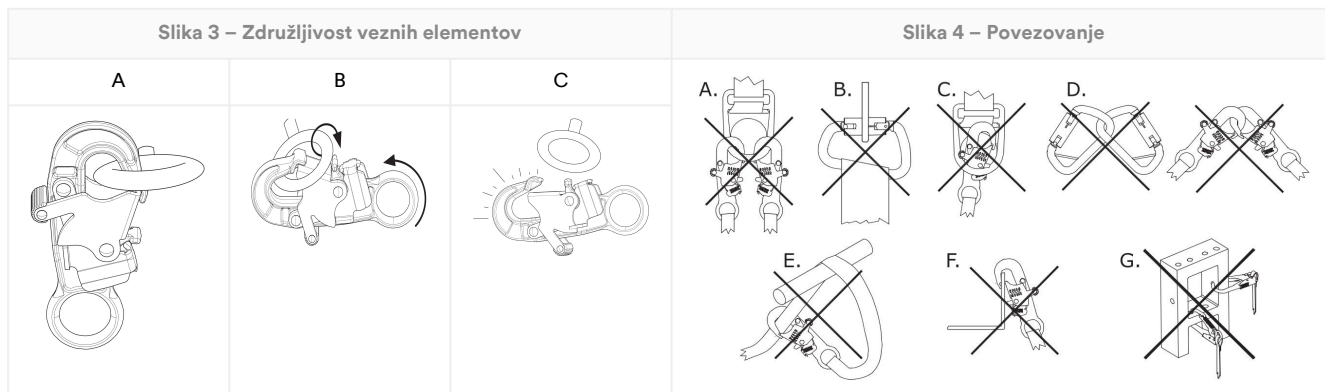
2.6 Združljivost veznih elementov: Vezni elementi so združljivi s priključnimi elementi, ko velikost in oblika izbranega sestavnega dela ne povzroči, da se priključek nenamerno odpre, ne glede na usmeritev. Vezni elementi morajo biti skladni z veljavnimi standardi. Vezni elementi morajo biti med uporabo popolnoma zaprti in zaklenjeni.

Vezni elementi 3M (zaskočni kavliji in karabini) so oblikovani za uporabo samo na način, ki je določen v ustreznih navodilih za uporabo. Zagotovite, da so vezni elementi združljivi s sestavnimi deli sistema, na katerega so priključeni. Ne uporabljajte nezdružljive opreme. Zaradi uporabe nezdružljive opreme se lahko vezni element nehote odklopi. Za referenco glejte sliko 9. Če so priključni elementi, na katere se priklopijo vezni elementi, premajhni ali nepravilne oblike, lahko pride do situacije, kjer priključni element pritiska na vezni element (A). Zaradi te sile bi se lahko zapiralo odprlo (B), pri čemer se vezni element odklopi s priključnega elementa (C).

2.7 Povezovanje: Vse povezave morajo biti združljive po velikosti, obliki in trdnosti. Glejte sliko 4 za primere neustreznih povezav. Zaskočnih kavljev in karabinov ne smete priključiti:

1. Na D-vponko, na katero je priključen drug vezni element.

2. Na način, ki bi posledično povzročil breme na zapiralu. Zaskočnih zapiral z odprtino velikega premera ne smete vpeti v D-vponke ali druge priključne elemente, če trdnost zapirala karabina ne znaša vsaj 16 kN (3600 lbf).
3. V neveljavne povezave, kjer velikost ali oblika veznega ali priključnega elementa nista združljivi, je brez vizualne potrditve videti, kot da so ustrezno priključeni.
4. Drugo na drugo.
5. Neposredno na tkane trakove, vrv z zaključno zanko ali vrv za blažitev udarcev, razen če navodila proizvajalca izrecno dovoljujejo tako povezavo.
6. Na kateri koli predmet, katerega velikost ali oblika ne dovoli popolnega zapiranja in zaklepanja veznega elementa ali pa bi lahko povzročil odpiranje veznega elementa.
7. Na način, ki ne omogoča veznemu elementu, da se ustrezno uravna, medtem ko je ta obremenjen.



3.0 Namestitev

3.1 Pregled: Namestitev sistema dvizne roke je lahko dolgotrajen postopek z več koraki. Z učinkovitim načrtovanjem pogojev na delovišču in opreme ter zavedanjem o tem lahko ta postopek poteka čim bolj nemoteno.

3.2 Načrtovanje: Sistem za zaščito pred padcem načrtujte pred pričetkom dela. Upoštevajte vse dejavnike, ki bi lahko vplivali na vašo varnost pred padcem, med njim in po njem. Upoštevajte vse zahteve in omejitve, opisane v teh navodilih.

1. **Ostri robovi:** Izogibajte se delu na območjih, kjer bi sestavni deli sistema lahko prišli v stik z nezaščitenimi ostrimi robovi ali abrazivnimi površinami ali bi se drgnili ob njih. Vse ostre robove in abrazivne površine morate pokriti z zaščitnim materialom.
2. **Združljivost:** Pri nameščanju sistema je pomembno, da uporabljate združljive sestavne dele. Vsak model izdelka je združljiv za uporabo z določenim naborom modelov ali zasnov izdelkov.

Na podnožje dvizne roke se lahko namestijo tudi podaljški stebra dvizne roke, ki so združljivi z navedenimi dviznimi rokami.

Združljivi modeli dviznih rok	Navodila za uporabo dvizne roke
8000107	5908417
8000108	5908417
8000130	5908364
8000131	5908364

3.3 Namestitev podnožja dvizne roke: Namestite podnožje dvizne roke v skladu z navodili za vaš model izdelka.

Površino konstrukcija sidrišča je treba pred namestitvijo podnožja dvizne roke očistiti vseh nečistoč.

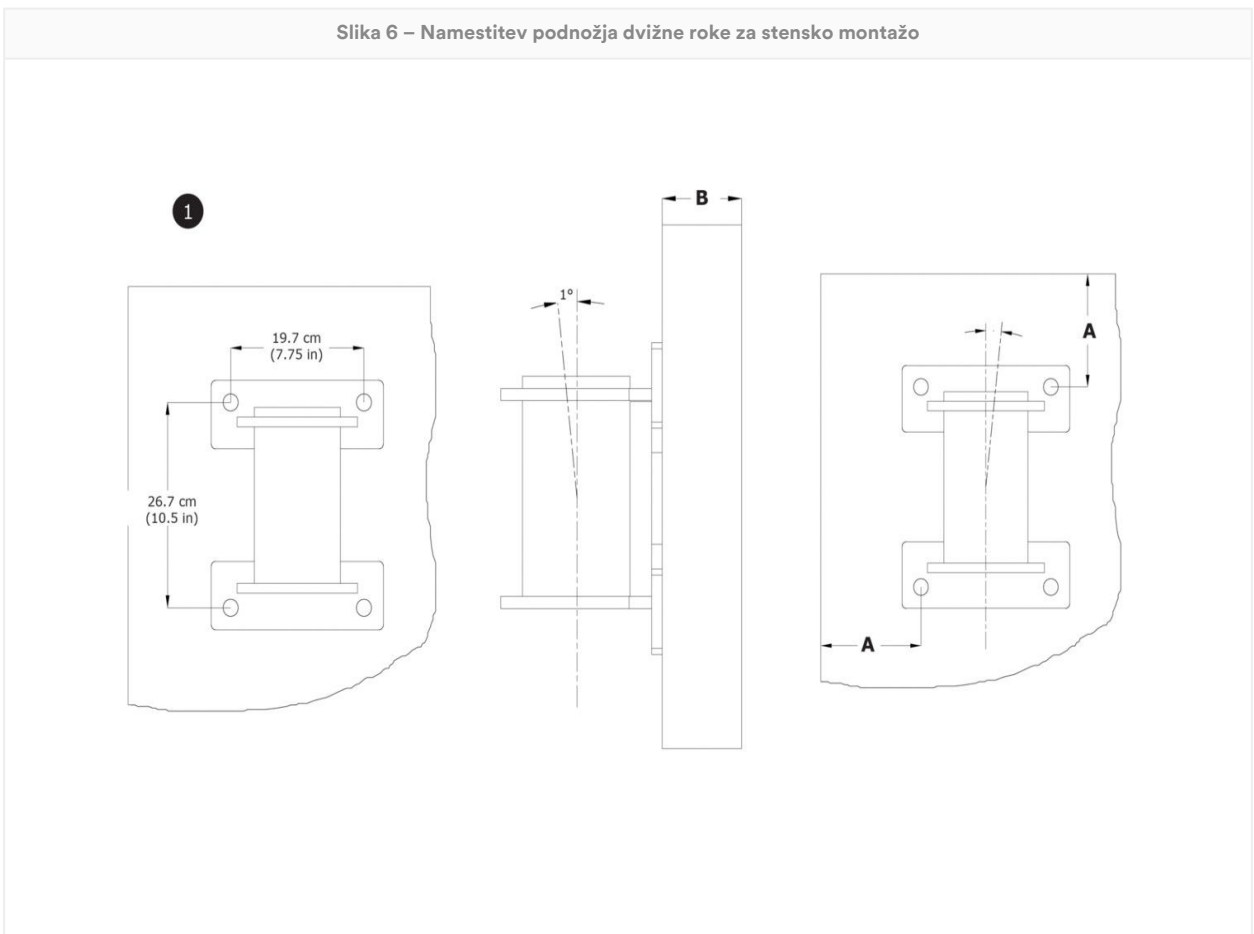
A. Podnožje dvizne roke za stensko montažo: Podnožje dvizne roke je treba pred uporabo pripraviti.

1. **Pripravite lokacijo.** Izberite ustrezno montažno površino za namestitev podnožja dvizne roke, nato pa določite, kje bo podnožje nameščeno. Zagotovite zadostno razdaljo od roba (A) in debelino materiala (B) za doseganje zahtevane trdnosti za strukturo in sistem. Montažne odprtine označite in izvrtajte skladno s premerom in globino, ki ju priporoča proizvajalec pritrdilnih elementov.

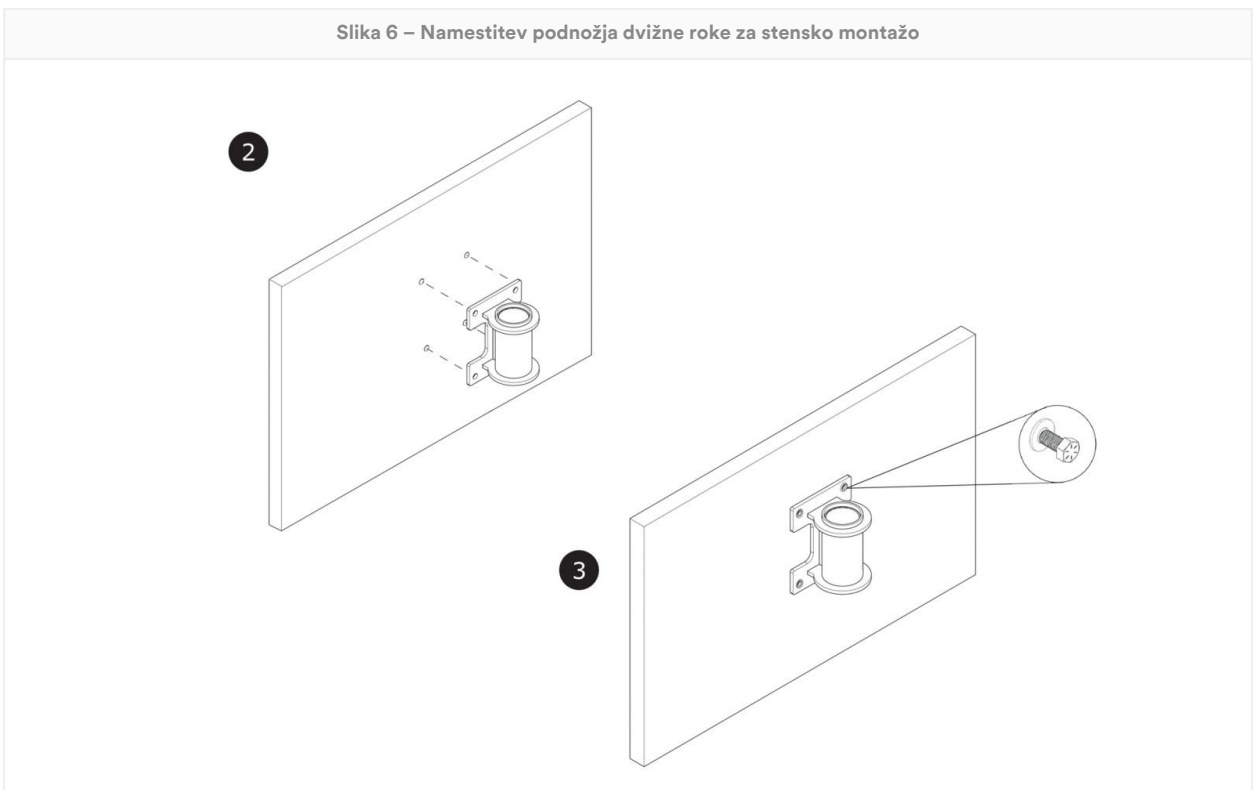
Podnožje dvizne roke je treba namestiti na ravno, navpično površino.

2. **Namestite podnožje dvizne roke.** Luknje v montažni plošči poravnajte z izvrtanimi luknjami. Podnožje dvizne roke mora biti nameščeno tako, da je odstopanje od navpičnice ± 1 stopinja.
3. **Pritrdite podnožje dvizne roke.** Podnožje dvizne roke pritrdite z izbranimi pritrdilnimi elementi, kot je navedeno v navodilih proizvajalca pritrdilnih elementov.

Slika 6 – Namestitev podnožja dvizne roke za stensko montažo



Slika 6 – Namestitev podnožja dvizne roke za stensko montažo



3.4 Pritrditev dvizne roke: Po namestitvi podnožja lahko uporabnik nanj pritrdi nosilno roko ali nosilni steber. Dvizna roka mora biti pritrjena na pritrdilni steber ali znotraj tulca podnožja dvizne roke, kot je ustrezno za podnožje dvizne roke, ki ga uporabljate. Preverite, ali je dvizna roka ustrezno pritrjena in da so vsa vodila ali zatiči pravilno nameščeni. Več informacij najdete v navodilih proizvajalca dvizne roke ali sistema dvizne roke.

4.0 Uporaba

4.1 Pred vsako uporabo: Preverite, ali vaše delovno območje in sistem za zaščito pred padcem izpolnjujeta vse zahteve, ki so določene v teh navodilih. Prepričajte se, da je izdelan uraden načrt reševanja. Izdelek pregledajte skladno z mesti uporabnikovega pregleda, določenimi v »Dnevniku pregledov in vzdrževanja«. Če s pregledom odkrijete nevarno ali okvarjeno stanje ali v primeru dvoma o stanju za varno uporabo, izdelek takoj odstranite iz uporabe. Na izdelek jasno namestite oznako »NE UPORABLJAJ«. Za več informacij glejte razdelek 5.

4.2 Sidrišče: Poleg nosilnosti izdelka je treba pri vsakem sistemu za zaščito pred padcem upoštevati trdnost vseh podpornih struktur ali delov.

1. **Konstrukcija sidrišča:** Konstrukcija sidrišča, s katerim je ta izdelek pritrjen, mora prenesti zahtevane obremenitve, kot jih dovoljuje sistem zaščite pred padcem tega izdelka.

Momentna obtežba	15,41 kN-m (136.400 palec-funtov)
------------------	-----------------------------------

2. **Sidrne priključne točke:** Sidrne priključne točke, ki se uporabljajo z izdelkom, morajo prenesti vse obremenitve, ki jih povzroči izdelek.
3. **Pritrdilni elementi:** Vsi pritrdilni elementi, ki izdelek pritrjujejo na mesto, morajo biti dovolj močni, da izdelek med uporabo ostane pritrjen. Za več informacij glejte navodila proizvajalca pritrdilnih elementov.

Izvlačna sila na pritrdilni element	35,59 kN (8000 funt-sila)
Strižna trdnost na pritrdilni element	22,2 kN (5000 funt-sila)

4.3 Po padcu: Če je ta oprema podvržena silam zaustavitve padca ali udarca, jo takoj odstranite iz uporabe. Na vidno mesto namestite oznako »NE UPORABLJAJ«. Za več informacij glejte razdelek 5.

4.4 Ravnanje z materiali: 3M dovoljuje uporabo tega izdelka za ravnanje z materiali v skladu z navodili. Lokalni predpisi ali standardi lahko vsebujejo dodatne omejitve ali urejajo uporabo opreme za zaščito pred padci pri ravnanju z materialom.

⚠CAUTION:

Ta izdelek je treba uporabljati z združljivo dvizžno roko, da se lahko uporablja za ravnanje z materiali. Bremena nikoli ne pritrdite neposredno na podnožje dvizžne roke.

Preden pritrdite tovor, preverite, ali je bil pripravljen za transport.

Tega izdelka nikoli hkrati ne pritrdite na materiale in uporabnike.

Izdelek, ki se uporablja za ravnanje z materiali, mora pred naslednjo uporabo pregledati pristojna oseba. Lokalni predpisi ali standardi lahko omejijo menjavo med uporabo oseba in ravnanjem z materialom.

1. **Pritrdite dvizžno roko.** Dvizžno roko pritrdite na podnožje dvizžne roke, kot je določeno v navodilih za uporabo dvizžne roke.
2. **Na dvizžno roko pritrdite povezovalni podsistem.** Več informacij najdete v navodilih proizvajalca podnožja dvizžne roke.
3. **Pritrdite reševalno vrv na breme.** Po potrebi obremenitev materiala povečajte ali zmanjšajte.

Nosilnost pri ravnanju z materiali

340 kg (750 funtov)

5.0 Pregled

Po odstranitvi opreme iz uporabe je ne smete vrniti v uporabo, dokler pristojna oseba pisno ne potrdi, da je to primerno.

5.1 Pogostost pregledov: Izdelek mora pred vsako uporabo pregledati uporabnik, poleg tega pa v spodaj navedenih časovnih presledkih tudi pristojna oseba, ki ni uporabnik. Če opremo uporabljate bolj pogosto in v zahtevnejših pogojih,

boste morda morali povečati pogostost pregledov s strani pristojne osebe. Pogostost teh pregledov mora določiti pristojna oseba v skladu s točno določenimi pogoji na delovišču.

Veljavni standard ali regija	Zahtevana pogostost inšpekcijskih pregledov pristojnih oseb
ANSI in OSHA	Enkrat letno
Standardi EN	Enkrat letno
AS/NZS	Enkrat letno

5.2 Postopki pregleda: Izdelek preglejte v skladu s postopki v »Dnevniku pregledov in vzdrževanja«. Lastnik te opreme mora vzdrževati dokumentacijo o vsakem pregledu. Dnevnik pregledov in vzdrževanja mora biti v bližini izdelka ali drugače enostavno dostopen uporabnikom. Priporočljivo je, da je ta izdelek označen z datumom naslednjega ali zadnjega pregleda.

5.3 Napake: Če izdelka ni mogoče vrniti v uporabo zaradi obstoječe napake ali nevarnega stanja, ga morate uničiti ali pa ga poslati družbi 3M oziroma pooblaščenemu servisnemu centru družbe 3M v popravilo.

5.4 Življenjska doba: Funkcionalna življenjska doba izdelka je odvisna od delovnih pogojev in vzdrževanja. Dokler izdelek med pregledom izpolnjuje merila za uporabnost, ga lahko uporabljate.

6.0 Vzdrževanje, skladiščenje in popravila

Na opremo, ki zahteva vzdrževanje ali je naročena na vzdrževanje, morate namestiti oznako »NE UPORABLJAJ«. Teh oznak ne smete odstraniti z opreme, dokler ne opravite vzdrževanja.

6.1 Čiščenje: Kovinske dele izdelka občasno očistite s toplo vodo in blago raztopino milnice. Izdelek sperite s čisto vodo in ga posušite na zraku. Za več informacij glejte tehnični bilten na naši spletni strani: <https://www.3M.com/FallProtection/Mechanical-Device-Cleaning>

6.2 Popravilo: Popravila te opreme lahko opravlja samo družba 3M ali oseba, ki je pridobila pisno pooblastilo družbe 3M.

6.3 Skladiščenje in prevoz: Izdelek hranite in prevažajte v hladnem, suhem in čistem okolju, stran od neposredne sončne svetlobe. Izogibajte se območjem, kjer obstaja verjetnost kemičnih hlapov. Po vsakem daljšem obdobju hrambe temeljito preglejte sestavne dele.

Podnožja, ki so trajno nameščena, ne smejo biti premaknjena z delovnega mesta. Drugi sestavni deli se lahko odstranijo s teh podnožij za shranjevanje ali prevoz, vendar mora podnožje ostati.

⚠WARNING:

Nenadni prehodi med toplimi in zelo hladnimi okolji lahko vplivajo na delovanje vaše opreme. Mehanske naprave (kot so samonavijalne naprave, vitli, naprave za izvlek, objemka za vzpenjanje itd.) je treba prilagoditi za uporabo v ekstremnem mrazu ali vročini tako, da jih shranite pri temperaturah, podobnih delovnemu okolju. Pred uporabo vedno opravite pregled opreme pred uporabo v njenem delovnem okolju.

7.0 Nalepke in oznake

7.1 Povzetek: Na sliki »Oznake izdelka« so prikazane nalepke in oznake, ki so na izdelku. Spodaj je povzetek informacij, ki navedene na vsaki nalepki in oznaki.

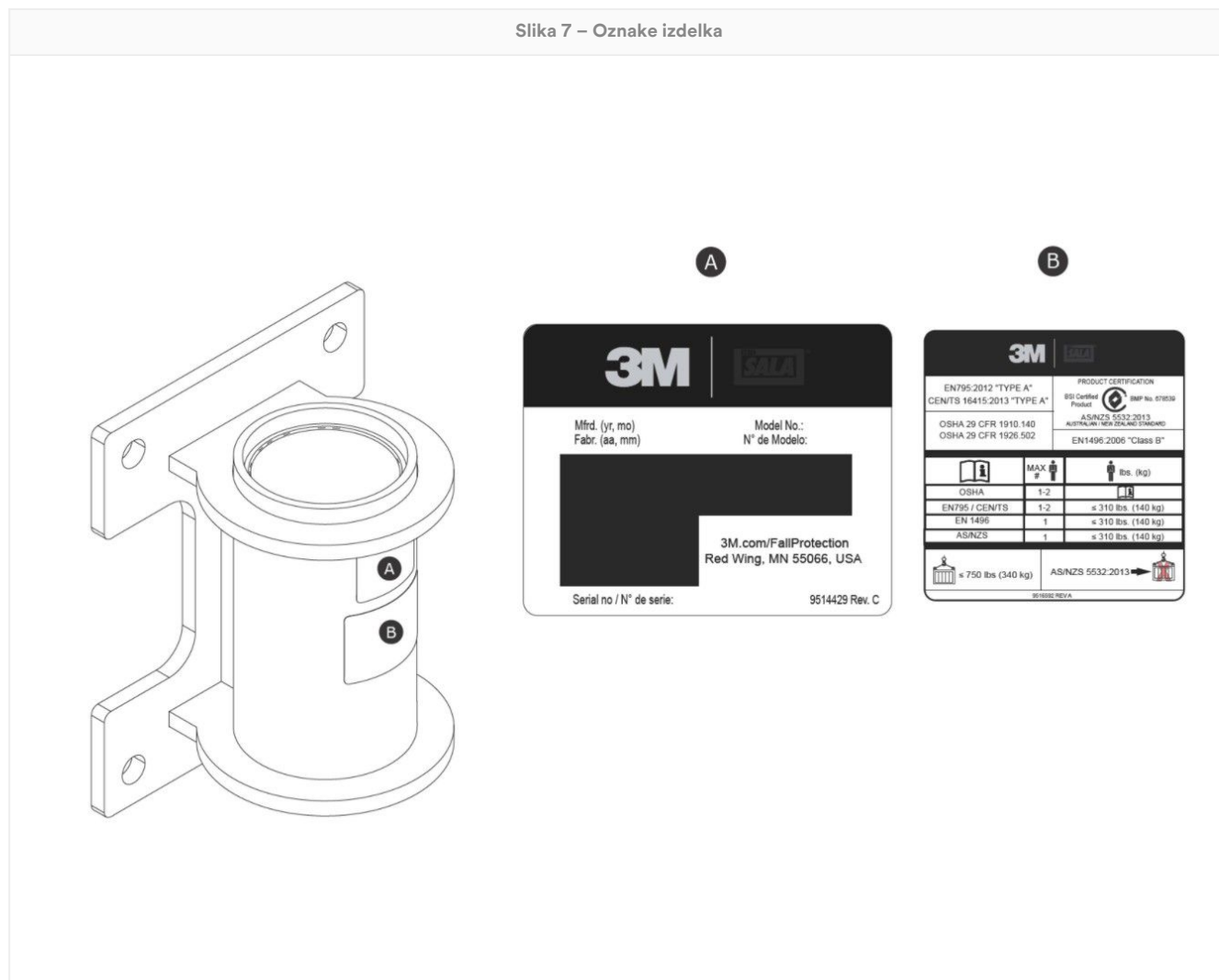
NOTICE:

Slike nalepk so predvidene za ponazoritvene namene. Za posebne informacije glejte nalepke na izdelku.

Manjkajoče ali poškodovane nalepke je treba zamenjati. Vse nalepke morajo biti povsem berljive.

A	Nalepka s specifikacijami izdelka
B	ID-oznaka

Slika 7 – Oznake izdelka



Glosar

Opredelitve: V teh navodilih so uporabljeni naslednji termini in opredelitve:

Za izčrpen seznam izrazov in opredelitev obiščite naše spletno mesto: www.3m.com/FallProtection/ifu-glossary

- **Pooblaščen oseba:** Oseba, ki jo odredi delodajalec za opravljanje dolžnosti na lokaciji, na kateri bo oseba izpostavljena nevarnosti padca.

- **Pristojna oseba:** Oseba, ki je sposobna prepoznati obstoječe in morebitne nevarnosti v okolju ali delovnih pogojih, ki so nehigienične, življenjsko nevarne ali tvegane za zaposlene, in ki je pooblaščen, da nemudoma ukrepa s korektivnimi ukrepi za odpravljanje prepoznanih nevarnosti.
- **Sistem za zaustavitev padca:** Komplet opreme za zaščito pred padcem za zaščito uporabnika v primeru padca.
- **Usposobljena oseba:** Oseba s priznano stopnjo izobrazbe ali poklicnim spričevalom oziroma oseba, ki je na podlagi obširnega znanja, usposabljanja ali izkušenj uspešno pokazala svojo sposobnost reševanja težav, povezanih s sistemi za zaščito pred padci in reševanje v obsegu, ki ga zahtevajo veljavne državne, regionalne ter krajevne uredbe in predpisi.
- **Reševalni sistem:** Zbirka opreme za zaščito pred padcem za prenos oseb z nevarnih lokacij na varne lokacije. Prosti padelec ni dovoljen.
- **Reševalec:** Oseba, ki uporablja reševalni sistem za izvajanje pomoči pri reševanju.
- **Sistem za zaustavitev:** Komplet opreme za zaščito pred padcem prepreči povzročitev nevarnosti padca oseb. Prosti padelec ni dovoljen.
- **Uporabnik:** Oseba, ki pri opravljanju dejavnosti uporablja sistem za zaščito pred padcem.
- **Sistem za postavljanje v delovni položaj:** Komplet opreme za zaščito pred padcem, ki je zasnovan, da podpre uporabnika v delovnem položaju.

Dnevnik pregledov in vzdrževanja

Kopijo te tabele je treba uporabiti pri vsakem inšpekcijskem pregledu. Informacije zabeležite spodaj.

Proizvajalec: 3M zaščita pred padcem

Številka modela (serijska številka):

Datum nakupa:

Datum prve uporabe:

Uporabnik mora pregledati ta izdelek pred vsako uporabo. Poleg tega mora pristojna oseba, ki ni uporabnik, pregledati to opremo v časovnih presledkih, določenih v razdelku 5.

Sestavni del	Postopek pregleda	Rezultat pregleda (»Prestal« ali »Ni prestal«)
Izdelek (slika 2)	Preglejte celotni sistem dvizhne roke in preverite, ali so prisotne poškodbe, deformacije, korozija in rja. Poiščite razpoke, udrtine, vdolbine ali obrabo, ki bi lahko vplivali na trdnost in delovanje sistema. Pri pregledovanju korozije morate pregledati tudi sidrno napravo, njene pritrdilne elemente ali pritrdilne elemente in konstrukcijo, na katero je pritrjena sidrna naprava.	
	Preglejte vse pritrdilne elemente in preverite, ali so prisotne poškodbe ali korozija. Zategnite jih, kot je ustrezno:	
	Preglejte vse gibljive dele in preverite, ali so prisotni odkrušeni, razpokani, zlomljeni ali obrabljeni predeli, ki lahko med delovanjem povzročijo okvaro.	
Oznake	Vse nalepke so prisotne in povsem berljive.	
Oprema za zaščito pred padcem	Dodatna oprema za zaščito pred padcem, ki se uporablja z izdelkom, je nameščena in pregledana v skladu z navodili proizvajalca. Preverite, ali je ocena trdnosti za vsak vaš izdelek združljiva in zadostna za predvideno uporabo.	

Povzetek pregleda izdelka

Če postopek pregleda izdelka ni uspešen, je celoten pregled neuspešen. Če izdelek ne more uspešno prestati pregleda, ga takoj odstranite iz uporabe. Na izdelek jasno namestite oznako »NE UPORABLJAJ«. Za več informacij glejte razdelek 5.


Vrsta pregleda:	<input type="checkbox"/> Uporabnik	<input type="checkbox"/> Pristojna oseba	Rezultat celotnega pregleda:	
Pregledal/-a:			Datum inšpekcijskega pregleda:	
Podpis:			Rok za naslednji pregled:	
Dodatne opombe:				

Certifikati

Vaš izdelek je skladen z državnimi ali regionalnimi standardi, ki so navedeni na prvi strani tega priročnika. Certificiranje in skladnost sta lahko omejena na posamezne modele izdelkov ali uporabe.

Za več informacij o pridobitvi certifikatov ali zahtevah za skladnost glejte ustrezne standarde in predpise za vaš izdelek.

Uporabniki, ki uporabljajo standarde AS/NZS, morajo za izbiro, uporabo, vzdrževanje in zahteve za usposabljanje upoštevati standard AS/NZS 1891.4.

Izdelek s certifikatom BSI AS/NZS 5532:2013 Dovoljenje: BMP 678539	BSI - Head Office Suite 1, Level 1, 54 Waterloo Road Macquarie Park, NSW, 2113 Avstralija	
--	---	---

Globalno jamstvo za izdelek, omejena pravna sredstva in omejitev odgovornosti

Jamstvo: Naslednje besedilo se uporablja namesto vseh jamstev ali pogojev, eksplicitnih ali implicitnih, vključno z implicitnimi jamstvi ali pogoji za skladnost z običajnimi pričakovanji kupca ali ustreznost za poseben namen.

Za izdelke za zaščito pred padcem 3M, če z lokalno zakonodajo ni določeno drugače, izdajamo 1-letno garancijo za tovarniške napake v izdelavi in materialih; enoletno obdobje se začne z datumom, ko prvotni lastnik namesti izdelek, ali ga prvič uporabi.

Omejena pravna sredstva: Družba 3M bo, po prejemu pisnega zahtevka, popravila ali zamenjala vsak izdelek, za katerega je družba 3M ugotovila, da je poškodba nastala zaradi napake v izdelavi ali materialih. Družba 3M si pridržuje pravico, da zahteva vračilo izdelka v tovarniški obrat za oceno upravičenosti garancijskega zahtevka. Ta garancija ne pokriva poškodb izdelka, ki so posledica obrabe, slabega ravnanja, napačne uporabe, poškodb med prevozom, pomanjkljivega vzdrževanja izdelka ali drugih poškodb, na katere družba 3M nima vpliva. Samo družba 3M izključno presodi stanje izdelka in možnosti uveljavljanja garancije.

Ta garancija velja samo za prvotnega kupca in je edina veljavna garancija za izdelke za zaščito pred padcem družbe 3M. Za pomoč se obrnite na oddelek za pomoč kupcem družbe 3M v svoji regiji.

Omejitev odgovornosti: V obsegu, ki ga dovoljuje lokalna zakonodaja, družba 3M ni odgovorna za nobeno posredno, naključno, posebno ali posledično škodo, kar med drugim vključuje tudi izgubo dobička, ki je na kakršen koli način povezana z izdelki, ne glede na pravno utemeljitev zahtevka.

Base de pescante para montaje en pared 3M™ DBI-SALA®

Instrucciones de uso

Número de formulario: 5903663, Revisión: F

Este producto está certificado o cumple con las siguientes normas y reglamentos. La certificación y la conformidad pueden restringirse a modelos o aplicaciones de productos individuales. Para obtener más información, consulte *Certificaciones*.

- OSHA 29 CFR 1910.140, 1926.502
- EN 795:2012 (Tipo A)
- CEN/TS 16415:2013 (Tipo A)
- EN 1496:2006 (Cláusula 4.6)
- AS/NZS 5532:2013

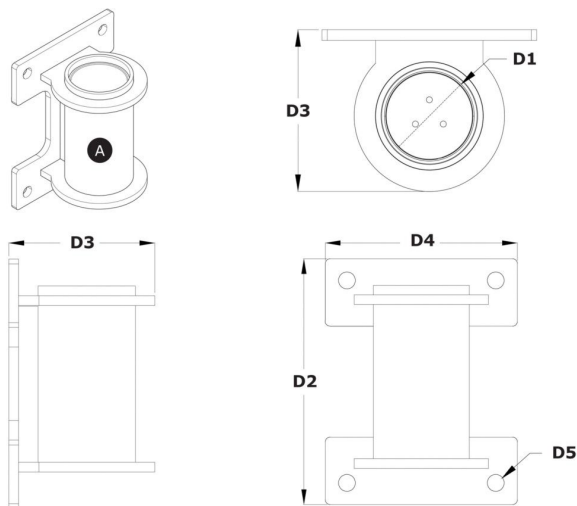
⚠WARNING:

Para la identificación de los códigos de producto, consulte las tablas de especificaciones del producto. Consulte la descripción general del producto para obtener más información sobre el producto.

Es posible que algunos componentes no puedan certificarse individualmente y que sea necesario ensamblarlos para cumplir los requisitos de certificación.

Figura 1: Descripción general del producto

Modelo	Estilo	D1	D2	D3	D4	D5	Peso del producto
8000101	A	4.0 in. (10,2 cm)	12.75 in. (32,4 cm)	7.5 in. (19,0 cm)	10.0 in. (25,4 cm)	0.88 in. (22,2 mm)	34,0 lb. (15,7 kg)
8000102	A	4.0 in. (10,2 cm)	12.75 in. (32,4 cm)	7.5 in. (19,0 cm)	10.0 in. (25,4 cm)	0.88 in. (22,2 mm)	34,0 lb. (15,7 kg)



Información de seguridad

Lea, comprenda y siga toda la información de seguridad que contienen estas instrucciones antes de utilizar este producto. NO SEGUIR ESTA INDICACIÓN PUEDE PROVOCAR LESIONES GRAVES O LA MUERTE.

Estas instrucciones deben proporcionarse al usuario del equipo. Conserve estas instrucciones para futuras consultas.

Información de seguridad

Formulario: 5908277, Revisión: B

Uso previsto

Este producto se utiliza como parte de un sistema completo de protección contra caídas.

El uso en cualquier otra aplicación, incluidas, entre otras, manipulación de materiales no aprobada, actividades recreativas o deportivas u otras actividades no descritas en estas instrucciones, no está aprobado por 3M y podría provocar lesiones graves o la muerte.

Este producto solo debe ser utilizado por usuarios capacitados en aplicaciones en el lugar de trabajo.

Advertencia

Este producto se utiliza como parte de un sistema completo de protección contra caídas.

Todos los usuarios deben estar completamente capacitados en la instalación y operación seguras de su sistema completo de protección contra caídas. El mal uso de este producto podría resultar en lesiones graves o la muerte. Para una selección, operación, instalación, mantenimiento y servicio adecuados, consulte todos los manuales de instrucciones y las recomendaciones del fabricante. Para obtener más información, consulte a su supervisor o comuníquese con servicios técnicos de 3M.

- **Para reducir los riesgos asociados con el uso de un sistema de rescate de entrada a espacios confinados que, en caso de no evitarse, podrían llevar a lesiones graves o la muerte:**
 - Inspeccione el producto antes de cada uso y después de cualquier caída, de acuerdo con los procedimientos especificados en estas instrucciones.
 - Si la inspección revela una condición insegura o defectuosa, retire el producto del servicio de inmediato y etiquételo claramente como "NO UTILIZAR". Destruya o repare el producto según lo requieran estas instrucciones.
 - Cualquier producto que haya estado sujeto a detención de caídas o fuerza de impacto debe retirarse inmediatamente del servicio. Destruya o repare el producto según lo requieran estas instrucciones.
 - Asegúrese de que los sistemas de protección contra caídas ensamblados a partir de componentes fabricados por diferentes fabricantes sean compatibles y cumplan con todas las normas, estándares o requisitos aplicables de la protección contra caídas. Siempre consulte a una persona competente antes de usar estos sistemas.
 - El producto solo se debe instalar como se describe en su manual de instrucciones. 3M debe aprobar por escrito las instalaciones y el uso fuera del alcance de estos manuales de instrucciones.
 - Solo conecte los subsistemas de protección contra caídas a los puntos de conexión de anclaje designados que se encuentran en el producto.
 - Antes de la instalación, asegúrese de que los métodos de instalación y el producto no interferirán con las líneas eléctricas, las líneas de gas ni otros sistemas o materiales críticos.
 - Asegúrese de que el producto esté configurado e instalado correctamente para un funcionamiento seguro como se describe en estas instrucciones.
 - No retuerza, ate, anude ni permita que la línea de vida quede floja.
 - No exceda el número de usuarios permitidos especificado en estas instrucciones.
 - Tenga cuidado al instalar, usar o mover el producto, ya que las piezas móviles pueden crear puntos de enganche.
 - Se deben seguir los procedimientos de bloqueo y etiquetado cuando corresponda.
 - No conecte el producto al sistema mientras se transporta o se instala.
- **Para reducir los riesgos asociados con el trabajo en altura que, si no se evitan, podrían provocar lesiones graves o la muerte:**
 - Su salud y condición física deben permitirle trabajar en altura de manera segura y resistir todas las fuerzas asociadas con un evento de detención de caída. Consulte a su médico si tiene preguntas sobre su capacidad para usar este equipo.
 - Nunca exceda la capacidad permitida de su equipo de protección contra caídas.
 - Nunca exceda la distancia máxima de caída libre especificada para su equipo de protección contra caídas.
 - No utilice ningún equipo de protección contra caídas que no pase la inspección o si tiene dudas sobre el uso o la idoneidad del equipo. Comuníquese con el Servicio de Atención al Cliente de 3M si tiene alguna pregunta.
 - Algunas combinaciones de subsistemas y componentes pueden interferir con el funcionamiento de este equipo. Utilice únicamente conexiones compatibles. Comuníquese con el Servicio de Atención al Cliente de 3M antes de usar este equipo en combinación con componentes o subsistemas que no sean los descritos en estas instrucciones.
 - Tome precauciones adicionales cuando trabaje cerca de maquinaria en movimiento, peligros eléctricos, temperaturas extremas, peligros químicos, gases explosivos o tóxicos, bordes afilados, superficies abrasivas o debajo de materiales elevados que podrían caer sobre usted o su equipo de protección contra caídas.
 - Asegúrese de que el uso de su producto esté clasificado para los peligros presentes en su entorno de trabajo.
 - Asegúrese de que haya suficiente espacio libre de caída cuando trabaje en altura.
 - Nunca modifique ni altere su equipo de protección contra caídas. Solo 3M, o las personas autorizadas por escrito por 3M, pueden realizar reparaciones en los equipos de 3M.
 - Antes de usar el equipo de protección contra caídas, asegúrese de que exista un plan de rescate por escrito para proporcionar un rescate rápido si ocurre un incidente de caída.
 - Si ocurre un incidente de caída, busque inmediatamente atención médica para el trabajador caído.
 - Utilice únicamente un arnés de cuerpo completo para aplicaciones de detención de caídas. No utilice un cinturón corporal.
 - Minimice las caídas por balanceo trabajando tan directamente debajo del punto de anclaje como sea posible.
 - Se debe usar un sistema secundario de protección contra caídas al entrenar con este producto. Los alumnos no deben estar expuestos a un peligro de caída no intencionada.
 - Utilice siempre el equipo de protección personal adecuado cuando instale, utilice o inspeccione el producto.
 - Nunca trabaje debajo de una carga o trabajador suspendido.
 - Mantenga siempre un 100 % de amarre.

Descripción general del producto

Siempre asegúrese de estar utilizando la última versión de su manual de instrucciones de 3M. Visite www.3m.com/userinstructions o comuníquese con el Servicio de Atención al Cliente de 3M para obtener manuales de instrucciones actualizados.

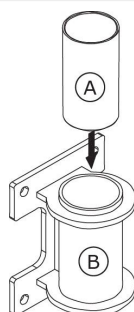
Antes de utilizar este equipo, anote la información de identificación del producto de la etiqueta de identificación en la "Hoja de registro de inspección y mantenimiento", en la parte posterior de este manual.

En la Figura 1, se ilustran los modelos disponibles del producto. Las bases de pescante sirven como la parte del sistema de pescante que ayuda a asegurarlo al suelo. El pescante está asegurado a la base mientras actúa como un punto de anclaje ajustable y móvil para el usuario. Consulte las instrucciones del fabricante para el pescante o el sistema de pescante compatible para obtener más información sobre las aplicaciones del sistema.

La Figura 2 identifica los componentes clave de los modelos de producto disponibles. La base del pescante se compone de dos piezas: un revestimiento (A) y un manguito de pescante (B). El revestimiento permite que un pescante asegurado gire libremente dentro del manguito del pescante. El manguito incluye una placa de montaje adjunta para asegurar la base del pescante a una estructura.

Cada modelo de producto tiene sus propias especificaciones, como se indica en la Figura 1. Consulte las tablas de especificaciones del producto para obtener más información.

Figura 2: Componentes



Tablas de especificaciones del producto

Especificaciones del sistema

Capacidad del usuario:	Consulte las instrucciones del fabricante para los modelos de pescante compatibles para obtener más información sobre la capacidad del sistema.
Estándares:	Cada modelo del producto cuenta con la certificación de las normativas y las reglamentaciones aplicables indicadas en la Figura 1 o cumple con estas. Si no se especifica ninguna, entonces se aplican todas las normativas y las reglamentaciones indicadas en la portada.

Especificaciones de los componentes

Referencia de la Figura 2	Componente	Materiales
A	Revestimiento	Polietileno de alta densidad
B	Manguito de pescante	8000101: Acero al carbono galvanizado
		8000102: Acero inoxidable

1.0 Aplicación del producto

1.1 Propósito: Los sistemas de pescantes actúan como estructuras de anclaje móviles para los sistemas de protección anticaídas. El ensamblaje y los componentes variarán según el sistema. Para obtener más información sobre las aplicaciones del sistema, consulte la "Descripción general del producto" y cualquier sección sobre la instalación o el uso.

1.2 Supervisión: una persona competente debe supervisar el uso de este equipo. Una persona competente debe supervisar la instalación de este equipo. Una persona calificada debe confirmar que la instalación cumple con los reglamentos locales y federales. Una persona calificada debe aprobar la colocación de los sujetadores y la base de pescante.

1.3 Reventa y distribución: si el producto se vuelve a vender fuera del país de destino original, el revendedor debe proporcionar estas instrucciones en el idioma del país en el que se utilizará el producto.

1.4 Capacitación: la instalación y el uso de este equipo deben estar a cargo de personas que hayan recibido la debida capacitación para su aplicación adecuada. Estas instrucciones deben usarse como parte de un programa de capacitación de empleados según lo exigen las normativas locales, regionales y nacionales. Los usuarios y los instaladores de este equipo tienen la responsabilidad de familiarizarse con estas instrucciones, capacitarse en el cuidado y el uso correcto de este, y estar informados sobre las características operativas, los límites de aplicación y las consecuencias del uso incorrecto de este equipo.

1.5 Plan de rescate: cuando utilice este equipo y conecte los subsistemas, el empleador debe contar con un plan de rescate por escrito y los medios para implementar y comunicar el plan a los usuarios, las personas autorizadas y los rescatistas. Se recomienda un equipo de rescate capacitado que se encuentre en el lugar. Los miembros del equipo deben recibir el equipo y las técnicas necesarias para llevar a cabo un rescate exitoso. Se debe proporcionar una capacitación de manera periódica para garantizar la aptitud del rescatista. Los rescatistas deben recibir estas instrucciones. Durante el proceso de rescate, debe haber contacto visual o medios de comunicación en todo momento con la persona que se rescata.

2.0 Requisitos del sistema

2.1 Anclaje: la estructura de anclaje que fija este producto debe poder soportar cualquier carga necesaria, según lo que permita su sistema de protección contra caídas. Consulte la Sección 4 para obtener más información.

2.2 Capacidad: la capacidad del usuario de un sistema completo de protección contra caídas se limita al componente de capacidad máxima que tenga la calificación más baja. Por ejemplo, si su subsistema de conexión tiene una capacidad que es inferior a su arnés, debe cumplir con los requisitos de capacidad de su subsistema de conexión. Consulte las instrucciones del fabricante correspondientes a cada componente del sistema para conocer los requisitos de capacidad.

2.3 Riesgos ambientales: el uso de este equipo en áreas con riesgos ambientales puede requerir precauciones adicionales para prevenir lesiones al usuario o daños al equipo. Algunos de los peligros son, entre otros: calor extremo, sustancias químicas, ambientes corrosivos, líneas de alta tensión, gases explosivos o tóxicos, maquinaria en movimiento, bordes afilados o materiales ubicados sobre la altura de la cabeza que podrían caer y entrar en contacto con el usuario o el equipo. Comuníquese con el Servicio de Atención al Cliente de 3M para obtener aclaraciones adicionales.

2.4 Riesgos de la línea de vida: Asegúrese de que la línea de vida se mantenga libre de todos los peligros, incluidos, entre otros: enredos con los usuarios, otros trabajadores, maquinaria en movimiento, otros objetos circundantes o impacto de objetos elevados que podrían caer sobre la línea de vida o los usuarios.

2.5 Compatibilidad de los componentes: el equipo de 3M está diseñado para el uso con el equipo de 3M. Una persona competente debe aprobar el uso con equipos que no sean de 3M. Las sustituciones hechas con equipos no aprobados pueden arriesgar la compatibilidad del equipo y afectar la seguridad y la confiabilidad de su sistema de protección contra caídas. Lea y siga toda las instrucciones y las advertencias correspondientes a todo el equipo antes de usarlo.

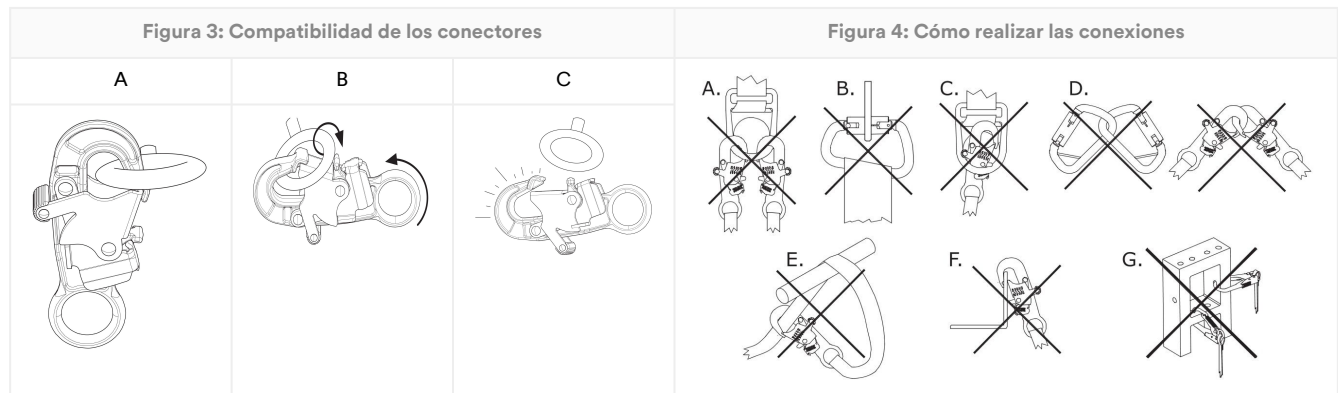
2.6 Compatibilidad de los conectores: los conectores son compatibles con los elementos de conexión cuando el tamaño y la forma de los componentes no provocan la apertura accidental del conector, independientemente de la orientación. Los conectores deben cumplir con las normativas aplicables. Los conectores deben estar completamente cerrados y trabados durante el uso.

Los conectores de 3M (ganchos de seguridad y mosquetones) están diseñados para el uso exclusivo que se especifica en cada manual de instrucciones. Asegúrese de que los conectores sean compatibles con los componentes del sistema a los cuales se conectan. No use un equipo que no sea compatible. El uso de conectores que no sean compatibles puede provocar que se desconecte accidentalmente el conector. Consulte la figura a modo de referencia. Si el elemento de conexión al que se fija un conector es más pequeño que lo debido o es de forma irregular, podría surgir una situación en la

que el elemento de conexión aplique una fuerza al cierre del conector (A). Esta fuerza podría hacer que se abra el cierre (B) y que se desconecte el conector del elemento de conexión (C).

2.7 Cómo realizar las conexiones: todas las conexiones deben ser compatibles en cuanto a tamaño, forma y resistencia. Consulte ejemplos de conexiones incorrectas en la figura. Los ganchos de seguridad y mosquetones no deben conectarse:

1. A un anillo en D al que se ha fijado otro conector.
2. De manera tal que se produzca una carga sobre el cierre. Los ganchos de seguridad de garganta grande no se deben conectar a anillos en D ni a otros elementos de conexión, a menos que el gancho de seguridad tenga una resistencia del mecanismo de cierre de 16 kN (3600 lb) o superior.
3. En un enganche falso, en el que el tamaño o la forma del conector o el elemento de conexión no sean compatibles y, sin confirmación visual, parecería estar completamente conectado.
4. Entre sí.
5. Directamente a las correas del arnés, al material del punto de apoyo de la eslinga o al material de amarre, a menos que las instrucciones del fabricante permitan explícitamente dicha conexión.
6. A ningún objeto cuyo tamaño o forma impidan que el conector esté completamente cerrado y trabado, o que podría provocar que el conector se deslice.
7. De modo que impida que el conector se alinee correctamente en condiciones de carga.



3.0 Instalación

3.1 Descripción general: la instalación de un sistema de pescante puede ser un procedimiento largo de varios pasos. La planificación eficaz y el conocimiento de su lugar de trabajo y su equipo son de gran utilidad para que este proceso se desarrolle sin problemas, dentro de lo posible.

3.2 Planificación: planifique el sistema de protección contra caídas antes de comenzar a trabajar. Tenga en cuenta todos los factores que pueden afectar su seguridad antes, durante y después de una caída. Considere todos los requisitos y las limitaciones especificadas en estas instrucciones.

1. **Bordes afilados:** evite trabajar en sitios donde los componentes del sistema puedan estar en contacto o se raspen con bordes afilados sin protección y superficies abrasivas. Todos los bordes afilados y las superficies abrasivas se deben cubrir con material protector.
2. **Compatibilidad:** cuando instale su sistema, es importante que utilice componentes compatibles. Cada modelo de producto es compatible para su uso con un conjunto específico de modelos o diseños de productos.

La base del pescante también puede recibir cualquier extensión de mástil de pescante que sea compatible con los pescantes enumerados.

Modelos de pescante compatibles	Instrucciones del usuario del pescante
8000107	5908417
8000108	5908417
8000130	5908364
8000131	5908364

3.3 Instalación de la base del pescante: Instale la base del pescante según las instrucciones proporcionadas para su modelo de producto.

La superficie de la estructura de anclaje debe limpiarse de cualquier residuo antes de instalar la base del pescante.

A. Base de pescante para montaje en pared: la base del pescante debe prepararse antes de su uso.

1. **Prepare la ubicación.** Seleccione una superficie de montaje adecuada para instalar la base del pescante, luego determine dónde se debe instalar la base. Debe haber suficiente retroceso desde el borde (A) y el espesor del material (B) para cumplir con los requisitos de resistencia de su estructura y sistema. Marque y luego perfora todos los orificios de montaje según el diámetro y la profundidad recomendados por el fabricante del sujetador.

La base del pescante debe instalarse sobre una superficie plana y vertical.

2. **Coloque la base del pescante.** Alinee los orificios de la placa de montaje con los orificios perforados. La base del pescante debe colocarse dentro de más o menos 1 grado con respecto a la vertical.
3. **Asegure la base del pescante.** Asegure la base del pescante con los sujetadores seleccionados, como se especifica en las instrucciones del fabricante del sujetador.

Figura 6: Instalación de la base de pescante de montaje en pared

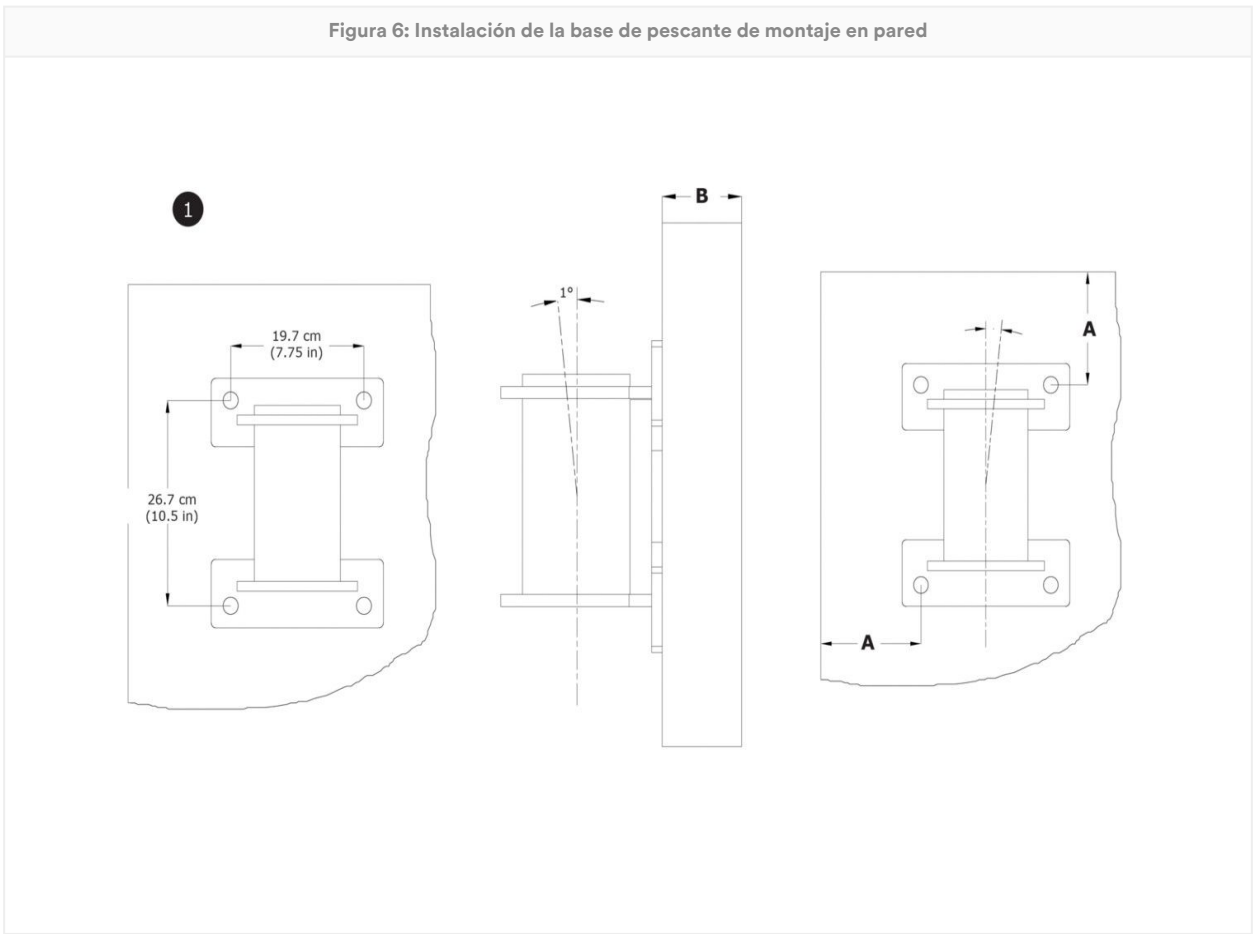
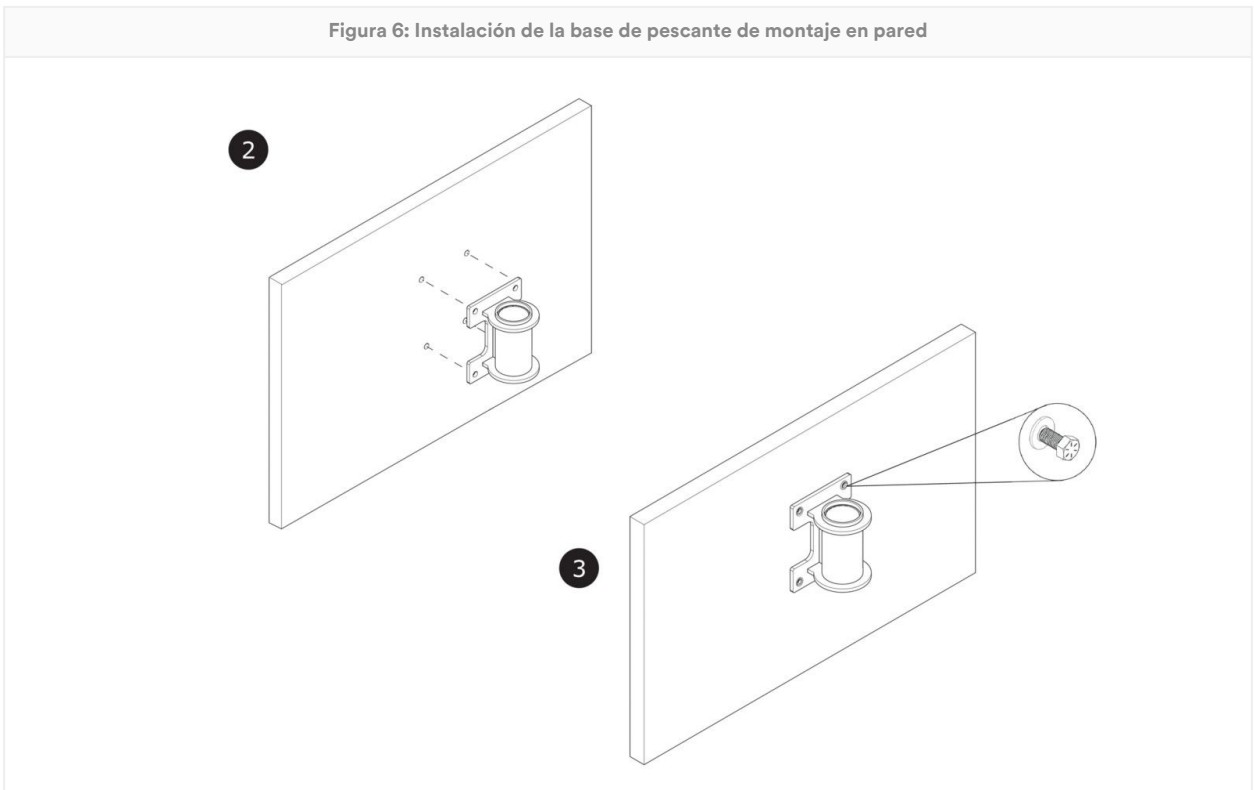


Figura 6: Instalación de la base de pescante de montaje en pared



3.4 Asegurar el pescante: una vez que se ha instalado la base del pescante, el usuario puede asegurar el brazo del pescante o el mástil a la base. El pescante debe estar asegurado al poste de montaje o dentro del manguito de la base del pescante, según corresponda para la base del pescante que está utilizando. Verifique que el pescante esté seguro y que las guías o pasadores de bloqueo se utilicen correctamente. Consulte las instrucciones del fabricante de su pescante o sistema de pescante para obtener más información.

4.0 Uso

4.1 Antes de cada uso: Verifique que su área de trabajo y el sistema de protección contra caídas cumplan con todos los criterios definidos en estas instrucciones. Verifique que exista un Plan de Rescate formal. Inspeccione el producto según los puntos de inspección del "Usuario" definidos en el "Registro de inspección y mantenimiento". Si en la inspección se detecta que el estado del producto es inseguro o defectuoso, o si existe alguna duda sobre su condición para un uso seguro, retire el producto de servicio de inmediato. Ponga una etiqueta clara de "NO UTILIZAR" en el producto. Consulte la Sección 5 para obtener más información.

4.2 Anclaje: además de la capacidad del producto, cualquier sistema de protección anticaídas debe tener en cuenta la resistencia de las estructuras o componentes de soporte.

1. **Estructura de anclaje:** la estructura de anclaje que fija este producto debe ser capaz de soportar las cargas requeridas, según lo que permita el sistema de protección anticaídas de este producto.

Carga de momento	136,400 in.-lb. (15,41 kN*m)
------------------	------------------------------

2. **Puntos de conexión de anclaje:** los puntos de conexión de anclaje utilizados con el producto deben ser capaces de soportar cualquier carga aplicada por el producto.
3. **Sujetadores:** Cualquier sujetador que asegure el producto en su lugar debe ser lo suficientemente fuerte como para mantener el producto asegurado durante el uso. Consulte las instrucciones del fabricante del sujetador para obtener más información.

Fuerza de extracción del sujetador	8,000 lbf (35,59 kN)
Resistencia al cizallamiento por sujetador	5000 lbf (22,2 kN)

4.3 Después de una caída: si este equipo se ha visto sujeto a la detención de caídas o la fuerza de impacto, retírelo del servicio inmediatamente. Etiquételo claramente con la inscripción "NO USAR". Consulte la Sección 5 para obtener más información.

4.4 Manejo de materiales: 3M permite el uso de este producto para el manejo de materiales según las indicaciones. Las reglamentaciones o normativas locales pueden tener restricciones adicionales o regular el uso de equipos de protección contra caídas para la manipulación de materiales.

⚠CAUTION:

Este producto debe utilizarse con un pescante compatible para poder utilizarlo en la manipulación de materiales. Nunca asegure una carga de material directamente sobre la base del pescante.

Antes de asegurar la carga de material, verifique que haya sido preparada para el transporte.

Nunca asegure este producto en materiales y usuarios simultáneamente.

El producto utilizado para la manipulación de materiales debe ser inspeccionado por una persona competente antes de su próximo uso. Las regulaciones o normas locales pueden restringir el cambio entre el uso del personal y el manejo de materiales.

1. **Asegure el pescante.** Asegure el pescante a la base del pescante como se especifica en sus instrucciones de uso.
2. **Asegure un subsistema de conexión al pescante.** Consulte las instrucciones del fabricante de su pescante para obtener más información.
3. **Fije la línea de vida a su carga de material.** Baje o eleve la carga de material según sea necesario.

Capacidad de manejo de materiales

750 lb. (340 kg)

5.0 Inspección

Una vez que el equipo se haya retirado del servicio, no se lo podrá devolver al servicio hasta que una persona competente confirme por escrito que es aceptable hacerlo.

5.1 Frecuencia de inspección: El producto deberá ser inspeccionado antes de cada uso por el usuario y, adicionalmente, por una Persona competente distinta del usuario en los intervalos que se especifican a continuación. Una mayor frecuencia de uso del equipo y condiciones más severas pueden requerir aumentar la frecuencia de inspecciones por parte de la persona competente. La frecuencia de estas inspecciones la debe determinar la persona competente según las condiciones específicas del lugar de trabajo.

Norma o región aplicable	Frecuencia requerida de inspecciones de personas competentes
ANSI y OSHA	Una vez al año
Estándares EN	Una vez al año
AS/NZS	Una vez al año

5.2 Procedimientos de inspección: Inspeccione este producto según los procedimientos indicados en el "Registro de inspección y mantenimiento". El propietario de este equipo debe conservar la documentación de cada inspección. Se debe colocar un registro de inspección y mantenimiento cerca del producto o que este sea de fácil acceso para los usuarios. Se recomienda marcar el producto con la fecha de la próxima o última inspección.

5.3 Defectos: Si el producto no puede devolverse al servicio debido a un defecto existente o una condición insegura, este debe destruirse o enviarse a 3M o a un centro de servicio autorizado por 3M para su reparación.

5.4 Vida útil del producto: la vida útil del producto está determinada por las condiciones de trabajo y el mantenimiento. Mientras el producto pase los criterios de inspección, puede permanecer en servicio.

6.0 Mantenimiento, almacenamiento y reparación

El equipo que necesita mantenimiento o tiene programado recibir mantenimiento debe etiquetarse con la inscripción "NO USAR". Estas etiquetas del equipo no se deben retirar hasta que se realice el mantenimiento.

6.1 Limpieza: limpie regularmente los componentes metálicos del producto utilizando agua tibia y una solución jabonosa suave. Enjuague el producto con agua limpia y, luego, deje que se seque al aire. Para obtener más información, consulte el boletín en nuestro sitio web: <https://www.3M.com/FallProtection/Mechanical-Device-Cleaning>

6.2 Reparación: Solo 3M o las partes autorizadas por escrito por 3M pueden hacer reparaciones a este equipo.

6.3 Almacenamiento y transporte: almacene y transporte el producto en un lugar fresco, seco y limpio, donde no quede expuesto a la luz solar directa. Evite los lugares donde pueda haber vapores de sustancias químicas. Inspeccione minuciosamente los componentes después de un almacenamiento prolongado.

Las bases que están instaladas permanentemente no deben salir del lugar de trabajo. Se pueden retirar otros componentes de estas bases para su almacenamiento o transporte, pero la base tendrá que permanecer.

⚠WARNING:

Las transiciones bruscas entre ambientes cálidos y extremadamente fríos podrían afectar el rendimiento de su equipo. Los dispositivos mecánicos (como dispositivos autorretráctiles, cabrestantes, dispositivos de recuperación, manguitos de escalada, etc.) deben adaptarse para su uso en frío o calor extremos almacenándolos a temperaturas similares al entorno de trabajo. Realice siempre una inspección previa al uso de su equipo en su entorno de trabajo antes de utilizarlo.

7.0 Etiquetas y marcas

7.1 Resumen: la figura “Etiquetas del producto” ilustra las etiquetas y marcas presentes en el producto. Consulte el resumen de la información que se proporciona con cada etiqueta y marca a continuación.

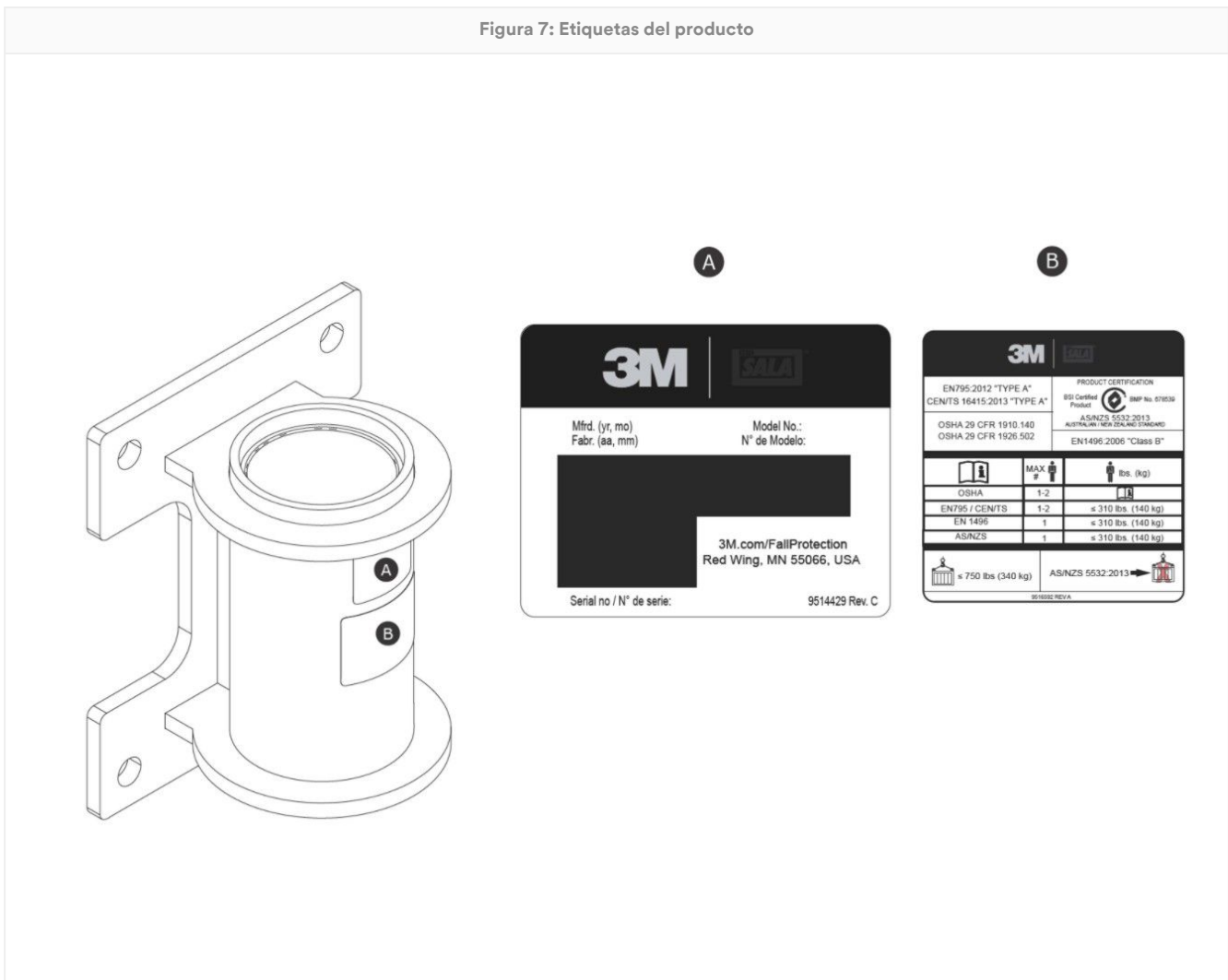
NOTICE:

Las imágenes de las etiquetas pretenden ser representativas. Consulte las etiquetas del producto para obtener información específica.

Se deben reemplazar las etiquetas faltantes o dañadas. Todas las etiquetas deben estar presentes y ser completamente legibles.

A	Etiqueta de especificaciones del producto
B	Etiqueta de identificación

Figura 7: Etiquetas del producto



Glosario

Definiciones: los siguientes términos y definiciones se utilizan en estas instrucciones:

Para obtener una lista exhaustiva de términos y definiciones, visite nuestro sitio web: www.3m.com/FallProtection/ifu-glossary

- **Persona autorizada:** persona designada por el empleador para que realice tareas en una ubicación en la que la persona estará expuesta a un riesgo de caída.
- **Persona competente:** alguien capaz de identificar peligros existentes y predecibles en los alrededores o condiciones de trabajo que son insalubres o peligrosas para los empleados, y que tiene autorización para tomar medidas correctivas rápidas para eliminarlos.
- **Sistema de detención de caídas:** una colección del equipo de protección contra caídas configurado para proteger al usuario en el caso de una caída.
- **Persona calificada:** una persona con un título, un certificado o un cargo profesional reconocidos, o que, con amplios conocimientos, capacitación y experiencia, ha demostrado correctamente su capacidad para resolver o solucionar problemas relacionados con la protección contra caídas y los sistemas de rescate en la medida requerida por las reglamentaciones nacionales, regionales y locales aplicables.
- **Sistema de rescate:** una colección de equipos de protección contra caídas configurada para retirar a una persona de los peligros y moverla a una ubicación segura. No se permite la caída libre.
- **Rescatista:** una persona que utiliza el sistema de rescate para realizar un rescate asistido.
- **Sistema de retención:** una colección del equipo de protección contra caídas configurado para evitar que el usuario tenga un riesgo de caída. No se permite la caída libre.
- **Usuario:** persona que realiza actividades mientras está protegida por el sistema de protección contra caídas.
- **Sistema de posicionamiento de trabajo:** una colección del equipo de protección contra caídas que se configura para respaldar al usuario en una posición de trabajo.

Registro de inspección y mantenimiento

Se debe utilizar una copia de esta tabla para cada inspección. Registre la información a continuación.

Fabricante: Protección contra caídas 3M

Número del modelo (número de serie):

Fecha de compra:

Fecha del primer uso:

El usuario debe inspeccionar este producto antes de cada uso. Además, una Persona competente que no sea el usuario debe inspeccionar este equipo en los intervalos especificados en la Sección 5.

Componente	Procedimiento de inspección	Resultado de la inspección (aprobado o no aprobado)
Producto (Figura 2)	Inspeccione la base del pescante para detectar daños, deformación, corrosión y óxido. Busque grietas, dobleces, abolladuras o desgaste que puedan afectar la resistencia y el funcionamiento del sistema. Al inspeccionar la corrosión, también debe inspeccionar el dispositivo de anclaje, sus fijaciones o sujetadores y la estructura a la que está asegurado el dispositivo de anclaje.	
	Inspeccione todos los sujetadores en busca de daños o corrosión. Ajuste según sea necesario.	
	Inspeccione todas las piezas móviles en busca de astillas, grietas, roturas o áreas desgastadas que pueden causar un mal funcionamiento durante su uso.	
Etiquetas	Todas las etiquetas están presentes y son completamente legibles.	
Equipo de protección contra caídas	El equipo de protección contra caídas adicional que se utiliza con el producto se instala e inspecciona según las instrucciones del fabricante. Verifique que la clasificación de resistencia de cada uno de sus productos sea compatible y suficiente para la aplicación prevista.	

Resumen de la inspección del producto

Si el producto no se aprueba en un procedimiento de inspección, entonces no se aprueba la inspección general. Si el producto no se aprueba en la inspección, retírelo de inmediato del servicio. Ponga una etiqueta clara de "NO UTILIZAR" en el producto. Consulte la Sección 5 para obtener más información.


Tipo de inspección:	<input type="checkbox"/> Usuario	<input type="checkbox"/> Persona competente	Resultado de la inspección general:	
Inspeccionado por:			Fecha de la inspección:	
Firma:			Fecha de la próxima inspección:	
Notas adicionales:				

Certificaciones

El producto cumple con los estándares nacionales o regionales que se identifican en la portada de estas instrucciones. La certificación y la conformidad pueden restringirse a modelos o aplicaciones de productos individuales.

Para obtener más información sobre los requisitos de cumplimiento o certificación, consulte las normativas aplicables y los reglamentos indicados para su producto.

Los usuarios bajo los estándares AS/NZS deben consultar AS/NZS 1891.4 para conocer los requisitos de selección, uso, mantenimiento y capacitación.

<p>Producto certificado por BSI</p> <p>AS/NZS 5532:2013</p> <p>Licencia: BMP 678539</p>	<p>BSI - Head Office Suite 1, Level 1, 54 Waterloo Road Macquarie Park, NSW, 2113 Australia</p>	
---	---	---

Garantía global del producto, recurso limitado y limitación de responsabilidad

Garantía: Lo siguiente se realiza en lugar de todas las garantías o condiciones, expresas o implícitas, incluidas las garantías o condiciones implícitas de comerciabilidad o idoneidad para un propósito particular.

A menos que las leyes locales dispongan lo contrario, los productos de protección contra caídas de 3M están garantizados contra defectos de fábrica en mano de obra y materiales por un período de un año a partir de la fecha de instalación o primer uso por parte del propietario original.

Recurso limitado: previa notificación por escrito a 3M, 3M reparará o reemplazará cualquier producto que determine que tiene un defecto de fábrica en mano de obra o materiales. 3M se reserva el derecho de exigir que el producto se devuelva a sus instalaciones para evaluar las reclamaciones de garantía. Esta garantía no cubre los daños del producto debidos al desgaste, abuso, mal uso, daños durante el transporte, falta de mantenimiento del producto u otros daños fuera del control de 3M. 3M será el único juez de la condición del producto y las opciones de garantía.

Esta garantía se aplica solo al comprador original y es la única garantía aplicable a los productos de protección contra caídas de 3M. Póngase en contacto con el departamento de servicio al cliente de 3M en su región para obtener ayuda.

Limitación de responsabilidad: en la medida en que lo permitan las leyes locales, 3M no es responsable de ningún daño indirecto, incidental, especial o consecuente, incluida, entre otras, la pérdida de ganancias, relacionada de cualquier manera con los productos, independientemente de la teoría legal alegada.

3M™ DBI-SALA® postolje kрана za montažu na zid

Uputstva za korisnika

Broj obrasca: 5903663, Revizija: F

Ovaj proizvod je sertifikovan ili usklađen sa sledećim standardima i propisima. Certifikacija i usaglašenost mogu biti ograničeni na pojedinačne modele proizvoda ili primene. Više informacija potražite u odeljku *Certifikati*.

- OSHA 29 CFR 1910.140, 1926.502
- EN 795:2012 (Tip A)
- CEN/TS 16415:2013 (Tip A)
- EN 1496:2006 (Član 4.6)
- AS/NZS 5532:2013

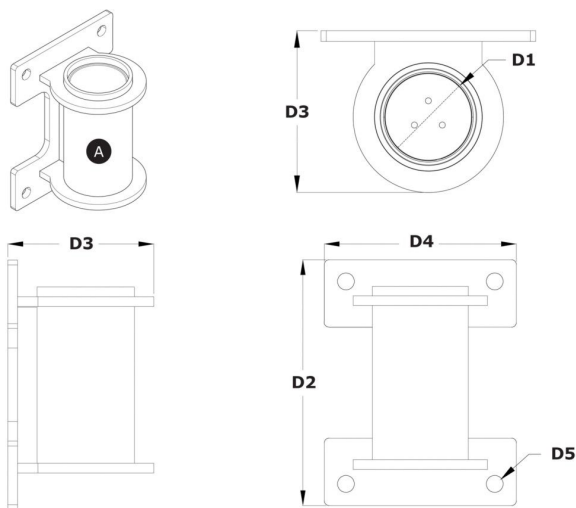
⚠WARNING:

Da biste identifikovali šifre proizvoda, pogledajte tabele sa specifikacijama proizvoda. Više informacija o proizvodu potražite u odeljku „Opšti pregled proizvoda“.

Neke komponente možda neće biti sertifikovane pojedinačno i može biti neophodna njihova montaža kako bi se ispunili zahtevi za sertifikaciju.

Slika 1 – Opšti pregled proizvoda

Model	Stil	D1	D2	D3	D4	D5	Težina proizvoda
8000101	A	10,2 cm (4,0 in)	32,4 cm (12,75 in)	19,0 cm (7,5 in)	25,4 cm (10,0 in)	22,2 mm (0,88 in)	15,7 kg (34,0 lb)
8000102	A	10,2 cm (4,0 in)	32,4 cm (12,75 in)	19,0 cm (7,5 in)	25,4 cm (10,0 in)	22,2 mm (0,88 in)	15,7 kg (34,0 lb)



Bezbednosne informacije

Pre korišćenja ovog proizvoda pažljivo i sa razumevanjem pročitajte i pratite sve bezbednosne informacije sadržane u ovom uputstvu. UKOLIKO TAKO NE POSTUPITE, MOŽE DOĆI DO OZBILJNE POVREDE ILI SMRTI.

Ova uputstva se moraju dostaviti korisniku opreme. Sačuvajte ova uputstva da biste mogli ponovo da ih pročitate.

Bezbednosne informacije

Obrazac: 5908277, Revizija: B

Predviđena namena

Ovaj proizvod se koristi kao deo kompletnog sistema za zaštitu od pada.

Kompanija 3M ne odobrava upotrebu opreme na bilo koji drugi način, uključujući između ostalog i neodobreno rukovanje materijalom, rekreativne ili sportske aktivnosti ili druge aktivnosti koje nisu opisane u ovim uputstvima jer bi takva upotreba mogla dovesti do ozbiljnih povreda ili smrti.

Ovaj proizvod treba da koriste samo obučeni korisnici u primenama na radnom mestu.

Upozorenje

Ovaj proizvod se koristi kao deo kompletnog sistema za zaštitu od pada.

Svi korisnici moraju da budu u potpunosti obučeni za bezbedno postavljanje i korišćenje sopstvenog kompletnog sistema za zaštitu od pada. Nepravilna upotreba ovog proizvoda može da dovede do ozbiljne povrede ili smrti. Pročitajte sve priručnike za korišćenje i sve preporuke proizvođača za pravilan odabir, korišćenje, postavljanje, održavanje i servisiranje opreme. Obratite se nadređenom licu ili tehničkoj službi kompanije 3M za detaljnije informacije.

- **Da bi se smanjile opasnosti povezane sa upotrebom sistema za ulaz/spasavanje u skućenim prostorima koje bi, ako se ne izbegnu, mogle dovesti do teške povrede ili smrti:**
 - Proverite proizvod pre svake upotrebe i nakon svakog pada u skladu sa postupcima koji su navedeni u ovim uputstvima.
 - Ukoliko proverom ustanovite da proizvod nije bezbedan ili da je proizvod neispravan, odmah uklonite proizvod iz upotrebe i jasno ga označite oznakom „NE KORISTITI“. Uništite ili popravite proizvod u skladu sa zahtevima iz ovih uputstava.
 - Svaki proizvod koji je bio izložen sili zaustavljanja pada ili sili udara mora se odmah da se ukloni iz upotrebe. Uništite ili popravite proizvod u skladu sa zahtevima iz ovih uputstava.
 - Pobrinite se da su sistemi za zaštitu od pada koji su sastavljeni od komponenti različitih proizvođača kompatibilni i da ispunjavaju sve važeće propise, standarde ili zahteve za opremu za zaštitu od pada. Uvek se posavetujte sa kompetentnim licem pre upotrebe ovih sistema.
 - Proizvod mora da se ugradi isključivo na način opisan u njegovim uputstvima za upotrebu. Ugradnju i/ili korišćenje koji nisu obuhvaćeni ovim priručnicima mora pisanim putem da odobri kompanija 3M.
 - Podsysteme za zaštitu od pada pričvršćujte samo za naznačene priključne tačke sidrišta na proizvodu.
 - Pre ugradnje proverite da li će način ugradnje i sam proizvod ometati električne vodove, plinske vodove ili druge važne materijale ili sisteme.
 - Pobrinite se da je proizvod pravilno konfigurisan i postavljen za bezbedan rad kao što je to naznačeno u ovim uputstvima.
 - Sigurnosno uže nemojte da uvrćete, vezujete ni da pravite čvorove na njemu i ne dozvolite da bude labav.
 - Nemojte da prekoračite broj dozvoljenih korisnika koji je naznačen u ovim uputstvima.
 - Budite oprezni prilikom postavljanja, korišćenja i pomeranja proizvoda jer pokretni delovi mogu da izazovu prignječenja.
 - Kad je primenljivo, potrebno je da se pridržavate postupaka blokade/označavanja.
 - Nemojte se povezivati na sistem dok je u transportu ili tokom ugradnje.
- **Učinite sledeće kako biste umanjili rizike (koji ukoliko se ne izbegnu, mogu da dovedu do ozbiljne telesne povrede ili smrtnog ishoda) u vezi sa korišćenjem proizvoda prilikom visinskih radova:**
 - Vaše zdravstveno stanje i fizička sprema moraju da budu na odgovarajućem nivou da biste mogli bezbedno da radite na visini i da biste mogli da izdržite sve sile koje nastaju prilikom zadržavanja pada. Posavetujte se sa svojim lekarom ako imate bilo kakva pitanja u vezi sa vašom sposobnošću da koristite ovu opremu.
 - Nikada nemojte da premašite dozvoljeni kapacitet opreme za zaštitu od pada.
 - Nikada nemojte da premašite maksimalno rastojanje za slobodni pad koje je propisano za opremu za zaštitu od pada.
 - Ukoliko oprema za zaštitu od pada ne prođe uspešno proveru ili imate nedoumica u vezi sa korišćenjem ili podesnošću opreme, nemojte da je koristite. Ako imate bilo kakvih pitanja, obratite se korisničkoj službi kompanije 3M.
 - Neke kombinacije podsystema i komponenti mogu uticati na funkcionisanje ove opreme. Koristite samo kompatibilne veze. Obratite se korisničkoj službi kompanije 3M pre korišćenja ove opreme u kombinaciji sa komponentama ili podsystemima koji nisu opisani u ovim uputstvima.
 - Primenite dodatne mere opreza pri radu u okolini pokretne mehanizacije, u slučaju električnih opasnosti, ekstremnih temperatura, hemijskih opasnosti, eksplozivnih ili toksičnih gasova, oštih ivica ili rada ispod materijala koji se nalaze iznad visine glave koji mogu da padnu na vas ili da oštete opremu za sprečavanje pada.
 - Pobrinite se da je proizvod ocenjen kao podesan za rizike koji se javljaju u vašoj konkretnoj radnoj sredini.
 - Pobrinite se da postoji dovoljno prostora za pad pri radu na visini.
 - Nikada nemojte da modifikujete ili prepravljate opremu za zaštitu od pada. Samo kompanija 3M ili lica koja je kompanija 3M napismeno ovlastila mogu da vrše popravke opreme kompanije 3M.
 - Pre korišćenja opreme za zaštitu od pada pobrinite se da je sastavljen pisani plan spasavanja kako bi u slučaju pada bila omogućena brza operacija spasavanja.
 - Ako dođe do pada, odmah potražite medicinsku negu za radnika koji je doživeo pad.
 - Koristite isključivo pojas za celo telo kod primena za zaustavljanje pada. Nemojte da koristite kaiš za telo.
 - Umanjite mogućnost za pojavu pada sa ljuljanjem tako što ćete radove obavljati što je moguće bliže tački za sidrenje.
 - Prilikom obuke za korišćenje ovog proizvoda mora se koristiti i sekundarni sistem za zaštitu od pada. Lica koja se obučavaju ne smeju da budu izložena neplaniranim padovima.
 - Uvek nosite odgovarajuću ličnu zaštitnu opremu pri postavljanju, upotrebi ili pregledanju proizvoda.
 - Nikada nemojte da radite ispod visećeg tereta ili drugih radnika.
 - Uvek morate da budete vezani 100% vremena kada ste izloženi opasnosti od pada.

Opšti pregled proizvoda

Obavezno uvek koristite najnoviju verziju uputstva za korisnike kompanije 3M. Posetite veb-sajt www.3m.com/userinstructions ili se obratite korisničkoj službi kompanije 3M u vezi sa ažuriranim uputstvima.

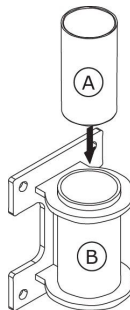
Pre nego što upotrebite ovu opremu, zabeležite informacije o proizvodu sa ID oznake u „Dnevnik kontrola i održavanja“ na poledini ovog priručnika.

Slika 1 ilustruje dostupne modele proizvoda. Postolja kрана su deo sistema kрана koji pričvršćuje sistem za tlo. Kрана je pričvršćen za postolje, dok deluje kao prilagodljiva pokretna tačka sidrišta za korisnika. Više informacija o primenama sistema potražite u uputstvima proizvođača za kompatibilan kрана ili sistem kрана.

Na slici 2 prikazane su glavne komponente dostupnih modela proizvoda. Postolje kрана se sastoji iz dva dela: umetak (A) i rukavac kрана (B). Umetak omogućava slobodno okretanje učvršćenog kрана unutar rukavca kрана. Rukavac uključuje pričvršćenu montažnu ploču za pričvršćivanje postolja kрана na konstrukciju.

Svaki model proizvoda ima sopstvene specifikacije, kao što je navedeno na slici 1. Više informacija možete pronaći u tabelama sa specifikacijama proizvoda.

Slika 2 – Komponente



Tabele sa specifikacijama proizvoda

Specifikacije sistema

Kapacitet korisnika:	Za više informacija o kapacitetu sistema pogledajte uputstva proizvođača za kompatibilne modele kрана.
Standardi:	Svaki model proizvoda je sertifikovan prema odgovarajućim standardima i propisima navedenim na slici 1 ili je u skladu s njima. Ako nijedan nije naveden, onda važe svi standardi i propisi navedeni na naslovnoj strani.

Specifikacije komponenti

Oznaka na slici 2	Komponenta	Materijali
A	Umetak	Polietilen visoke gustine
B	Rukavac kрана	8000101: Pocinkovani ugljenični čelik
		8000102: Nerđajući čelik

1.0 Primena proizvoda

1.1 Namena: Sistemi kranova deluju kao pokretna sidrišta za sisteme za zaštitu od pada. Sklapanje i komponente će se razlikovati u zavisnosti od sistema. Za više informacija o primenama sistema pogledajte „Opšti pregled proizvoda“ i odeljke o instalaciji ili upotrebi.

1.2 Nadzor: Kompetentno lice mora da nadgleda korišćenje ove opreme. Kompetentno lice mora da nadgleda instalaciju ove opreme. Kvalifikovana osoba mora potvrditi da instalacija zadovoljava lokalne i savezne propise. Pričvršćivači i postavljanje osnove kрана takođe moraju biti odobreni od strane kvalifikovanog lica.

1.3 Preprodaja i distribucija: Ako se ovaj proizvod preprodaje van prvobitne zemlje odredišta, preprodavac mora obezbediti ovo uputstvo na jeziku zemlje u kojoj će se proizvod koristiti.

1.4 Obuka: Samo osobe koje su završile obuku o pravilnoj upotrebi ove opreme smeju da montiraju i koriste ovu opremu. Ova uputstva su deo programa obuke za zaposlene u skladu sa zahtevima državnih, regionalnih ili lokalnih standarda. Odgovornost je korisnika i montažera ove opreme da se postaraju da budu upoznati sa ovim uputstvima, obučeni za njeno pravilno održavanje i upotrebu i svesni operativnih karakteristika, ograničenja primene i posledica nepravilne upotrebe ove opreme.

1.5 Plan spasavanja: Kada koristi ovu opremu i podsisteme koji se pričvršćuju, poslodavac mora imati napismeni plan spasavanja i odgovarajuća sredstva za primenu i slanje datog plana korisnicima, ovlašćenim licima i spasiocima. Naša preporuka je da imate obučenu spasilačku ekipu na licu mesta. Članovi spasilačke ekipe treba da vladaju tehnikama spasavanja i treba im obezbediti opremu kako bi spasavanje bilo uspešno izvedeno. Takođe, redovnom obukom ćete osigurati stručnost spasilaca. Spasiocima treba dostaviti ova uputstva. U svakom trenutku tokom procesa spasavanja mora se održavati vizuelni kontakt ili način komunikacije sa osobom koja se spasava.

2.0 Zahtevi sistema

2.1 Sidrište: Struktura sidrišta koja pričvršćuje ovaj proizvod mora da podnese potrebno opterećenje koje je određeno za sistem za zaštitu od pada ovog proizvoda. Pročitajte odeljak 4 za više informacija.

2.2 Kapacitet: Kapacitet celokupnog sistema za zaštitu od pada za korisnike ograničen je kapacitetom pojedinačne komponente sa najnižim maksimalnim nominalnim kapacitetom. Na primer, ukoliko podsistem koji se pričvršćuje ima kapacitet koji je niži od kapaciteta uprege, morate da poštujuete zahteve po pitanju kapaciteta podsistema koji se pričvršćuje. U priručnicima koje je dostavio proizvođač svake pojedinačne komponente pročitajte zahteve u pogledu kapaciteta.

2.3 Opasnosti iz okruženja: Za upotrebu ove opreme u oblastima sa opasnostima u okruženju mogu biti neophodne dodatne mere opreza kako bi se sprečile povrede korisnika ili oštećenje opreme. Opasnosti između ostalih mogu da obuhvataju: veliku toplotu, hemikalije, korozivna okruženja, strujne vodove visokog napona, eksplozivne ili toksične gasove, pokretnu mehanizaciju, oštre ivice ili materijale iznad glava korisnika koji mogu da padnu i dođu u kontakt sa korisnikom ili opremom. Obratite se korisničkoj službi kompanije 3M za detaljnija objašnjenja.

2.4 Opasnosti u vezi sa sigurnosnim užetom: Pobrinite se da u blizini sigurnosnog užeta ne bude nikakvih opasnosti, između ostalog: uplitanje sa korisnicima, drugim radnicima, pokretnom mehanizacijom ili ostalim predmetima iz okoline ili udaraca predmeta sa visine koji mogu da padnu na sigurnosno uže ili korisnike.

2.5 Kompatibilnost komponenti: 3M oprema je predviđena za upotrebu sa 3M opremom. Kompetentno lice mora da odobri korišćenje sa opremom koju nije proizvela kompanija 3M. Zamena neodobrenom opremom može da ugrozi kompatibilnost opreme i da se negativno odrazi na bezbednost i pouzdanost vašeg sistema za zaštitu od pada. Pre upotrebe pročitajte i pratite sva uputstva i upozorenja za svu opremu.

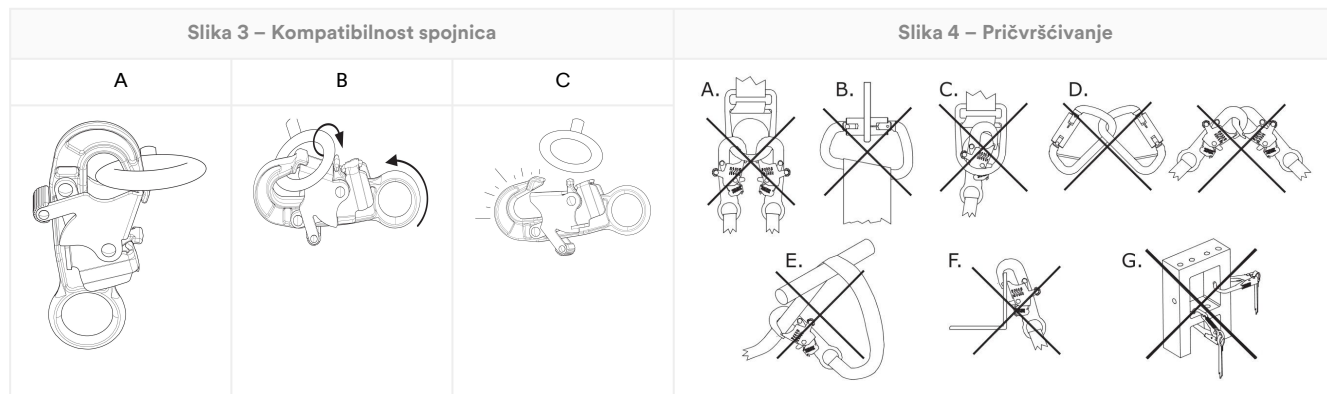
2.6 Kompatibilnost spojnice: spojnice su kompatibilne sa elementima za povezivanje kada veličina i oblik svake komponente ne dovodi do slučajnog otvaranja spojnice bez obzira na usmerenost. Spojnice moraju da budu usaglašene sa važećim standardima. Spojnice tokom upotrebe moraju da budu u potpunosti zatvorene i zaključane.

3M spojnice (alke i karabineri) konstruisane su samo za korišćenje na način koji je naveden u uputstvima za korisnika za svaki proizvod. Obavezno utvrdite da li su spojnice kompatibilne sa komponentama sistema na koje će biti povezane. Nemojte koristiti nekompatibilnu opremu. Korišćenje komponenti koje nisu kompatibilne može da prouzrokuje slučajno otvaranje spojnice. Pogledajte sliku za referencu. Ako je element za pričvršćivanje za koji se kači spojnica nedovoljne veličine ili nepravilnog oblika, doći će do situacije da element za pričvršćivanje primenjuje silu na zatvarač spojnice (A). Ova sila može da prouzrokuje otvaranje zatvarača (B) i prekidanje veze između spojnice i elementa za pričvršćivanje (C).

2.7 Pričvršćivanje: sve spojnice moraju biti kompatibilne po veličini, obliku i snazi. Pogledajte sliku za primere neodgovarajućih pričvršćivanja. Nemojte povezivati alke i karabinere:

1. Na D-prsten na koji je pričvršćena neka druga spojnica.

2. Na način koji bi doveo do opterećenja na zatvarač. Velike alke se ne smeju povezivati na D-prstenove standardne veličine ili druge elemente za pričvršćivanje, osim ukoliko alka ima otvarač snage od 16 kN (3600 lbf) ili veću.
3. Pri nepravilnom spoju, kada veličina ili oblik spojnice ili spojnog elementa nisu usklađeni i kada bez provere deluju u potpunosti spojene.
4. Jedno za drugo.
5. Direktno na kaiševne uprege, materijal vezica za nogare ili povratni materijal ako takav spoj nije izričito dozvoljen u uputstvu proizvođača.
6. Za bilo koji predmet čija veličina ili oblik ne dozvoljavaju da se spojnica potpuno zatvori i blokira ili koji bi mogao uzrokovati izvlačenje spojnice
7. Na način koji ne dozvoljava da se spojnica pravilno postavi dok je pod opterećenjem.



3.0 Instaliranje

3.1 Pregled: Instaliranje sistema kрана može biti dugotrajan postupak sa više koraka. Delotvorno planiranje i svest o mestu rada i opremi znatno doprinose pojednostavljanju postupka.

3.2 Planiranje: Pre nego što počnete sa radom, isplanirajte sistem za zaštitu od pada. Uzmite u obzir sve faktore koji mogu uticati na vašu bezbednost pre, u toku i nakon pada. Razmotrite sve zahteve i ograničenja definisane u ovim uputstvima.

1. **Oštre ivice:** Izbegavajte rad na mestima gde komponente sistema mogu biti u kontaktu sa nezaštićenim oštrim ivicama ili hrapavim površinama ili se guliti o njih. Sve oštre ivice i hrapave površine treba da budu prekrivene zaštitnim materijalom.
2. **Kompatibilnost:** Prilikom montiranja sistema važno je da koristite kompatibilne komponente. Svaki model proizvoda kompatibilan je za upotrebu sa određenim skupom modela ili dizajna proizvoda.

Postolje kрана takođe može da primi produžetke za jarbol kрана koji su kompatibilni sa navedenim kranovima.

Kompatibilni modeli kрана	Uputstvo za upotrebu kрана
8000107	5908417
8000108	5908417
8000130	5908364
8000131	5908364

3.3 Instaliranje postolja kрана: Instalirajte postolje kрана prema uputstvima navedenim za vaš model proizvoda.

Površina strukture sidrišta mora biti očišćena od svih nečistoća pre postavljanja postolja kрана.

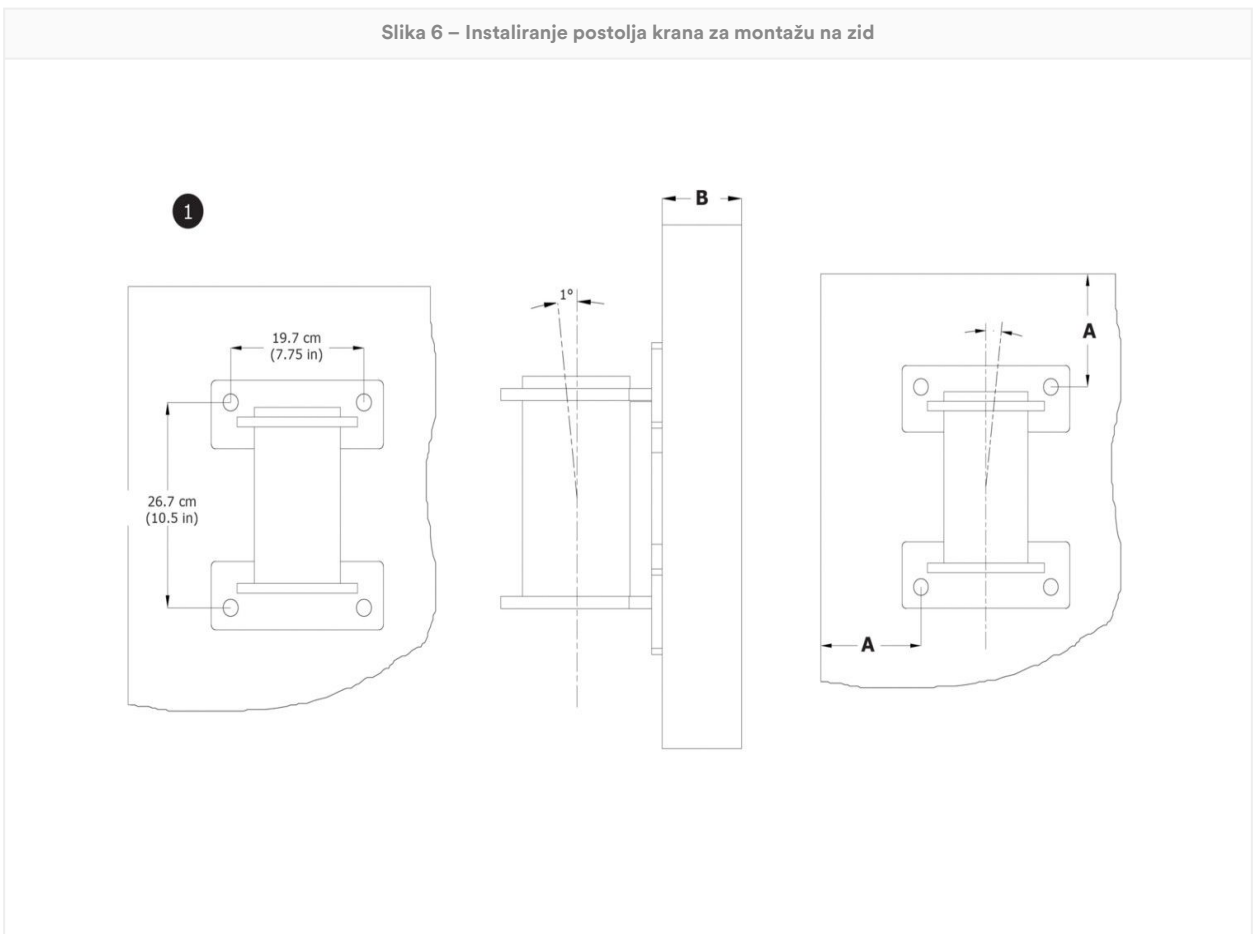
A. Postolje kрана za montažu na zid: Postolje kрана treba pripremiti pre upotrebe.

1. **Pripremite lokaciju.** Izaberite odgovarajuću površinu za montiranje za instaliranje postolja kрана, a zatim odredite gde treba da bude instalirano postolje. Obezbedite dovoljnu udaljenost od ivice (A) i debljinu materijala (B) za postizanje potrebne čvrstoće za konstrukciju i sistem. Označite i izbušite rupe za montiranje prema prečniku i dubini koje preporučuje proizvođač pričvršćivača.

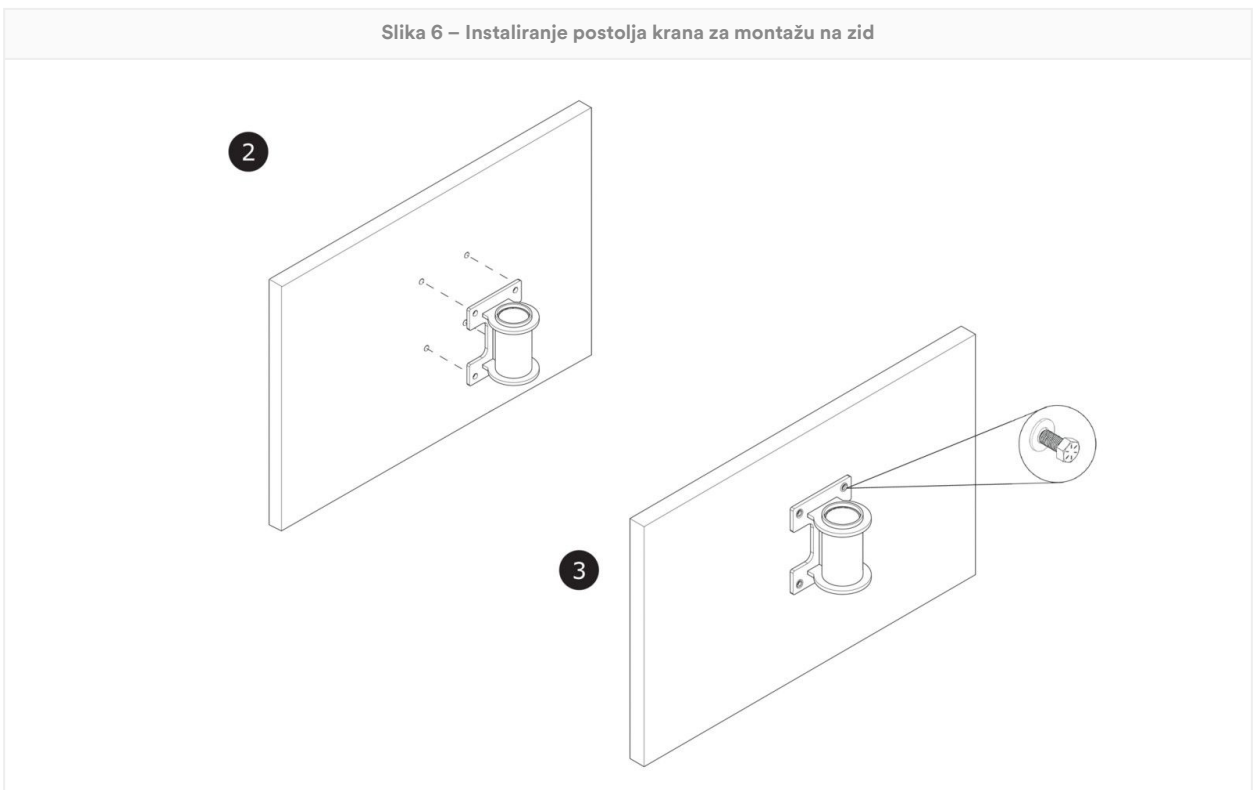
Postolje kрана mora da se instalira na ravnoj, vertikalnoj površini.

2. **Postavite postolje kрана.** Poravnajte rupe u montažnoj ploči sa izbušenim rupama. Postolje kрана mora da se postavi tako da odstupanje od vertikale bude +/- 1 stepen.
3. **Pričvrstite postolje kрана.** Pričvrstite postolje kрана pomoću izabranih pričvršćivača, kao što je navedeno u uputstvima proizvođača pričvršćivača.

Slika 6 – Instaliranje postolja kрана za montažu na zid



Slika 6 – Instaliranje postolja kрана za montažu na zid



3.4 Učvršćivanje kрана: Nakon postavljanja postolja kрана, korisnik može na njega pričvrstiti krak ili jarbol kрана. Kran treba da bude pričvršćen za montažni stub ili unutar rukavca postolja kрана, u zavisnosti od toga šta je primenljivo za postolje kрана koje koristite. Proverite da li je kran učvršćen i da li se sve vodice ili klinovi za pričvršćivanje koriste na odgovarajući način. Za više informacija pogledajte uputstva proizvođača za kran ili sistem kрана.

4.0 Upotreba

4.1 Pre svake upotrebe: Proverite da li vaš radni prostor i sistem za zaustavljanje pada ispunjavaju sve kriterijume definisane u ovim uputstvima. Proverite da li postoji zvanični plan spasavanja. Pregledajte proizvod u skladu sa „korisničkim“ postupkom kontrole koji je definisan u „Dnevniku kontrola i održavanja“. Ukoliko se pregledom otkrije da proizvod nije bezbedan ili da je oštećen ili ukoliko postoji bilo kakva sumnja u bezbednost njegovog korišćenja, proizvod odmah uklonite iz upotrebe. Jasno označite proizvod oznakom „NE KORISTITI“. Pročitajte odeljak 5 za više informacija.

4.2 Sidrište: Osim kapaciteta proizvoda, za svaki sistem za zaštitu od pada mora se uzeti u obzir i čvrstoća svih potpornih struktura ili komponenti.

1. **Struktura sidrišta:** Struktura sidrišta koja pričvršćuje ovaj proizvod mora da podnosi potrebno opterećenje koje je određeno za sistem za zaštitu od pada ovog proizvoda.

Moment opterećenja	15,41 kN*m (136,400 in-lb)
--------------------	----------------------------

2. **Priključne tačke sidrišta:** Priključne tačke sidrišta koje se upotrebljavaju sa ovim proizvodom moraju da izdrže sva opterećenja koja uzrokuje proizvod.
3. **Pričvršćivači:** Svi pričvršćivači koji pričvršćuju proizvod na mestu moraju biti dovoljno čvrsti da drže proizvod na mestu tokom upotrebe. Više informacija potražite u uputstvima proizvođača za pričvršćivače.

Sila izvlačenja pričvršćivača	35,59 kN (8000 lbf)
Čvrstoća na smicanje po pričvršćivaču	22,2 kN (5000 lbf)

4.3 Nakon pada: Ako je oprema izložena sili zaustavljanja pada ili udarnoj sili, odmah je uklonite iz upotrebe. Jasno je označite oznakom „NE KORISTITI“. Pročitajte odeljak 5 za više informacija.

4.4 Rukovanje materijalom: 3M dozvoljava upotrebu ovog proizvoda za rukovanje materijalom prema uputstvima. Lokalni propisi ili standardi mogu imati dodatna ograničenja ili regulisati upotrebu opreme za zaštitu od pada prilikom rukovanja materijalima.

⚠CAUTION:

Ovaj proizvod se mora koristiti sa kompatibilnim kranom da bi se koristio za rukovanje materijalom. Nikada ne pričvršćujte teret materijala direktno na postolje kрана.

Pre nego što obezbedite teret materijala, proverite da li je pripremljen za transport.

Nikada ne pričvršćujte proizvod za materijal i korisnike istovremeno.

Proizvod koji se koristi za rukovanje materijalom mora da pregleda kompetentno lice pre dalje upotrebe. Lokalni propisi ili standardi mogu da ograničavaju ograničavaju naizmeničnu upotrebu za osoblje i rukovanje materijalom.

1. **Pričvrstite kran.** Pričvrstite kran na postolje kрана, kao što je navedeno u uputstvu za upotrebu.
2. **Obezbedite podsistem koji se pričvršćuje na kran.** Za više informacija pogledajte uputstva proizvođača za kran.
3. **Pričvrstite sigurnosno uže za teret materijala.** Po potrebi spustite ili podignite teret materijala.

Kapacitet za rukovanje materijalom

340 kg (750 lb)

5.0 Pregled

Nakon što opremu uklonite iz upotrebe, nećete moći da je vratite u upotrebu sve dok stručna osoba pisanim putem ne potvrdi da je to prihvatljivo.

5.1 Učestalost kontrole: Proizvod treba pre svake upotrebe da pregleda korisnik i, dodatno, kompetentno lice osim korisnika u dolenađenim intervalima. Ukoliko se oprema učestalije koristi ili se koristi u težim uslovima, neophodna je

češća provera opreme od strane kompetentnog lica. Učestalost ovih provera treba da odredi kompetentno lice u skladu sa specifičnim uslovima koji vladaju na radnoj lokaciji.

Primenljivi standard ili region	Potrebna učestalost kontrola kompetentnih lica
ANSI i OSHA	Jednom godišnje
EN standardi	Jednom godišnje
AS/NZS	Jednom godišnje

5.2 Postupci kontrole: Pregledajte ovaj proizvod u skladu sa postupcima definisanim u „Evidenciji kontrole i održavanja“. Dokumentaciju o svakoj obavljanoj kontroli treba da vodi vlasnik ove opreme. „Dnevnik kontrola i održavanja“ treba da se čuva u blizini opreme ili da na neki drugi način bude lako dostupan korisnicima. Preporučljivo je da se proizvod označi oznakom datuma kada treba da se obavi sledeća kontrola ili datumom kada je obavljena poslednja kontrola.

5.3 Defekti: Ako proizvod ne može da se vrati u upotrebu zato što ima nedostatak ili nije u sigurnom stanju, proizvod mora da se uništi ili pošalje na popravku kompaniji 3M ili ovlašćenom servisnom centru kompanije 3M.

5.4 Radni vek proizvoda: Radni vek proizvoda se određuje u skladu sa uslovima rada i održavanja. Sve dok proizvod zadovoljava kriterijume kontrole, može se koristiti.

6.0 Održavanje, skladištenje i popravljanje

Oprema nad kojom je neophodno obaviti radove na održavanju ili nad kojom po rasporedu treba obaviti radove na održavanju, treba označiti oznakom „NE KORISTITI“. Ove oznake na opremi ne treba uklanjati dok se ne obave radovi na održavanju.

6.1 Čišćenje: Povremeno čistite metalne komponente proizvoda toplom vodom i blagim rastvorom sapuna. Isperite proizvod čistom vodom, a zatim ostavite da se osuši na vazduhu. Za više informacija pogledajte tehnički bilten na našem veb-sajtu: <https://www.3M.com/FallProtection/Mechanical-Device-Cleaning>

6.2 Popravka: Samo kompanija 3M ili strane koje je kompanija 3M pismeno ovlastila mogu da vrše popravke ove opreme.

6.3 Čuvanje i transport: proizvod čuvajte i transportujte na hladnom, suvom i čistom mestu van direktne sunčeve svetlosti. Izbegavajte prostore u kojima mogu postojati hemijska isparenja. Detaljno pregledajte komponente nakon dužeg odlaganja.

Stalno postavljena postolja ne smeju da napuštaju radnu lokaciju. Ostale komponente mogu biti uklonjene iz ovih postolja radi skladištenja ili transporta, ali postolje će morati da ostanu.

⚠WARNING:

Nagli prelazi između toplih i ekstremno hladnih okruženja mogu uticati na performanse opreme. Mehanički uređaji (kao što su samouvlačeći uređaji, čekrci, pronalazače uređaja, karabineri za penjanje itd.) treba da budu prilagođeni za upotrebu u uslovima ekstremne hladnoće ili toplote tako što će se skladištiti na temperaturama sličnim radnom okruženju. Uvek izvršite preliminarni pregled opreme u radnom okruženju pre upotrebe.

7.0 Nalepnice i oznake

7.1 Sažetak: Na slici „Nalepnice na proizvodu“ prikazane su nalepnice i oznake prisutne na proizvodu. U nastavku potražite sažetak informacija za svaku nalepnicu i oznaku.

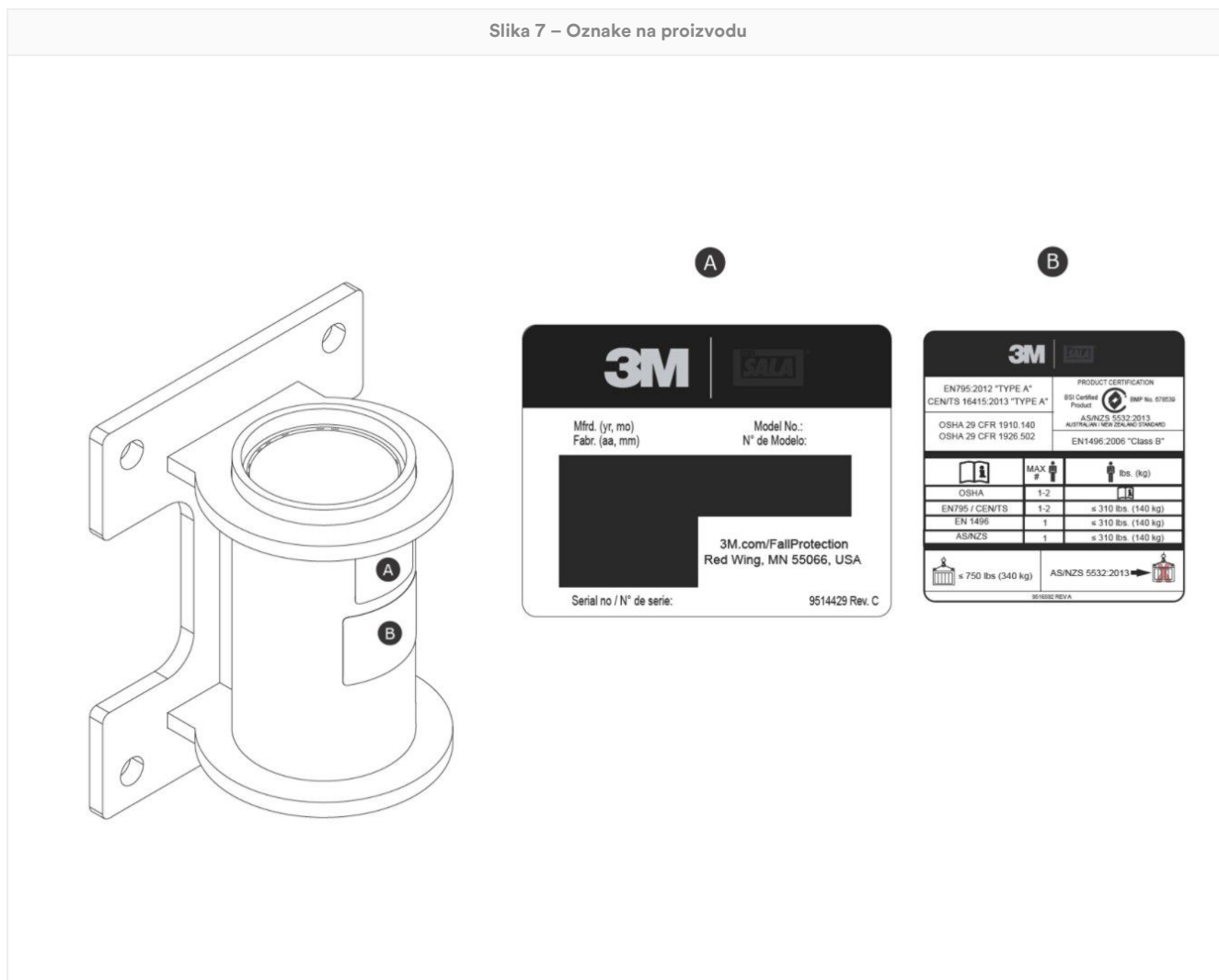
NOTICE:

Slike na nalepnici služe kao primer. Za specifične informacije pogledajte nalepnice proizvoda.

Nalepnice koje nedostaju ili su oštećene moraju se zameniti. Sve nalepnice moraju biti potpuno čitljive.

A	Nalepnica sa specifikacijama proizvoda
B	ID oznaka

Slika 7 – Oznake na proizvodu



Rečnik

Definicije: U ovom uputstvu se koriste sledeći termini i definicije:

Sveobuhvatnu listu termina i definicija možete da pronađete na našem veb-sajtu: www.3m.com/FallProtection/ifu-glossary

- **Ovlašćeno lice:** lice koje je poslodavac imenovao da obavlja dužnosti na lokaciji gde će lice biti izloženo opasnosti od pada.

- **Kompetentno lice:** lice koje je sposobno da identifikuje postojeće ili predvidive opasnosti u okruženju ili radnim uslovima koji su nesanitarni, rizični ili opasni po zaposlene, i koje je ovlašćeno da preduzme momentalne korektivne mere kako bi se one uklonile.
- **Sistem za zaustavljanje pada:** skup opreme za zaštitu od pada koji je konfigurisan za zaštitu korisnika u slučaju pada.
- **Kvalifikovano lice:** lice koje poseduje priznatu diplomu, sertifikat ili stručno zvanje ili koje je po osnovu opsežnog znanja, obuke i iskustva uspešno prikazalo sposobnost da reši ili ispravi probleme u vezi sa opremom za zaštitu od pada i sistemom za spasavanje do nivoa koji propisuju važeći državni, regionalni i lokalni propisi.
- **Sistem za spasavanje:** Skup opreme za zaštitu od pada koji je konfigurisan za sprečavanje da lice dospe u opasnost i za prebacivanje datog lica na bezbednu lokaciju. Nije dozvoljen slobodni pad.
- **Spasilac:** lice koje koristi sistem za spasavanje zarad obavljanja asistiranog spasavanja.
- **Sistem za zadržavanje:** Skup opreme za zaštitu od pada koji je konfigurisan za sprečavanje da korisnik dođe u opasnost od pada. Nije dozvoljen slobodni pad.
- **Korisnik:** lice koje obavlja aktivnosti dok je zaštićen sistemom za zaštitu od pada.
- **Sistem za održavanje radnog položaja:** skup opreme za zaštitu od pada koji je konfigurisan kao potpora za korisnika u određenom radnom položaju.

Dnevnik kontrola i održavanja

Kopija ove tabele treba da se koristi za svaku kontrolu. Zabeležite informacije u nastavku.

Proizvođač: 3M Fall Protection

Broj modela (serijski broj):

Datum kupovine:

Datum prve upotrebe:

Ovaj proizvod korisnik mora da proveri pre svake upotrebe. Pored samog korisnika i kompetentno lice treba da pregleda ovu opremu u intervalima navedenim u odeljku 5.

Komponenta	Postupak kontrole	Rezultat kontrole (uspešno prošlo kontrolu ili nije uspešno prošlo kontrolu)
Proizvod (slika 2)	Proverite da li na postolju kрана ima oštećenja, deformacija, korozije i rđe. Potražite pukotine, pregibe, ulegnuća ili znakove habanja koji mogu uticati na čvrstoću i rad sistema. Prilikom provere korozije, takođe treba da pregledate uređaj sidrišta, njegove ankere za pričvršćivanje ili pričvršćivače, kao i strukturu na koju je pričvršćen uređaj sidrišta.	
	Pregledajte sve pričvršćivače da biste videli da li na njima ima oštećenja ili korozije. Pritegnite ako je potrebno.	
	Na svim pokretnim delovima proverite da li ima krhotina, napuklina, lomova ili istrošenih delova koji bi mogli prestati da funkcionišu tokom rada.	
Oznake	Proverite da li su sve oznake (nalepnice i etikete) prisutne i u potpunosti čitljive.	
Oprema za zaštitu od pada	Dodatna oprema za zaštitu od pada koja se koristi uz proizvod postavlja se i pregleda se prema uputstvima proizvođača. Proverite da li je ocena otpornosti svakog proizvoda kompatibilna i dovoljna za predviđenu primenu.	

Sažetak kontrole proizvoda

Ukoliko proizvod ne prođe postupak kontrole, tada proizvod nije prošao celokupnu kontrolu. Ukoliko proizvod ne prođe kontrolu, momentalno ga uklonite iz upotrebe. Jasno označite proizvod oznakom „NE KORISTITI“. Pročitajte odeljak 5 za više detalja.

Tip kontrole:

Korisnik

Kompetentno lice

Ukupni rezultat kontrole:

Kontrolisao/la:

Datum kontrole:

Potpis:

Datum kada treba obaviti sledeću kontrolu:


Dodatne napomene:

Certifikati

Proizvod je proizveden u skladu sa državnim ili regionalnim standardima navedenim na korici ovog uputstva. Certifikacija i usaglašenost mogu biti ograničeni na pojedinačne modele proizvoda ili primene.

Za više informacija o zahtevima za certifikaciju ili usaglašenost, pročitajte važeće standarde i propise navedene za vaš proizvod.

Korisnici prema AS/NZS standardu treba da poštuju AS/NZS 1891.4 u pogledu zahteva za izbor, korišćenje, održavanje i obuku.

Proizvod sa sertifikatom BSI AS/NZS 5532:2013 Licenca: BMP 678539	BSI - Head Office Suite 1, Level 1, 54 Waterloo Road Macquarie Park, NSW, 2113 Australia	
---	--	---

Globalna garancija proizvoda, ograničeni pravni lek i ograničenje odgovornosti

Garancija: Navedena garancija je zamena za sve garancije ili uslove, bilo izričite ili implicitne, uključujući implicitna jemstva ili uslove prodaje ili pogodnost za određenu namenu.

Ukoliko nije drugačije propisano lokalnim zakonima, garancija kompanije 3M koja se odnosi na zaštitnu opremu obuhvata fabričke greške u materijalu ili prilikom izrade u periodu od jedne godine od datuma montiranja ili početka korišćenja opreme od strane prvog vlasnika, odnosno korisnika.

Ograničen pravni lek: Nakon pismenog obraćanja kompaniji 3M, kompanija na sebe preuzima odgovornost da popravi ili zameni bilo koji proizvod za koji ustanovi da ima fabričku grešku u izradi ili materijalu. Kompanija 3M zadržava pravo da zahteva povraćaj proizvoda da bi izvršila procenu i utvrdila da li garancija važi za navedeni zahtev. Ova garancija ne obuhvata oštećenja proizvoda nastala habanjem, zloupotrebom, pogrešnom upotrebom, oštećenjima prilikom transporta, izostankom pravilnog održavanja ili drugih kvarova ili oštećenja nad kojima kompanija 3M nema kontrolu. Pravo je kompanije 3M da proceni u kakvom stanju se proizvod nalazi i da li garancija obuhvata navedena oštećenja.

Ova garancija važi samo za prvog kupca i to je jedina garancija koja važi za zaštitnu opremu koju proizvodi kompanija 3M. Ukoliko imate pitanja, obratite se korisničkoj službi kompanije 3M u svom regionu.

Ograničenje odgovornosti: U meri u kojoj dozvoljavaju lokalni zakoni, kompanija 3M nije odgovorna za bilo kakve indirektno, slučajne, posebne ili posledične štete uključujući, bez ograničenja, gubitak profita koji je na bilo koji način povezan sa proizvodima bez obzira na pravnu osnovu.

3M™ DBI-SALA® Vägmonterad Davit-bas

Bruksanvisningar

Formulärnummer: 5903663, version: F

Denna produkt är certifierad enligt eller uppfyller följande standarder och bestämmelser. Certifiering och överensstämmelse kan vara begränsad till enskilda produktmodeller eller tillämpningar. Se vidare information i avsnittet *Certifieringar*.

- OSHA 29 CFR 1910.140, 1926.502
- EN 795:2012 (Typ A)
- CEN/TS 16415:2013 (Typ A)
- EN 1496:2006 (Klausul 4.6)
- AS/NZS 5532:2013

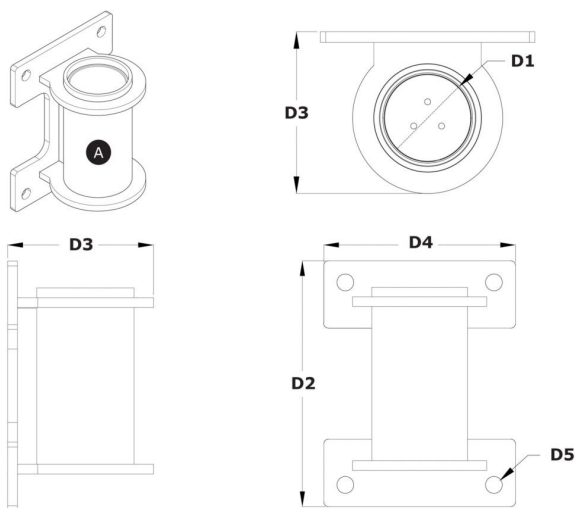
⚠WARNING:

För förklaring av produktkoder, se produktspecifikationstabellerna. För vidare produktinformation, se produktöversikten.

Vissa komponenter är eventuellt inte certifierade individuellt, och kan kräva montering för att uppfylla certifieringskraven.

Figur 1 – Produktöversikt

Modell	Typ	D1	D2	D3	D4	D5	Produktens vikt
8000101	A	10,2 cm (4,0 tum)	32,4 cm (12,75 tum)	19,0 cm (7,5 tum)	25,4 cm (10,0 tum)	22,2 mm (0,88 tum)	15,7 kg (34,0 lb)
8000102	A	10,2 cm (4,0 tum)	32,4 cm (12,75 tum)	19,0 cm (7,5 tum)	25,4 cm (10,0 tum)	22,2 mm (0,88 tum)	15,7 kg (34,0 lb)



Säkerhetsinformation

Läs igenom, se till att du förstår och följ all säkerhetsinformation i dessa anvisningar innan du använder denna produkt. FÖRBISEENDE AV DETTA KAN LEDA TILL ALLVARLIGA PERSONSKADOR ELLER DÖDSFALL.

Dessa anvisningar måste tillhandahållas användaren av utrustningen. Spara dessa anvisningar för framtida referens.

Säkerhetsinformation

Formulär: 5908277, version: B

Avsedd användning

Denna produkt används som en del av ett komplett fallskyddssystem.

Användning i andra tillämpningar inbegripet, men inte begränsat till, ej godkänd materialhantering, fritids- och idrottsaktiviteter eller andra aktiviteter som inte beskrivs i dessa anvisningar är inte godkända av 3M, och kan medföra allvarliga personskador eller dödsfall.

Denna produkt ska endast användas av utbildade användare i arbetsplatstillämpningar.

Varning

Denna produkt används som en del av ett komplett fallskyddssystem.

Alla användare måste vara fullt utbildade i säker installation och användning av deras kompletta fallskyddssystem. Felaktig användning av produkten kan leda till allvarliga personskador eller dödsfall. Se alla instruktionshandböcker och tillverkarens rekommendationer för korrekt val, användning, installation, underhåll och service. För vidare information, prata med din arbetsledare eller kontakta 3M Teknisk support.

- **För att minska riskerna förenade med användning av ett system för ingång/räddning i begränsade utrymmen som, om de inte undviks, kan leda till allvarliga personskador och innebära livsfara:**
 - Besikta produkten före varje användningstillfälle och efter eventuellt fall i enlighet med de förfaranden som anges i dessa anvisningar.
 - Om osäkra eller defekta tillstånd upptäcks vid besiktning ska produkten omedelbart tas ur bruk och tydligt märkas med "FÅR EJ ANVÄNDAS". Förstör eller reparera produkten enligt kraven i dessa anvisningar.
 - Produkt som har utsatts för fallstopps- eller islagskraft måste omedelbart tas ur bruk. Förstör eller reparera produkten enligt kraven i dessa anvisningar.
 - Säkerställ att fallskyddssystem som är sammansatta av komponenter från olika tillverkare är kompatibla och uppfyller alla tillämpliga fallskyddsbestämmelser, -standarder och -krav. Rådgör alltid med en kompetent person innan dessa system används.
 - Produkten får endast installeras så som beskrivs i dess instruktionshandböcker. Installation och användning på annat sätt än enligt dessa instruktionshandböcker måste godkännas skriftligen av 3M.
 - Koppla endast fallskyddsdelsystem till avsedda förankringskopplingspunkter på produkten.
 - Säkerställ före installationen att installationsmetoderna och produkten inte stör elektriska ledningar, gasledning eller andra kritiska material eller system.
 - Se till att produkten monteras och installeras på rätt sätt för säker användning enligt beskrivningen i dessa anvisningar.
 - Tvinn, bind eller knyt inte livlinan, och låt den inte bli slak.
 - Överskrid inte antalet tillåtna användare som anges i dessa anvisningar.
 - Lakta försiktighet vid installation, användning eller förflyttning av produkten eftersom delar i rörelse kan ge upphov till klämpunkter.
 - Processer för låsning/spärrning ska följas, om tillämpligt.
 - Anslut inte till systemet under pågående förflyttning eller installation.
- **För att minska riskerna som är förenade med arbete på hög höjd som, om de inte undviks, kan leda till svåra personskador eller dödsfall:**
 - Din hälsa och fysik måste medge att du kan arbeta säkert på hög höjd och tåla alla krafter som är förenade med ett fallstopp. Rådgör med läkare om du har frågor kring din förmåga att använda den här utrustningen.
 - Överskrid aldrig din fallskyddsutrustnings godkända kapacitet.
 - Överskrid aldrig den högst tillåtna fria fallhöjden som anges för din fallskyddsutrustning.
 - Använd aldrig fallskyddsutrustning som underkänts i besiktning, eller om du är osäker på hur utrustningen ska användas eller om den är lämplig. Kontakta 3M Kundtjänst vid eventuella frågor.
 - Vissa kombinationer av delsystem och komponenter kan inverka på användningen av denna utrustning. Använd endast kompatibla kopplingar. Kontakta 3M Kundtjänst innan denna utrustning används i kombination med andra komponenter eller delsystem än de som beskrivs i dessa anvisningar.
 - Var extra försiktig vid arbete i närheten av maskineri i rörelse, elfaror, extrema temperaturer, kemiska faror, explosiva eller giftiga gaser, vassa kanter, grova ytor eller under ovanliggande material som kan falla ned på dig eller din fallskyddsutrustning.
 - Se till att användningen av produkten är klassad för de faror som finns i arbetsmiljön.
 - Se till att det finns tillräcklig fallmarginal vid arbete på höga höjder.
 - Modifiera eller ändra aldrig din fallskyddsutrustning. Endast 3M eller personer som auktoriserats skriftligen av 3M får utföra reparationer på 3M-utrustning.
 - Innan du använder fallskyddsutrustning ska du se till att det finns en skriftlig räddningsplan för att snabbt komma till undsättning om en fallincident inträffar.
 - Vid fall måste den som fallit omedelbart få läkarvård.
 - Använd endast helkroppssäte i tillämpningar för fallstopp. Använd inte ett kroppsbälte.
 - Minimera risken för pendelfall genom att arbeta med förankringspunkten så rakt ovanför dig som möjligt.
 - Ett sekundärt fallskyddssystem måste användas under utbildning med denna produkt. Personer får under utbildning inte utsättas för oavsiktlig fallrisk.
 - Använd alltid tillämplig personlig skyddsutrustning vid installation, användning eller besiktning av produkten.
 - Arbeta aldrig under en hängande last eller person.
 - Bibehåll alltid 100 % förankring.

Produktöversikt

Se alltid till att den 3M instruktionshandbok du använder är den senaste versionen. Gå till www.3m.com/userinstructions eller kontakta 3M Kundtjänst för information om aktuella instruktionshandböcker.

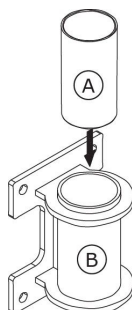
Anteckna ID-etikettens produktinformationsuppgifter i besiktning- och underhållsloggen på baksidan av denna handbok innan utrustningen används.

Figur 1 visar tillgängliga produktmodeller. Davit-baser är den del av Davit-systemet som används till att göra fast det i marken. Davit-enheten är fastgjord i basen när den fungerar som en justerbar, rörlig förankringspunkt för användaren. Se vidare information om systemtillämpningar i tillverkarens anvisningar för den kompatibla Davit-enheten eller Davit-systemet.

Figur 2 visar huvudkomponenter i de tillgängliga produktmodellerna. Davit-basen består av två delar: en innerhylsa (A) och en Davit-hylsa (B). Innerhylsan gör det möjligt för den fastsatta Davit-enheten att rotera fritt inuti Davit-hylsan. Davit-basen fästs på en konstruktion med den monteringsplatta som sitter på hylsan.

Varje produktmodell har sina egna specifikationer som anges i Figur 1. Se vidare information i produktspecifikationstabellerna.

Figur 2 – Komponenter



Produktspecifikationstabeller

Systemspecifikationer

Användarkapacitet:	Se vidare information om systemkapacitet i tillverkarens anvisningar för de kompatibla Davit-modellerna.
Standarder:	Varje produktmodell är certifierad enligt, eller överensstämmer med, de tillämpliga standarder och bestämmelser som anges i Figur 1. Om inga är specificerade är alla standarder och bestämmelser som anges på omslaget tillämpliga.

Komponentspecifikationer

Figur 2 Referens	Komponent	Material
A	Innerhylsa	Högdensitetspolyeten
B	Davit-hylsa	8000101: Försinkt kolstål
		8000102: Rostfritt stål

1.0 Produkttillämpning

1.1 Syfte: Davit-system fungerar som mobila förankringskonstruktioner för fallskyddssystem. Sammansättning och komponenter varierar mellan system. För vidare information om systemtillämpningar, se avsnittet "Produktöversikt" samt avsnitt om installation eller användning.

1.2 Övervakning: Användning av denna utrustning måste övervakas av en kompetent person. Installation av denna utrustning måste övervakas av en kompetent person. En kvalificerad person måste säkerställa att installationen uppfyller gällande bestämmelser. Fästelement och placering av Davit-bas måste också godkännas av en kvalificerad person

1.3 Återförsäljning och distribution: Om produkten säljs vidare utanför det ursprungliga mottagarlandet ska återförsäljaren tillhandahålla dessa anvisningar på språket i det land där produkten kommer att användas.

1.4 Utbildning: Utrustningen måste monteras och användas av personer som är utbildade för korrekt användning av den. Dessa anvisningar ska ingå i personalutbildningsprogram som krävs enligt nationella, regionala eller lokala standarder. Användare och installatörer är ansvariga för att vara insatta i dessa instruktioner, utbildade i korrekt skötsel och användning av utrustningen samt insatta i utrustningens funktionsegenskaper, tillämpningsbegränsningar och konsekvenser av felaktig användning.

1.5 Räddningsplan: Vid användning av denna utrustning och anslutande delsystem måste arbetsgivaren ha en skriftlig räddningsplan och resurser att införa och meddela räddningsplanen till användare, behöriga personer och räddningspersonal. Ett utbildat räddningsteam på plats rekommenderas. Teamets medlemmar ska förse med den utrustning och de metoder som krävs för att utföra en framgångsrik räddningsoperation. Regelbunden utbildning ska ges för att säkerställa räddningspersonalens kompetens. Räddningspersonal ska förse med dessa anvisningar. Det ska alltid finns visuell kontakt eller sätt att kommunicera med personen som ska räddas under räddningsprocessen.

2.0 Systemkrav

2.1 Förankring: Förankringskonstruktionen som denna produkt görs fast med måste kunna klara nödvändiga belastningar som medges av produktens fallskyddssystem. Se vidare information i avsnitt 4.

2.2 Kapacitet: Användarkapaciteten för ett komplett fallskyddssystem begränsas av dess lägst klassade maximala kapacitet. Om ditt anslutande delsystem exempelvis har en kapacitet som är lägre än selens måste du följa kapacitetskraven för ditt anslutande delsystem. Se kapacitetskraven i tillverkarens anvisningar för respektive komponent i ditt system.

2.3 Miljörisker: Vid användning av utrustningen på platser med arbetsmiljörisker kan ytterligare försiktighetsåtgärder krävas för att undvika att användare eller utrustning skadas. Riskerna är bl.a.: hög värme, kemikalier, frätande miljöer, högspänningsledning, explosiva eller giftiga gaser, rörligt maskineri, vassa kanter och överliggande material som kan falla ned och träffa användaren eller utrustningen. Kontakta 3M Kundtjänst för ytterligare förtydligande.

2.4 Risker med livlinan: Se till att livlinan inte utsätts för risker, inbegripet, men inte begränsat till: att användare, andra arbetare, maskiner i rörelse eller andra omgivande föremål fastnar i linan, eller islag från överliggande föremål som kan falla på livlinan eller användare.

2.5 Komponenters kompatibilitet: 3M-utrustning är konstruerad för användning med 3M-utrustning. Användning av utrustning som inte kommer från 3M måste övervakas av en kompetent person. Byten mot icke-godkänd utrustning kan äventyra utrustningens kompatibilitet och kan påverka säkerheten och tillförlitligheten hos ditt fallskyddssystem. Läs och följ alla anvisningar och varningar för all utrustning före användning.

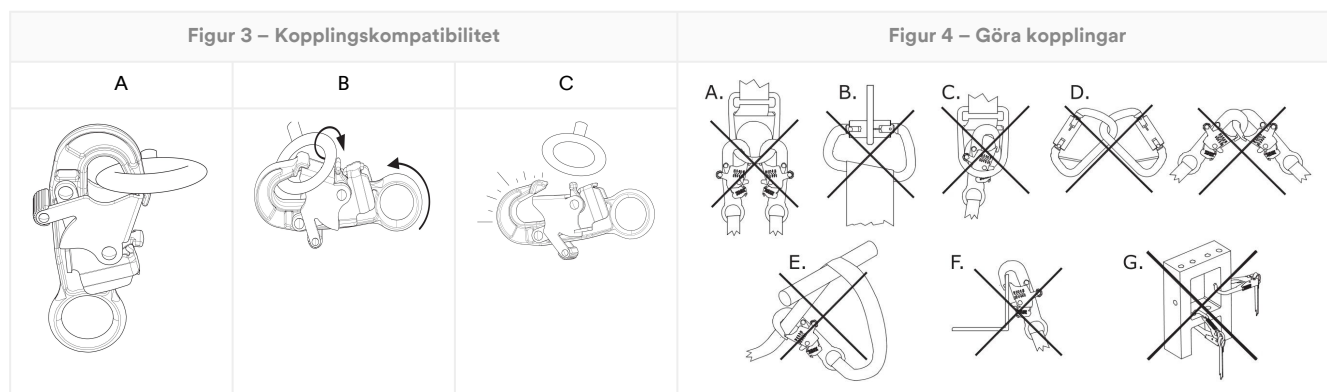
2.6 Kopplingskompatibilitet: Kopplingar och kopplingselement anses kompatibla om deras storlek och form inte ger upphov till att kopplingen öppnas oavsiktligt, oavsett hur de vänds. Kopplingarna måste uppfylla tillämpliga standarder. Kopplingarna måste vara helt stängda och låsta vid användning.

3M-kopplingar (karbinhakar) är endast avsedda att användas så som anges i respektive instruktionshandbok. Kontrollera att kopplingar är kompatibla med de systemkomponenter som de är anslutna till. Använd inte utrustning som inte är kompatibel. Användning av inkompatibla komponenter kan leda till att kopplingen lossnar oavsiktligt. Se figuren som referens. Om kopplingselementet som kopplingen ansluts till är underdimensionerad eller har felaktig form kan det uppstå en situation där kopplingselementet belastar kopplingens öppningsmekanism (A). Belastningen kan då leda till att öppningsmekanismen öppnas (B), så att kopplingen lossnar från kopplingselementet (C).

2.7 Göra kopplingar: Samtliga kopplingar ska vara kompatibla i storlek, form och hållfasthet. Se figuren för exempel på otillämpliga kopplingar. Fäst inte karbinhakar

1. i D-ringar som har en annan koppling ansluten
2. på ett sätt som skulle medföra att öppningsmekanismen belastas. Sjävlåsande enheter med stora öppningar ska inte kopplas till D-ringar eller andra kopplingselement, såvida inte enheten har en spärrstyrka på 16 kN eller mer.

3. i en falsk koppling, där kopplingens eller kopplingselementets storlek eller form inte är kompatibla och, utan visuell bekräftelse, kan förefalla vara fullt kopplat
4. till varandra.
5. Direkt till vävband, fästlina eller omtagslina på helsele, såvida inte sådan anslutning tillåts enligt tillverkarens anvisningar.
6. Till alla föremål vars storlek eller form som leder till att kopplingen inte kan stängas och låsas, eller som kan orsaka att kopplingen släpper.
7. ett sätt som förhindrar att kopplingen passas in rätt under belastning.



3.0 Installation

3.1 Översikt: Installationen av ett Davit-system kan vara en lång process med flera steg. Effektiv planering och medvetenhet om din arbetsplats och din utrustning är till stor hjälp för att få denna process att förlöpa så smidigt som möjligt.

3.2 Planering: Planera ditt fallskyddssystem innan arbete påbörjas. Ta hänsyn till alla faktorer som kan påverka säkerheten före, under och efter ett fall. Ta hänsyn till alla krav och begränsningar som anges i dessa anvisningar.

1. **Vassa kanter:** Undvik att använda utrustningen om systemkomponenter kan komma i kontakt med eller skava mot oskyddade vassa kanter eller grova ytor. Alla vassa kanter och grova ytor ska täckas med skyddsmaterial.
2. **Kompatibilitet:** När du installerar ditt system är det viktigt att du använder kompatibla komponenter. Varje produktmodell är kompatibel för användning med en specifik uppsättning produktmodeller eller -konstruktioner.

Davit-basen kan också hålla alla mastförlängare som är kompatibla med de angivna Davit-enheterna.

Kompatibla Davit-modeller	Bruksanvisningar för Davit-enheten
8000107	5908417
8000108	5908417
8000130	5908364
8000131	5908364

3.3 Installera Davit-basen: Installera Davit-basen enligt bifogade anvisningar för din produktmodell.

Förankringskonstruktionens yta ska rensas från skräp innan Davit-basen installeras.

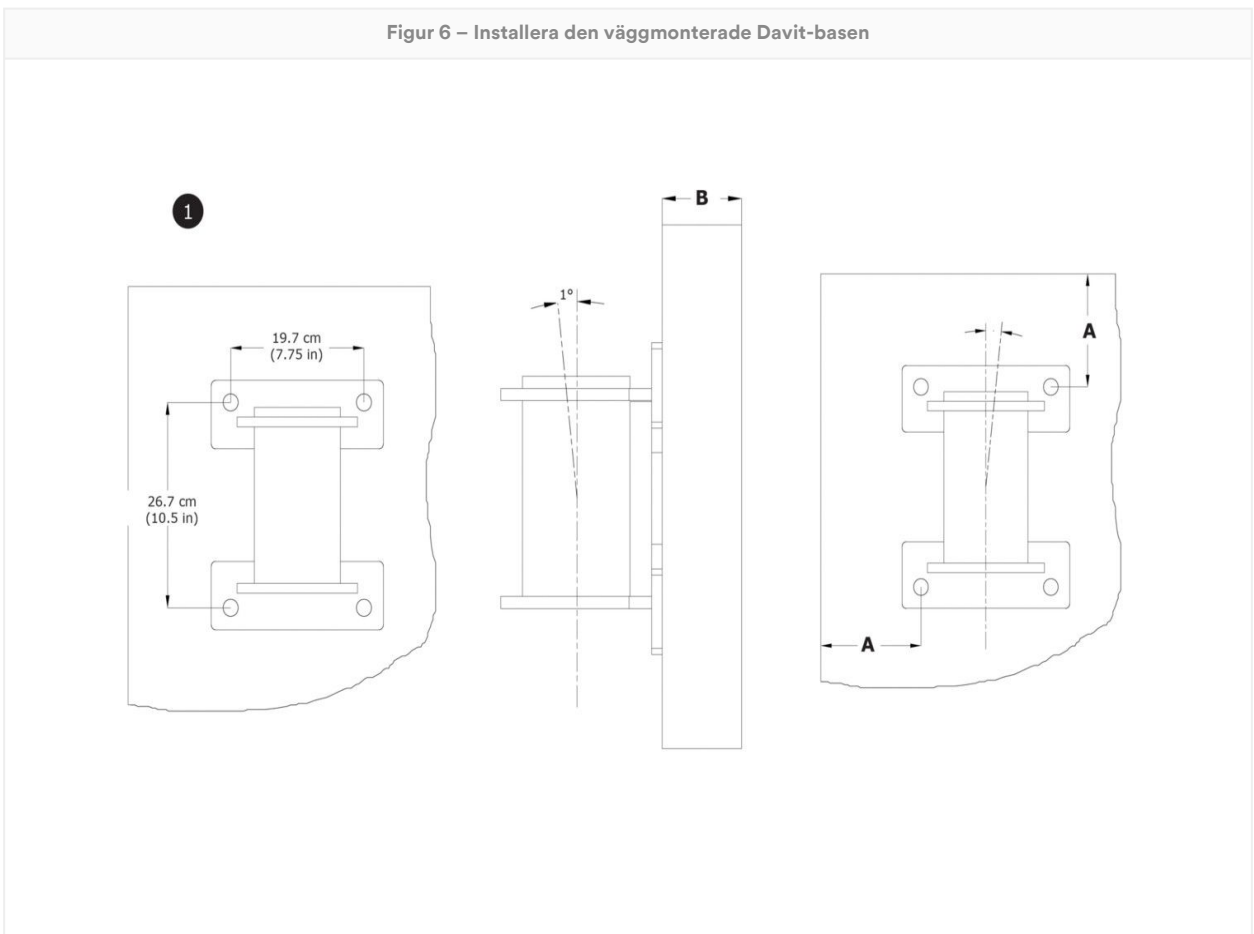
A. Vägghöglad Davit-bas: Davit-basen måste förberedas före användning.

1. **Förbered platsen.** Välj ut en lämplig monteringsyta att installera Davit-basen på, och bestäm sedan var basen ska installeras. Markavståndet från kanten (A) och materialtjockleken (B) måste vara tillräckliga för att uppfylla hållfasthetskraven för konstruktionen och systemet. Märk ut och borra alla monteringshål till det djup och med den diameter som rekommenderas av fästelementets tillverkare.

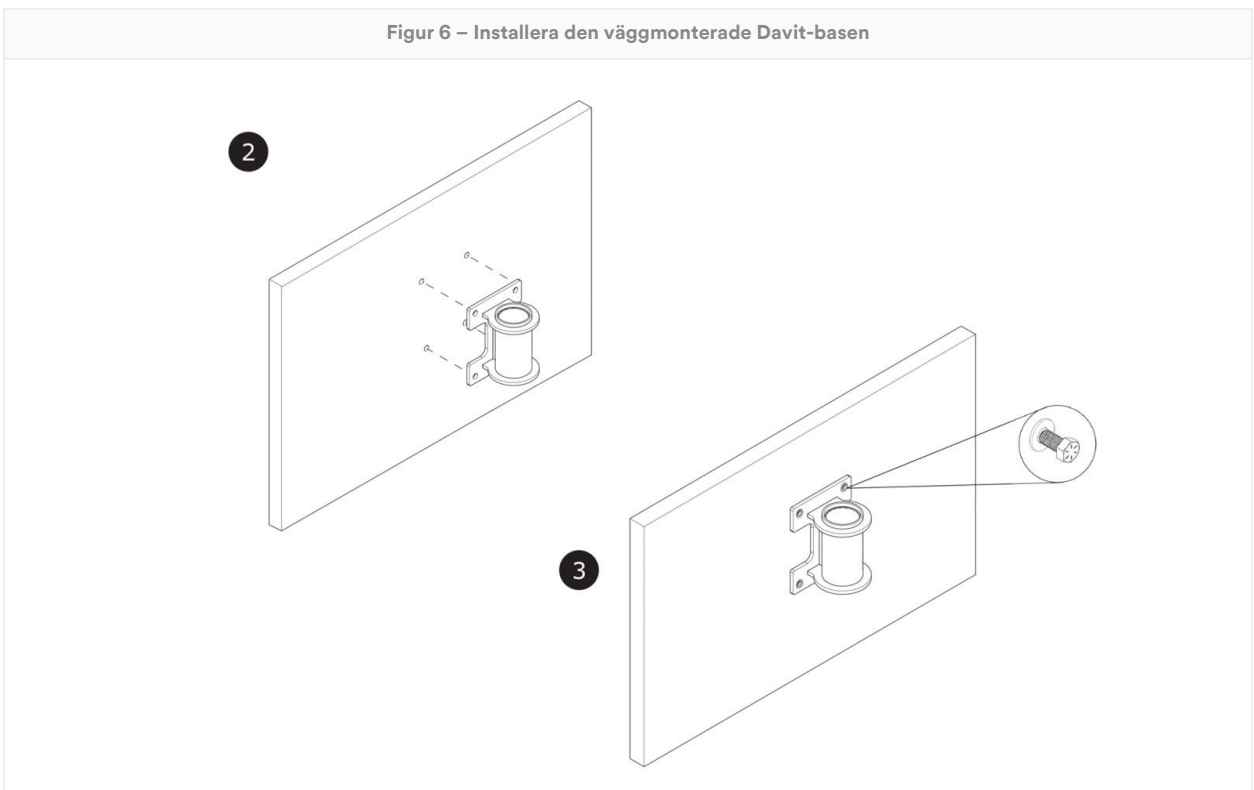
Davit-basen måste installeras på en plan, vertikal yta.

2. **Placera Davit-basen.** Passa in hålen i monteringsplattan med borrhålen. Davit-basen måste positioneras inom ± 1 grad från vertikalen.
3. **Sätt fast Davit-basen.** Sätt fast Davit-basen med de aktuella fästelementen enligt anvisningarna från dessas tillverkare.

Figur 6 – Installera den väggmonterade Davit-basen



Figur 6 – Installera den väggmonterade Davit-basen



3.4 Sätta fast Davit-enheten: Efter att Davit-basen har installerats kan användaren sätta fast Davit-armen eller -masten i basen. Davit-enheten ska sättas på monteringsstolpen eller i Davit-basens hylsa enligt vad som är tillämpligt för den aktuella Davit-basen. Kontrollera att Davit-enheten sitter fast, och att eventuella ledskenor eller låssprintar används på tillämpligt sätt. Se vidare information i tillverkarens anvisningar för din Davit-enhet eller ditt Davit-system.

4.0 Användning

4.1 Före varje användning: Kontrollera att ditt arbetsområde och fallskyddssystemet uppfyller alla kriterier som definieras i dessa anvisningar. Kontrollera att en formell räddningsplan har upprättats. Besikta produkten enligt användarbesiktningss punkterna som anges i besiktning- och underhållsloggen. Om besiktningen visar ett osäkert eller defekt tillstånd, eller om produktens tillstånd för säker användning ifrågasätts, ska produkten omedelbart tas ur bruk. Märk produkten tydligt med "FÅR EJ ANVÄNDAS". Se vidare information i avsnitt 5.

4.2 Förankring: Utöver produktkapacitet måste alla fallskyddssystem beakta eventuella stödkonstruktioners eller -komponenters hållfasthet.

1. **Förankringskonstruktion:** Förankringskonstruktionen som säkrar denna produkt måste kunna klara nödvändiga belastningar som medges av denna produkts fallskyddssystem.

Momentlast	136 400 in-lb. (15,41 kN*m)
------------	-----------------------------

2. **Förankringskopplingspunkter:** Förankringskopplingspunkter som används tillsammans med produkten måste kunna klara alla belastningar som produkten medför.
3. **Fästelement:** Eventuella fästelement som håller produkten på plats måste vara tillräckligt starka för att hålla produkten på plats under användning. Se vidare information i fästelementtillverkarens anvisningar.

Fästelementets utdragsbärförmåga	3559 kN (8 000 lbf)
Skjuvhållfasthet per fästelement	22,2 kN (5 000 lbf)

4.3 Efter ett fall: Om denna utrustning utsätts för fallstopps- eller islagskrafter ska den omedelbart tas ur bruk. Märk den tydligt med "FÅR EJ ANVÄNDAS". Se vidare information i avsnitt 5.

4.4 Materialhantering: 3M tillåter att denna produkt används för materialhantering enligt anvisningarna. Lokala bestämmelser eller standarder kan ha ytterligare begränsningar, eller reglerar eventuellt användning av fallskyddsutrustning för materialhantering.

⚠CAUTION:

För att kunna användas för materialhantering måste denna produkt användas med en kompatibel Davit. Koppla aldrig en materiallast direkt till Davit-basen.

Kontrollera att din materiallast har förberetts för förflyttning innan du kopplar den.

Koppla aldrig denna produkt till material och användare samtidigt.

Produkt som använts för materialhantering måste besiktas av en kompetent person före nästa användningstillfälle. Lokala bestämmelser eller standarder begränsar eventuellt växling mellan personanvändning och materialhantering.

1. **Sätt fast Davit-enheten.** Sätt fast Davit-enheten i Davit-basen enligt instruktionerna i bruksanvisningarna.
2. **Fästa ett anslutande delsystem i Davit-enheten.** Se vidare information i tillverkarens anvisningar för din Davit.
3. **Koppla livlinan till din materiallast.** Sänk eller höj materiallasten efter behov.

Materialhanteringskapacitet

340 kg (750 lb)

5.0 Besiktning

När utrustningen har tagits ur bruk får den inte återtas i bruk förrän en kompetent person skriftligen intygat att det går bra.

5.1 Besiktningintervall: Produkten ska besiktas av användaren före varje användning, och dessutom av en annan kompetent person i de intervall som anges nedan. Högre användningsfrekvens och hårdare förhållanden kan innebära att

fler besiktningar utförda av kompetenta personer krävs. Intervallen för dessa besiktningar ska fastställas av den kompetenta personen enligt arbetsplatsens specifika villkor.

Tillämplig standard eller region	Nödändigt intervall för inspektioner utförda av kompetent person
ANSI och OSHA	En gång per år
EN-standarder	En gång per år
AS/NZS	En gång per år

5.2 Besiktningförfaranden: Besikta den här produkten enligt de förfaranden som anges i besiktning- och underhållsloggen. Ägaren till denna utrustning ska bibehålla dokumentation från varje besiktning. En besiktning- och underhållslogg bör placeras nära produkten eller på annat sätt vara lättillgänglig för användarna. Det rekommenderas att produkten märks med datumet för kommande eller senaste genomförda besiktning.

5.3 Defekter: Om produkten inte kan återtas i bruk på grund av en befintlig defekt eller ett osäkert tillstånd måste produkten antingen förstöras eller skickas till 3M eller ett servicecenter som auktoriserats av 3M för reparation.

5.4 Produktens livslängd: Produktens livslängd avgörs av arbetsmiljö och underhåll. Produkten får användas så länge den uppfyller besiktningsskraven.

6.0 Underhåll, förvaring och reparation

Utrustning som är i behov av underhåll eller har schemalagts för underhåll ska märkas med "FÅR EJ ANVÄNDAS". Dessa utrustningstaggar ska inte tas bort förrän underhåll har utförts.

6.1 Rengöring: Rengör regelbundet produktens metallkomponenter med en lösning av varmt vatten och mild tvål. Skölj produkten med rent vatten och låt den sedan lufttorka. Vidare information finns i den tekniska bulletinen på vår webbplats: <https://www.3M.com/FallProtection/Mechanical-Device-Cleaning>

6.2 Reparation: Endast 3M eller parter som 3M auktoriserat skriftligen får reparera denna utrustning.

6.3 Förvaring och transport: Förvara och transportera kopplingslinor i sval, torr och ren miljö, skyddade från direkt solljus. Undvik platser där det kan finnas kemiska ångor. Undersök komponenterna noga efter långvarig förvaring.

Permanent installerade baser ska inte avlägsnas från arbetsstället. Andra komponenter kan avlägsnas från dessa baser för förvaring eller transport, men basen måste vara kvar.

⚠WARNING:

Plötsliga växlingar mellan varma och extremt kalla miljöer kan påverka utrustningens prestanda. Mekaniska anordningar (t.ex. block (SRL), vinschar, räddningsanordningar, klätterhylsor) ska acklimatiseras för användning i extrem kyla eller värme genom att förvaras i temperaturer som liknar arbetsmiljöns. Gör alltid en förbesiktning av din utrustning i dess arbetsmiljö innan du använder den.

7.0 Etiketter och märkning

7.1 Sammanfattning: Figuren ”Produktetiketter” visar etiketter och märkningar som finns på produkten. Se nedan för en sammanfattning av information som tillhandahålls med varje etikett och märkning.

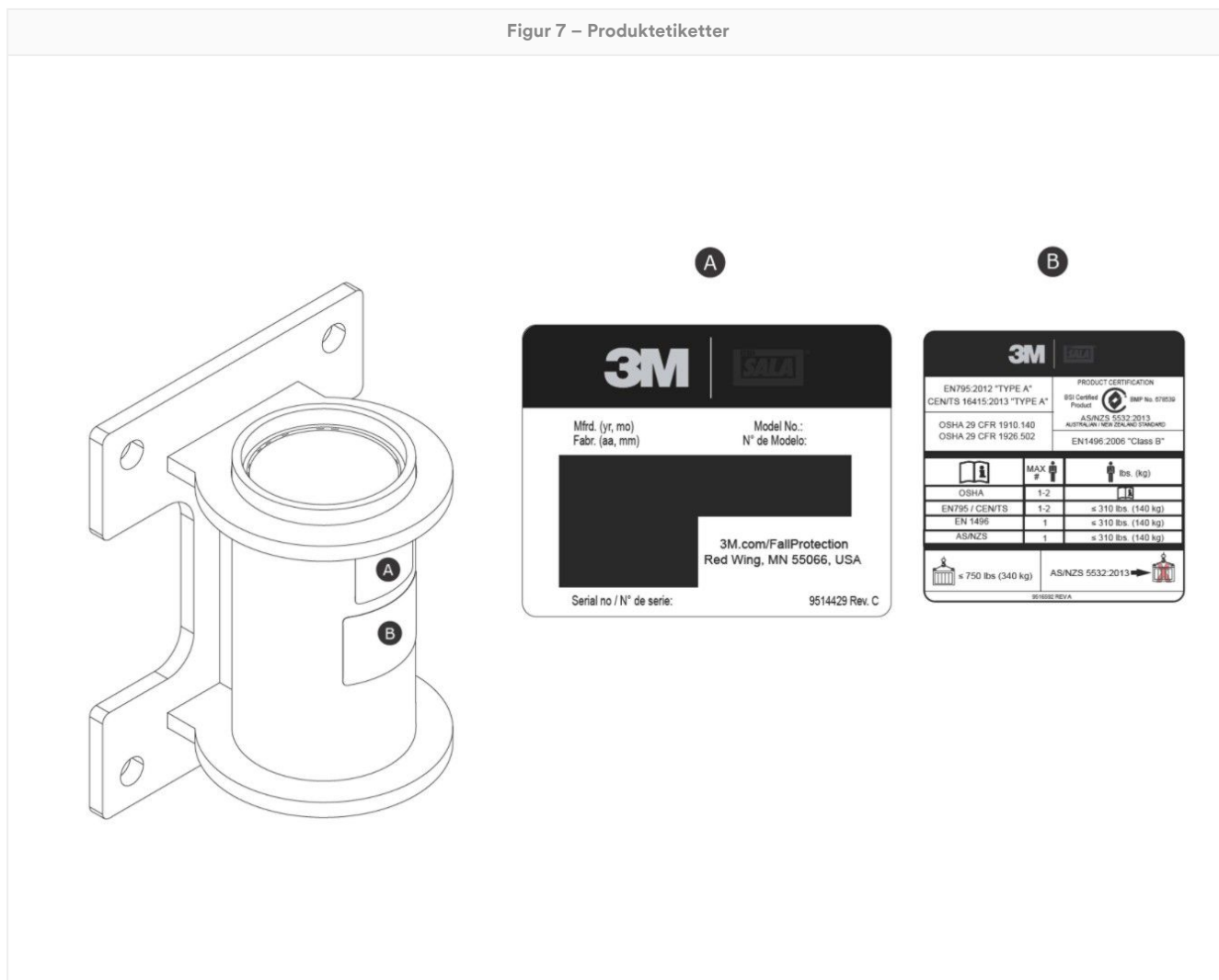
NOTICE:

Etikettbilder är avsedda att vara informativa. Se dina produktetiketter för specifik information.

Etiketter som är skadade eller saknas måste ersättas. Alla etiketter måste vara fullt läsliga.

A	Produktspecifikationsetikett
B	ID-etikett

Figur 7 – Produktetiketter



Ordlista

Definitioner: Följande termer och definitioner används i dessa anvisningar:

En omfattande lista över termer och definitioner finns på vår webbplats: www.3m.com/FallProtection/ifu-glossary

- **Behörig person:** En person som utsetts av arbetsgivaren till att utföra åligganden på ett ställe där personen kommer att exponeras för fallrisk.

- **Kompetent person:** En person som kan identifiera befintliga och förutsebara risker i omgivningen, eller ohygieniska, riskfyllda eller farliga arbetsförhållanden för anställda, och som har befogenhet att vidta omedelbara korrigerande åtgärder för att eliminera dessa.
- **Fallstoppssystem:** Diverse fallskyddsutrustning avsedd för att skydda användaren vid fall.
- **Kvalificerad person:** En person som har examen, intyg eller yrkesställning av godkänd typ, eller som genom omfattande kunskap, utbildning och erfarenhet visat sig ha förmåga att lösa problem som rör fallskydds- och räddningssystem i den utsträckning som krävs enligt tillämpliga nationella, regionala och lokala bestämmelser.
- **Räddningssystem:** Diverse fallskyddsutrustning avsedd för att förflytta en person från faror till en säker plats. Inget fritt fall tillåts.
- **Räddningspersonal:** En person som använder räddningssystemet för att utföra en assisterad räddning.
- **Fallbegränsande system:** Diverse fallskyddsutrustning avsedd för att hindra användaren från att nå en fallrisk. Inget fritt fall tillåts.
- **Användare:** En person som utför aktiviteter under skydd av ett fallskyddssystem.
- **Arbetspositioneringssystem:** Diverse fallskyddsutrustning avsedd att skydda användare i en arbetsposition.

Besiktning- och underhållslogg

Ett exemplar av denna tabell ska användas vid varje besiktning. Registrera nedanstående information.

Tillverkare: 3M Fallskydd

Modellnummer (serienummer):

Inköpsdatum:

Datum för första användningstillfälle:

Denna produkt måste undersökas av användaren före varje användningstillfälle. En annan kompetent person måste dessutom besikta denna utrustning i de intervall som anges i avsnitt 5.

Komponent	Besiktningförfarande	Besiktningresultat (Godkänd eller Underkänd)
Produkt (Figur 2)	Besikta Davit-basen för skador, deformation, korrosion eller rost. Leta efter sprickor, böjningar, bucklor eller slitage som kan påverka systemets hållfasthet och funktion. Vid besiktning för korrosion ska du även besikta förankringsanordningen, dess fästen eller fästelement och den konstruktion som förankringsanordningen är fastgjord i.	
	Besikta alla fästelement för skador eller korrosion. Dra åt vid behov.	
	Kontrollera alla rörliga delar med avseende på flisor, sprickor, brott eller slitna områden som kan orsaka funktionsfel under drift.	
Etiketter	Alla etiketter sitter på plats och är fullt läsliga.	
Fallskyddsutrustning	Annan fallskyddsutrustning som används i tillägg till produkten ska installeras och besiktas enligt tillverkarens anvisningar. Kontrollera att hållfasthetsklassningen för vardera av dina produkter är kompatibel och tillräcklig för den avsedda tillämpningen.	

Sammanfattning av produktbesiktning

Om produkten underkänns i ett besiktningförfarande är produkten i sin helhet underkänd. Om produkten underkänns i besiktningen ska den omedelbart tas ur bruk. Märk produkten tydligt med "FÅR EJ ANVÄNDAS". Se vidare information i avsnitt 5.

Besiktningstyp:	<input type="checkbox"/> Användare	<input type="checkbox"/> Kompetent person	Övergripande besiktningresultat:	
Besiktning utförd av:			Besiktningsdatum:	
Underskrift:			Nästa besiktning ska utföras:	
Övriga kommentarer:				

Certifieringar

Produkten överensstämmer med de nationella eller regionala standarder som anges på omslaget till dessa anvisningar. Certifiering och överensstämmelse kan vara begränsade till enskilda produktmodeller eller tillämpningar.

Se tillämpliga standarder och bestämmelser för din produkt för vidare information om certifierings- eller överensstämmelsekrav.

Användare enligt AS/NZS-standarder hänvisas till AS/NZS 1891.4 angående val, användning, underhåll och utbildningskrav.

BSI-certifierad produkt

AS/NZS 5532:2013

Licens: BMP 678539

BSI – Head Office Suite 1, Level 1, 54
Waterloo Road Macquarie Park, NSW, 2113
Australien



Global produktgaranti, begränsad gottgörelse och ansvarsfriskrivning

Garanti: Följande gäller i stället för alla garantier eller villkor, uttryckliga eller underförstådda, inklusive underförstådda garantier eller villkor om kommersiell gångbarhet eller lämplighet för ett visst ändamål.

Såvida inte annat föreskrivs i gällande lag, lämnas garanti på 3M fallskyddsprodukter beträffande fabrikationsfel gällande utförande och material under ett år från datumet för den ursprungliga köparens första installation eller användningstillfälle.

Begränsad gottgörelse: 3M reparerar eller ersätter efter skriftlig anmodan eventuell produkt som av 3M fastställts ha fabrikationsfel avseende utförande eller material. 3M förbehåller sig rätten att begära att produkten returneras till företagets anläggning för utvärdering av garantianspråk. Denna garanti omfattar inte produktskador till följd av slitage, felaktig användning, missbruk, transportskador, förbiseende av föreskriven skötsel eller andra skador utom 3M:s kontroll. 3M bedömer ensidigt produktens skick och garantialternativ.

Denna garanti avser enbart ursprunglig köpare och är den enda garanti som gäller för 3M:s fallskyddsprodukter. Kontakta 3M:s lokala kundtjänstavdelning för att få hjälp.

Ansvarsbegränsning: I den omfattning som medges av lokal lagstiftning ansvarar 3M inte för några indirekta, oförutsedda, särskilda skador eller följdskador, inbegripet, men inte begränsat till, utebliven vinst, som på något sätt är relaterade till produkterna, oavsett rättsteori.

3M™ DBI-SALA® Duvara Monte Matafora Tabanı

Kullanıcı Talimatları

Form Numarası: 5903663, Revizyon: F

Bu ürün, aşağıdaki standartlara ve düzenlemelere göre sertifikalandırılmıştır veya bunlara uygundur. Sertifikasyon ve uygunluk, bireysel ürün modelleri veya uygulamalarıyla sınırlı olabilir. Daha fazla bilgi için bkz: *Sertifikalar*.

- OSHA 29 CFR 1910.140, 1926.502
- EN 795:2012 (Tip A)
- CEN/TS 16415:2013 (Tip A)
- EN 1496:2006 (Madde 4.6)
- AS/NZS 5532:2013

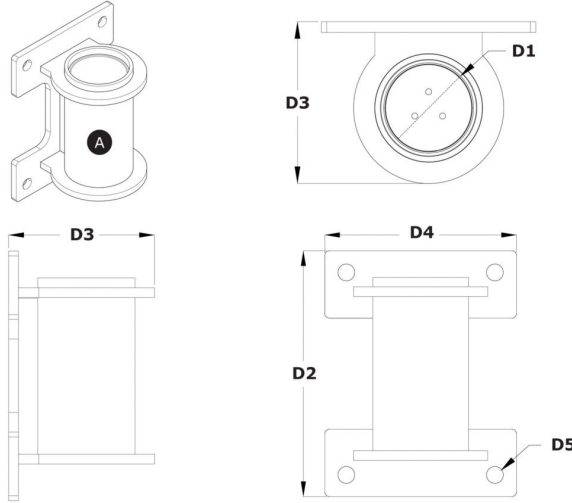
⚠WARNING:

Ürün kodlarının tanımlanması için ürün özellikleri tablolarına bakın. Daha fazla ürün bilgisi için Ürüne Genel Bakış'a bakın.

Bazı bileşenler ayrı ayrı sertifikalandırılmayabilir ve sertifika gereksinimlerini karşılamak için montaj gerektirebilir.

Şekil 1 - Ürüne Genel Bakış

Model	Stil	D1	D2	D3	D4	D5	Ürün Ağırlığı
8000101	A	10,2 cm (4,0 inç)	32,4 cm (12,75 inç)	19,0 cm (7,5 inç)	25,4 cm (10,0 inç)	22,2 mm (0,88 inç)	15,7 kg (34,0 lb)
8000102	A	10,2 cm (4,0 inç)	32,4 cm (12,75 inç)	19,0 cm (7,5 inç)	25,4 cm (10,0 inç)	22,2 mm (0,88 inç)	15,7 kg (34,0 lb)



Güvenlik Bilgileri

Lütfen bu ürünü kullanmadan önce bu talimatlarda yer alan tüm güvenlik bilgilerini okuyun, anlayın ve uygulayın. BUNUN YAPILMAMASI AĞIR YARALANMAYA VEYA ÖLÜME YOL AÇABİLİR.

Bu talimatlar, ekipmanın kullanıcılarına sağlanmalıdır. Bu kullanım kılavuzunu ileride kullanmak üzere saklayın.

Güvenlik Bilgileri

Form: 5908277, Revizyon: B

Kullanım Amacı

Bu ürün, eksiksiz bir Düşme Koruma sisteminin parçası olarak kullanılır.

Malzeme taşıma, eğlence veya sporla ilgili faaliyetler ya da bu talimatlarda açıklanmayan diğer faaliyetler dahil ancak bunlarla sınırlı kalmamak kaydıyla başka herhangi bir uygulamada kullanım 3M tarafından onaylanmamıştır ve ciddi yaralanma veya ölüme sonuçlanabilir.

Bu ürün yalnızca eğitim almış kullanıcılar tarafından iş yeri uygulamalarında kullanıma yöneliktir.

⚠ Uyarı

Bu ürün, eksiksiz bir Düşme Koruma sisteminin parçası olarak kullanılır.

Tüm kullanıcılar, eksiksiz Düşme Koruma sistemlerinin güvenli şekilde kurulması ve çalıştırması konusunda tam olarak eğitilmelidir. Bu ürünün usulüne uygun olarak kullanılmaması ağır yaralanmaya veya ölüme yol açabilir. Doğru seçim, çalıştırma, kurulum, bakım ve servis için tüm kullanım kılavuzlarına ve üretici tavsiyelerine bakın. Daha fazla bilgi için amirinizle görüşün veya 3M Teknik Servisleri ile iletişime geçin.

- **Kapalı Alan Girişi - Kurtarma Sistemi ile çalışmanın, sakınılmadığı takdirde ağır yaralanmaya veya ölüme yol açabilecek olan risklerini azaltmak için:**
 - Ürünü her kullanımdan önce ve herhangi bir düşme vakasından sonra bu talimatlarda belirtilen prosedürlere göre muayene edin.
 - Muayene sonucunda güvenli olmayan veya kusurlu bir durum olduğu tespit edilirse ürün derhal kullanımdan alınmalı ve "KULLANMAYIN" yazısıyla net bir şekilde etiketlenmelidir. Bu talimatlarda belirtilen şekilde ürünü imha edin veya onarın.
 - Herhangi bir düşme engelleme işlemi yapan veya darbe kuvvetine maruz kalan ürün, hemen hizmet dışı bırakılmalıdır. Bu talimatlarda belirtilen şekilde ürünü imha edin veya onarın.
 - Farklı üreticiler tarafından üretilmiş bileşenlerden oluşan Düşme Koruma sistemlerinin uyumlu olduğundan ve geçerli tüm Düşme Koruma düzenlemelerini, standartlarını veya gereksinimlerini karşıladığından emin olun. Bu sistemleri kullanmadan önce Yetkili veya Yetkin Kişiye danışın.
 - Ürün, yalnızca kullanım kılavuzlarında açıklandığı şekilde kurulmalıdır. Bu kullanım kılavuzlarının kapsamı dışındaki kurulumlar ve kullanımlar 3M tarafından yazılı olarak onaylanmalıdır.
 - Düşüş Koruması alt sistemlerini yalnızca üründeki belirlenmiş ankraj bağlantı noktalarına bağlayın.
 - Kurulmadan önce, kurulum yöntemlerinin ve ürünün elektrik hatlarına, gaz hatlarına ya da diğer kritik malzeme veya sistemlere engel olmayacağından emin olun.
 - Ürünün bu talimatlarda açıklandığı gibi güvenli çalışma için doğru şekilde yapılandırıldığından ve kurulduğundan emin olun.
 - Cankurtaran halatını bükmeyin, bağlamayın, düğümlemeyin ve halatta boşluk olmasına izin vermeyin.
 - Bu talimatlarda belirtilmiş izin verilen kullanıcı sayısını aşmayın.
 - Hareketli parçalar sıkışma noktaları oluşturabileceği için cihazı takarken, kullanırken ve hareket ettirirken dikkatli olun.
 - Gerekliğinde kilitleme/etiketleme prosedürlerine uyulmalıdır.
 - Taşınırken veya kurulumu yapılırken sisteme bağlanmayın.
- **Kaçınılmadığı takdirde ağır yaralanmaya veya ölüme yol açabilecek olan yüksekte çalışma ile ilgili riskleri azaltmak için:**
 - Sağlığınız ve fiziksel durumunuz, yüksek yerlerde güvenli şekilde çalışmaya ve düşme engellemesi sırasında oluşacak tüm kuvvetlere dayanmanıza olanak tanınmalıdır. Bu ekipmanı kullanıp kullanamayacağınız hakkında sorularınız varsa doktorunuza danışın.
 - Düşme Koruma ekipmanınızın izin verilen kapasitesini asla aşmayın.
 - Düşme Koruma ekipmanınız için belirtilen maksimum serbest düşme mesafesini asla aşmayın.
 - Düşmeye Karşı Koruma ekipmanı muayenede kusurlu bulunursa veya ekipmanın kullanımı ya da uygunluğu konusunda endişeleriniz varsa bu ekipmanı kullanmayın. Tüm sorularınız için müşteri hizmetlerine danışın.
 - Bazı alt sistem ve bileşen kombinasyonları, bu ekipmanın çalışmasına engel olabilir. Yalnızca uyumlu bağlantılar kullanın. Bu ekipmanı, bu talimatlarda açıklananlar dışındaki bileşenler veya alt sistemlerle birlikte kullanmadan önce 3M müşteri hizmetleri ile iletişime geçin.
 - Hareketli makineler, elektrik tehlikeleri, aşırı sıcaklıklar, kimyasal tehlikeler, patlayıcı veya zehirli gazlar, keskin kenarlar, aşındırıcı yüzeyler çevresinde ya da sizin veya Düşme Koruma donanımınızın üzerine düşebilecek olan yüksekteki malzemeler altında çalışırken ilave önlemler alın.
 - Ürününüzün çalışma ortamınızda mevcut olan tehlikelere göre sınıflandırıldığından emin olun.
 - Yüksekte çalışırken yeterli düşme açıklığının bulunmasına dikkat edin.
 - Düşmeye Karşı Koruma ekipmanınızda asla tadilat veya değişiklik yapmayın. 3M ekipmanını yalnızca 3M veya 3M tarafından yazılı olarak yetki verilmiş kişiler tamir edebilir.
 - Düşme Koruma ekipmanını kullanmadan önce, bir düşme olayı meydana geldiğinde acil kurtarma imkanı sağlamak için yazılı bir kurtarma planının hazır olduğundan emin olun.
 - Bir düşme olayı durumunda, düşen işçi için hemen tıbbi yardım isteyin.
 - Düşme Engelleme uygulamaları için yalnızca tam vücut tipi kemer takımı kullanın. Vücut kemeri kullanmayın.
 - Ankraj noktasının mümkün olduğunca doğrudan altında çalışarak sallanarak düşmeleri asgari düzeye indirin.
 - Bu ürünle eğitim yapılırken ikinci bir Düşme Koruma sistemi kullanılmalıdır. Eğitim alan kişiler, istenmeyen düşme tehlikesine maruz bırakılmamalıdır.
 - Ürünü takarken, kullanırken veya muayene ederken daima uygun Kişisel Koruyucu Ekipman kullanın.
 - Hiçbir zaman askıdaki bir yükün veya işçinin altında çalışmayın.
 - Her zaman %100 bağlı olduğunuzdan emin olun.

Ürüne Genel Bakış

Her zaman 3M kullanım kılavuzunuzun son sürümünü kullandığınızdan emin olun. Güncel kullanım kılavuzları için www.3m.com/userinstructions adresini ziyaret edin veya 3M müşteri hizmetleriyle görüşün.

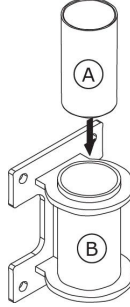
Bu ekipmanı kullanmadan önce kimlik etiketindeki ürün bilgilerini bu kılavuzun arkasındaki “Muayene ve Bakım Günlüğü”ne kaydedin.

Şekil 1'de mevcut ürün modeller gösterilmektedir. Matafora tabanları, matafora sisteminin onu yere sabitlemeye yardımcı olan kısmı olarak hizmet eder. Kullanıcı için ayarlanabilir, hareketli bir ankraj noktası görevi görürken matafora tabana sabitlenir. Sistem uygulamaları hakkında daha fazla bilgi için uyumlu matafora veya matafora sistemi için üretici talimatlarına bakın.

Şekil 2'de mevcut ürün modellerinin temel bileşenleri tanımlanmaktadır. Matafora tabanı iki parçadan oluşur: bir Gömlek (A) ve bir Matafora manşonu (B). Gömlek, güvenli bir mataforanın matafora manşonunun içinde serbestçe dönmesini sağlar. Manşon, matafora tabanını bir yapıya sabitlemek için ekli bir montaj plakası içerir.

Her ürün modeli, Şekil 1'de listelendiği şekilde kendi teknik özelliklerine sahiptir. Daha fazla bilgi için ürün teknik özellik tablolarına bakın.

Şekil 2 - Bileşenler



Ürünün Teknik Özellik Tabloları

Sistemin Teknik Özellikleri

Kullanıcı Kapasitesi:	Sistem kapasitesi hakkında daha fazla bilgi edinmek amacıyla uyumlu matafora modelleri için üretici talimatlarına bakın.
Standartlar:	Her bir ürün modeli, Şekil 1'de listelenen geçerli standartlar ve düzenlemelere göre sertifikalandırılmıştır veya bunlara uygundur. Hiçbiri belirtilmemişse kapakta listelenen tüm standartlar ve yönetmelikler geçerlidir.

Bileşen Teknik Özellikleri

Şekil 2 Referansı	Bileşen	Malzemeler
A	Astar	Yüksek Yoğunlukta Polietilen
B	Matafora Manşonu	8000101: Galvanizli Karbon Çelik
		8000102: Paslanmaz Çelik

1.0 Ürün Uygulaması

1.1 Amaç: Matafora sistemleri, Düşmeye Karşı Koruma sistemleri için mobil ankraj yapıları olarak işlev görür. Grup ve bileşenler sisteme göre değişiklik gösterir. Sistem uygulamaları hakkında daha fazla bilgi için, "Ürüne Genel Bakış" bölümüne ve kurulum veya kullanımla ilgili bölümlere bakın.

1.2 Gözetim: Bu ekipmanın kullanımı bir Yetkin Kişinin gözetiminde olmalıdır. Bu ekipmanın kurulumu bir Yetkin Kişinin gözetiminde yapılmalıdır. Bir Vasıflı Kişi, kurulumun yerel ve federal düzenlemeleri karşıladığını doğrulamalıdır. Bağlantı elemanları ve matafora tabanı yerleşimi de Vasıflı Kişi tarafından onaylanmalıdır.

1.3 Yeniden Satış ve Dağıtım: Bu ürünün orijinal varış ülkesi dışında yeniden satılması durumunda satıcı, ürünün kullanılacağı ülkenin dilinde talimatlar sağlamalıdır.

1.4 Eğitim: Bu ekipmanın, doğru uygulama konusunda eğitilmiş kişilerce kurulması ve kullanılması gerekmektedir. Bu talimatlar; ulusal, bölgesel veya yerel standartlarda zorunlu kılındığı gibi çalışanların eğitim programının bir parçası olarak kullanılacaktır. Bu talimatlar hakkında bilgi sahibi olmak, ekipmanın doğru bakım ve kullanımına ilişkin eğitim almış olmak ve işletim özellikleri, uygulama sınırlamaları ve bu ekipmanın hatalı kullanımından doğacak sonuçların farkında olmak, bu ekipmanın kullanıcıları ve kurucularının sorumluluğundadır.

1.5 Kurtarma Planı: Bu ekipmanı ve bağlantı alt sistemlerini kullanırken, işverenin yazılı bir kurtarma planı bulunmalı, bu planı uygulayacak ve kullanıcılara, yetkili kişilere, kurtarma görevlilerine iletecek olanakları olmalıdır. Eğitilmiş ve sahada hazır bekleyen bir kurtarma ekibi önerilir. Ekip üyelerine, kurtarma görevini başarıyla gerçekleştirmeleri için gereken ekipmanlar ve teknikler sağlanmalıdır. Kurtarma görevlisinin yeterliliğinden emin olmak için düzenli eğitimler verilmelidir. Kurtarma görevlilerine bu talimatlar sağlanmalıdır. Kurtarma işlemi sırasında her zaman kurtarılan kişiyle görsel temas veya iletişim kurulmasını sağlayan araçlar olmalıdır.

2.0 Sistem Gereklilikleri

2.1 Ankraj: Bu ürünü sabitleyen ankraj yapısı, Düşüş Koruması sisteminin izin verdiği ölçüde gerekli her türlü yüke dayanabilmelidir. Daha fazla bilgi için Bölüm 4'e bakın.

2.2 Kapasite: Eksiksiz bir Düşüş Koruması sisteminin kullanıcı kapasitesi, en düşük dereceli maksimum kapasiteye sahip bileşenle sınırlıdır. Örneğin, bağlantı alt sisteminizin kapasitesi kemerinizden daha düşükse bağlantı alt sisteminizin kapasite gerekliliklerine uymaz gerekir. Kapasite gereklilikleri için sisteminizin her bir bileşeniyle ilgili üretici talimatlarına bakın.

2.3 Çevresel Tehlikeler: Bu ekipman çevresel tehlikelerin bulunduğu alanlarda kullanılırken kullanıcının yaralanması veya ekipmanın zarar görmesini engellemek için ek önlemler alınmalıdır. Tehlikeler aşağıdakileri içerebilir ancak bunlarla sınırlı değildir: yüksek ısı, kimyasallar, aşındırıcı ortamlar, yüksek gerilim hatları, patlayıcı veya zehirli gazlar, hareket eden makineler, keskin kenarlar ya da düşerek kullanıcıya veya ekipmana temas edebilecek baş üstü düzeydeki malzemeler. Daha fazla açıklama için 3M müşteri hizmetleri ile iletişime geçin.

2.4 YAŞAM HATTI TEHLİKELERİ: Yaşam hattının şunlar dahil ancak bunlarla sınırlı kalmamak kaydıyla tüm tehlikelerden uzak tutulduğundan emin olun: kullanıcılarla, diğer işçilerle, hareketli makinelerle, çevredeki diğer nesnelere dolanma ya da yüksekteki nesnelere yaşam hattının veya kullanıcıların üzerine düşerek yol açacağı darbe.

2.5 Bileşen Uyumluluğu: 3M ekipmanları, 3M ekipmanlarıyla kullanılmak üzere tasarlanmıştır. 3M ürünü olmayan ekipmanlarla kullanım Yetkili Kişi tarafından onaylanmalıdır. 3M ekipmanı yerine onaylanmamış ekipman kullanılması, ekipman uyumluluğunu tehlikeye atabilir ve Düşmeye Karşı Koruma sisteminizin emniyeti ile güvenilirliğini etkileyebilir. Her ekipmanı kullanmadan önce ilgili tüm talimatları ve uyarıları okuyup bunlara uyun.

2.6 Bağlantı Uyumluluğu: Bağlantılar, herhangi bir bileşenin boyutu ve şekli yönünden bağımsız olarak bağlantının yanlışlıkla açılmasına neden olmadığında bağlantı elemanlarıyla uyumludur. Konnektörler geçerli standartlara uygun olmalıdır. Konnektörler kullanım sırasında tamamen kapalı ve kilitli olmalıdır.

3M Konnektörler (yaylı kancalar ve karabinalar) yalnızca her ürünün kullanıcı kılavuzunda belirtilen şekilde kullanılmak için tasarlanmıştır. Bağlantıların bağlı oldukları sistem bileşenleriyle uyumlu olduklarından emin olun. Uyumlu olmayan ekipmanları kullanmayın. Uyumlu olmayan bileşenlerin kullanılması, bağlantının istenmeden ayrılmasına neden olabilir. Referans olarak Şekile göz atın. Bir bağlantının bağlı olduğu bağlantı elemanı gerekenden daha küçük boyutlu veya bozuk şekilli olduğu takdirde, bağlantı elemanının bağlantı (A) kapağına kuvvet uyguladığı bir durum ortaya çıkabilir. Bu kuvvet daha sonra kapının açılmasına (B) neden olarak bağlantıyı bağlantı elemanından (C) ayırabilir.

2.7 Bağlantıların Yapılması: Tüm bağlantılar boyut, şekil ve dayanım açısından uyumlu olmalıdır. Uygun olmayan bağlantı örnekleri için Şekile göz atın. Yaylı kancalar ve karabinaların bağlanması ile ilgili olarak aşağıdakileri dikkate alın:

1. Yaylı kancalar ve karabinalar, başka bir bağlantının bağlı olduğu D Halkasına bağlanmamalıdır.

2. Yaylı kancalar ve karabinalar, kapakta bir yüklenmeye sebep olacak şekilde bağlanmamalıdır. Geniş boğazlı yaylı kancalar, yaylı kancanın kapı mukavemeti 16 kN (3.600 lbf) veya daha fazla olmadığı sürece D Halkalarına veya diğer bağlantı elemanlarına bağlanmamalıdır.
3. Yaylı kancalar ve karabinalar, konektörün veya bağlantı elemanının boyutunun ya da şeklinin uyumlu olmadığı ve görsel doğrulama yapılmadan tam olarak oturmuş gibi görüldüğü yanlış bağlantılarda kullanılmamalıdır.
4. Yaylı kancalar ve karabinalar birbirine bağlanmamalıdır.
5. Yaylı kancalar ve karabinalar, üreticinin talimatlarında böyle bir bağlantıya açıkça izin verilmediği sürece doğrudan kemer ağına, güvenlik halatı ayak malzemesine veya arka bağlantı malzemesine bağlanmamalıdır.
6. Yaylı kancalar ve karabinalar, boyutu veya şekli konektörün tamamen kapanmasına ve kilitlemesine izin vermeyen ya da konektörün dışarı yuvarlanmasına neden olabilecek herhangi bir nesneye bağlanmamalıdır.
7. Yaylı kancalar ve karabinalar, bağlantının yük altında düzgün şekilde hizaya giremeyeceği bir tarzda bağlanmamalıdır.

Şekil 3 - Bağlantı Uyumluluğu			Şekil 4 - Bağlantıların Yapılması						
A	B	C	A.	B.	C.	D.			
			E.	F.	G.				

3.0 Montaj

3.1 Genel Bakış: Bir matafora sistemi kurmak, birden fazla adımdan oluşan uzun bir prosedür olabilir. Çalışma sahanızı ve ekipmanınızı etkili şekilde planlamak ve bunlar hakkında bilgi sahibi olmak bu işlemin mümkün olduğunca sorunsuz ilerlemesine çok yardımcı olur.

3.2 Planlama: İşe başlamadan önce Düşüş Koruması sisteminizi planlayın. Düşüş öncesinde, esnasında ve sonrasında güvenliğinizi etkileyebilecek tüm faktörleri dikkate alın. Bu talimatlarda belirtilen tüm gereklilikleri ve sınırlamaları göz önünde bulundurun.

- 1. Keskin Kenarlar:** Sistem bileşenlerinin korumasız keskin kenarlar veya aşındırıcı yüzeylerle temas halinde olabileceği veya bunlara sürtünebileceği yerlerde çalışmaktan kaçınınız. Tüm keskin kenarlar ve aşındırıcı yüzeylerin üzeri koruyucu malzeme ile kapatılmalıdır.
- 2. Uyumluluk:** Sisteminizi kurarken uyumlu bileşenler kullanmanız önemlidir. Her ürün modeli, belirli bir ürün modeli veya tasarım grubuyla kullanım için uyumludur.

Matafora tabanı, listelenen mataforalarla uyumlu herhangi bir matafora direği uzantısını da alabilir.

Uyumlu Matafora Modelleri	Matafora Kullanıcı Talimatı
8000107	5908417
8000108	5908417
8000130	5908364
8000131	5908364

3.3 Matafora Tabanının Takılması: Matafora tabanını ürün modeliniz için sağlanan talimatlara göre kurun.

Ankraj yapısının yüzeyi, matafora tabanını monte etmeden önce herhangi bir kalıntıdan arındırılmalıdır.

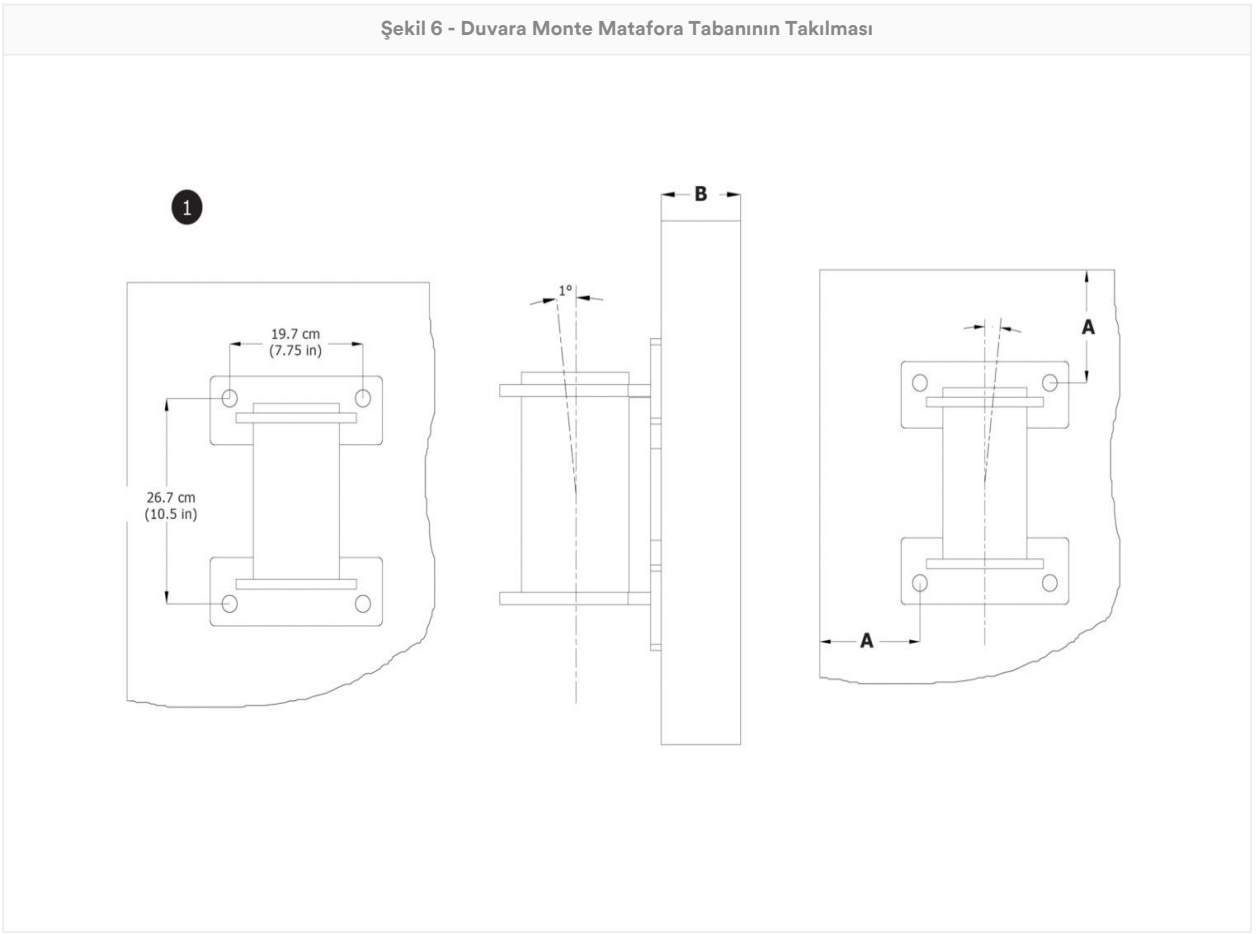
A. Duvara Monteli Matafora Tabanı: Matafora tabanı kullanımdan önce hazırlanmalıdır.

- 1. Konumu hazırlayın.** Matafora tabanını monte etmek için uygun bir montaj yüzeyi seçin, ardından tabanın nereye kurulması gerektiğini belirleyin. Yapınızın ve sisteminizin mukavemet gereksinimlerini desteklemek için kenardan (A) yeterli mesafe ve malzeme kalınlığı (B) olmalıdır. Tüm montaj deliklerini işaretleyin ve daha sonra tespit elemanı üreticisinin önerdiği çap ve derinliğe göre açın.

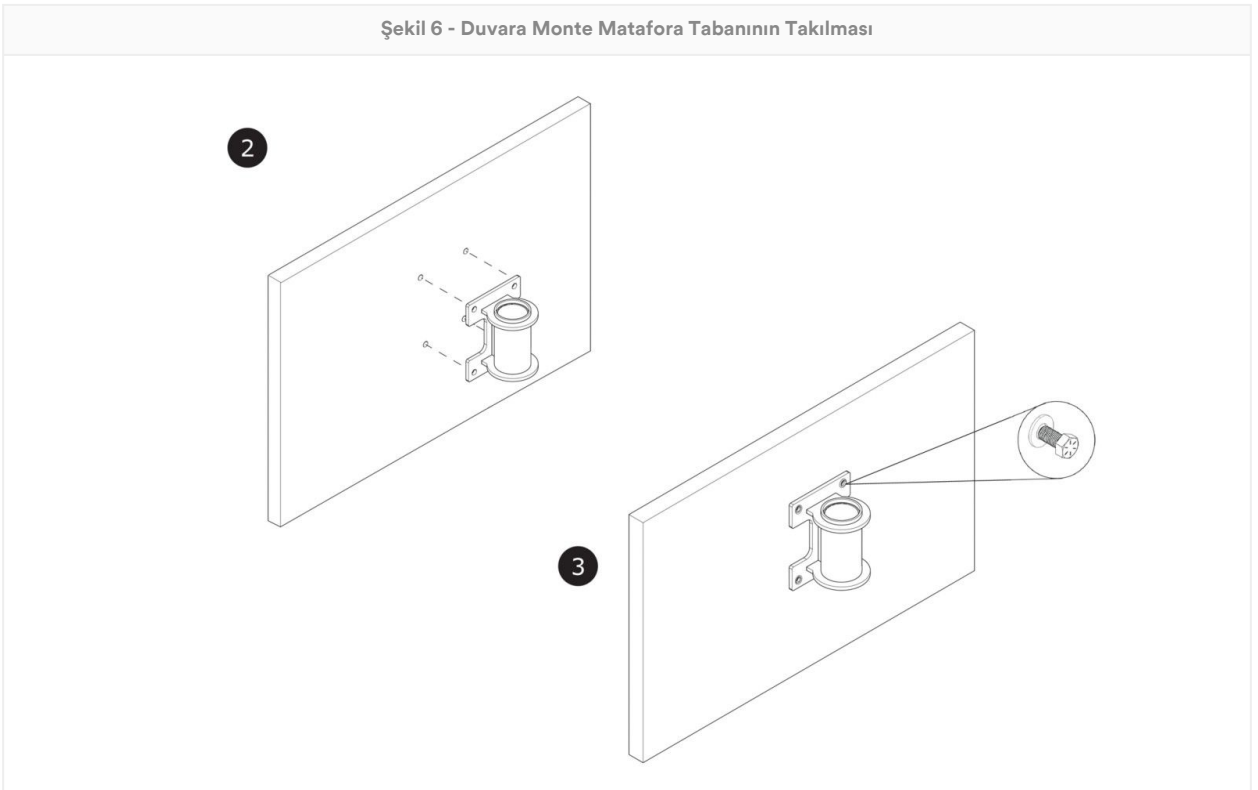
Matafora tabanı düz, dikey bir yüzeye monte edilmelidir.

- 2. Matafora tabanını yerleştirin.** Montaj plakasındaki delikleri delinmiş deliklerle hizalayın. Matafora tabanı dikeyden artı veya eksi 1 derece içinde konumlandırılmalıdır.
- 3. Matafora tabanını sabitleyin.** Matafora tabanını, bağlantı elemanı üreticisinin talimatlarında belirtildiği gibi seçilen bağlantı elemanlarını kullanarak sabitleyin.

Şekil 6 - Duvara Monte Matafora Tabanının Takılması



Şekil 6 - Duvara Monte Matafora Tabanının Takılması



3.4 Mataforayı Sabitleme: Matafora tabanı kurulduktan sonra, kullanıcı davit kol veya direği tabana sabitleyebilir. Matafora, kullandığınız matafora tabanı için geçerli olduğu gibi, montaj direğine veya matafora tabanının manşonunun içine sabitlenmelidir. Mataforanın sabit olduğunu ve herhangi bir kılavuzun veya kilitleme piminin uygun şekilde kullanıldığını doğrulayın. Daha fazla bilgi için matafora veya matafora sisteminizin üretici talimatlarına bakın.

4.0 Kullanım

4.1 Her Kullanımdan Önce: Çalışma alanınızın ve Düşüş Koruması sisteminizin bu talimatlarda belirtilen tüm kriterleri karşıladığını doğrulayın. Resmi bir Kurtarma Planının mevcut olduğunu doğrulayın. Ürünü, "Muayene ve Bakım Günlüğü"nde belirtilen "Kullanıcı" muayene hususları uyarınca muayene edin. Muayene sonucunda güvenli olmayan veya kusurlu bir durumun ortaya çıkması veya güvenli kullanım koşuluyla ilgili olarak herhangi bir şüphe oluşması durumunda ürünü derhal hizmet dışına alın. Ürünü net görünür bir biçimde "KULLANMAYIN" şeklinde etiketleyin. Daha fazla bilgi için Bölüm 5'e bakın.

4.2 Ankraj: Ürün kapasitesinin yanı sıra herhangi bir düşüş koruma sistemi, destekleyici yapıların veya bileşenlerin dayanımını dikkate almalıdır.

1. **Ankraj Yapısı:** Bu ürünü sabitleyen ankraj yapısı, bu ürünün düşüş koruma sisteminin izin verdiği ölçüde gerekli her türlü yüke dayanabilmelidir.

Moment Yüğü	136,400 inç-lb. (15,41 kN*m)
-------------	------------------------------

2. **Ankraj Bağlantı Noktaları:** Ürünle birlikte kullanılan ankraj bağlantı noktaları, ürünün uyguladığı her türlü yüke dayanabilmelidir.
3. **Bağlantı Elemanları:** Ürünü yerine sabitleyen herhangi bir bağlantı elemanı, kullanım sırasında ürünü sabit tutacak kadar güçlü olmalıdır. Daha fazla bilgi için bağlantı elemanları üreticisi talimatlarına bakın.

Mekanik Bağlantı Elemanı Çekme Kuvveti	8,000 lbf (35,59 kN)
Bağlantı Elemanı Başına Kesme Mukavemeti	5,000 lbf (22.2 kN)

4.3 Bir Düşme Sonrasında: Bu ekipman düşüş önleme veya darbe kuvvetine maruz kalırsa ekipmanı derhal kullanımdan kaldırın. Ürünü net görünür bir biçimde "KULLANMAYIN" şeklinde etiketleyin. Daha fazla bilgi için Bölüm 5'e bakın.

4.4 Malzeme Taşıma: 3M, bu ürünün belirtildiği şekilde malzeme taşıma amaçlı kullanılmasına izin verir. Yerel yönetmelikler veya standartlar ek kısıtlamalar içerebilir veya malzeme taşıma için düşüş koruma ekipmanının kullanımını düzenleyebilir.

⚠CAUTION:

Bu ürünün malzeme taşıma amaçlı kullanılabilmesi için uyumlu bir matafora ile kullanılması gerekir. Asla bir malzeme yükünü doğrudan matafora tabanına sabitlemeyin.

Malzeme yükünüzü emniyete almadan önce, nakliye için hazırlandığını doğrulayın.

Bu ürünü asla malzemelere ve kullanıcılara aynı anda sabitlemeyin.

Malzeme taşıma için kullanılan ürün, bir sonraki kullanımdan önce Yetkin Kişi tarafından kontrol edilmelidir. Yerel düzenlemeler veya standartlar, personel kullanımı ile malzeme kullanımı arasında geçiş yapmayı kısıtlayabilir.

1. **Mataforayı sabitleyin.** Mataforayı, kullanım talimatlarında belirtildiği gibi matafora tabanına sabitleyin.
2. **Mataforaya bağlanan bir alt sistemi sabitleyin.** Daha fazla bilgi için matafora tabanınızın ve mataforanızın üretici talimatlarına bakın.
3. **Yaşam hattını malzeme yükünüze sabitleyin.** Malzeme yükünü gerektiği gibi indirin veya yükseltin.

Malzeme Taşıma Kapasitesi

340 kg (750 lb)

5.0 Muayene

Ekipman kullanım dışı bırakıldıktan sonra bir Yetkili Kişi ekipmanın tekrar hizmete alınabileceğini yazılı olarak onaylayana kadar ekipman kullanılamaz.

5.1 Muayene Sıklığı: Ürün, her kullanımdan önce kullanıcı tarafından ve buna ek olarak kullanıcı dışında bir Yetkin Kişi tarafından aşağıda belirtilen aralıklarla muayene edilmelidir. Daha yüksek ekipman kullanım sıklığı ve daha zorlu koşullar, Yetkili Kişi muayenelerinin sıklığının artırılmasını gerektirebilir. Bu muayenelerin sıklığı, çalışma sahasının özel koşullarına göre Yetkin Kişi tarafından belirlenmelidir.

Geçerli Standart veya Bölge	Yetkin Kişi Muayenelerinin Gerekli Sıklığı
ANSI ve OSHA	Yılda bir kez
EN Standartları	Yılda bir kez
AS/NZS	Yılda bir kez

5.2 Muayene Prosedürleri: Bu ürünü "Muayene ve Bakım Günlüğü"nde listelenen prosedürlere göre muayene edin. Her muayenenin belgeleri bu ekipmanın sahibi tarafından saklanmalıdır. İnceleme ve bakım günlüğü ürünün yanına yerleştirilmeli veya kullanıcılar tarafından kolayca erişilebilir olmalıdır. Bu ürün üzerinde bir sonraki veya son inceleme tarihinin belirtilmesi önerilir.

5.3 Kusurlar: Ürün, mevcut bir kusur veya güvenilir olmayan bir durum nedeniyle kullanılmıyorsa ürünün imha edilmesi veya onarım için 3M'e ya da bir 3M yetkili hizmet merkezine gönderilmesi gerekir.

5.4 Ürünün Ömrü: Ürünün çalışma ömrü, çalışma koşullarına ve bakıma göre belirlenir. Ürün, muayene ölçütlerini geçtiği sürece kullanımda kalabilir.

6.0 Bakım, Saklama ve Onarım

Bakıma ihtiyacı olan veya bakım yapılması planlanmış ekipman "KULLANMAYIN" etiketi ile etiketlenmelidir. Bu ekipman etiketleri bakım yapılmaya kadar çıkarılmamalıdır.

6.1 Temizlik: Ürünün metal bileşenlerini ılık su ve hafif sabun çözeltisi kullanarak periyodik olarak temizleyin. Ürünü temiz suyla durulayın, ardından kurumaya bırakın. Daha fazla bilgi için lütfen web sitemizdeki teknik bültene bakın: <https://www.3M.com/FallProtection/Mechanical-Device-Cleaning>

6.2 Onarım: Bu ekipmanı yalnızca 3M veya 3M tarafından yazılı olarak yetki verilmiş taraflar onarabilir.

6.3 Saklama ve Taşıma: Ürünü doğrudan güneş ışığından uzak, serin, kuru ve temiz bir ortamda saklayın ve taşıyın. Kimyasal buharların bulunabileceği alanlardan uzak durun. Uzun süreli saklama sonrasında bileşenleri kapsamlı olarak muayene edin.

Kalıcı olarak kurulan tabanlar çalışma yerinden ayrılmamalıdır. Depolama veya taşıma için bu tabanlardan başka bileşenler çıkarılabilir ancak tabanın kalması gerekecektir.

⚠️WARNING:

Sıcak ve aşırı soğuk ortamlar arasındaki ani geçişler ekipmanınızın performansını etkileyebilir. Mekanik cihazlar (geri sarımlı cihazlar, vinçler, geri alma cihazları, tırmanma manşonları vb. gibi), çalışma ortamına benzer sıcaklıklarda saklanarak aşırı soğuk veya sıcakta kullanıma uygun hale getirilmelidir. Çalışma ortamında kullanmadan önce daima ekipmanınızı kontrol edin.

7.0 Etiketler ve İşaretler

7.1 Özet: "Ürün Etiketleri" şekli, ürün üzerinde bulunan etiketleri ve işaretleri gösterir. Her etiket ve işaretle sağlanan bilgilerin özeti için aşağıya bakın.

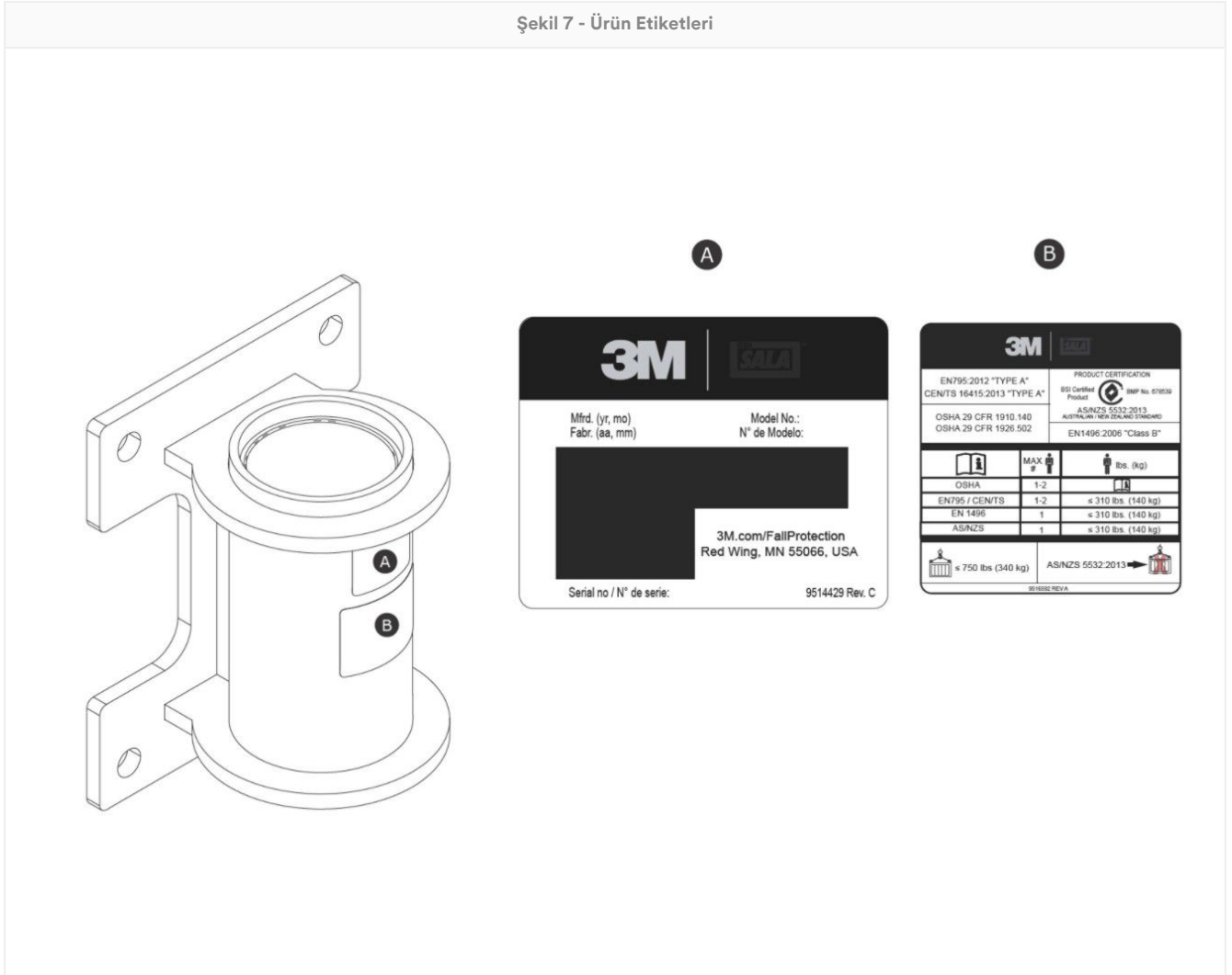
NOTICE:

Etiket resimleri temsili olarak sunulmaktadır. Ürünüze ait bilgiler için lütfen kendi ürün etiketlerinize bakın.

Eksik veya hasarlı etiketlerin değiştirilmesi gerekir. Tüm etiketler tamamen okunur olmalıdır.

A	Ürün Teknik Özellikleri Etiketi
B	Kimlik Etiketi

Şekil 7 - Ürün Etiketleri



Sözlük

Tanımlar: Bu talimatlarda aşağıdaki terimler ve tanımlar kullanılmıştır:

Kapsamlı bir terim ve tanım listesi için lütfen web sitemizi ziyaret edin: www.3m.com/FallProtection/ifu-glossary

- **Yetkili Kişi:** İşveren tarafından kişinin düşme tehlikesiyle karşı karşıya olacağı bir yerdeki görevleri yerine getirmesi için atanmış kişi.
- **Yetkili Kişi:** Etraftaki veya çalışma koşullarındaki çalışanlar için sağlıksız, zararlı ya da tehlikeli olabilecek mevcut veya öngörülebilir riskleri belirleyebilen ve bunları ortadan kaldırmak üzere acil düzeltici önlemler alma yetkisi bulunan kişi.

- **Düşme Önleme Sistemi:** Düşme durumunda kişiyi korumak için yapılandırılmış Düşme Koruması ekipmanları grubu.
- **Kalifiye Kişi:** Geçerliliği olan bir üniversite diplomasına, sertifikaya veya profesyonel pozisyona sahip ya da derin bilgi birikimi, eğitim ve tecrübesiyle Düşme Koruması ve Kurtarma sistemleriyle ilgili sorunları yürürlükteki ulusal, bölgesel ve yerel yönetmeliklerin gerektirdiği şekilde çözüp ortadan kaldıracabileceğini başarıyla göstermiş kişidir.
- **Kurtarma Sistemi:** Bir kişiyi tehlikelerden uzak tutarak güvenli bir konuma taşımak için yapılandırılmış Düşme Koruması ekipmanları grubu. Serbest düşüşe izin verilmez.
- **Kurtarma Görevlisi:** Destekli bir kurtarma yapmak için Kurtarma sistemini kullanan kişi.
- **Bağ Sistemi:** Kullanıcıyı düşme tehlikesinden korumak için yapılandırılmış Düşme Koruması ekipmanları koleksiyonu. Serbest düşüşe izin verilmez.
- **Kullanıcı:** Düşme Koruması sistemi tarafından korunurken faaliyetler gerçekleştiren bir kişi.
- **Çalışma Konumlandırma Sistemi:** Bir kullanıcıyı çalışma konumunda desteklemek için yapılandırılmış Düşme Koruması ekipmanları grubu.

Muayene ve Bakım Günlüğü

Her muayene için bu tablonun bir kopyası kullanılmalıdır. Bilgileri aşağıya kaydedin.

Üretici: 3M Düşme Koruması departmanı

Model Numarası (Seri Numarası):

Satın Alma Tarihi:

İlk Kullanım Tarihi:

Bu ürün, her kullanımdan önce kullanıcı tarafından muayene edilmelidir. Ek olarak, kullanıcı dışında bir Yetkin Kişi bu ekipmanı Bölüm 5'te belirtilen aralıklarla incelemelidir.

Bileşen	Muayene Prosedürü	Muayene Sonucu (Başarılı veya Başarısız)
Ürün (Şekil 2)	Matafora sistemini hasar, deformasyon, korozyon ve pas açısından inceleyin. Sistemin gücünü ve çalışmasını etkileyebilecek çatlak, kıvrım, oyuk veya aşınma olup olmadığına bakın. Korozyon kontrolü yaparken, ankraj cihazını, sabitlemelerini veya bağlantı elemanlarını ve ankraj cihazının sabitlendiği yapıyı da incelemelisiniz.	
	Tüm bağlantı elemanlarında hasar veya korozyon olup olmadığını kontrol edin. Gerekirse sıkın.	
	Tüm hareketli parçaları, çalışma sırasında arızaya neden olabilecek çentik, çatlak, kırık veya aşınmış alanlar açısından inceleyin.	
Etiketler	Tüm etiketler mevcut ve tamamen okunaklı olmalıdır.	
Düşme Koruması Ekipmanları	Ürünle birlikte kullanılan ek Düşüş Koruma ekipmanı, üretici talimatlarına göre kurulur ve denetlenir. Ürünlerinizin her biri için mukavemet derecesinin, amaçlanan uygulama için uyumlu ve yeterli olduğunu doğrulayın.	

Ürün Muayenesinin Özeti

Ürün bir muayene prosedüründen geçemezse ürün genel muayeneden geçemez. Ürün muayeneden geçemezse ürünü derhal hizmet dışına alın. Ürünü net görünür bir biçimde "KULLANMAYIN" şeklinde etiketleyin. Daha fazla bilgi için Bölüm 5'e bakın.


Muayene Türü:	<input type="checkbox"/> Kullanıcı	<input type="checkbox"/> Yetkin Kişi	Genel Muayene Sonucu:	
Muayene Eden:	Muayene Tarihi:			
İmza:	Sonraki Denetleme Tarihi:			
Ek Notlar:				

Sertifikalar

Ürününüz, bu talimatların ön kapağında belirtilen ulusal veya bölgesel standartlara uymaktadır. Sertifika ve uygunluk, bireysel ürün modelleri veya uygulamalarıyla sınırlı olabilir.

Sertifika veya uygunluk gereklilikleri hakkında daha fazla bilgi için ürününüz hakkında listelenen geçerli standartlara ve düzenlemelere bakın.

AS/NZS standartları kapsamındaki kullanıcılar, seçim, kullanım, bakım ve eğitim gereksinimleri için AS/NZS 1891.4'e başvurmalıdır.

BSI Sertifikalı Ürün AS/NZS 5532:2013 Lisans: BMP 678539	BSI - Head Office Suite 1, Level 1, 54 Waterloo Road Macquarie Park, NSW, 2113 Avustralya	
--	---	---

Küresel Ürün Garantisi, Sınırlı Çözüm ve Sorumluluğun Sınırlandırılması

Garanti: Aşağıdakiler, ticarete elverişlilik veya belirli bir amaca uygunluğa ilişkin zımnî garantiler veya koşullar da dahil olmak üzere, açık veya zımnî her türlü garanti veya koşulun yerine geçer.

Yerel yasalar aksini belirtmediği müddetçe, 3M düşmeye karşı korumalı ürünler, montaj tarihi veya orijinal sahibin ilk kullanım tarihinden itibaren bir yıl süreyle işçilik ve malzeme yönünden fabrika kusurlarına karşı garantilidir.

Sınırlı Çözüm: 3M'ye yapılan yazılı bildirim üzerine, 3M işçilik veya malzemeler açısından fabrika kusuruna sahip olduğunu belirlediği herhangi bir ürünü onarabilir veya yenisiyle değiştirebilir. 3M, garanti iddialarının değerlendirilmesi amacıyla ürünün tesisine iade edilmesini şart koşabilir. Bu garanti; yıpranma, istismar, kötüye kullanım, taşıma sırasında hasar, ürünün bakımının yapılmamasından kaynaklanan ürün hasarını ya da 3M'nin kontrolü dışındaki diğer hasarları kapsamaz. 3M, ürünün durumu ve garanti seçenekleri konusunda yegâne takdir sahibi olacaktır.

Bu garanti, yalnızca orijinal satın alma işleminin alıcısı için geçerlidir ve 3M'nin düşüş koruması ürünleri için geçerli olan yegâne garantidir. Destek için lütfen bölgenizdeki 3M müşteri hizmetleri bölümü ile irtibata geçin.

Sorumluluğun Sınırlandırılması: Yerel yasaların izin verdiği ölçüde, 3M, ileri sürülen yasal kurama bakılmaksızın ürünlerle ilgili herhangi bir şekilde kar kaybı dahil ancak bununla sınırlı olmamak üzere dolaylı, arızı, özel veya sonuç olarak ortaya çıkan zararlardan sorumlu değildir.

Global Product Warranty, Limited Remedy, and Limitation of Liability

Warranty: The following is made in lieu of all warranties or conditions, express or implied, including the implied warranties or conditions of merchantability or fitness for a particular purpose.

Unless otherwise provided by local laws, 3M fall protection products are warranted against factory defects in workmanship and materials for a period of one year from the date of installation or first use by the original owner.

Limited Remedy: Upon written notice to 3M, 3M will repair or replace any product determined by 3M to have a factory defect in workmanship or materials. 3M reserves the right to require product be returned to its facility for evaluation of warranty claims. This warranty does not cover product damage due to wear, abuse, misuse, damage in transit, failure to maintain the product or other damage beyond 3M's control. 3M will be the sole judge of product condition and warranty options.

This warranty applies only to the original purchaser and is the only warranty applicable to 3M's fall protection products. Please contact 3M's customer service department in your region for assistance.

Limitation of Liability: To the extent permitted by local laws, 3M is not liable for any indirect, incidental, special or consequential damages, including but not limited to loss of profits, in any way related to the products regardless of the legal theory asserted.



3M.com/FallProtection

Contact Information		
<p>USA 3833 SALA Way Red Wing, MN 55066-5005 Toll-Free: 800.328.6146 Phone: 651.388.8282 3Mfallprotection@mmm.com</p>	<p>United Kingdom 3M Centre Cain Road Bracknell, RG12 8HT Phone: 0870 60800 60 www.3M.co.uk/construction</p>	<p>Singapore Yishun Avenue 7 Singapore 768923 Phone: +65-6450 8888 TotalFallProtection@mmm.com</p>
<p>Canada 600 Edwards Blvd, Unit #2 Mississauga, ON L5T 2V7 Phone: 905.795.9333 Toll-Free: 800.387.7484 3Mfallprotection-ca@mmm.com</p>	<p>Slovakia Capital Safety Group - Banská Bystrica, s.r.o. Jegorovova 35 974 01 Banská Bystrica Slovak Republic Phone: + 421 (0)47 00 330 informationfallprotection@mmm.com</p>	<p>China Main Office: 38/F, Maxdo Center, 8 Xing Yi Rd Shanghai 200336, P R China Phone: +86 21 62753535 3MFallProtection-CN@mmm.com Manufacturing: 3M Material Technology Co., Ltd No. 9, 2nd Nan Xiang Road Science City, Guangzhou, 510663 Phone: +86 20 32113535</p>
<p>Brazil Rodovia Anhanguera, km 110 Sumaré - SP CEP: 13181-900 Brasil Phone: 0800-013-2333 falecoma3m@mmm.com</p>	<p>Australia and New Zealand Building A, 1 Rivett Road North Ryde NSW 2113 Australia Toll-Free : 1800 245 002 (AUS) Toll-Free : 0800 212 505 (NZ) 3msafetyaucs@mmm.com</p>	<p>Korea 3M Korea Ltd 18F, 82 Uisadang-daero, Yeongdeungpo-gu, Seoul Phone: +82-80-033-4114 3msupport.kr@mmm.com</p>
<p>Mexico Av. Santa Fe No. 190 Col. Santa Fe, Ciudad de Mexico CP 01219, Mexico Phone: 01 800 120 3636 3msaludocupacional@mmm.com</p>		<p>Japan 3M Japan Ltd 6-7-29, Kitashinagawa, Shinagawa- ku, Tokyo Phone: +81-570-011-321 psd.jp@mmm.com</p>



Declaration of Conformity (European Union and United Kingdom):

3M.com/FallProtection/DOC