



SCOTT™
Fire & Safety

Product Catalog



Product Listing





Table of Contents

Self-Contained Breathing Apparatus (SCBA)	
NFPA SCBA	
3M™ Scott™ Air-Pak™ XD SCBA	5
3M™ Scott™ Air-Pak™ X3 Pro SCBA	6
3M™ Scott™ EZ-Scape Pro Firefighter Escape Belt	7
SCBA Accessories	7
3M™ Scott™ X3-21 Pro SCBA	8-9
NIOSH SCBA	
3M™ Scott™ Air-Pak™ 75i SCBA	10
3M™ Scott™ Industrial SCBA	11-13
3M™ Scott™ ACSi SCBA	14-16
Cylinders	
3M™ Scott™ SCBA Cylinders	17-18
Cylinder Accessories	19
Facepieces	
3M™ Scott™ Vision C5 Facepiece with E-Z Flo C5 Regulator	20-22
3M™ Scott™ AV-3000 HT Facepiece	23-25
3M™ Scott™ AV-3000 SureSeal Facepiece	26-28
3M™ Scott™ Weld-O-Vista Facepiece	29-31
Voice Communications	
3M™ Scott™ Vision C5 Facepiece with Radio Direct Interface	32-33
3M™ Scott™ EPIC 3 Voice Communications	34-35
SCBA Telemetry and Software Solutions	
3M™ Scott™ Monitor Pro Telemetry Software Solution	36
Search and Rescue	
Thermal Imagers	
3M™ Scott™ V320 Thermal Imager	38
3M™ Scott™ Sight In-Mask Thermal Imager	39-40
Firefighter Location	
3M™ Scott™ Pak-Tracker Firefighter Locator System	41
Rapid Intervention	
3M™ Scott™ RIT-Pak Fast Attack Emergency Air Supply	42
3M™ Scott™ RIT-Pak III Emergency Air Supply	43

Respiratory	
Cartridges, Canisters, Filters and Adapters	
3M™ Scott™ AV-632 Bayonet Adapter	44
3M™ Particulate Filters and Cartridges	45-46
3M™ Scott™ 40 mm Cartridges, Canister and Filters	46
Fit Testing Kits and Accessories	
3M™ Qualitative Fit Test Kit	47
Powered and Supplied-Air	
3M™ Scott™ C420 Plus CBRN Powered Air-Purifying Respirator	48-49
3M™ Scott™ Ska-Pak AT Supplied-Air Respirator	50-52
3M™ Scott™ Ska-Pak Plus Supplied-Air Respirator	53-55
3M™ Scott™ Ska-Pak Supplied-Air Respirator	56-58
3M™ Scott™ E-Z Airline Supplied-Air Respirator	59-61
3M™ Scott™ Mobile Air Cart	62
3M™ Scott™ TRC-1 Air Cart	62
Emergency Escape	
3M™ Scott™ ELSA Emergency Escape Breathing Device (EEBD)-N	63



Self-Contained Breathing Apparatus (SCBA)



3M™ Scott™ Air-Pak™ XD SCBA

NFPA 1981/1982, 2018 Edition

Built-to Specification Configurator

SCBA Model	SCBA Belt Type (select one number from both columns)		Pressure (psig)	Belt Type	Accessory Pouch	Regulator ③	EBSS	Airline Option	Spare Harness ②	Console <small>Includes the HUD for all configurations.</small>	Case ①	Packaging
	Harness											
A Air-Pak XD	1 Padded, Parachute Buckles	4	4500	0 Standard	2 None	1 E-Z Flo+, Continuous Hose	0 None	0 None	5 No	3 Pak-Tracker	0 None	3 1 SCBA per Box (Black)
	2 Padded, Spring Clips	5	5500			3 E-Z Flo C5, Continuous Hose	3 UEBSS		B SEMS 3.0	4 2 SCBA per Box (black)		
	3 Unpadded, Parachute Buckles					5 E-Z Flo+, Quick Disconnect Hose, Rectus						
	4 Unpadded, Spring Clips					6 E-Z Flo C5, Quick Disconnect Hose, Rectus						

1. Catalog Number:
Select a one digit number per box from the chart above that corresponds to your choice.

X8	X	X	X	X	X	X	X	X	X	X	X	X
----	---	---	---	---	---	---	---	---	---	---	---	---

- ① Case option must be ordered separately.
- ② Spare harness option must be ordered separately.
- ③ When selecting the E-Z Flo C5 regulator, you must also choose the Vision C5 facepiece for compatibility.

Example

Air-Pak XD SCBA
Padded Harness with Parachute Buckles, 5500 psig, Standard Waist Belt, E-Z Flo+ Regulator with Quick Disconnect Hose, UEBSS, SEMS 3.0, Shipped (1) per Box (black)

X8	A	1	5	0	2	5	3	0	5	B	0	3
----	---	---	---	---	---	---	---	---	---	---	---	---

This configurator is a guide to 3M™ Scott™ Air-Pak™ XD SCBA catalog numbers certified to the NFPA 1981, 2018 Edition Standard.

Self-Contained Breathing Apparatus (SCBA)



3M™ Scott™ Air-Pak™ X3 Pro SCBA

NFPA 1981/1982, 2018 Edition

Built-to Specification Configurator

SCBA Model	Harness	Pressure (psig)	SCBA Belt Type (select one number from both columns)		Accessory Pouch	Regulator ④	EBSS	Airline Option	Spare Harness ⑤	Console <small>Price includes the HUD for all configurations</small>	Case ②	Packaging ③
			Belt Type	Accessories								
8 Air-Pak X3 Pro (CGA)	1 Padded, Parachute Buckles	2 2216	0 Standard	2 None		1 E-Z Flo+, Continuous Hose	0 None	0 None	1 Yes (UEBSS)	3 Pak-Tracker	0 None	3 1 SCBA per Box
9 Air-Pak X3 Pro (Snap-Change)		4 4500	N EZ-Scape Pro Firefighter Escape Belt (Fixed)	G Hip Pouch (No Hardware)		3 E-Z Flo C5, Continuous Hose	3 UEBSS		2 Yes	A SEMS II Pro		4 2 SCBA per Box
		5 5500	P EZ-Scape Pro Firefighter Escape Belt (Jettison)			5 E-Z Flo+, Quick Disconnect Hose, Rectus			3 Yes (EZ-Scape Pro and UEBSS)	H SEMS II Pro Hazmat	①	
						6 E-Z Flo C5, Quick Disconnect Hose, Rectus			4 Yes (EZ-Scape Pro)			
								5 No				

1. Catalog Number:
Select a one digit number per box from the chart above that corresponds to your choice.

X8	X	X	X	X	X	X	X	X	X	X	X	X
----	---	---	---	---	---	---	---	---	---	---	---	---

- ① SEMS II Pro Hazmat (motion sensor disabled) does not comply with the requirements of NFPA 1982, 2018 Edition.
- ② Case option must be ordered separately.
- ③ Air-Pak X3 Pro SCBA may only be packaged 1 SCBA per box when configured with a spare harness kit.
- ④ When selecting the E-Z Flo C5 regulator, you must also choose the Vision C5 facepiece for compatibility.
- ⑤ Spare harness does not include optional accessory pouch.

Example

Air-Pak X3 Pro SCBA
Snap-Change, 5500 psig, Standard Waist Belt, E-Z Flo+ Regulator with Quick Disconnect Hose, UEBSS, SEMS II Pro, Shipped (1) per Box (black)

X8	9	1	5	0	2	6	3	0	5	A	0	3
----	---	---	---	---	---	---	---	---	---	---	---	---

This configurator is a guide to 3M™ Scott™ Air-Pak™ X3 Pro SCBA catalog numbers certified to the NFPA 1981, 2018 Edition Standard.

3M™ Scott™ EZ-Scape Pro Firefighter Escape Belt



The 3M™ Scott™ EZ-Scape Pro Integrated Self-Rescue Belt (full bailout system) is no longer available. Please contact 3M Scott Technical Support for replacement options.

3M™ Scott™ EZ-Scape Pro Firefighter Escape Belt and Accessory Pouch Options (compatible with 3M™ Scott™ Air-Pak™ X3 Pro SCBA)

Catalog Number	Description
201096-38	EZ-Scape Pro Firefighter Escape Belt, Air-Pak X3 Pro, Waist Belt Only – Jettison
201096-36	EZ-Scape Pro Firefighter Escape Belt, Air-Pak X3 Pro, Waist Belt and Accessory Hip Pouch (empty) – Jettison
201096-08	EZ-Scape Pro Firefighter Escape Belt, Air-Pak X3 Pro, Waist Belt Only – Fixed
201096-06	EZ-Scape Pro Firefighter Escape Belt, Air-Pak X3 Pro, Waist Belt and Accessory Hip Pouch (empty) – Fixed

The 3M™ Scott™ EZ-Scape Pro Accessory Pouch attaches to the 3M™ Scott™ EZ-Scape Pro Firefighter Escape Belt and is compatible with the 3M™ Scott™ Air-Pak™ X3 Pro SCBA. The accessory pouch may be used to store a NFPA 1983 certified bailout system, provided the system fits inside the pouch and can connect to the integrated D-ring on the 3M™ Scott™ EZ-Scape Pro Firefighter Escape Belt. The accessory pouch is supplied empty and does not include bailout hardware (anchor, descender, escape rope).

Accessories for 3M™ Scott™ EZ-Scape Pro Firefighter Escape Belt

Catalog Number	Description
78-8151-3609-4	EZ-Scape Pro Accessory Hip Pouch
31003385	Multi-Use Ladder Strap

Self-Contained Breathing Apparatus (SCBA)



3M™ Scott™ X3-21 Pro SCBA

NFPA 1986, 2023 Edition

Built-to Specification Configurator

SCBA Model	Cylinder Connection	Pressure (psig)	Cylinder Shroud	Regulator Type	EBSS	Spare Harness	Case	Packaging
7 X3-21 Pro	1 CGA Threaded	4 4500	0 No	1 E-Z Flo+, Quick Disconnect Hose (Hansen), HUD	0 None	0 None	0 None	1 1 SCBA per Box
	2 Snap-Change	5 5500	1 Yes	2 E-Z Flo+, Quick Disconnect Hose (Hansen)	1 Dual (Hansen)	2 Yes (with EBSS Pouch)	1 Hard Plastic	2 2 SCBA per Box
				3 E-Z Flo+, Quick Disconnect Hose (Rectus), HUD	3 Dual (Rectus)		2 Soft Canvas	
				4 E-Z Flo+, Quick Disconnect Hose (Rectus)				
				5 E-Z Flo C5, Quick Disconnect Hose (Hansen), HUD				
				6 E-Z Flo C5, Quick Disconnect Hose (Hansen)				
				7 E-Z Flo C5, Quick Disconnect Hose (Rectus), HUD				
				8 E-Z Flo C5, Quick Disconnect Hose (Rectus)				
				9 E-Z Flo+, Continuous Hose, HUD				
				A E-Z Flo C5, Continuous Hose, HUD				

1. Catalog Number:
Select a one digit number per box from the chart above that corresponds to your choice.

X321-	X	X	X	X	X	X	X	X	X
-------	---	---	---	---	---	---	---	---	---

- ① When selecting the regulator type, please note the E-Z Flo C5 is only compatible with the Vision C5 facepiece.
- ② When selecting the EBSS option, please choose the fitting type that corresponds to the regulator type selected.
- ③ X3-21 Pro Pro may only be packaged 1 SCBA per box when configured with a spare harness kit or when selecting a case option.

Example
X3-21 Pro SCBA
Snap-Change, 5500 psig, Cylinder Shroud, E-Z Flo+ Regulator with Quick Disconnect Hose (Rectus), Dual EBSS Accessory Hose (Rectus), Shipped (2) per Box

X321-	7	2	5	1	3	1	0	0	2
-------	---	---	---	---	---	---	---	---	---

This configurator is a guide for selecting 3M™ Scott™ X3-21 Pro SCBA part numbers certified to the NFPA 1986, 2023 Edition Standard.

SCBA Accessories

Catalog Number	Description
805511-01	Chest Strap (Compatible with Air-Pak Wireframe, Air-Pak 75, and Air-Pak X3 SCBA)
201612-01	Chest Strap, Universal (Compatible with Air-Pak XD* and Air-Pak X3 Pro SCBA)
805088-01	Waist Belt Extension (Compatible with Air-Pak XD, Air-Pak X3, Air-Pak 75, and Air-Pak Wireframe SCBA)
201614-01	Waist Belt Extension (Compatible with Air-Pak X3 Pro SCBA)
200112-01	Extended Duration Adapter Assy, Hansen
200112-02	Extended Duration Adapter Assy, Foster
200112-03	Extended Duration Adapter Assy, Hansen HK
200112-04	Extended Duration Adapter Assy, Schrader
201729-01	Extended Duration Adapter Assy, Hansen, UEBSS
201729-02	Extended Duration Adapter Assy, Foster, UEBSS
201729-03	Extended Duration Adapter Assy, Hansen HK, UEBSS
201729-04	Extended Duration Adapter Assy, Schrader, UEBSS
200388-01**	Tool Adapter, Snap-Change
803620-03***	Pass Thru Assembly, Hansen
803620-04***	Pass Thru Assembly, Schrader
803620-05	Pass Thru Assembly, CEJN
200673-01+	Pak-Link Programmer/Data-logger
201667-11	Spare Harness Kit, Air-Pak X3 Pro, Parachute Buckles
201667-12	Spare Harness Kit, Air-Pak X3 Pro, Parachute Buckles, UEBSS
201667-13	Spare Harness Kit, Air-Pak X3 Pro, Parachute Buckles, EZ-Scape Pro
201667-14	Spare Harness Kit, Air-Pak X3 Pro, Parachute Buckles, EZ-Scape Pro, UEBSS
201667-15	Spare Harness Kit, Air-Pak X3 Pro, Spring Clips
201667-16	Spare Harness Kit, Air-Pak X3 Pro, Spring Clips, UEBSS
201667-17	Spare Harness Kit, Air-Pak X3 Pro, Spring Clips, EZ-Scape Pro
201667-18	Spare Harness Kit, Air-Pak X3 Pro, Spring Clips, EZ-Scape Pro, UEBSS
78-8151-6629-9	Spare Harness Kit, Air-Pak XD, Padded Harness, Parachute Buckles
78-8151-6631-5	Spare Harness Kit, Air-Pak XD, Padded Harness, Parachute Buckles, UEBSS
78-8151-6628-1	Spare Harness Kit, Air-Pak XD, Padded Harness, Spring Clips
78-8151-6630-7	Spare Harness Kit, Air-Pak XD, Padded Harness, Spring Clips, UEBSS
78-8151-6633-1	Spare Harness Kit, Air-Pak XD, Unpadded Harness, Parachute Buckles
78-8151-6635-6	Spare Harness Kit, Air-Pak XD, Unpadded Harness, Parachute Buckles, UEBSS
78-8151-6632-3	Spare Harness Kit, Air-Pak XD, Unpadded Harness, Spring Clips
78-8151-6634-9	Spare Harness Kit, Air-Pak XD, Unpadded Harness, Spring Clips, UEBSS
201809-02	Cylinder Shroud, X3-21 Pro
201810-01	Facepiece Bag, Tactical

* Chest strap is only compatible with the Air-Pak XD with Padded Harness

** Accommodates 2216, 4500, and 5500 psig Snap-Change Cylinders.

*** For use with Dual EBSS in an encapsulated protective suit.

+ For use in downloading PASS data from any 3M™ Scott™ Air-Pak™ SCBA certified to the NFPA 1981/1982, 2007 Edition standards (and newer) including pneumatic data introduced as part of the 2018 Edition standard; may also be used for programming the 3M™ Scott™ Pak-Tracker Firefighter Locator System ID of a 3M™ Scott™ Air-Pak™ SCBA.

Note: For the 3M™ Scott™ Air-Pak™ XD or Air-Pak X3 Pro SCBA, customers may also use the universal mobile application.

Self-Contained Breathing Apparatus (SCBA)

3M™ Scott™ Air-Pak™ 75i SCBA

Built-to Specification Configurator



SCBA Model	Harness	Pressure (psig)	Cylinder ①	Regulator ③	EBSS	Airline Options ②	Facepiece ④	Console	Case	Packaging
4 Air-Pak™ 75i SCBA	5 Kevlar®/ Parachute Buckle	2 2216	00 None	1 E-Z Flo with Vibralert	0 None	0 None	0 None	1 Gauge	0 None	1 One Per Box
		4 4500		2 E-Z Flo with Vibralert Quick Disconnect	2 Dual	1 Hansen	3 AV-3000 SureSeal Kevlar® (M)	4 Gauge and HUD	1 Hard Case	
		5 2216 with RIC/UAC		5 E-Z Flo with Vibralert / HUD		2 Schrader			2 Soft Case	
		7 4500 with RIC/UAC		6 E-Z Flo with Vibralert Quick Disconnect / HUD		4 Hansen HK Plug				
		8 5500				5 Hansen HK Socket				
		9 5500 with RIC/UAC								

1. Catalog Number:

Select a one or two digit number per box from the chart above that corresponds to your choice.

APi	4	5	X	00	X	X	X	X	1	X	1
-----	---	---	---	----	---	---	---	---	---	---	---

- ① Order cylinders separately.
- ② Airline options not available when dual EBSS is installed on 3M™ Scott™ Air-Pak™ 75i SCBA.
- ③ When selecting an E-Z Flo Regulator with HUD, you must select Gauge and HUD for the Console.
- ④ If you prefer an alternate facepiece style, head harness, or size, choose "none" and order an approved facepiece as a separate line item (see pages 23-28 for selections).

Example

Air-Pak™ 75i SCBA
Kevlar®/parachute buckle;
for 4500 psig cylinder,
no cylinder, with E-Z Flo
regulator with Vibralert,
no EBSS, no airline, no
facepiece, standard gauge,
no case, shipped one
per box.

APi	4	5	4	00	1	0	0	0	1	0	1
-----	---	---	---	----	---	---	---	---	---	---	---

In this example, order (4500 psig) cylinder, facepiece and case separately.

This configurator is a guide to 3M™ Scott™ Air-Pak™ 75i SCBA catalog numbers.

3M™ Scott™ Industrial SCBA (ISCBA)

Built-to Specification Configurator



SCBA Model	Harness	Pressure (psig)	Cylinder	Regulator	Manifold ①	Airline Options	Facepiece ②	Console	Case	Packaging											
1	ISCBA	1	Nylon/Polymer Buckle	2	2216	00	None	3	E-Z Flo standard	1	Single	0	None	0	None	1	Gauge	0	None	1	One Per Box
		4	Kevlar®/Metal Buckle	4	4500	01	2216 psig Aluminum, 30 min.	4	E-Z Flo Modulair QD	2	Dual	1	Hansen	3	AV-3000 SureSeal Facepiece, Kevlar® (M)			1	Hard Case		
						02	2216 psig Carbon, 30 min.					2	Schrader	6	AV-3000 SureSeal Facepiece Poly (M)			2	Soft Case		
						04	4500 psig Carbon, 30 min.					3	Cejn	9	AV-3000 SureSeal Facepiece Rubber (M)						
						05	4500 psig Carbon, 45 min.					4	Hansen HK Plug								
						06	4500 psig Carbon, 60 min.					5	Hansen HK Socket								
							Drained														
						AA	2216 psig Aluminum, 30 min.														
						BB	2216 psig Carbon, 30 min.														
						DD	4500 psig Carbon, 30 min.														
						EE	4500 psig Carbon, 45 min.														
						FF	4500 psig Carbon, 60 min.														

1. Catalog Number:
Select a one or two digit number per box from the chart above that corresponds to your choice.

IND	1	X	X	XX	X	X	X	X	X	1	X	1
-----	---	---	---	----	---	---	---	---	---	---	---	---

① Airline options require a dual manifold.

② If you prefer an alternate facepiece style, head harness, or size, choose "none" and order an approved facepiece as a separate line item (see pages 23-28 for selection).

Example

ISCBA
Kevlar®/metal buckle; for 4500 psig cylinder, no cylinder, with E-Z Flo regulator, single manifold, no airline, no facepiece, standard gauge, no case, shipped one per box.

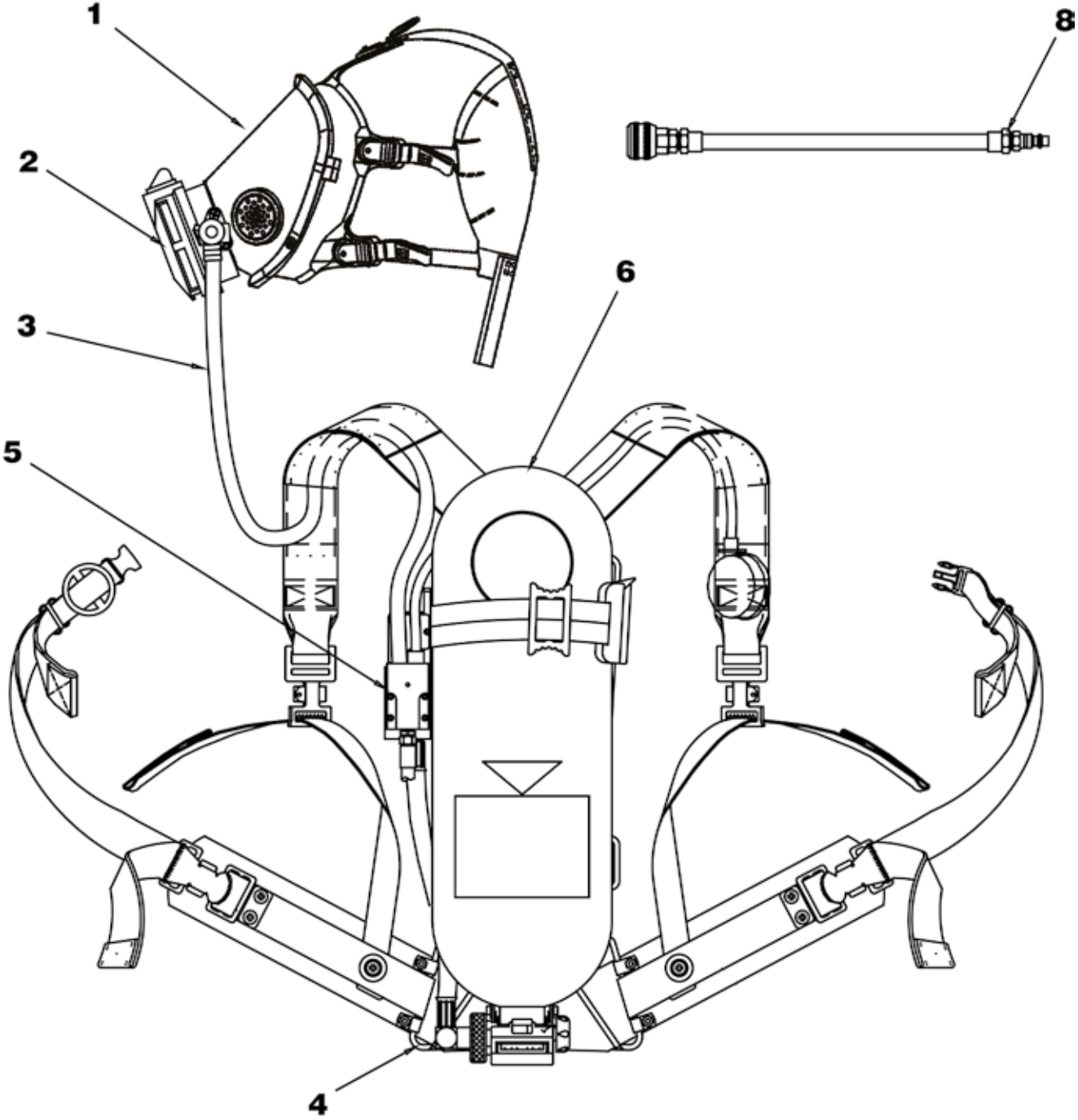
IND	1	4	4	00	3	1	0	0	1	0	1
-----	---	---	---	----	---	---	---	---	---	---	---

In this example, order (4500 psig) cylinder, facepiece and case separately.

This configurator is a guide to 3M™ Scott™ ISCBA catalog numbers.

Self-Contained Breathing Apparatus (SCBA)

3M™ Scott™ ISCBA



Industrial SCBA Parts and Accessories

Item Number	Description	Pieces Per Pkg	Catalog Number
1	Facepieces		
1a	AV-3000 HT Facepiece	See Pages 23-25	
1b	AV-3000 SureSeal Facepiece	See Pages 26-28	
2	Regulator		
2a	E-Z Flo	1	804441-04
2b	E-Z Flo Modulair Quick Disconnect	1	804441-05
3	Quick Disconnect Low Pressure Hose Assembly	1	804678-01
4	Backframe and Harnesses		
4a	Kevlar® with Metal Buckles	1	804621-02
4b	Nylon with Plastic Buckles	1	804621-03
5	Pressure Reducers		
5a	2216 psig, Single Port	1	804619-01
5b	2216 psig, Dual Port	1	804619-02
5e	4500 psig, Single Port	1	804642-01
5f	4500 psig, Dual Port	1	804642-02
6	Cylinder and Valve Assemblies		
6a	Aluminum, 30-Minute, 2216 psig	1	804101-01
6b	Carbon, 30-Minute, 2216 psig	1	804840-01
6c	Carbon, 30-Minute, 4500 psig	1	804721-01
6d	Carbon, 45-Minute, 4500 psig	1	804722-01
6e	Carbon, 60-Minute, 4500 psig	1	804723-01
7	Airline Hose and Fittings (not shown)		
7a	Airline Accessory Hose, Hansen Fitting	1	27537-01
7b	Airline Accessory Hose, Schrader Fitting	1	27537-02
7c	Airline Accessory Hose, Hansen HK Fitting	1	27537-03
8	Supply Hoses	See Page 61	
9	Communications	See Pages 34-35	
Not shown	Hard Carrying Case, SCBA	1	804497-02
Not shown	Soft Carrying Case, SCBA	1	10009324

Self-Contained Breathing Apparatus (SCBA)

3M™ Scott™ ACSi SCBA

Built-to Specification Configurator



SCBA Model	Harness	Pressure (psig)	Cylinder ①	Regulator	Manifold	Extended Duration Airline	Facepiece ②	Console	Case	Packaging
3 ACSi SCBA	A ACSi Standard	2 2216	00 None	3 E-Z Flo Standard	0 Standard	0 None	0 None	1 Gauge	0 None	1 One Per Box
		4 4500	01 2216 psig Aluminum, 30 min.	4 E-Z Flo Modulair QD		1 Hansen	3 AV-3000 SureSeal Facepiece Kevlar® (M)		1 Hard Case	
			02 2216 psig Carbon, 30 min.			2 Schrader	6 AV-3000 SureSeal Facepiece Poly (M)		2 Soft Case	
			04 4500 psig Carbon, 30 min.			3 Cejn HK Plug	9 AV-3000 SureSeal Facepiece Rubber (M)			
			05 4500 psig Carbon, 45 min.			4 Hansen HK Plug				
			06 4500 psig Carbon, 60 min.			5 Hansen HK Socket				
			Drained							
			AA 2216 psig Aluminum, 30 min.							
			BB 2216 psig Carbon, 30 min.							
			DD 4500 psig Carbon, 30 min.							
			EE 4500 psig Carbon, 45 min.							
			FF 4500 psig Carbon, 60 min.							

1. Catalog Number:
Select a one or two digit number per box from the chart above that corresponds to your choice.

ACS	3	A	X	XX	X	0	X	X	1	X	1
-----	---	---	---	----	---	---	---	---	---	---	---

- ① When selecting a cylinder with the 3M™ Scott™ ACSi SCBA, the cylinder will ship with a unique 90-degree valve assembly.
- ② If you prefer an alternate facepiece style, head harness, or size, choose "none" and order an approved facepiece as a separate line item (see pages 23-28 for selection).

Example

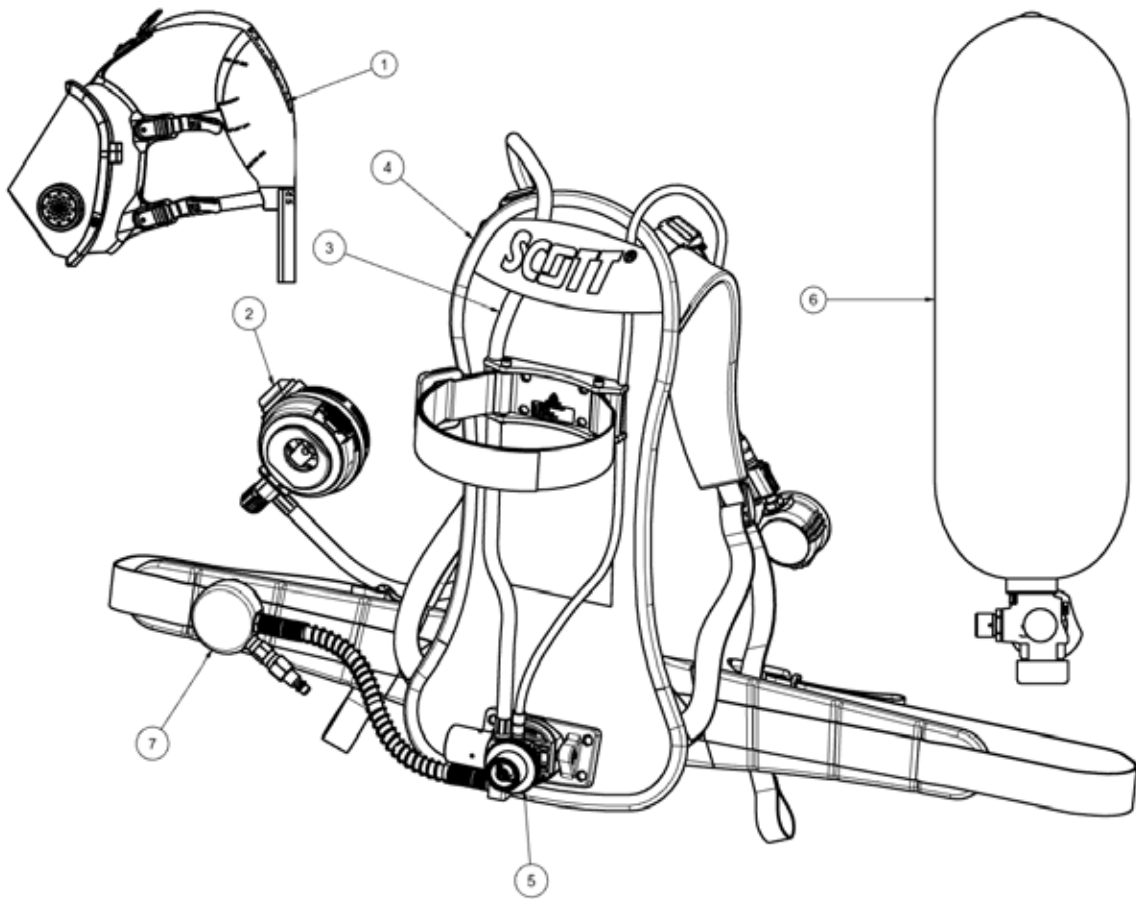
ASCI SCBA
Standard harness, for 2216 psig cylinder, no cylinder, with E-Z Flo regulator, standard manifold, no airline, no facepiece, standard gauge, no case, shipped one per box.

ACS	3	A	2	00	3	0	0	0	1	0	1
-----	---	---	---	----	---	---	---	---	---	---	---

In this example, order (2216 psig) cylinder, facepiece and case separately.

This configurator is a guide to 3M™ Scott™ ACSi SCBA catalog numbers.

3M™ Scott™ ACSi SCBA



Self-Contained Breathing Apparatus (SCBA) ▣

3M™ Scott™ ACSi SCBA Parts and Accessories

Item Number	Description	Pieces Per Pkg	Catalog Number
1	Facepieces		
1a	AV-3000 HT Facepiece	See Pages 23-25	
1b	AV-3000 SureSeal Facepiece	See Pages 26-28	
2	Regulator		
2a	E-Z Flo Regulator	1	804441-06
2b	E-Z Flo Modulair Quick Disconnect	1	804441-05
3	Quick Disconnect Low Pressure Hose Assembly	1	200867-01
4	Backframe and Harnesses		
4a	ACS (Advanced Carrying System) Standard Backframe/ Harness Assembly	1	200877-01
5	Pressure Reducers		
5a	Pressure Reducer Assembly, 2216 psig	1	2019231
5b	Pressure Reducer Assembly, 4500 psig	1	2019232
6	ACS Cylinder and Valve Assemblies (with ACS valve)		
6a	Aluminum, 30-Minute, 2216 psig	1	200874-01
6b	Carbon, 30-Minute, 2216 psig	1	200873-01
6c	Carbon, 30-Minute, 4500 psig	1	200870-01
6d	Carbon, 45-Minute, 4500 psig	1	200871-01
6e	Carbon, 60-Minute, 4500 psig	1	200872-01
7	Extended Duration Airline Assembly (not shown)		
7a	Airline Accessory Hose, Hansen Fitting	1	200879-01
7b	Airline Accessory Hose, Schrader Fitting	1	200879-02
7c	Airline Accessory Hose, Hansen HK Fitting	1	200879-03
7d	Airline Accessory Hose, CEJN Fitting	1	200879-05
8	Supply Hoses	See Page 61	

3M™ Scott™ SCBA Cylinders

30-, 45-, 60- and 75-Minute Assemblies

2216 psig 30-Minute Cylinder and Valve Assemblies

Catalog Number	Aluminum	Carbon	30-Year	Cylinder Valve
804101-01	●			●
804840-01		●		●
200131-01*		●		●
10010063**		●		

4500 psig, 30-Minute Cylinder and Valve Assemblies

Catalog Number	Carbon	ST7	30-Year	Cylinder Valve
804721-01	●			●
200128-01*	●			●
10009671**	●			
804721-11	●	●		●
200128-11*	●	●		●
804721-35	●		●	●
200128-35*	●		●	●

4500 psig, 45-Minute Cylinder and Valve Assemblies

Catalog Number	Carbon	ST7	30-Year	Cylinder Valve
804722-01	●			●
200129-01*	●			●
10009673**	●			
804722-11	●	●		●
200129-11*	●	●		●
804722-35	●		●	●
200129-35*	●		●	●

4500 psig, 60-Minute Cylinder and Valve Assemblies

Catalog Number	Carbon	ST7	30-Year	Cylinder Valve
804723-01	●			●
200130-01*	●			●
10009672**	●			
804723-11	●	●		●
200130-11*	●	●		●
804723-35	●		●	●
200130-35*	●		●	●

Self-Contained Breathing Apparatus (SCBA) □

5500 psig, 30-Minute, Cylinder and Valve Assemblies

Catalog Number	Carbon	ST7	30-Year	Cylinder Valve
200930-01	●			●
200967-01*	●			●
31002299**	●			

5500 psig, 45-Minute, Cylinder and Valve Assemblies

Catalog Number	Carbon	ST7	30-Year	Cylinder Valve
200969-01	●			●
200970-01*	●			●
31002300**	●			

5500 psig, 60-Minute, Cylinder and Valve Assemblies

Catalog Number	Carbon	ST7	30-Year	Cylinder Valve
200972-01	●			●
200973-01*	●			●
31002301**	●			

5500 psig, 75-Minute, Cylinder and Valve Assemblies

Catalog Number	Carbon	ST7	30-Year	Cylinder Valve
200975-01	●			●
200976-01*	●			●
31002302**	●			

ACSi Cylinder and Valve Assemblies

See Page 16

* Snap-Change Valve Assembly.

** Standard Carbon Cylinder (without valve).

Accessories for 3M™ Scott™ SCBA Cylinders

Catalog Number	Description
200952-02	Cylinder Sleeve Kit, 30-min, 4500 psig
200952-03	Cylinder Sleeve Kit, 45-min, 4500 psig
200952-04	Cylinder Sleeve Kit, 60-min, 4500 psig
200952-05	Cylinder Sleeve Kit, 15-min, 4500 psig
200952-06	Cylinder Sleeve Kit, 30-min, 5500 psig
200952-07	Cylinder Sleeve Kit, 45-min, 5500 psig
200952-08	Cylinder Sleeve Kit, 60-min, 5500 psig
200952-10	Cylinder Sleeve Kit, 30-min, 2216 psig
200688-S430	Cylinder Protective Cap, Valve End, 30-min, 4500 psig
200688-D430	Cylinder Protective Cap, Dome End, 30-min, 4500 psig
200688-S445	Cylinder Protective Cap, Valve End, 45-min, 4500 psig
200688-D445	Cylinder Protective Cap, Dome End, 45-min, 4500 psig
200689-01*	Epoxy Pack (Epoxy for 8 caps, Mixing Nozzle, O&M Instructions)
31001465*	Applicator Gun/Mixer

* Required for installation of cylinder protective caps.



3M™ Scott™ Vision C5 Facepiece (for use with E-Z Flo C5 Regulator)

Designed using a platform approach, the 3M™ Scott™ Vision C5 Facepiece with E-Z Flo C5 Regulator incorporates the latest technology to enhance situational intelligence, while providing a customizable solution. Incorporating a wider field of view to see more and a new regulator design to breathe easier, the 3M™ Scott™ Vision C5 Facepiece with E-Z Flo C5 Regulator delivers the features that matter to help meet the changing needs of today's firefighter.

3M™ Scott™ Vision C5 Facepiece with Kevlar® Head Harness

Catalog Number	Description
FP1S40000000000	Small Faceseal, 4-Strap
FP1M40000000000	Medium Faceseal, 4-Strap
FP1L40000000000	Large Faceseal, 4-Strap
FP1S50000000000	Small Faceseal, 5-Strap
FP1M50000000000	Medium Faceseal, 5-Strap
FP1L50000000000	Large Faceseal, 5-Strap

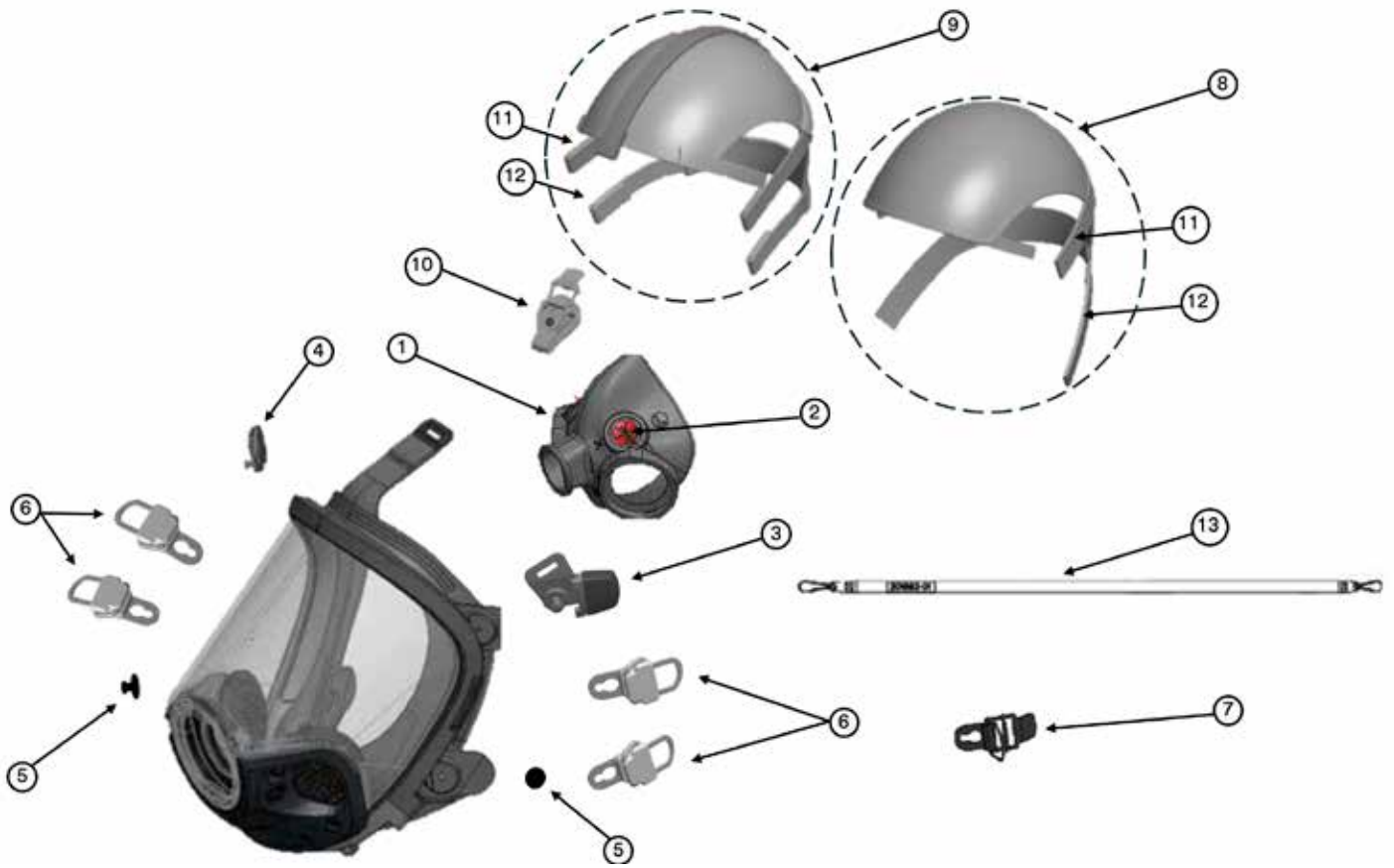
Accessories for 3M™ Scott™ Vision C5 Facepiece

Catalog Number	Description
201520-01	Fit Test Adapter
201682-01	Neck Strap Accessory
200372-52FC5	Spectacle Kit, 52 mm, Frame only
200372-60FC5	Spectacle Kit, 60 mm, Frame only
805534-01	Fleece Bag
31004024	Laundry Bag

3M™ Scott™ E-Z Flo C5 Regulator

Catalog Number	Description
201650-01	Quick Disconnect Hose, Hansen-type Fitting
201650-02	Continuous Hose, 3-Wire (compatible with Air-Pak X3 and Air-Pak X3 Pro CGA models)
201650-03	Continuous Hose, 3-Wire (compatible with Air-Pak X3 and Air-Pak X3 Pro Snap-Change models)
201650-04	Continuous Hose (compatible with Air-Pak 75 and Air-Pak WF models)
201650-05	Quick Disconnect Hose, Rectus-type Fitting
201650-06	Continuous Hose, 6-Wire (compatible with Air-Pak X3 and Air-Pak X3 Pro CGA models)
201650-07	Continuous Hose, 6-Wire (compatible with Air-Pak X3 and Air-Pak X3 Pro Snap-Change models)
201650-08	Continuous Hose (compatible with Air-Pak XD model)

3M™ Scott™ Vision C5 Facepiece



3M™ Scott™ Vision C5 Facepiece Parts and Accessories

Item Number	Description	Pieces Per Pkg	Catalog Number
1	Nosecup Assembly		
1a	Nosecup Assembly, Small	1	201484-01
1b	Nosecup Assembly, Medium	1	201486-01
1c	Nosecup Assembly, Large	1	201488-01
2	Inhalation Valve	1	31002788
3	Temple Tab, Left	1	201491-01
4	Temple Tab, Right	1	201500-01
5	Sizing Stud		
5a	Large, Red	1	31003601
5b	Medium, Black	1	31003602
5c	Small, Green	1	31003603
6	Headnet Buckle		
6a	Headnet Buckle, Gen 1	1	201502-02
6b	Headnet Buckle, Gen 2	1	78-8151-6243-9
7	Headnet Buckle with D-ring, Gen 1	1	201502-01
8	Headnet Assembly, 4-Strap (Includes Headnet, Temple and Neck Straps)		
8a	Headnet Assembly, Small, 4-Strap, Gen 2	1	78-8151-6291-8
8b	Headnet Assembly, Medium, 4-Strap, Gen 2	1	78-8151-6292-6
8c	Headnet Assembly, Large, 4-Strap, Gen 2	1	78-8151-6293-4
9	Headnet Assembly, 5-Strap (Includes Headnet, Temple and Neck Straps)		
9a	Headnet Assembly, Small, 5-Strap, Gen 2	1	70-0020-1033-1
9b	Headnet Assembly, Medium, 5-Strap, Gen 2	1	70-0020-1034-9
9c	Headnet Assembly, Large, 5-Strap, Gen 2	1	70-0020-1035-6
10	Stirrup Assembly, 5-Strap (Includes sizing stud and stirrup)		
10a	Stirrup Assembly, Small, Gen 2*	1	70-0020-1036-4
10b	Stirrup Assembly, Medium, Gen 2*	1	70-0020-1063-8
10c	Stirrup Assembly, Large, Gen 2*	1	70-0020-1064-6
11	Temple Strap		
11a	Temple Strap, Gen 1	1	804178-05
11b	Temple Strap, Gen 2	1	78-8151-6287-6
12	Neck Strap		
12a	Neck Strap, Gen 1	1	804178-03
12b	Neck Strap, Gen 2	1	78-8151-6286-8
13	Accessory Neck Strap	1	201682-01
Not shown	Fleece Facepiece	1	805534-01

+ For use on facepieces with a 5-strap head harness.










Contact 3M Scott Technical Support for questions regarding part numbers.

3M™ Scott™ AV-3000 HT Facepiece












The 3M™ Scott™ AV-3000 HT Facepiece is fully interchangeable with the full line of 3M Scott SCBA, supplied-air respirators, and air-purifying respirators, as well as 3M Scott communications products providing "Top-Down Convertibility" options. It is designed to minimize equipment inventories, simplify the complexities of user training when issued as a single personal issue facepiece and reduce redundant facepiece fit tests.

3M™ Scott™ AV-3000 HT Facepiece with Kevlar® Head Harness, 5-Strap

Catalog Number	Description
201215-01	Small Faceseal 
201215-02	Medium Faceseal 
201215-03	Large Faceseal 
201215-04	Small Faceseal, Right Comm Bracket 
201215-05	Medium Faceseal, Right Comm Bracket 
201215-06	Large Faceseal, Right Comm Bracket 
201215-07	Small Faceseal, Left Comm Bracket 
201215-08	Medium Faceseal, Left Comm Bracket 
201215-09	Large Faceseal, Left Comm Bracket 

3M™ Scott™ AV-3000 HT Facepiece with Kevlar® Head Harness, 4-Strap

Catalog Number	Description
201215-21	Small Faceseal 
201215-22	Medium Faceseal 
201215-23	Large Faceseal 
201215-27	Small Faceseal, Right Comm Bracket 
201215-28	Medium Faceseal, Right Comm Bracket 
201215-29	Large Faceseal, Right Comm Bracket 
201215-34	Small Faceseal, Left Comm Bracket 
201215-35	Medium Faceseal, Left Comm Bracket 
201215-36	Large Faceseal, Left Comm Bracket 



3M™ Scott™ AV-3000 HT Facepiece with Kevlar® Head Harness is NIOSH CBRN APR approved with 3M™ Scott™ 40 mm First Responder Adapter and 3M™ Scott™ CBRN Cap-1 Canister.

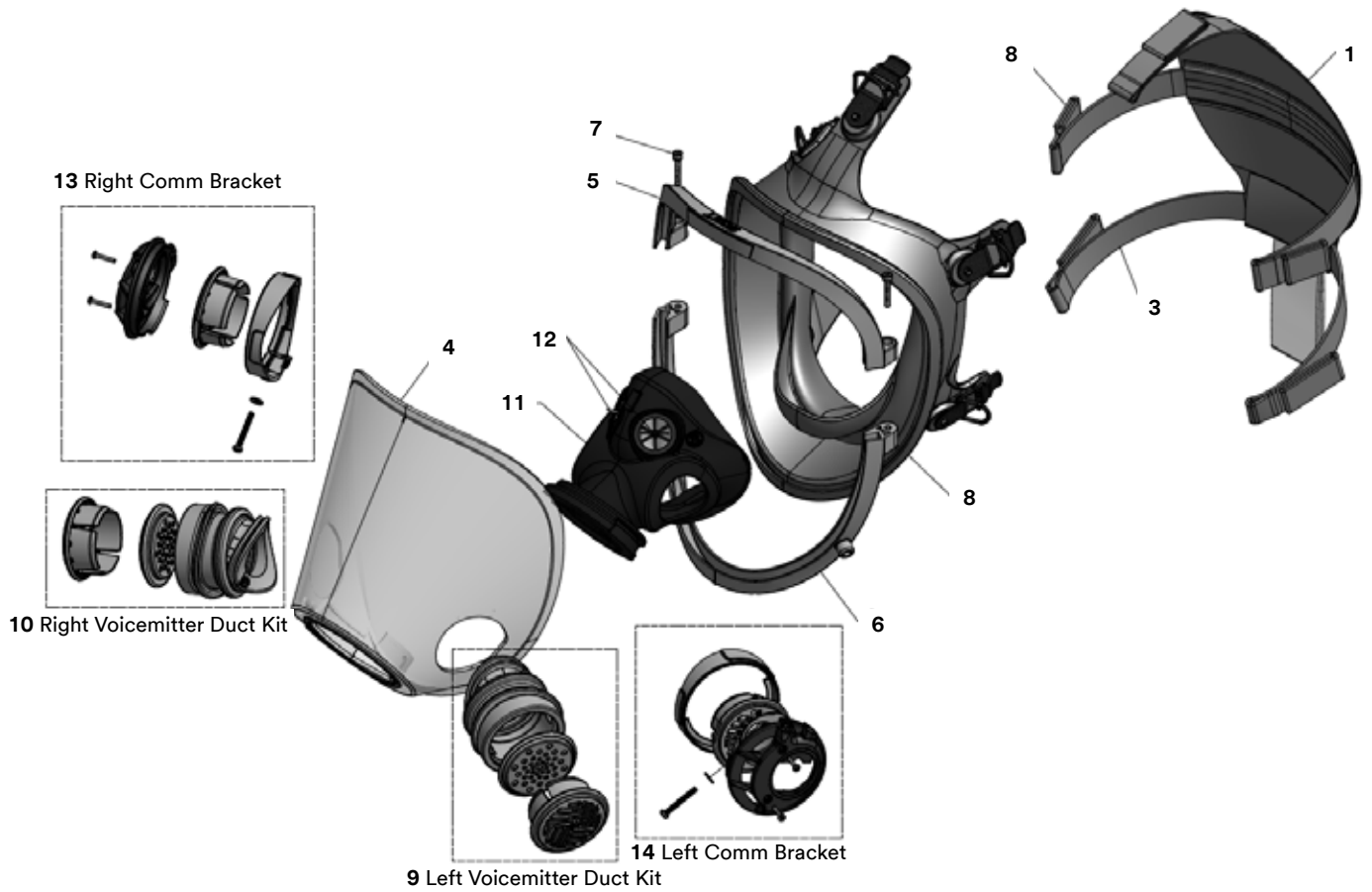
3M™ Scott™ AV-3000 HT Facepiece Parts and Accessories

Item Number	Description	Pieces Per Pkg	Catalog Number
1	Complete Head Harness Assemblies		
1a	Kevlar® Head Harness, 5-Strap*	1	200803-01
1b	Kevlar® Head Harness, 4-Strap, Small	1	201467-01
1c	Kevlar® Head Harness, 4-Strap, Medium/Large	1	201467-02
2	Temple Straps		
2a	Kevlar® Temple Strap**	1	804178-03
3	Neck Straps		
3a	Kevlar® Neck Strap	1	804176-03
4	Facepiece Lens (Fenestra, Drilled) (AV-3000 HT Facepiece only)	1	201134-01
5	Upper Bezel (AV-3000 HT Facepiece only)	1	31002809
6	Lower Bezel (AV-3000 HT Facepiece only)	1	31002810
7	Bezel Screw	2	33361-020
8	Facepiece Seals (AV-3000 SureSeal Facepiece and AV-3000 HT Facepiece)		
8a	AV-3000 SureSeal Facepiece, FaceSeal, Small	1	200802-01
8b	AV-3000 SureSeal Facepiece, FaceSeal, Medium	1	200802-02
8c	AV-3000 SureSeal Facepiece, FaceSeal, Large	1	200802-03
8d	AV-3000 SureSeal Facepiece, FaceSeal, 4-Strap, Small	1	200802-04
8e	AV-3000 SureSeal Facepiece, FaceSeal, 4-Strap, Medium	1	200802-05
8f	AV-3000 SureSeal Facepiece, FaceSeal, 4-Strap, Large	1	200802-06
9	Left Voicemitter Duct Kit (AV-3000 HT Facepiece only)	1	201311-02
10	Right Voicemitter Duct Kit (AV-3000 HT Facepiece only)	1	201311-01
11	Nosecups (AV-3000 HT Facepiece ONLY)		
11a	Nosecup with Red Valves, Small	1	201126-02
11b	Nosecup with Red Valves, Medium	1	201127-02
11c	Nosecup with Red Valves, Large	1	201128-02
12	Inhalation Valve, Red (AV-3000 HT Facepiece only)	2	31002788
13	Comm Bracket Kit, Right (AV-3000 HT Facepiece only)	1	201210-01
14	Comm Bracket Kit, Left (AV-3000 HT Facepiece only)	1	201210-02
Not shown	Fleece Facepiece Bag	1	805534-01
Not shown	Neck Strap Accessory	1	804088-02

*Includes the temple strap sewn into the headnet.

** Replacement of the temple strap on 3M™ Scott™ AV-3000 HT Facepiece, 5-Strap products produced after August 2015 will require replacement of headnet assembly (P/N 200803-01).

3M™ Scott™ AV-3000 HT Facepiece









3M™ Scott™ AV-3000 SureSeal Facepiece



The 3M™ Scott™ AV-3000 SureSeal Facepiece uses SureSeal technology for enhanced comfort and fit, and holds NIOSH approvals when used with a wide range of 3M Scott NIOSH respirators. The facepiece versatility helps minimize equipment inventory, simplify user training, and reduce redundant fit testing to help ensure lower cost of ownership.

3M™ Scott™ AV-3000 SureSeal Facepiece with Kevlar® Head Harness

Catalog Number	Description	Pieces Per Pkg
805773-81	Small Face Seal 	1
805773-82	Medium Face Seal 	1
805773-83	Large Face Seal 	1
805773-84	Small Face Seal, Comm Bracket 	1
805773-85	Medium Face Seal, Comm Bracket 	1
805773-86	Large Face Seal, Comm Bracket 	1



3M™ Scott™ AV-3000 SureSeal Facepiece with Kevlar® Head Harness is NIOSH CBRN APR approved with 3M™ Scott™ 40 mm First Responder Adapter and 3M™ Scott™ CBRN Cap-1 Canister, and with the 3M™ Scott™ C420 CBRN Powered Air-Purifying Respirator (PAPR) as configured on page 59.

3M™ Scott™ AV-3000 SureSeal Facepiece with Polyester Head Harness

Catalog Number	Description	Pieces Per Pkg
805774-81	Small Face Seal	1
805774-82	Medium Face Seal	1
805774-83	Large Face Seal	1

3M™ Scott™ AV-3000 SureSeal Facepiece with Rubber Head Harness

Catalog Number	Description	Pieces Per Pkg
805775-81	Small Face Seal 	1
805775-82	Medium Face Seal 	1
805775-83	Large Face Seal 	1



3M™ Scott™ AV-3000 SureSeal Facepiece with Rubber Head Harness is NIOSH CBRN APR approved with 3M™ Scott™ 40 mm First Responder Adapter (200423-01) and 3M™ Scott™ CBRN Cap-1 Canister (045135).

3M™ Scott™ AV-3000 SureSeal Facepiece Parts and Accessories

Item Number	Description	Pieces Per Pkg	Catalog Number
1	Complete Head Harness Assemblies		
1a	Kevlar® Head Harness (AV-3000 SureSeal Facepiece)*	1	200803-01
1d	Polyester Head Harness (AV-3000 SureSeal Facepiece)*	1	200965-01
1g	Rubber Head Harness (AV-3000 SureSeal Facepiece)	1	10008522
2	Temple Straps (AV-3000 SureSeal Facepiece)		
2a	Kevlar® Temple Strap**	1	804178-03
2b	Polyester Temple Strap**	1	804061-01
3	Neck Straps (AV-3000 SureSeal Facepiece)		
3a	Kevlar® Neck Strap	1	804176-03
3b	Polyester Neck Strap	1	803920-02
5	Facepiece Lens (Fenestra, Drilled) (AV-3000 SureSeal Facepiece)	1	805345-01
6	Upper Bezel	1	10011024
7	Lower Bezel	1	10011025
8	Bezel Screw	1	33335-022
9	Facepiece Seals		
9a	AV-3000 SureSeal Facepiece, FaceSeal, Small	1	200802-01
9b	AV-3000 SureSeal Facepiece, FaceSeal, Medium	1	200802-02
9c	AV-3000 SureSeal Facepiece, FaceSeal, Large	1	200802-03
10	Voicemitter	1	803759-01
11	Left Voicemitter Dust Assembly	1	805339-01
12	Right Voicemitter Duct Assembly	1	805339-02
13	Nosecups (AV-3000 SureSeal Facepiece)		
13a	Nosecup Grey Small	1	31001043
13b	Nosecup Grey Medium	1	31001044
13c	Nosecup Grey Large	1	31001045
Not shown	Fleece Facepiece Bag	1	805534-01
Not shown	EPIC Communications Clamp, Right Side Only	1	200715-01
Not shown	Neck Strap Accessory	1	804088-02

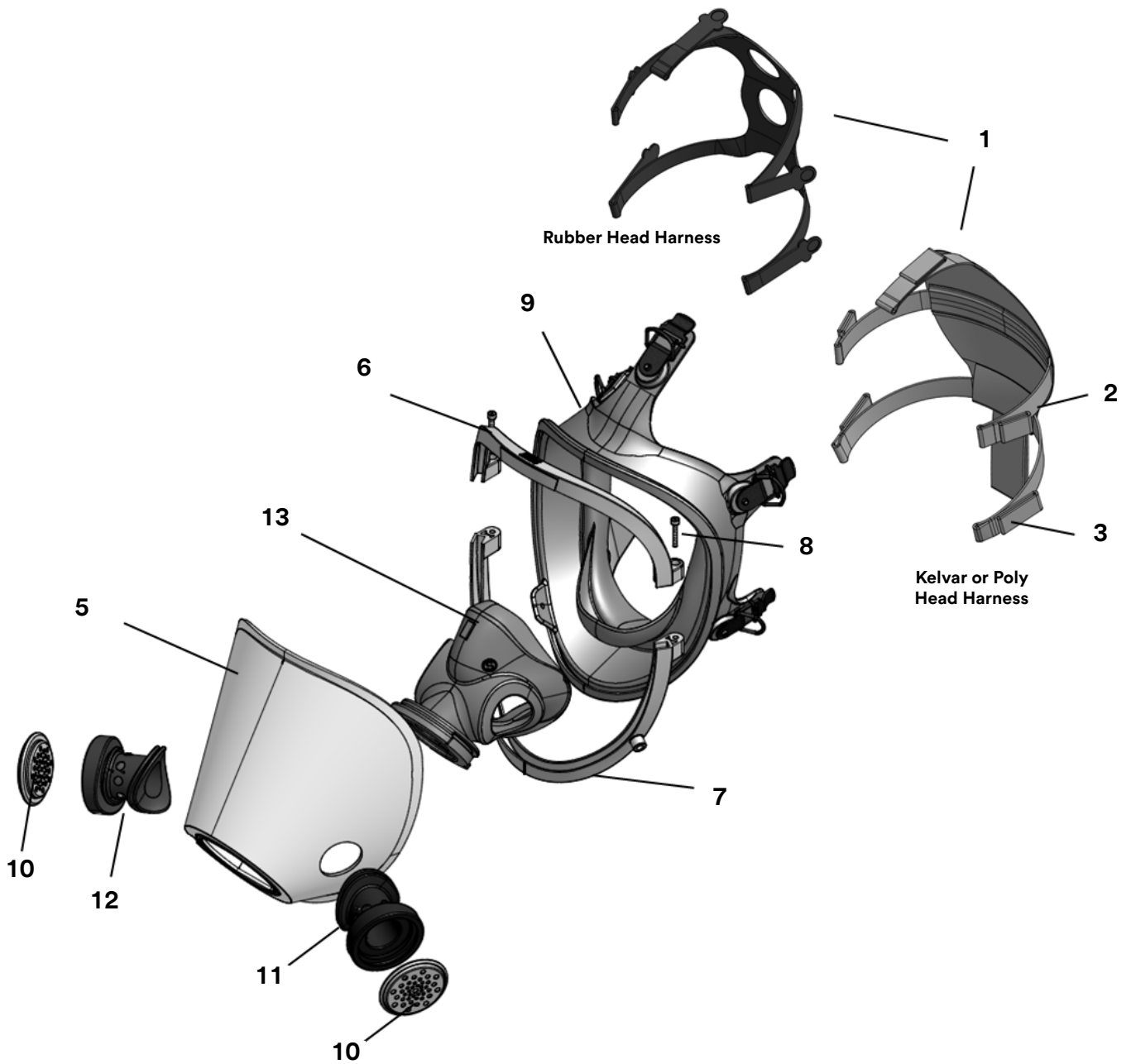
* Includes the temple strap sewn into the headnet.

** Replacement of the temple strap on 3M™ Scott™ AV-3000 SureSeal Facepiece assemblies produced after August 2015 will require replacement of headnet assembly (Kevlar® P/N 200803-01 or Polyester PN 200965-01).

Lens Kit Accessories for 3M™ Scott™ AV-3000 Series Facepieces

Catalog Number	Description
805753-01	Standard Eyeglass Kit
200372-52F	52 mm Wire Frame Eyeglass Kit
200372-60F	60 mm Wire Frame Eyeglass Kit

3M™ Scott™ AV-3000 SureSeal Facepiece



3M™ Scott™ Weld-O-Vista Facepiece



Fully interchangeable with the full line of 3M Scott SCBA, supplied-air respirators, and air-purifying respirators, the 3M™ Scott™ Weld-O-Vista facepiece also works with the 3M Scott communications products providing “Top-Down Convertibility” options. It is designed to minimize equipment inventories, simplify the complexities of user training when issued as a single personal issue facepiece and reduce redundant facepiece fit tests.

3M™ Scott™ Weld-O-Vista Facepiece with Kevlar® Head Harness

Catalog Number	Description	Pieces Per Pkg
805438-01	Small Face Seal	1
805438-02	Large Face Seal	1
805438-03	X-Large Face Seal	1
805438-08	Comfort Seal Face Seal	1

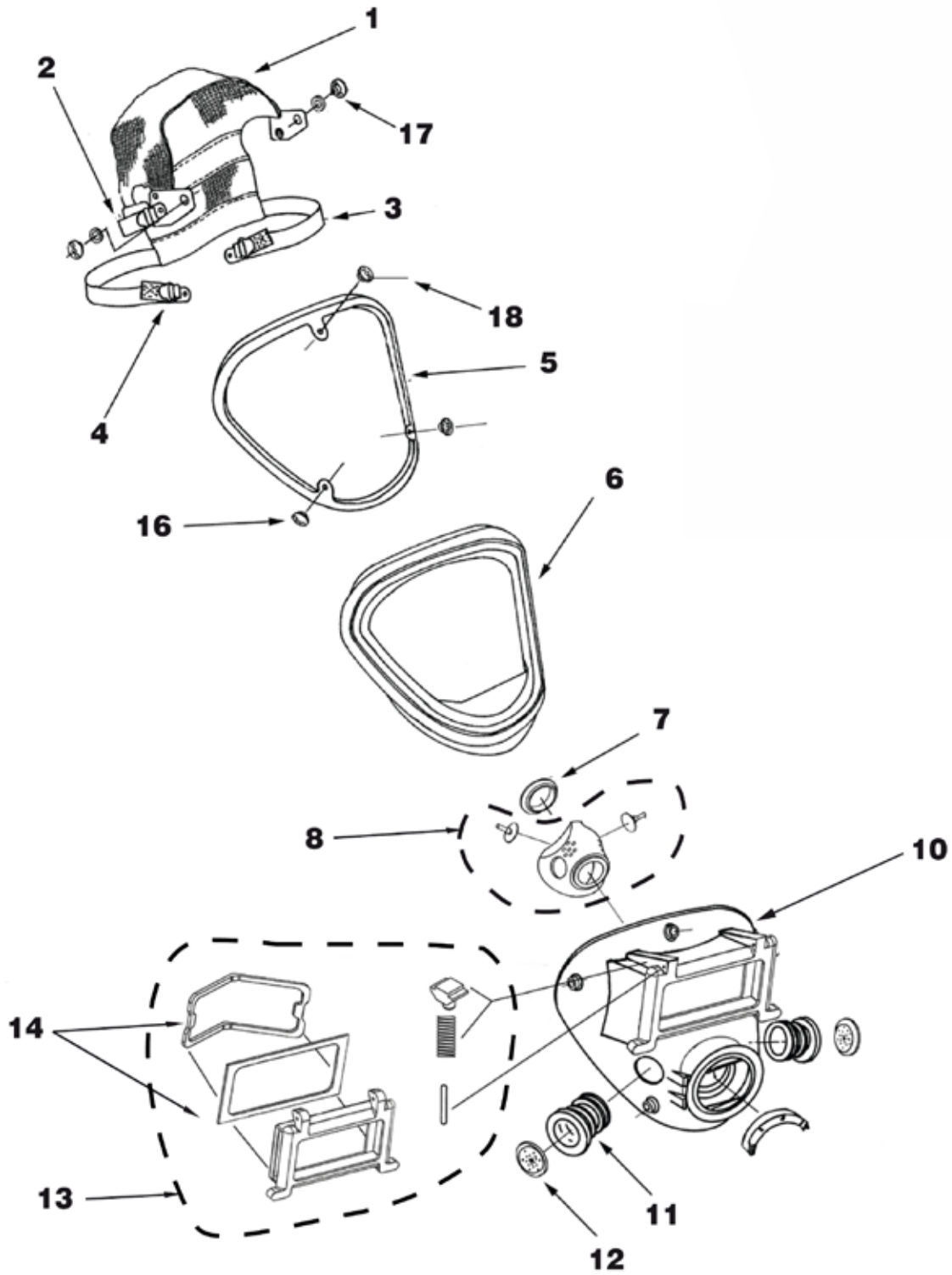
Lens Kit Accessories for 3M™ Scott™ Weld-O-Vista Facepiece

Catalog Number	Description
804442-01	Standard Eyeglass Kit
200371-52F	52 mm Wire Frame Eyeglass Kit
200371-60F	60 mm Wire Frame Eyeglass Kit

3M™ Scott™ Weld-O-Vista Facepiece Parts and Accessories

Item Number	Description	Pieces Per Pkg	Catalog Number
1	Head Harnesses		
1a	Kevlar® Head Harness Assembly	1	804177-01
2	Temple Straps		
2a	Kevlar® Temple Strap	1	804178-01
3	Neck Straps		
3a	Kevlar® Neck Strap	1	804176-01
4	Lower Buckle Strap	1	803732-01
5	Lens Frame	1	10008068
6	Facepiece Seals		
6a	Faceseal, Small (Green)	1	10005913
6b	Faceseal, Large (Black)	1	10005135
6c	Faceseal, X-Large (Red)	1	10006212
6d	Faceseal, Comfort Seal (Black)	1	10009779
7	Nosecup Retaining Ring	1	10008398
8	Nosecup Assembly (Nosecup with Inhalation Valves)	1	804014-01
10	Lens Assemblies		
10a	Weld-O-Vista Facepiece Assembly (Lens with Voicemitter, Lens Holder, Nosecup)	1	805574-01
10b	Weld-O-Vista Facepiece Lens Assembly Kit (Lens and Lens Holder)	1	805537-01
11	Voicemitter Duct	1	10008400
12	Voicemitter	1	804010-01
13	Lens Holder Assembly	1	805182-02
14	Lens Separator and Lens Retainer Kit	1	805536-01
Not shown	Fleece Facepiece Bag	1	805534-01

3M™ Scott™ Weld-O-Vista Facepiece



3M™ Scott™ Vision C5 Facepiece with Radio Direct Interface



3M™ Scott™ Vision C5 Facepiece with Radio Direct Interface and Bone Conduction Headphone (Motorola Compatible)

Catalog Number	Description
FP1S40002M10010	Vision C5 Facepiece with Radio Direct Interface and Bone Conduction Headphone, Small, Kevlar® Headnet 4-Strap, Motorola®, English
FP1M40002M10010	Vision C5 Facepiece with Radio Direct Interface and Bone Conduction Headphone, Medium, Kevlar® Headnet 4-Strap, Motorola®, English
FP1L40002M10010	Vision C5 Facepiece with Radio Direct Interface and Bone Conduction Headphone, Large, Kevlar® Headnet 4-Strap, Motorola®, English
FP1S50002M10010	Vision C5 Facepiece with Radio Direct Interface and Bone Conduction Headphone, Small, Kevlar® Headnet 5-Strap, Motorola®, English
FP1M50002M10010	Vision C5 Facepiece with Radio Direct Interface and Bone Conduction Headphone, Medium, Kevlar® Headnet 5-Strap, Motorola®, English
FP1L50002M10010	Vision C5 Facepiece with Radio Direct Interface and Bone Conduction Headphone, Large, Kevlar® Headnet 5-Strap, Motorola®, English

*See Product Configurator Selection Guide for more options.

3M™ Scott™ Vision C5 Facepiece with Radio Direct Interface and Bone Conduction Headphone (L3Harris Compatible)

Catalog Number	Description
FP1S40002H10010	Vision C5 Facepiece with Radio Direct Interface and Bone Conduction Headphone, Small, Kevlar® Headnet, 4-Strap, L3Harris®, English
FP1M40002H10010	Vision C5 Facepiece with Radio Direct Interface and Bone Conduction Headphone, Medium, Kevlar® Headnet, 4-Strap, L3Harris®, English
FP1L40002H10010	Vision C5 Facepiece with Radio Direct Interface and Bone Conduction Headphone, Large, Kevlar® Headnet, 4-Strap, L3Harris®, English
FP1S50002H10010	Vision C5 Facepiece with Radio Direct Interface and Bone Conduction Headphone, Small, Kevlar® Headnet, 5-Strap, L3Harris®, English
FP1M50002H10010	Vision C5 Facepiece with Radio Direct Interface and Bone Conduction Headphone, Medium, Kevlar® Headnet, 5-Strap, L3Harris®, English
FP1L50002H10010	Vision C5 Facepiece with Radio Direct Interface and Bone Conduction Headphone, Large, Kevlar® Headnet, 5-Strap, L3Harris®, English

*See Product Configurator Selection Guide for more options.

3M™ Scott™ Vision C5 Charger

Catalog Number	Description
CF5V20S0	Vision C5 Charger (qty 1), Low-Power Supply (AC)
CF5V2SS0	Vision C5 Charger (qty 1), Single Mounting Bracket, Low-Power Supply (AC)
CF5V2SHO	Vision C5 Charger (qty 1), Single Mounting Bracket, Hard-Wired Power Supply
CF5V2DDB	Vision C5 Charger (qty 2), Double Mounting Bracket, High-Power Supply (AC)
CF5V2DH0	Vision C5 Charger (qty 2), Double Mounting Bracket, Hard-Wired Power Supply
CF5V2TDB	Vision C5 Charger (qty 3), Triple Mounting Bracket, High-Power Supply (AC)
CF5V2TH0	Vision C5 Charger (qty 3), Triple Mounting Bracket, Hard-Wired Power Supply

Accessories for 3M™ Scott™ Vision C5 Facepiece

Catalog Number	Description
201506-01	Lithium-ion Battery, Vision C5 Facepiece

3M™ Scott™ Vision C5 Facepiece with Radio Direct Interface Install Kit

Catalog Number	Description
70-0020-0994-5	Vision C5 Facepiece with Radio Direct Interface Install Kit
70-0020-0995-2	Vision C5 Facepiece with Radio Direct Interface and Bone Conduction Headphone Install Kit



3M™ Scott™ EPIC 3 Voice Communications



3M™ Scott™ EPIC 3 Voice Amplifier

Catalog Number	Description
201275-01	EPIC 3 Voice Amplifier, *Open Bracket Configuration
201275-02	EPIC 3 Voice Amplifier, Closed Bracket Configuration

*Open bracket configuration required when used with 3M™ Scott™ Air-Pak™ SCBA compliant to NFPA 1981, 2013 Edition and NFPA 1981, 2018 Edition standards.

3M™ Scott™ EPIC 3 Lapel Speaker Microphone

Catalog Number	Description
201224-06	EPIC 3 Lapel Speaker Microphone, for use with Motorola Mototrbo XPR Series, APX series radios
201224-07	EPIC 3 Lapel Speaker Microphone, for use with Kenwood TK280/290/380/390 series radios
201224-22	EPIC 3 Speaker Microphone, for use with L3Harris P5400/7300, Unity Series and XG 25/75 series radios

Accessories for 3M™ Scott™ EPIC 3 Voice Communication System

Catalog Number	Description
201226-01	3M™ Scott™ EPIC 3 Voice Communication System PTT Ring
201227-01	3M™ Scott™ EPIC 3 Voice Communication System PTT Paddle
201228-01	3M™ Scott™ EPIC 3 Voice Communication System Throat Mic
201229-01	3M™ Scott™ EPIC 3 Voice Communication System Command Communication Headset

Facepiece Brackets for 3M™ Scott™ EPIC 3 Voice Communication System

Catalog Number	Description
201210-01	3M™ Scott™ AV-3000 HT Facepiece Open Bracket, Right (for use with 3M™ Scott™ EPIC 3 Voice Communication System only)
201210-02	3M™ Scott™ AV-3000 HT Facepiece Open Bracket, Left (for use with 3M™ Scott™ EPIC 3 Voice Communication System only)
200715-01*	3M™ Scott™ AV-3000 Series Facepiece Closed Bracket, Right (for use with all 3M™ Scott™ EPIC 3 Voice Communications products)

*Compatible with 3M™ Scott™ AV-3000 HT Facepiece and 3M™ Scott™ AV-3000 SureSeal Facepiece.



3M™ Scott™ Monitor Pro Telemetry Software Solution



The 3M™ Scott™ Monitor Pro Telemetry Software Solution puts critical, real-time responder information at incident command's fingertips. Designed for use on modern, touch-enabled PCs, Monitor Pro is an intuitive and powerful air management/telemetry solution meant to complement existing accountability practices. Monitor Pro works with all SEMS-equipped 3M™ Scott™ Air-Pak™ SCBA, though some features are only available when used with the 3M™ Scott™ Air-Pak™ XD or Air-Pak™ X3 Pro SCBA.

Core Components

Catalog Number	Description
8006951	3M™ Scott™ Monitor Pro Telemetry Software Solution
201088-03	3M™ Scott™ SEMS II Gateway*
70-0020-1005-9	3M™ Scott™ SEMS 3.0 Gateway**
201051-01	3M™ Scott™ SEMS II Repeater*

Accessories / Hardware

Catalog Number	Description
200773-01	RFID Reader/Writer*
200774-01	RFID cards, 10 pack*
201280-01	Button Tag, 10 pack*

*Not compatible with the 3M™ Scott™ Air-Pak™ XD SCBA configured with the 3M™ Scott™ SEMS 3.0 Wireless SCBA Telemetry System.

**Compatible only with the 3M™ Scott™ Air-Pak™ XD SCBA configured with the 3M™ Scott™ SEMS 3.0 Wireless SCBA Telemetry System.



FIRE
FRISCO
DEPARTMENT

BC 1
FRISCO
HAINES
509

3M™ Scott™ V320 Thermal Imager



3M™ Scott™ V320 Thermal Imager

Catalog Number	Temp	Description
8007134	F	V320 Thermal Imager (Fahrenheit) – Kit includes two batteries, retractable lanyard, desktop charger and truck holder kit in a carton. Three years of warranty.
8007135	C	V320 Thermal Imager (Celsius) – Kit includes two batteries, retractable lanyard, desktop charger and truck holder kit in a carton. Three years of warranty.

Accessories for 3M™ Scott™ V320 Thermal Imager

Catalog Number	Description
8007136	V-Series Retractable Lanyard
8007137	V-Series Battery Charger
8007138	V-Series Charger Power Supply
8007139	V-Series Standard Battery
78-8151-2502-2	Truck Mount Holder

3M™ Scott™ Sight In-Mask Thermal Imager

For use with 3M™ Scott™ AV-3000 HT Facepiece.



3M™ Scott™ Sight In-Mask Thermal Imager

Catalog Number	Description
201581-01	Sight In-Mask Thermal Imager Full Kit – Small 5 Strap
201581-02	Sight In-Mask Thermal Imager Full Kit w/comms* – Small 5 Strap
201581-11	Sight In-Mask Thermal Imager Full Kit – Small 4 Strap
201581-12	Sight In-Mask Thermal Imager Full Kit w/comms* – Small 4 Strap
201582-01	Sight In-Mask Thermal Imager Full Kit – Medium 5 Strap
201582-02	Sight In-Mask Thermal Imager Full Kit w/comms* – Medium 5 Strap
201582-11	Sight In-Mask Thermal Imager Full Kit – Medium 4 Strap
201582-12	Sight In-Mask Thermal Imager Full Kit w/comms* – Medium 4 Strap
201583-01	Sight In-Mask Thermal Imager Full Kit – Large 5 Strap
201583-02	Sight In-Mask Thermal Imager Full Kit w/comms* – Large 5 Strap
201583-11	Sight In-Mask Thermal Imager Full Kit – Large 4 Strap
201583-12	Sight In-Mask Thermal Imager Full Kit w/comms* – Large 4 Strap
201584-01	Sight In-Mask Thermal Imager Install Kit – Small
201584-02	Sight In-Mask Thermal Imager Install Kit w/comms* – Small
201585-01	Sight In-Mask Thermal Imager Install Kit – Medium
201585-02	Sight In-Mask Thermal Imager Install Kit w/comms* – Medium
201586-01	Sight In-Mask Thermal Imager Install Kit – Large
201586-02	Sight In-Mask Thermal Imager Install Kit w/comms* – Large

* Includes left-sided communications mounting bracket.

3M™ Scott™ Sight In-Mask Thermal Imager with Pro Package

For use with 3M™ Scott™ AV-3000 HT Facepiece.



3M™ Scott™ Sight In-Mask Thermal Imager with Pro Package

Catalog Number	Description
201581-01P	Sight In-Mask Thermal Imager with Pro Package Full Kit – Small 5 Strap
201581-02P	Sight In-Mask Thermal Imager with Pro Package Full Kit w/comms* – Small 5 Strap
201581-11P	Sight In-Mask Thermal Imager with Pro Package Full Kit – Small 4 Strap
201581-12P	Sight In-Mask Thermal Imager with Pro Package Full Kit w/comms* – Small 4 Strap
201582-01P	Sight In-Mask Thermal Imager with Pro Package Full Kit – Medium 5 Strap
201582-02P	Sight In-Mask Thermal Imager with Pro Package Full Kit w/comms* – Medium 5 Strap
201582-11P	Sight In-Mask Thermal Imager with Pro Package Full Kit – Medium 4 Strap
201582-12P	Sight In-Mask Thermal Imager with Pro Package Full Kit w/comms* – Medium 4 Strap
201583-01P	Sight In-Mask Thermal Imager with Pro Package Full Kit – Large 5 Strap
201583-02P	Sight In-Mask Thermal Imager with Pro Package Full Kit w/comms* – Large 5 Strap
201583-11P	Sight In-Mask Thermal Imager with Pro Package Full Kit – Large 4 Strap
201583-12P	Sight In-Mask Thermal Imager with Pro Package Full Kit w/comms* – Large 4 Strap
201584-01P	Sight In-Mask Thermal Imager with Pro Package Install Kit – Small
201584-02P	Sight In-Mask Thermal Imager with Pro Package Install Kit w/comms* – Small
201585-01P	Sight In-Mask Thermal Imager with Pro Package Install Kit – Medium
201585-02P	Sight In-Mask Thermal Imager with Pro Package Install Kit w/comms* – Medium
201586-01P	Sight In-Mask Thermal Imager with Pro Package Install Kit – Large
201586-02P	Sight In-Mask Thermal Imager with Pro Package Install Kit w/comms* – Large

* Includes left-sided communications mounting bracket.

3M™ Scott™ Universal Bluetooth® Programmer

Catalog Number	Description
201243-02**	Universal Bluetooth® Programmer

**For use in downloading thermal video recorded with the 3M™ Scott™ Sight In-Mask Thermal Imager with Pro Package.



3M™ Scott™ Pak-Tracker Firefighter Locator System



3M™ Scott™ Pak-Tracker Firefighter Locator System

Catalog Number	Description
200266-04	Pak-Tracker Hand-Held Receiver Kit

Accessories for 3M™ Scott™ Pak-Tracker Firefighter Locator System

Catalog Number	Description
200433-01	Pak-Tracker Hand-Held Receiver Truck Charging System, 12V DC
200433-02	Pak-Tracker Hand-Held Receiver Truck Charging System, 110V AC
200434-01	Pak-Tracker Hand-Held Receiver Desktop Charging System, 110V AC
200673-01*	Pak-Link Programmer/Data-logger

* For use in programming the Pak-Tracker ID of 3M™ Scott™ Air-Pak™ SCBA; may also be used for downloading PASS data from any 3M™ Scott™ Air-Pak™ SCBA certified to the NFPA 1981/1982, 2007 Edition standards (and newer), including pneumatic data introduced as part of the 2018 Edition standard.

Note: For the 3M™ Scott™ Air-Pak™ XD or Air-Pak X3 Pro SCBA, customers may also use the universal mobile application.

3M™ Scott™ RIT-Pak Fast Attack Emergency Air Supply System



3M™ Scott™ RIT-Pak Fast Attack Emergency Air Supply System (without Cylinder)

Catalog Number	Bag Size	Pressure (psig)	Carrying Bag	6' EBSS Hose	5' RIC Hose	Facepiece Model	Regulator Model
201564-01	Medium	4500	●	Hansen	●	AV-3000 (RIT-style)	E-Z Flo
201564-02	Medium	5500	●	Hansen	●	AV-3000 (RIT-style)	E-Z Flo
201564-03	Small	4500	●	Hansen	●	AV-3000 (RIT-style)	E-Z Flo
201564-11*	Medium	4500	●	Rectus	●	AV-3000 (RIT-style)	E-Z Flo
201564-12*	Medium	5500	●	Rectus	●	AV-3000 (RIT-style)	E-Z Flo
201564-13*	Small	4500	●	Rectus	●	AV-3000 (RIT-style)	E-Z Flo
201564-21	Medium	4500	●	Hansen	●	Vision C5 (RIT-style)	E-Z Flo C5
201564-22	Medium	5500	●	Hansen	●	Vision C5 (RIT-style)	E-Z Flo C5
201564-23	Small	4500	●	Hansen	●	Vision C5 (RIT-style)	E-Z Flo C5
201564-31*	Medium	4500	●	Rectus	●	Vision C5 (RIT-style)	E-Z Flo C5
201564-32*	Medium	5500	●	Rectus	●	Vision C5 (RIT-style)	E-Z Flo C5
201564-33*	Small	4500	●	Rectus	●	Vision C5 (RIT-style)	E-Z Flo C5

*Compatible with Rectus-type fittings used on SCBA certified to the NFPA 1981, 2018 Edition standard.

Cylinders for 3M™ Scott™ RIT-Pak Fast Attack Emergency Air Supply System

Catalog Number	Description
201561-01	Cylinder and Valve (90°), 4500 psig, 15-min
200870-01	Cylinder and Valve (90°), 4500 psig, 30-min
201567-01	Cylinder and Valve (90°), 5500 psig, 30-min
201568-01	Cylinder and Valve (90°), 5500 psig, 45-min

Accessories for 3M™ Scott™ RIT-Pak Fast Attack Emergency Air Supply System

Catalog Number	Description
201558-01	RIT-Pak Fast Attack, Bag, Medium
201558-02	RIT-Pak Fast Attack, Bag, Small
201600-01	RIT-Pak Fast Attack, Shoulder Strap Assembly
201595-01	RIT-Pak Fast Attack, AV-Series Facepiece
201605-02	RIT-Pak Fast Attack, E-Z Flo Regulator, Hansen
201605-03	RIT-Pak Fast Attack, E-Z Flo Regulator, Rectus
31003648	RIT-Pak Fast Attack, Carabiner
201825-01	Vision C5 Facepiece, RIT-Pak Variant
201673-03	RIT-Pak Fast Attack, E-Z Flo C5 Regulator, Hansen
201673-04	RIT-Pak Fast Attack, E-Z Flo C5 Regulator, Rectus

3M™ Scott™ RIT-Pak III Emergency Air Supply System



3M™ Scott™ RIT-Pak III Emergency Air Supply System (without Cylinder)

Catalog Number	Bag Size	Pressure (psig)	Carrying Bag	6' EBSS Hose	5' RIC Hose	Facepiece Model	Regulator Model
200954-01	Large	2216	●	Hansen	●	AV-3000 (RIT-style)	E-Z Flo
200954-02	Large	4500	●	Hansen	●	AV-3000 (RIT-style)	E-Z Flo
200954-05	Large	5500	●	Hansen	●	AV-3000 (RIT-style)	E-Z Flo
200954-11*	Large	2216	●	Rectus	●	AV-3000 (RIT-style)	E-Z Flo
200954-12*	Large	4500	●	Rectus	●	AV-3000 (RIT-style)	E-Z Flo
200954-15*	Large	5500	●	Rectus	●	AV-3000 (RIT-style)	E-Z Flo
200954-21	Large	2216	●	Hansen	●	Vision C5 (RIT-style)	E-Z Flo C5
200954-22	Large	4500	●	Hansen	●	Vision C5 (RIT-style)	E-Z Flo C5
200954-25	Large	5500	●	Hansen	●	Vision C5 (RIT-style)	E-Z Flo C5
200954-31*	Large	2216	●	Rectus	●	Vision C5 (RIT-style)	E-Z Flo C5
200954-32*	Large	4500	●	Rectus	●	Vision C5 (RIT-style)	E-Z Flo C5
200954-35*	Large	5500	●	Rectus	●	Vision C5 (RIT-style)	E-Z Flo C5

*Compatible with Rectus-type fittings used on SCBA certified to the NFPA 1981, 2018 Edition standard.

Accessories for 3M™ Scott™ RIT-Pak III Emergency Air Supply System

Catalog Number	Description
200955-01	RIT-Pak III Bag, Less Shoulder Strap
200989-01	RIT-Pak III, Shoulder Strap Assembly
200959-01	RIT-Pak III, AV-3000 Facepiece
200962-01	RIT-Pak III, E-Z Flo Regulator, Hansen
200962-02	RIT-Pak III, E-Z Flo Regulator, Rectus
200991-01	RIT-Pak III, Carrying Strap
201825-01	Vision C5 Facepiece, RIT-Pak Variant
201673-01	RIT-Pak III, E-Z Flo C5 Regulator, Hansen
201673-02	RIT-Pak III, E-Z Flo C5 Regulator, Rectus

3M™ Scott™ AV-632 Bayonet Adapter

For use with Cartridges and Canisters.



3M™ Scott™ AV-632 Bayonet Adapter

Catalog Number	Description	Pieces Per Pkg
XP-1008-4113-7	AV-632 Bayonet Adapter*	5
78-8151-2385-2	Exhalation valve cover for AV-632 bayonet adapter	1

*Note: The 3M™ Scott™ 742 series twin cartridge 1/4 turn adapter (805622-01) is no longer available. The 3M™ Scott™ AV-632 Bayonet Adapter is the replacement product for use with the 3M™ Scott™ AV-3000 SureSeal Facepiece or 3M™ Scott™ AV-3000 HT Facepiece and 3M filters and cartridges on page 59.

3M™ Scott™ 40mm Adapters

Catalog Number	Description	Pieces Per Pkg
805059-01	40 mm Canister Adapter	1
200423-01+	40 mm First Responder Adapter	1
200423-02**	40 mm First Responder Adapter	1

+Approved for use with the 3M™ Scott™ AV-3000 SureSeal Facepiece (NIOSH 42 CFR + NIOSH CBRN) and 3M™ Scott™ AV-3000 HT Facepiece (NIOSH 42 CFR).

**Approved for use with the 3M™ Scott™ AV-3000 HT Facepiece (NIOSH 42 CFR + NIOSH CBRN).

Quantitative Fit Testing Adapters for use with TSI PortaCount

Facepiece to be Fit Tested	Quantitative Fit Test Probe Adapter Required	Filter Required	Facepiece Adapter Required
40 mm Cartridge Series	805628-01	052683	805059-01
AV-3000 Series, Weld-O-Vista Facepiece	●	●	●
Vision C5		●	201520-01
3M Bayonet Cartridges, 6000 Series	601	2091	XP-1008-4113-7
AV-3000 SureSeal Facepiece, AV-3000 HT Facepiece	●	●	●

3M™ Particulate Filters and Cartridges



3M Bayonet Cartridges and Filters

3M™ Organic Vapor/Acid Gas Cartridge/Filter (6000 series)

Catalog Number	Description	Pieces Per Pkg
6001	Organic Vapor	60
6002	Acid Gas	60
6003	Organic Vapor/Acid Gas	60
6004	Ammonia/Methylamine	60
6005	Formaldehyde/Organic Vapor	60
6006	Multi-Gas/Vapor	60
6007	Mercury/Organic Vapor/Acid Gas	60

3M™ Combination Cartridges/ P100 Particulate Filters (6000 series)

Catalog Number	Description	Pieces Per Pkg
60921	Organic Vapor/P100	60
60922	Acid Gas/P100	60
60923	Organic Vapor/Acid Gas/P100	60
60924	Ammonia/Methylamine/P100	60
60925	Formaldehyde/Organic Vapor/P100	60
60926	Multi-Gas/Vapor/P100	60
60927	Mercury/Organic Vapor/AG/P100	60
60928	Organic Vapor/Acid Gas/P100 3M recommended for use against methylbromide or radioiodine up to 5 ppm with daily cartridge replacement.	60

3M™ Particulate Filters

Catalog Number	Description	Pieces Per Pkg
2091	P100	100
5N11	N95 Prefilter	100
5P71	P95 Prefilter	100
2071	P95	100
2076HF	P95 HF with Nuisance Level AG relief. (Nuisance levels are less than OSHA PEL.)	100
2078	P95 with Nuisance Level OV and AG relief. (Nuisance levels are less than OSHA PEL.)	100
2096	P100 with Nuisance Level AG relief. (Nuisance levels are less than OSHA PEL.)	100
2097	P100 with Nuisance Level OV relief. (Nuisance levels are less than OSHA PEL.)	100
2291	P100	100
2296	P100 filter with Nuisance Level AG relief. (Nuisance levels are less than OSHA PEL.)	100
2297	P100 filter with Nuisance Level OV relief. (Nuisance levels are less than OSHA PEL.)	100
7093	P100	100
7093C	P100 HF with Nuisance Level OV and AG relief. (Nuisance levels are less than OSHA PEL.)	100

Retainers

Catalog Number	Description	Pieces Per Pkg
603	Filter Retainer/Filter Adapter	16
501	Filter Retainer	100
502	Filter Adapter (The 502 filter adapter is not NIOSH approved on any of the 3M Scott facepiece respirators)	100


Accessories

Catalog Number	Description	Pieces Per Pkg
601	Quantitative Fit Test Adapter	1

3M™ Scott™ 40 mm Cartridges and Canisters



3M™ Scott™ 40 mm Cartridges and Canisters

Catalog Number	Description	Pieces Per Pkg
805557-01	MPC Plus Cartridge	1
052683	40 mm P100 (HEPA) Cartridge	1
045123	Enforcement Cartridge	1
045135	CBRN Cap-1 Canister* 	1
8004109	TAC 1 Cartridge (For FRR facepiece only)	1
045170	MPC40PF Cartridge	1

*Approved for use with the AV-3000 SureSeal Facepiece and 40 mm First Responder Adapter (200423-01) or AV-3000 HT Facepiece and 40 mm First Responder Adapter (200423-02)

Bitrex

3M™ Qualitative Fit Test Kit



3M™ Qualitative Fit Test Kit

Catalog Number	Description	Pieces Per Pkg
2017070	Bitrex 3M™ Qualitative Fit Test Kit	1

3M™ Qualitative Fit Test Kit – Spare Parts

Catalog Number	Description	Pieces Per Pkg
2017093	Fit Test Solution Applicator Kit (6 ampoules/box)	6
2017092	Sensitivity Solution Applicator Kit (6 ampoules/box)	6
2017094	Nebulizer	1
2017095	Test Hood	1
FT-10	Fit Test Kit, Quantitative, Sweet	1
FT-30	Fit Test Kit, Quantitative, Bitter	1

Fit Test Parts and Accessories For Use With 3M™ Scott™ 40 mm Cartridges and Canisters

Catalog Number	Description	Pieces Per Pkg
805059-01	40 mm Canister Adapter	1
052683	40 mm P100 (HEPA) Cartridge	1

3M™ Scott™ C420 Plus CBRN Powered Air-Purifying Respirator (PAPR)



3M™ Scott™ C420 Plus CBRN Powered Air-Purifying Respirator (PAPR)

Blower	LiSO2 Battery	Decon Belt	30" CBRN AV-PAPR Hose (Use with AV-Facepieces.*)	36" CBRN AV-PAPR Hose (Use with AV-Facepieces.*)
Catalog No: 200699-01	805358-01	805359-01	200829-30	200829-36

PAPR Blowers:

200699-01	●			
200698-00	●	●		
<i>For use with 3M™ Scott™ AV-3000 SureSeal Facepiece or 3M™ Scott™ AV-3000 HT Facepiece (sold separately)</i>				
200830-30	●	●	●	
200830-36	●	●		●
200833-30	●	●	●	
200833-36	●	●		●

*AV-PAPR hose connects directly to AV-series facepieces.

**The 3M™ Scott™ C420 Plus CBRN Powered Air-Purifying Respirator (PAPR) is also approved for NIOSH non-CBRN applications; Additional configurations are available.

CBRN Canister:

Catalog Number	Description
045135	CBRN Cap-1 Canister 

Other NIOSH approved canisters:

Catalog Number	Description
045170	MPC40PF
045123	Enforcement Cartridge
052683	40mm P100 (HEPA) Cartridge

3M™ Scott™ C420 Plus CBRN Powered Air-Purifying Respirator (PAPR) Parts and Accessories

Catalog Number	Description	Pieces Per Pkg
Facepiece		
See Pg 47-49	AV-3000 HT Facepiece with Kevlar® Head Harness	1
See Pg 50-52	AV-3000 SureSeal Facepiece with Kevlar® Head Harness	1
Breathing Tubes		
200829-30	30" AV-PAPR Breathing Tube for approved AV-series facepieces	1
200829-36	36" AV-PAPR Breathing Tube for approved AV-series facepieces	1
PAPR Blower Unit		
200698-00	C420 Plus CBRN PAPR Blower Kit (Blower, decon belt, airflow indicator)	1
200699-01	C420 Plus CBRN PAPR Blower only	1
805359-01	Decontamination Belt	1
805374-01	Airflow Indicator	1
Batteries		
805358-01	LiSO2 Battery	1
31002361	(Black) End cap for LiSO2 Battery	
200701-01	NiMH Rechargeable Battery Conversion Kit, (Single Bank Charger, NiMH Battery, End Cap)	1
31001504	NiMH Rechargeable Battery Pack	1
31001506	(Green) End Cap for NiMH Rechargeable Battery	1
200703-01	Single Unit Battery Recharger	1
Carry Case		
31000578	Duffle bag carry case	1
See Pages 46	Cartridges and Canisters	

3M™ Scott™ Ska-Pak AT Supplied-Air Respirator



SAR Model	Entry/Egress	Pressure (psig)	Cylinder	Harness ③	Regulator	Airline	Facepiece ①	Case ②	Packaging
4 Ska-Pak AT SAR	2 Entry/Egress	2 2216	00 None	3 Nylon	3 E-Z Flo Vibralert	1 Hansen	0 None	0 None	1 One Per Box
		3 3000	01 2216/Aluminum/3 min	4 Kevlar®	4 E-Z Flo Vibralert QD	2 Schrader	3 AV-3000 SureSeal Facepiece, Kevlar® (M)		
		4 4500	02 3000/Carbon/5 min	5 FBH (S)		3 Cejn	6 AV-3000 SureSeal Facepiece Poly (M)		
			03 3000/Carbon/10 min	6 FBH (M)		4 Hansen HK Plug	9 AV-3000 SureSeal Facepiece Rubber (M)		
			06 4500/Carbon/15 min	7 FBH (L)		5 Hansen HK Socket			
			Drained	8 FBH (XL)					
			AA 2216/Aluminum/3 min	9 FBH (2XL)					
			BB 3000/Carbon/5 min						
			CC 3000/Carbon/10 min						
			FF 4500/Carbon/15 min						

1. Catalog Number:
Select a one or two digit number per box from the chart above that corresponds to your choice.

SAR	4	2	X	XX	0	X	X	X	X	X	1
-----	---	---	---	----	---	---	---	---	---	---	---

- ① If you prefer an alternate facepiece style, head harness, or size, choose "none" and order an approved facepiece as a separate line item (see pages 23-28 for selection).
- ② Cases are not compatible with select 3M™ Scott™ Ska-Pak AT Supplied-Air Respirator configurations. Please choose "none" for case option and order case separately as required noting that fit on all configurations cannot be guaranteed.
- ③ The FBH (full-body harness) option is not available for sale in Canada.

Example

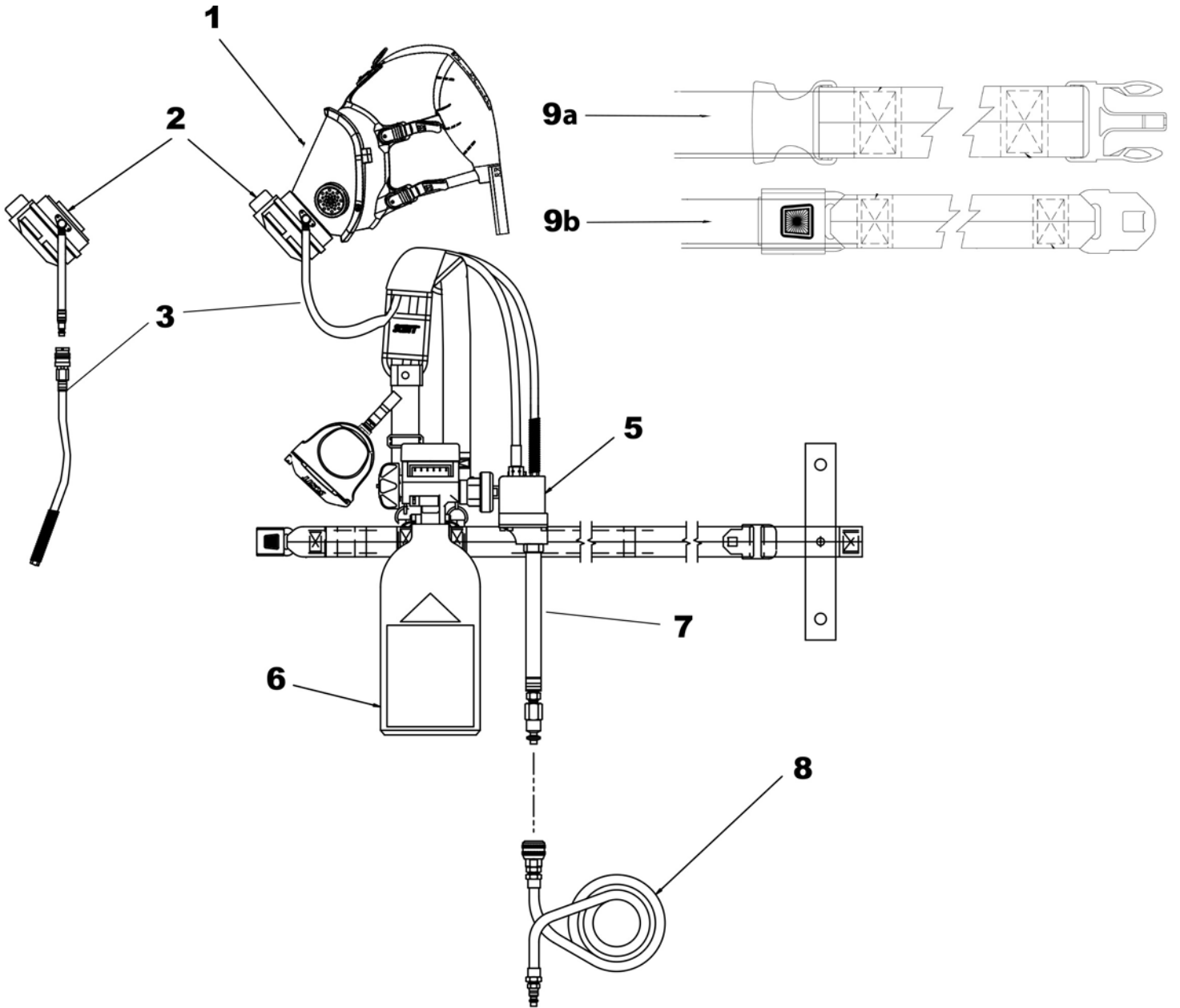
Ska-Pak AT SAR
For entry/egress, with 3000 psig 10 min carbon cylinder, Kevlar® harness, with E-Z Flo Vibralert, Hansen airline, no case, shipped one per box.

SAR	4	2	3	03	0	4	3	1	0	0	1
-----	---	---	---	----	---	---	---	---	---	---	---

In this example, order facepiece and case separately.

This configurator is a guide to 3M™ Scott™ Ska-Pak AT Supplied-Air Respirator catalog numbers.

3M™ Scott™ Ska-Pak AT Supplied-Air Respirator



3M™ Scott™ Ska-Pak AT Supplied-Air Respirator Parts and Accessories

Item Number	Description	Pieces Per Pkg	Catalog Number
1	Facepiece		
1a	AV-3000 HT Facepiece	See Pages 23-25	
1b	AV-3000 SureSeal Facepiece	See Pages 26-28	
2	Regulator		
2a	E-Z Flo with Vibralert	1	804370-09
2b	E-Z Flo with Vibralert Quick Disconnect	1	804370-02
3	Quick Disconnect Hose Assembly	1	804694-05
4	Harnesses		
4a	Nylon	1	804982-01
4b	Kevlar®	1	804981-01
4c*	Full Body Harness, Small	1	78-8151-6265-2
4d*	Full Body Harness, Medium	1	78-8151-6266-0
4e*	Full Body Harness, Large	1	78-8151-6267-8
4f*	Full Body Harness, X Large	1	78-8151-6268-6
4g*	Full Body Harness, 2XL	1	78-8151-6269-4
5	Pressure Reducers		
5a	2216/3000 psig, Entry/Egress	1	200031-03
5b	4500 psig, Entry/Egress	1	200031-04
6	Cylinder and Valve Assemblies		
6a	2216 psig, Aluminum, 3-minute	1	805031-01
6b	3000 psig, Carbon, 5-minute	1	805947-02
6c	3000 psig, Carbon, 10-minute	1	805948-02
6f	4500 psig, Carbon, 15-minute	1	200779-01
7	Airlines Hose and Fittings		
7a	Airline Hose with Hansen/Foster Fitting	1	804305-01
7b	Airline Hose with Schrader Fitting	1	804305-02
7c	Airline Hose with Hansen HK Fitting Plug	1	804305-03
8	Airlines Supply Hoses	See Page 61	
9	Waist Extension Belts		
9a	Kevlar® Extension Belt, 1.5 Inches Wide	1	805088-01
9b	Nylon Extension Belt, 2 Inches Wide	1	805088-02
10	Accessories (Not shown)		
10a**	Ska-Pak Series Hard Case	1	803278-01

* Full Body Harness option is not available for sale in Canada.

** Cases are not compatible with select 3M™ Scott™ Ska-Pak AT Supplied-Air Respirator configurations.

3M™ Scott™ Ska-Pak Plus Supplied-Air Respirator



SAR Model	Entry/Egress ①	Pressure (psig) ②	Cylinder	Harness ④ ⑤	Regulator	Airline	Facepiece ③	Case	Packaging
3 Ska-Pak Plus SAR	2 Entry/Egress	2 2216	00 None	3 Nylon	1 E-Z Flo	0 None	0 None	0 None	1 One Per Box
	3 Egress Only	3 3000	01 2216/Aluminum/5 min	4 Kevlar®	2 E-Z Flo Modulair QD	1 Hansen	3 AV-3000 SureSeal Facepiece, Kevlar® (M)	1 Hard Case	
		4 4500	02 3000/Carbon/5 min	5 FBH (S)		2 Schrader	6 AV-3000 SureSeal Facepiece Poly (M)		
		8 4500 E-Z Fill	03 3000/Carbon/10 min	6 FBH (M)		3 Cejn	9 AV-3000 SureSeal Facepiece Rubber (M)		
			06 4500/Carbon/15 min	7 FBH (L)		4 Hansen HK Plug			
				8 FBH (XL)		5 Hansen HK Socket			
		AA 2216/Aluminum/5 min	9 FBH (2XL)						
		BB 3000/Carbon/5 min							
		CC 3000/Carbon/10 min							
		FF 4500/Carbon/15 min							

1. Catalog Number:

Select a one or two digit number per box from the chart above that corresponds to your choice.

SAR	3	X	X	XX	0	X	X	X	X	X	1
-----	---	---	---	----	---	---	---	---	---	---	---

- ① Must select entry/egress to select an Airline option.
- ② Pressure with E-Z Fill designation utilizes an alternate filling connection fitting on the cylinder valve to enable convenient charging of the cylinder.
- ③ If you prefer an alternate facepiece style, head harness, or size, choose "none" and order an approved Facepiece as a separate line item (see pages 23-28 for selection).
- ④ The FBH (full-body harness) option is not available for sale in Canada.
- ⑤ The XL and 2XL full-body harness sizes are not available when selecting the E-Z Flo Vibralert (non-QD) regulator option.

Example

Ska-Pak Plus
For entry/egress, with 2216 psig 5 min Aluminum cylinder, Kevlar® harness, with E-Z Flo Regulator, Hansen airline, no facepiece, no case, shipped one per box.

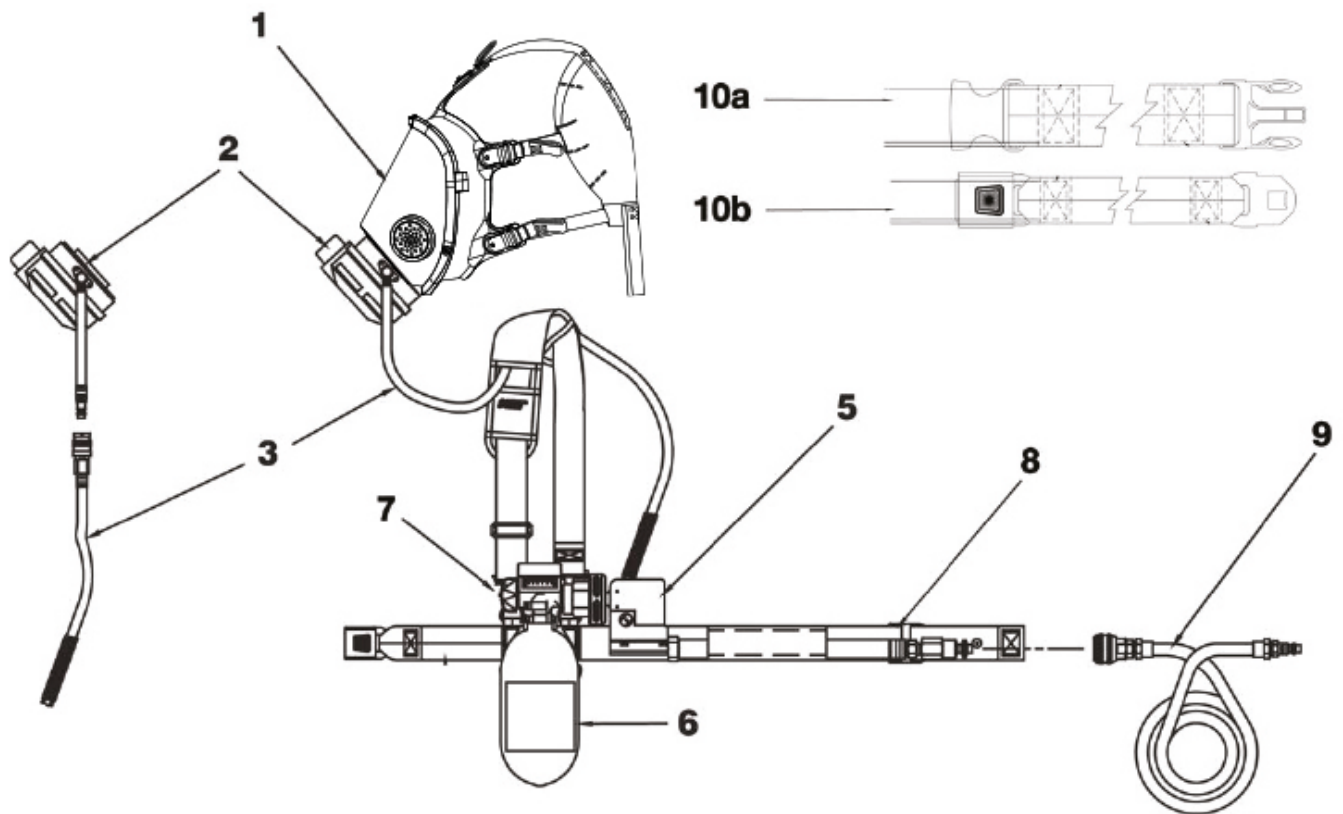
SAR	3	2	2	01	0	4	1	1	0	0	1
-----	---	---	---	----	---	---	---	---	---	---	---

In this example, order facepiece and case separately.

This configurator is a guide to 3M™ Scott™ Ska-Pak Plus Supplied-Air Respirator catalog numbers.

Powered and Supplied-Air

3M™ Scott™ Ska-Pak Plus Supplied-Air Respirator



3M™ Scott™ Ska-Pak Plus Supplied-Air Respirator Parts and Accessories

Item Number	Description	Pieces Per Pkg	Catalog Number
1	Facepiece		
1a	AV-3000 HT Facepiece	See Pages 23-25	
1b	AV-3000 SureSeal Facepiece	See Pages 26-28	
2	Regulator		
2a	E-Z Flo	1	804221-01
2b	E-Z Flo with Modulair Quick Disconnect	1	804441-05
3	Quick Disconnect Hose Assembly	1	804694-01
4	Harnesses		
4a	Kevlar®	1	804981-01
4b	Nylon	1	804982-01
4c **	Full Body Harness, Small	1	78-8151-6265-2
4d **	Full Body Harness, Medium	1	78-8151-6266-0
4e **	Full Body Harness, Large	1	78-8151-6267-8
4f **	Full Body Harness, X Large	1	78-8151-6268-6
4g **	Full Body Harness, 2XL	1	78-8151-6269-4
5	Pressure Reducers		
5a	Pressure Reducer Assembly, 2216/3000 psig	1	804304-11
5f	Pressure Reducer Assembly, 4500 psig	1	804304-01
5g	Pressure Reducer Assembly, 4500 psig (Escape only)	1	804310-01
6	Cylinder and Valve Assemblies		
6a	2216 psig, Aluminum, 5-minute	1	805031-01
6b	3000 psig, Carbon, 5-minute	1	805947-02
6c	3000 psig, Carbon, 10-minute	1	805948-02
6f	4500 psig, Carbon, 15-minute	1	200779-01
7	E-Z Fill Cylinder and Valve Assembly		
7a	4500 psig, Carbon, 15-minute		201389-01
8	Airlines Hose and Fittings		
8a	Airline Hose with Hansen/Foster Fitting	1	804305-01
8b	Airline Hose with Schrader Fitting	1	804305-02
8c	Airline Hose with Hansen HK Fitting Plug	1	804305-03
9	Airlines Supply Hose	See Page 61	
10	Waist Extension Belts		
10a	Nylon Extension Belt, 2 Inches Wide	1	805088-02
10b	Kevlar® Extension Belt, 1.5 Inches Wide	1	805088-01
11	Accessories		
11a *	Ska-Pak Series Hard Case	1	803278-01

* Cases are not compatible with select 3M™ Scott™ Ska-Pak Plus Supplied-Air Respirator configurations.

** Full Body Harness option is not available for sale in Canada.

3M™ Scott™ Ska-Pak Supplied-Air Respirator



SAR Model	Entry/Egress ①	Pressure ④ (psig)	Cylinder ②	Harness	Regulator	Airline	Facepiece ③	Case	Packaging
2 Ska-Pak SAR	2 Entry/Egress	2 2216	00 None	2 Polypropylene	1 E-Z Flo	0 None	0 None	0 None	1 One Per Box
	3 Egress Only	4 4500	01 2216/Aluminum/5 min	4 Kevlar®		1 Hansen	3 AV-3000 SureSeal Facepiece, Kevlar® (M)	1 Hard Case	
		8 4500 E-Z Fill	06 4500/Carbon/15 min			2 Schrader	6 AV-3000 SureSeal Facepiece Poly (M)		
			Drained			3 Cejn	9 AV-3000 SureSeal Facepiece Rubber (M)		
			AA 2216/Aluminum/5 min			4 Hansen HK Plug			
			FF 4500/Carbon/15 min			5 Hansen HK Socket			

1. Catalog Number:

Select a one or two digit number per box from the chart above that corresponds to your choice.

SAR	2	X	X	XX	0	X	1	X	X	X	1
-----	---	---	---	----	---	---	---	---	---	---	---

① Must select entry/egress to select an Airline option.

② Cylinder clamps not included when selecting option 00.

③ If you prefer an alternate facepiece style, head harness, or size, choose "none" and order an approved facepiece as a separate line item (see pages 23-28 for selection).

④ Pressure with E-Z Fill designation utilizes an alternate filling connection fitting on the cylinder valve to enable convenient charging of the cylinder.

Example

Ska-Pak SAR

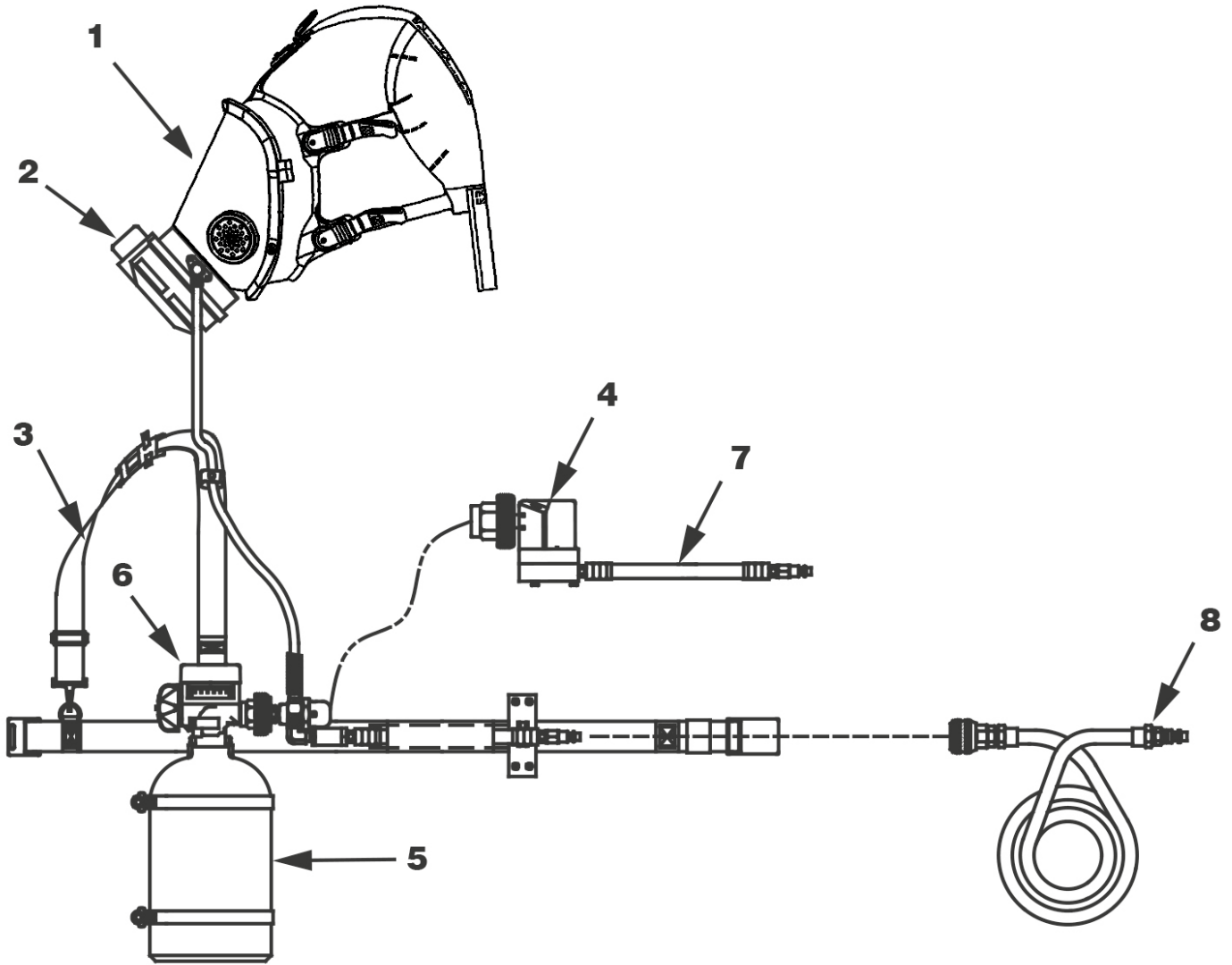
For entry/egress, with 2216 psig 5 min Aluminum cylinder, Polypropylene Harness, with E-Z Flo Regulator, Hansen airline, no facepiece, no case, shipped one per box.

SAR	2	2	2	01	0	2	1	1	0	0	1
-----	---	---	---	----	---	---	---	---	---	---	---

In this example, order facepiece and case separately.

This configurator is a guide to 3M™ Scott™ Ska-Pak Supplied-Air Respirator catalog numbers.

3M™ Scott™ Ska-Pak Supplied-Air Respirator



3M™ Scott™ Ska-Pak Supplied-Air Respirator Parts and Accessories

Item Number	Description	Pieces Per Pkg	Catalog Number
1	Facepiece		
1a	AV-3000 HT Facepiece	See Pages 23-25	
1b	AV-3000 SureSeal Facepiece	See Pages 26-28	
2	E-Z Flo Regulator	1	804221-01
3	Harnesses		
3a	Polypropylene	1	802200-01
3b	Kevlar®	1	804307-01
4	Pressure Reducers		
4a	Pressure Reducer Assembly, 2216/3000 psig	1	804304-11
4c	Pressure Reducer Assembly, 4500 psig	1	804304-01
4d	Pressure Reducer Assembly, 4500 psig (Escape only)	1	804310-01
5	Cylinder and Valve Assemblies		
5a	Aluminum, 5-minute, 2216 psig	1	801935-03
5d	Carbon, 15-minute, 4500 psig	1	200779-03
6	E-Z Fill Cylinder and Valve Assembly		
6a	4500 psig, Carbon, 15-minute		201389-02
7	Airline Hose and Fittings		
7a	Airline Hose with Hansen/Foster Fitting	1	804305-01
7b	Airline Hose with Schrader Fitting	1	804305-02
7c	Airline Hose with Hansen HK Fitting Plug	1	804305-03
8	Airline Supply Hoses	See Page 61	
9	Accessories		
9a	Ska-Pak Series Hard Case	1	803278-01

3M™ Scott™ E-Z Airline Supplied-Air Respirator



3M™ Scott™ E-Z Airline Supplied-Air Respirator

Catalog Number	Harness	Facepiece	Regulator	Hose Fitting
804386-66	Nylon	Facepiece not included, order separately.	E-Z Flo with Modulair QD	Hansen
804386-62	Nylon	Facepiece not included, order separately.	E-Z Flo with Modulair QD	Schrader

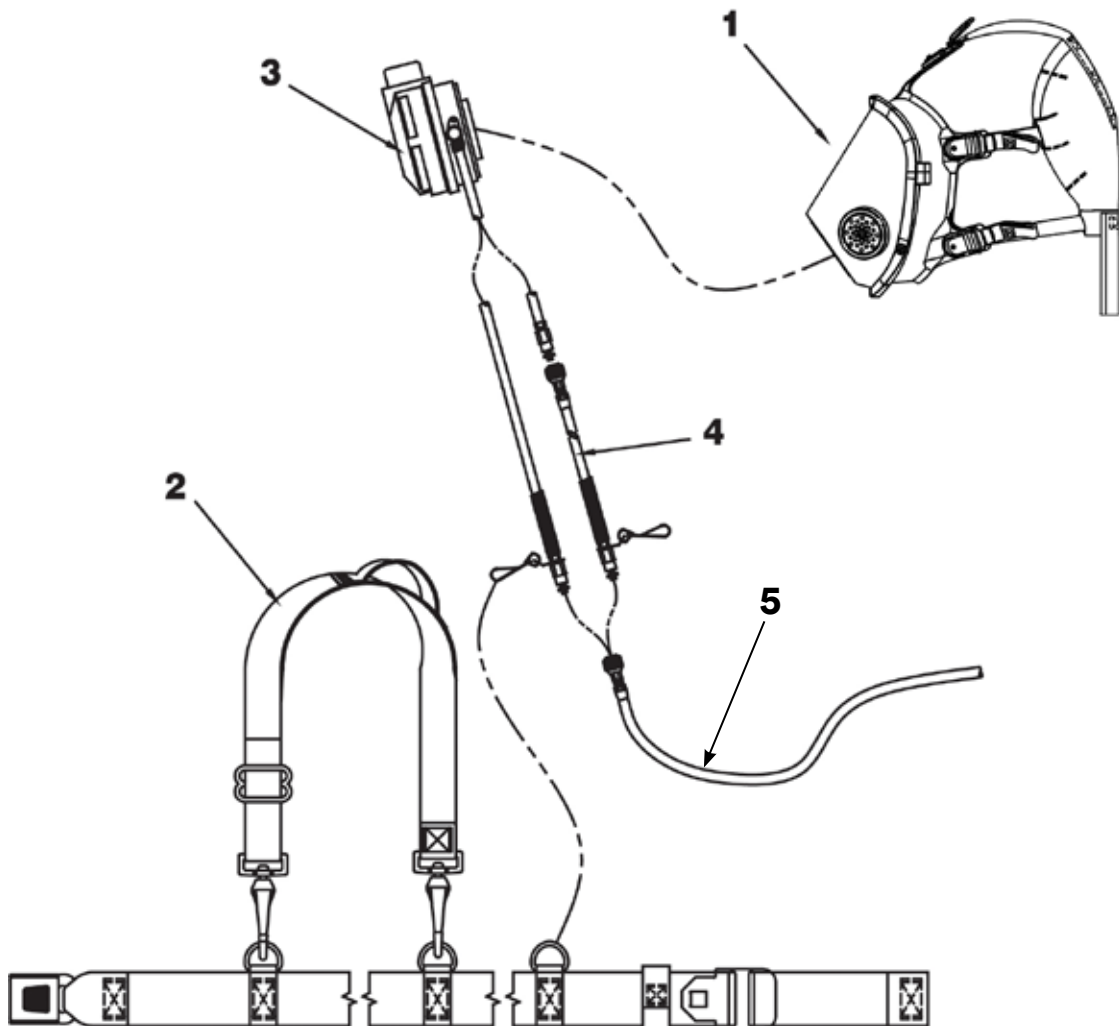
3M™ Scott™ E-Z Airline Supplied-Air Respirator (without Modulair)

Catalog Number	Harness	Facepiece	Regulator	Hose Fitting
804386-67	Nylon	Facepiece not included, order separately.	E-Z Flo	Hansen

Powered and Supplied-Air

3M™ Scott™ E-Z Airline Supplied-Air Respirator Parts and Accessories

Item Number	Description	Pieces Per Pkg	Catalog Number
1	Full Facepieces		
1a	AV-3000 HT Facepiece	See Pages 23-25	
1b	AV-3000 SureSeal Facepiece	See Pages 26-28	
2	Harness	1	804493-01
3	E-Z Flo Regulator		
3a	Without Modulair, Hansen	1	804441-01
3b	Without Modulair, Schrader	1	804441-02
3c	Without Modulair, Hansen HK	1	804441-03
3d	With Modulair	1	804679-01
4	Modulair Hose Assembly		
4a	Hose Assembly, Hansen	1	804694-04
4b	Hose Assembly, Schrader	1	804694-03
4c	Hose Assembly, Hansen HK	1	804694-02
5	Airline Supply Hoses	See Page 61	



Supply Hose Assemblies

Catalog Number	Description	Pieces Per Pkg
26369-006	Hansen HK, 6 Ft	1
26369-010	Hansen HK, 10 Ft	1
26369-025	Hansen HK, 25 Ft	1
26369-050	Hansen HK, 50 Ft	1
26369-100	Hansen HK, 100 Ft	1
26370-006	Foster, 6 Ft	1
26370-010	Foster, 10 Ft	1
26370-025	Foster, 25 Ft	1
26370-050	Foster, 50 Ft	1
26370-100	Foster, 100 Ft	1
26370-150	Foster, 150 Ft	1
30010-006	Hansen, 6 Ft	1
30010-010	Hansen, 10 Ft	1
30010-025	Hansen, 25 Ft	1
30010-050	Hansen, 50 Ft	1
30010-100	Hansen, 100 Ft	1
30010-150	Hansen, 150 Ft	1
30010-300	Hansen, 300 Ft	1
30020-006	Schrader, 6 Ft	1
30020-010	Schrader, 10 Ft	1
30020-025	Schrader, 25 Ft	1
30020-050	Schrader, 50 Ft	1
30020-100	Schrader, 100 Ft	1
30020-150	Schrader, 150 Ft	1
805659-006	Cejn, 6 Ft	1
805659-025	Cejn, 25 Ft	1
805659-050	Cejn, 50 Ft	1
805659-100	Cejn, 100 Ft	1

Pass-Thru Assemblies

Catalog Number	Description	Pieces Per Pkg
803620-01*	Pass-Thru Assembly, Hansen Fitting, Airline	1
803620-02*	Pass-Thru Assembly, Schrader Fitting, Airline	1
803620-05	Pass-Thru Assembly, Cejn Fitting, Airline	1
803620-03**	Pass-Thru Assembly, Hansen Fitting, Dual EBSS	1
803620-04**	Pass-Thru Assembly, Schrader Fitting, Dual EBSS	1

* For use with airline.

** For use with Dual EBSS.

*** Pass-thru devices are manufactured for use in protective chemical suits, e.g. Level A and Level B. NIOSH approvals for pass-thru devices in chemical suits are carried by the chemical suit manufacturer. The pass-thru devices must be installed by the suit manufacturer to maintain proper NIOSH approvals.

Note: UEBSS Rectus fitting is compatible with the Cejn fitting.

3M™ Scott™ Mobile Air Cart



3M™ Scott™ Mobile Air Cart (without Cylinders)

Catalog Number	Description	Pieces Per Pkg
805825-01	Mobile Air Cart, 2 Outlet, Hansen Style, Aux. Inlet	1
805825-04	Mobile Air Cart, 2 Outlet, Schrader, Aux. Inlet	1
805826-01	Mobile Air Cart, 4 Outlet, Hansen Style, Aux. Inlet	1
805826-04	Mobile Air Cart, 4 Outlet, Schrader Aux. Inlet	1
805827-01	Mobile Air Cart, 4 Outlet, 2 Tool, Hansen Style, Aux. Inlet	1
805827-04	Mobile Air Cart, 4 Outlet, 2 Tool, Schrader, Aux. Inlet	1

3M™ Scott™ TRC-1 Air Cart



3M™ Scott™ TRC-1 Air Cart (without Cylinders)

Catalog Number	Description	Pieces Per Pkg
200070-01	TRC-1 Air Cart, 8 Outlet, Aux. Inlet, Hansen Style	1
200070-03	TRC-1 Air Cart, 8 Outlets, Aux. Inlet, Hansen HK	1
200070-04	TRC-1 Air Cart, 8 Outlets, Aux. Inlet, Schrader	1
200070-05	TRC-1 Air Cart, 8 Outlets, Aux. Inlet, Cejn	1

See page 17-18 for applicable cylinders.

3M™ Scott™ ELSA Emergency Escape Breathing Device (EEBD)-N



3M™ Scott™ ELSA EEBD-N

Catalog Number	Description
8007212	ELSA EEBD 5 Min-N
8007213	ELSA EEBD 10 Min-N
8007212-D	ELSA EEBD 5 Min-N, Drained
8007213-D	ELSA EEBD 10 Min-N, Drained
8007196	ELSA Carry Bag Assy, 5 Min-N
8007197	ELSA Carry Bag Assy, 10 Min-N
8007198	ELSA Carry Bag Assy, 15 Min-N
8007210	ELSA Replacement Carry Strap-N
8007204	ELSA Replacement Hood w/Diffuser-N
2010173	Anti-Fog Wipe
2007294	Cylinder Fill Port Dust Covers (10/pkg)

Product Selection and Use: Many factors beyond 3M's control and uniquely within user's knowledge and control can affect the use and performance of a 3M product in a particular application. As a result, customer is solely responsible for evaluating the product and determining whether it is appropriate and suitable for customer's application, including conducting a workplace hazard assessment and reviewing all applicable regulations and standards (e.g., OSHA, ANSI, etc.). Failure to properly evaluate, select, and use a 3M product in accordance with all applicable instructions and with appropriate safety equipment, or to meet all applicable safety regulations, may result in injury, sickness, death, and/or harm to property.

Warranty, Limited Remedy, and Disclaimer: Unless a different warranty is specifically stated on the applicable 3M product packaging or product literature (in which case such warranty governs), 3M warrants that each 3M product meets the applicable 3M product specification at the time 3M ships the product. 3M MAKES NO OTHER WARRANTIES OR CONDITIONS, EXPRESS OR IMPLIED, INCLUDING, BUT NOT LIMITED TO, ANY IMPLIED WARRANTY OR CONDITION OF MERCHANT ABILITY, FITNESS FOR A PARTICULAR PURPOSE, OR ARISING OUT OF A COURSE OF DEALING, CUSTOM, OR USAGE OF TRADE. If a 3M product does not conform to this warranty, then the sole and exclusive remedy is, at 3M's option, replacement or repair of the 3M product or refund of the purchase price. Warranty claims must be made within one (1) year from the date of 3M's shipment.

Limitation of Liability: Except for the limited remedy stated above, and except to the extent prohibited by applicable law, 3M will not be liable for any loss or damage arising from or related to the 3M product, whether direct, indirect, special, incidental, or consequential (including, but not limited to, lost profits or business opportunity), regardless of the legal or equitable theory asserted, including, but not limited to, warranty, contract, negligence, or strict liability.



Personal Safety Division
3M Scott Fire & Safety
P.O. Box 569
Monroe, NC 28111
1-800-247-7257

3M.com/ScottFire (US)
3M.ca/ScottFire (Canada)
3M.com/ScottIndustrial (US)
3M.ca/ScottIndustrial (Canada)

The Bluetooth® word mark and logos are registered trademarks owned by the Bluetooth SIG, Inc. Kevlar® is a registered trademark of E.I. du Pont de Nemours and Company | PortaCount is a registered trademark of TSI, Inc. | Bitrex is a registered trademark of Macfarlan Smith Ltd. MOTOROLA is a trademark of Motorola Trademark Holdings, LLC.

3M, Scott and Air-Pak are trademarks of 3M. Used under license in Canada.
© 2025, 3M. All rights reserved. All other trademarks are property of their respective owners. 2206-24343