



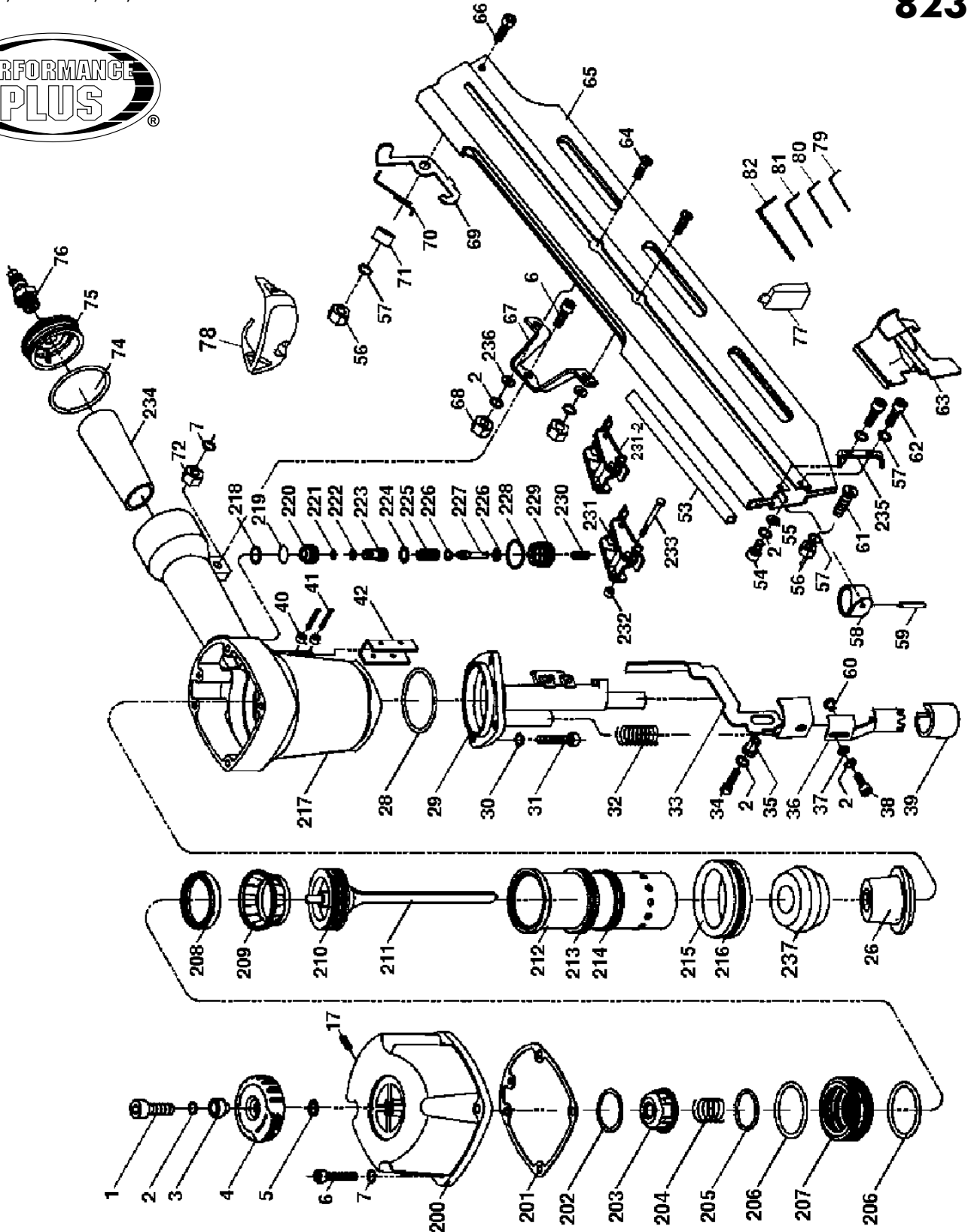
# Service Manual / Manuel de Service

## 34° Clipped Head Framing Nailer Kit Ens. Cloueuse de Charpente 34° à Tête Demi-Lune



Revised/Revisé 03/15/2018

8234N





## Parts Pricing List / Liste de Prix des Pièces

# 8234N

Diag.	Order # Com.	English Description	Description Française	Qty./Qté.	Price/Prix
1	70-82340010	CAP SCREW	BOULON A TETE CYLINDRIQUE	1	\$3.61
2	70-82340020	SPRING WASHER	RONDELLE A RESSORT	6	\$2.50
3	70-82340030	BUSHING	BAGUE	1	\$6.20
4	70-82340040	AIR DEFLECTOR	DEFLECTEUR A AIR	1	\$12.87
5	70-82340050	SEAL	JOINT D'ETANCHEITE	1	\$3.06
6	70-82340060	CAP SCREW	BOULON A TETE CYLINDRIQUE	5	\$4.45
7	70-82340070	SPRING WASHER	RONDELLE A RESSORT	5	\$2.50
17	70-82340170	SET SCREW	VIS SANS TETE	1	\$2.50
26	KW-106	BUMPER/DRIVER/O-RING REPL. KIT	TROUSSE DE REMP. TIGE/AMOR./JOINTS	1	-
28	KW-106	BUMPER/DRIVER/O-RING REPL. KIT	TROUSSE DE REMP. TIGE/AMOR./JOINTS	1	-
29	70-82340290	NOSE	NEZ	1	\$99.74
30	70-82340300	SPRING WASHER	RONDELLE A RESSORT	4	\$2.69
31	70-82340310	CAP SCREW	BOULON A TETE CYLINDRIQUE	4	\$4.32
32	70-82340320	SPRING	RESSORT	1	\$5.28
33	70-82340330	DEPTH ADJUST SIDE ARM	BRAS DE COTE DE LA PLAQUE	1	\$23.61
34	70-82340340	CAP SCREW	BOULON A TETE CYLINDRIQUE	1	\$3.61
35	70-82340350	BUSHING	BAGUE	1	\$4.91
36	70-82340360	DEPTH ADJUST PLATE	PLAQUE D'AJUSTEMENT	1	\$16.39
37	70-82340370	WASHER	RONDELLE	1	\$2.42
38	70-82340380	CAP SCREW	BOULON A TETE CYLINDRIQUE	1	\$2.69
39	70-82340390	PLASTIC PROTECTIVE TIP	PROTEGE NEZ EN PLASTIQUE	1	\$3.98
40	70-82340400	SEAL	JOINT D'ETANCHEITE	3	\$2.87
41	70-82340410	PIN	GOUPILLE	3	\$2.69
42	70-82340420	DEPTH PLATE GUIDE	GUIDE DE LA PLAQUE	1	\$6.76
53	70-82340530	RAIL	RAIL	1	\$8.42
54	70-82340540	CAP SCREW	BOULON A TETE CYLINDRIQUE	1	\$2.87
55	70-82340550	WASHER	RONDELLE	1	\$2.69
56	70-82340560	NUT	ECROU	2	\$2.50
57	70-82340570	WASHER	RONDELLE	5	\$2.50
58	70-82340580	COIL SPRING	RESSORT TORSADE	1	\$23.98
59	70-82340590	PIN	GOUPILLE	1	\$2.87
60	70-82340600	BUSHING	BAGUE	1	\$4.54
61	70-82340610	PAN HD. SCREW	VIS A TETE BOMBEE	1	\$2.50
62	70-82340620	CAP SCREW	BOULON A TETE CYLINDRIQUE	2	\$3.06
63	70-82340630	FEEDER SHOE	LOQUET	1	\$14.72
64	70-82340640	COUNTERSUNK SCREW	VIS A TETE FRAISEE	2	\$2.87
65	70-82340650	MAGAZINE	CHARGEUR	1	\$92.51
66	70-82340660	CAP SCREW	BOULON A TETE CYLINDRIQUE	1	\$3.24
67	70-82340670	SUPPORT	SUPPORT	1	\$21.58
68	70-82340680	NYLON HEX. NUT	ECROU HEXAGONAL AVEC NYLON	1	\$3.06
69	70-82340690	LOCK LEVER	LEVIER DE VERROUILLAGE	1	\$9.16
70	70-82340700	TORSION SPRING	RESSORT A TORSION	1	\$5.28
71	70-82340710	BUSHING	BAGUE	1	\$4.72
72	70-82340720	NUT	ECROU	1	\$3.43
74	KW-085	BUMPER/DRIVER/O-RING REPL. KIT	TROUSSE DE REMP. TIGE/AMOR./JOINTS	1	
75	70-82340750	END CAP	CAPUCHON ARRIERE	1	\$21.58
76	70-82340760	AIR INLET	PRISE D'AIR	1	\$7.13

Pricing subject to change without prior notice. / Prix sujet à changement sans préavis.



## Parts Pricing List / Liste de Prix des Pièces

# 8234N

Diag.	Order # Com.	English Description	Description Française	Qty./Qté.	Price/Prix
77	70-82340770	OIL BOTTLE	BOUTEILLE D'HUILE	1	\$6.94
78	70-82340780	SAFETY GLASSES	LUNETTES DE SECURITE	1	\$36.57
79	70-82340790	HEX. KEY (3MM)	CLE HEXAGONALE (3MM)	1	\$4.17
80	70-82340800	HEX. KEY (4MM)	CLE HEXAGONALE (4MM)	1	\$4.35
81	70-82340810	HEX. KEY (5MM)	CLE HEXAGONALE (5MM)	1	\$4.54
82	70-82340820	HEX. KEY (6MM)	CLE HEXAGONALE (6MM)	1	\$4.72
200	70-82342000	CYLINDER CAP	CAPUCHON DU CYLINDRE	1	\$74.00
201	70-82342010	GASKET	JOINT D'ETANCHEITE	1	\$7.31
202	KW-106	BUMPER/DRIVER/O-RING REPL. KIT	TROUSSE DE REMP. TIGE/AMOR./JOINTS	1	-
203	70-82342030	VALVE BASE	BASE DE LA VALVE	1	\$19.25
204	70-82342040	SPRING	RESSORT	1	\$7.97
205	KW-106	BUMPER/DRIVER/O-RING REPL. KIT	TROUSSE DE REMP. TIGE/AMOR./JOINTS	1	-
206	KW-106	BUMPER/DRIVER/O-RING REPL. KIT	TROUSSE DE REMP. TIGE/AMOR./JOINTS	2	-
207	70-82342070	VALVE	VALVE	1	\$36.96
208	70-82342080	CYLINDER SEAL	JOINT DU CYLINDRE	1	\$11.19
209	70-82342090	COLLAR	COLLIER	1	\$11.19
210	KW-106	BUMPER/DRIVER/O-RING REPL. KIT	TROUSSE DE REMP. TIGE/AMOR./JOINTS	1	-
211	KW-106	BUMPER/DRIVER/O-RING REPL. KIT	TROUSSE DE REMP. TIGE/AMOR./JOINTS	1	-
212	70-82342120	CYLINDER	CYLINDRE	1	\$56.29
213	KW-106	BUMPER/DRIVER/O-RING REPL. KIT	TROUSSE DE REMP. TIGE/AMOR./JOINTS	1	-
214	KW-106	BUMPER/DRIVER/O-RING REPL. KIT	TROUSSE DE REMP. TIGE/AMOR./JOINTS	1	-
215	70-82342150	RESTRICTIVE PLATE	PLAQUE DE RESTRICTION	1	\$20.86
216	KW-106	BUMPER/DRIVER/O-RING REPL. KIT	TROUSSE DE REMP. TIGE/AMOR./JOINTS	1	-
217	70-82342170	BODY W/RUBBER GRIP	CORPS A/POIGNEECAOUTCHOUC	1	\$112.66
218	KW-106	BUMPER/DRIVER/O-RING REPL. KIT	TROUSSE DE REMP. TIGE/AMOR./JOINTS	1	-
219	KW-106	BUMPER/DRIVER/O-RING REPL. KIT	TROUSSE DE REMP. TIGE/AMOR./JOINTS	1	-
220	70-82342200	VALVE	VALVE	1	\$7.97
221	KW-106	BUMPER/DRIVER/O-RING REPL. KIT	TROUSSE DE REMP. TIGE/AMOR./JOINTS	1	-
222	KW-106	BUMPER/DRIVER/O-RING REPL. KIT	TROUSSE DE REMP. TIGE/AMOR./JOINTS	1	-
223	70-82342230	TRIGGER VALVE HEAD	VALVE DE LA GACHETTE	1	\$9.58
224	KW-106	BUMPER/DRIVER/O-RING REPL. KIT	TROUSSE DE REMP. TIGE/AMOR./JOINTS	1	-
225	70-82342250	SPRING	RESSORT	1	\$4.75
226	KW-106	BUMPER/DRIVER/O-RING REPL. KIT	TROUSSE DE REMP. TIGE/AMOR./JOINTS	2	-
227	70-82342270	TRIGGER VALVE STEM	TIGE DE LA VALVE	1	\$6.36
228	KW-106	BUMPER/DRIVER/O-RING REPL. KIT	TROUSSE DE REMP. TIGE/AMOR./JOINTS	1	-
229	70-82342290	TRIGGER VALVE GUIDE	GUIDE DE LA VALVE	1	\$9.58
230	70-82342300	SPRING	RESSORT	1	\$4.75
231	70-82342310	BUMP FIRE TRIGGER (BLACK)	GACHETTE DECLENCHEM. CONTINU	1	\$7.97
231-2	70-82342312	SEQUENTIAL FIRE TRIGGER (RED)	GACHETTE EXPULSION SIMPLE	1	\$7.97
232	70-82342320	SEAL	JOINT D'ETANCHEITE	1	\$4.75
233	70-82342330	PIN	GOUPILLE	1	\$2.69
235	70-82342350	BLOCK	BLOC	1	\$7.97
236	70-82342360	WASHER	RONDELLE	2	\$2.69
237	KW-106	BUMPER/DRIVER/O-RING REPL. KIT	TROUSSE DE REMP. TIGE/AMOR./JOINTS	1	-
	70-8234MBIL	8234N BILINGUAL MANUAL	8234N MANUEL BILINGUE	1	\$24.17